

US00D677293S

(12) **United States Design Patent**
Andersson

(10) **Patent No.:** **US D677,293 S**
(45) **Date of Patent:** **** Mar. 5, 2013**

(54) **GEAR DRIVE**

(75) Inventor: **Jan Andersson**, Erlangen (DE)

(73) Assignee: **Siemens Aktiengesellschaft**, München (DE)

(**) Term: **14 Years**

(21) Appl. No.: **29/403,892**

(22) Filed: **Oct. 12, 2011**

(51) **LOC (9) Cl.** **15-99**

(52) **U.S. Cl.** **D15/148**

(58) **Field of Classification Search** D15/5,
D15/148, 149, 199; 74/395, 464; 280/5.5-5.524;
427/249.19; 428/408; 475/83, 331-335,
475/344, 345, 901

See application file for complete search history.

(56) **References Cited**

U.S. PATENT DOCUMENTS

| | | | | |
|----------------|---------|----------------|-------|---------|
| D368,919 S * | 4/1996 | Lannoch | | D15/148 |
| D406,596 S * | 3/1999 | Ziegler et al. | | D15/148 |
| D410,659 S * | 6/1999 | Lannoch | | D15/148 |
| D414,790 S * | 10/1999 | Lannoch | | D15/148 |
| D416,922 S * | 11/1999 | Lannoch | | D15/148 |
| D417,229 S * | 11/1999 | Lannoch | | D15/148 |
| 6,432,022 B1 * | 8/2002 | Bayer | | 475/331 |
| D479,541 S * | 9/2003 | Lannoch | | D15/148 |
| D479,543 S * | 9/2003 | Lannoch | | D15/148 |

| | | | | |
|-------------------|--------|-----------------|-------|---------|
| D479,725 S * | 9/2003 | Lannoch | | D15/148 |
| D514,607 S * | 2/2006 | Wittenstein | | D15/148 |
| D527,739 S * | 9/2006 | De Luca et al. | | D15/5 |
| D529,059 S * | 9/2006 | Lin | | D15/148 |
| 7,182,709 B2 * | 2/2007 | Christ et al. | | 475/348 |
| D571,837 S * | 6/2008 | Lannoch | | D15/148 |
| D598,938 S * | 8/2009 | Mijno | | D15/148 |
| D613,770 S * | 4/2010 | Kitamura et al. | | D15/7 |
| D619,631 S * | 7/2010 | Otsuka | | D15/149 |
| D654,092 S * | 2/2012 | Lugli et al. | | D15/5 |
| 2004/0166986 A1 * | 8/2004 | Bayer et al. | | 475/331 |

* cited by examiner

Primary Examiner — Patricia Palasik

(74) *Attorney, Agent, or Firm* — Henry M. Feiereisen LLC

(57) **CLAIM**

The ornamental design for a gear drive, as shown and described.

DESCRIPTION

FIG. 1 is a front elevational view showing my new design;
FIG. 2 is a rear elevational view thereof;
FIG. 3 is a top plan view thereof;
FIG. 4 is bottom plan view thereof;
FIG. 5 is a left side elevational view thereof;
FIG. 6 is a right side elevational view thereof;
FIG. 7 is a front, top and right side perspective view thereof;
and,
FIG. 8 is a left side, front and bottom perspective thereof.

1 Claim, 8 Drawing Sheets

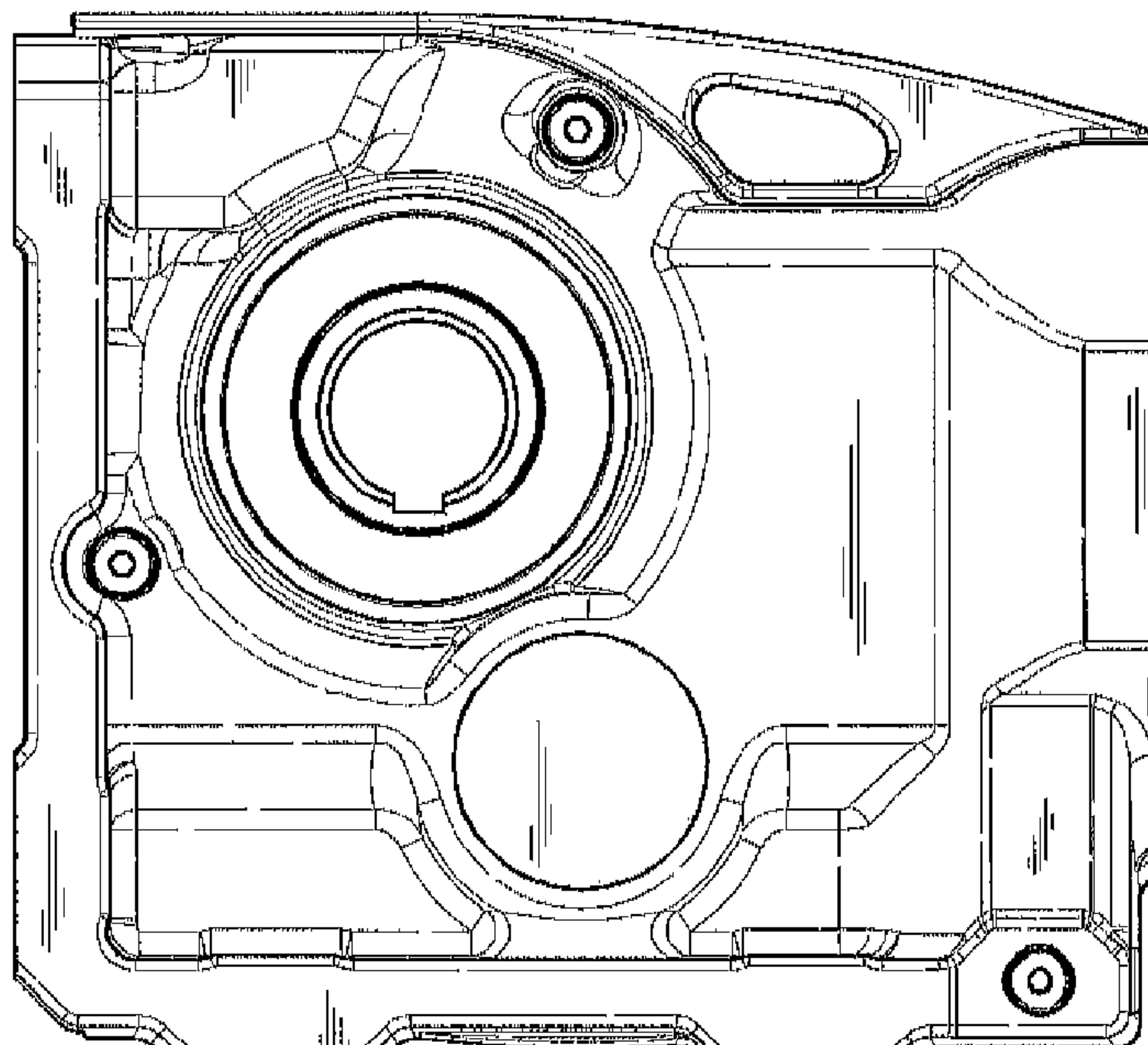


FIG. 1

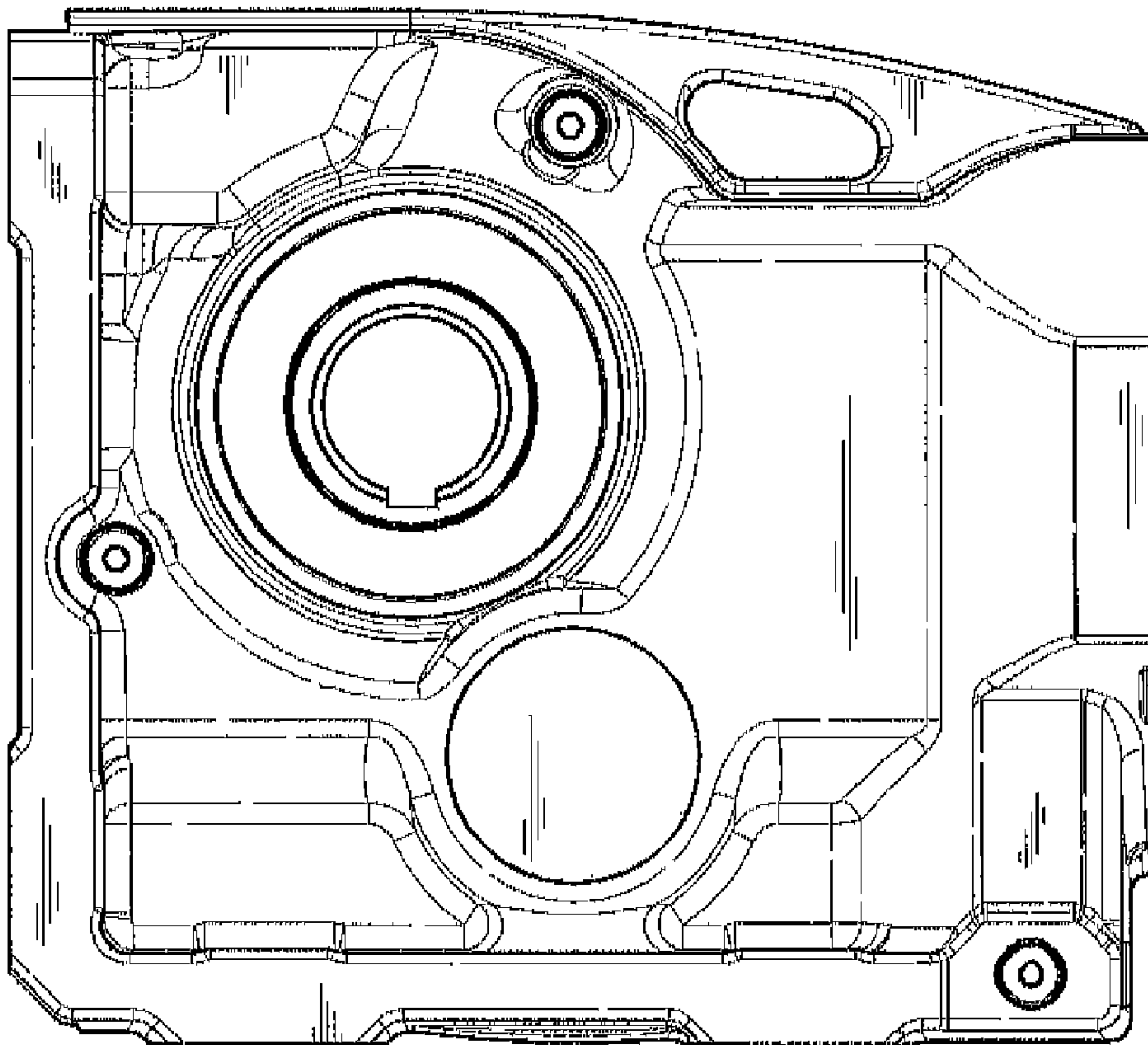


FIG 2

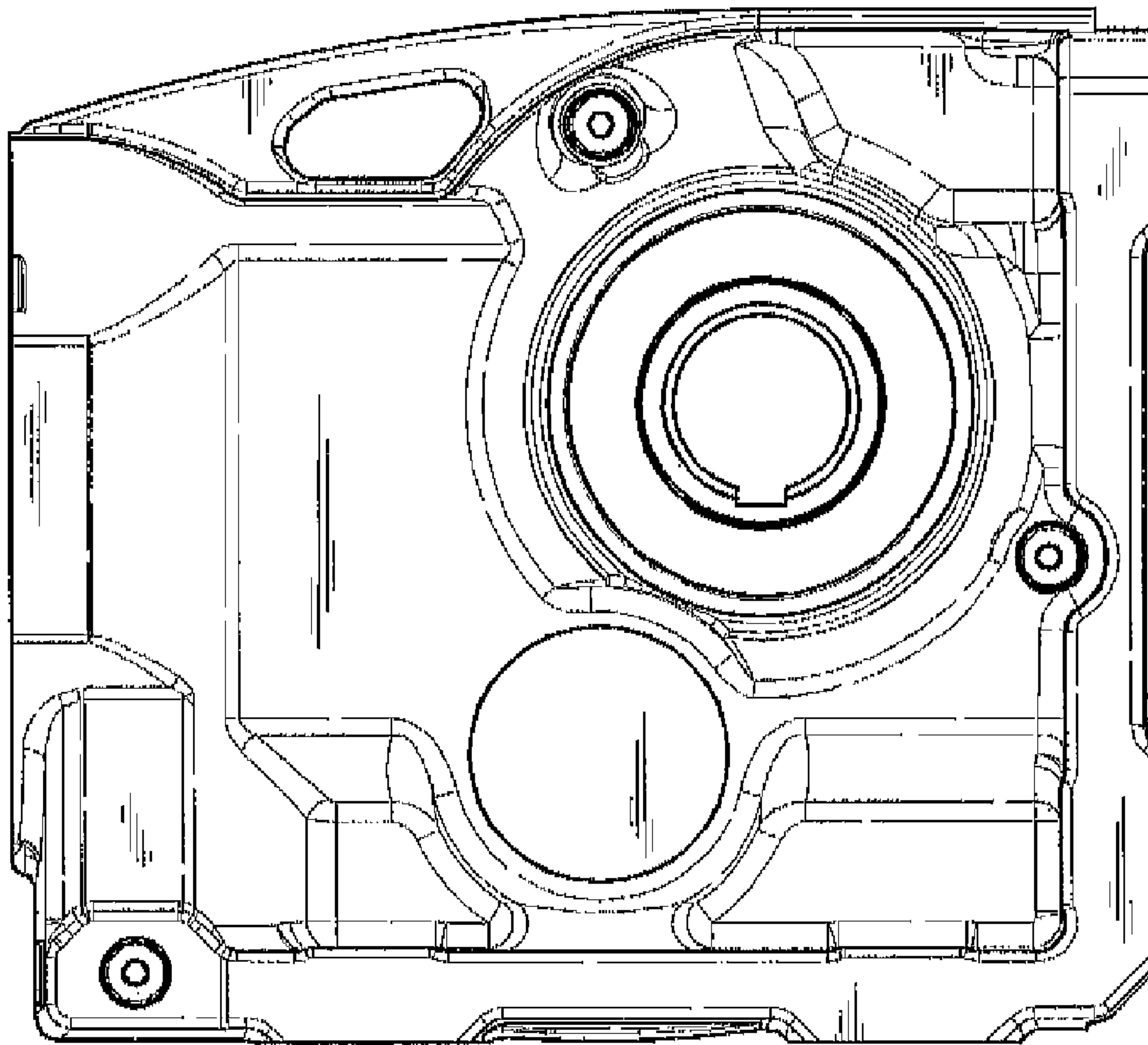


FIG 3

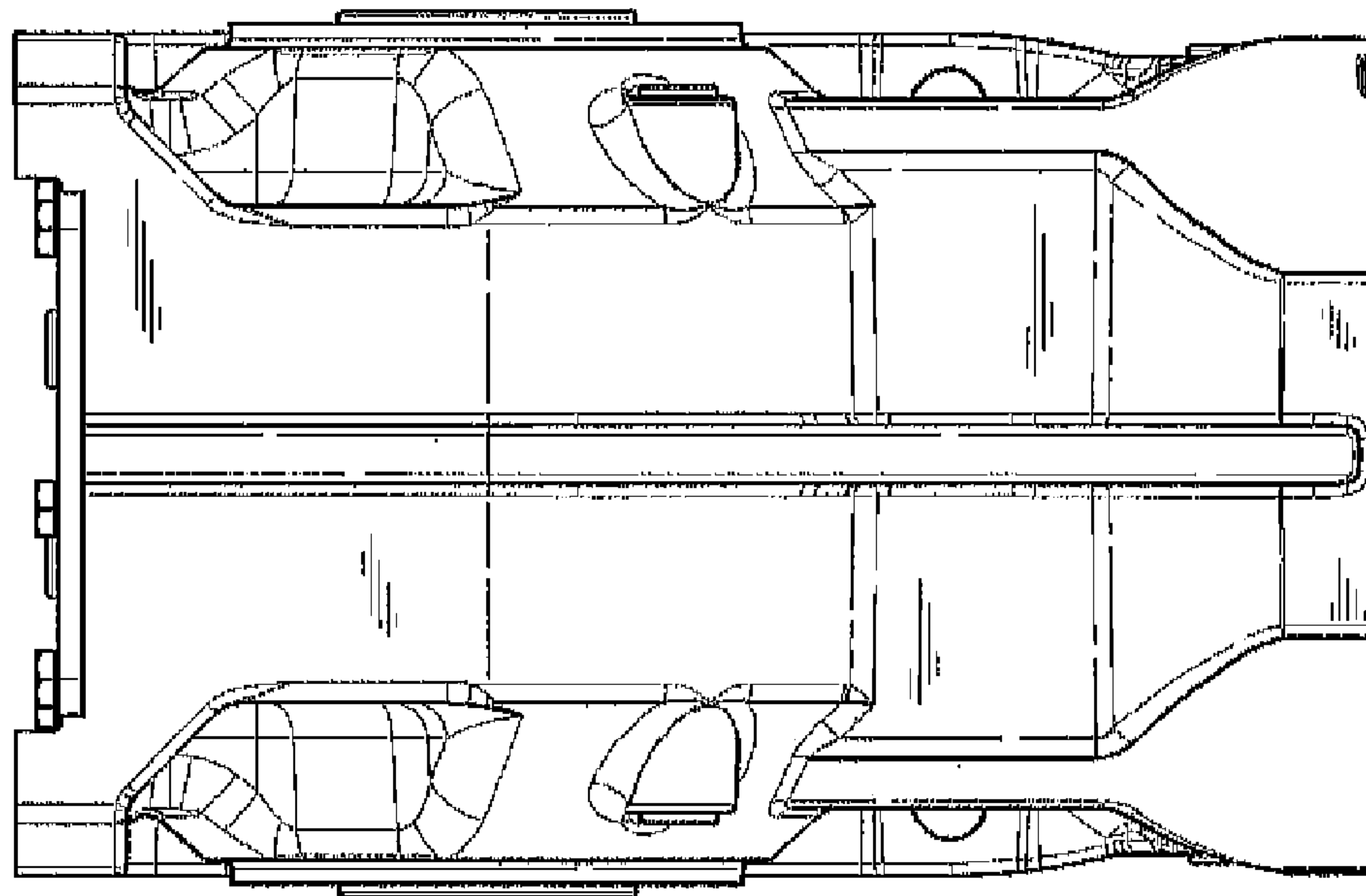


FIG 4

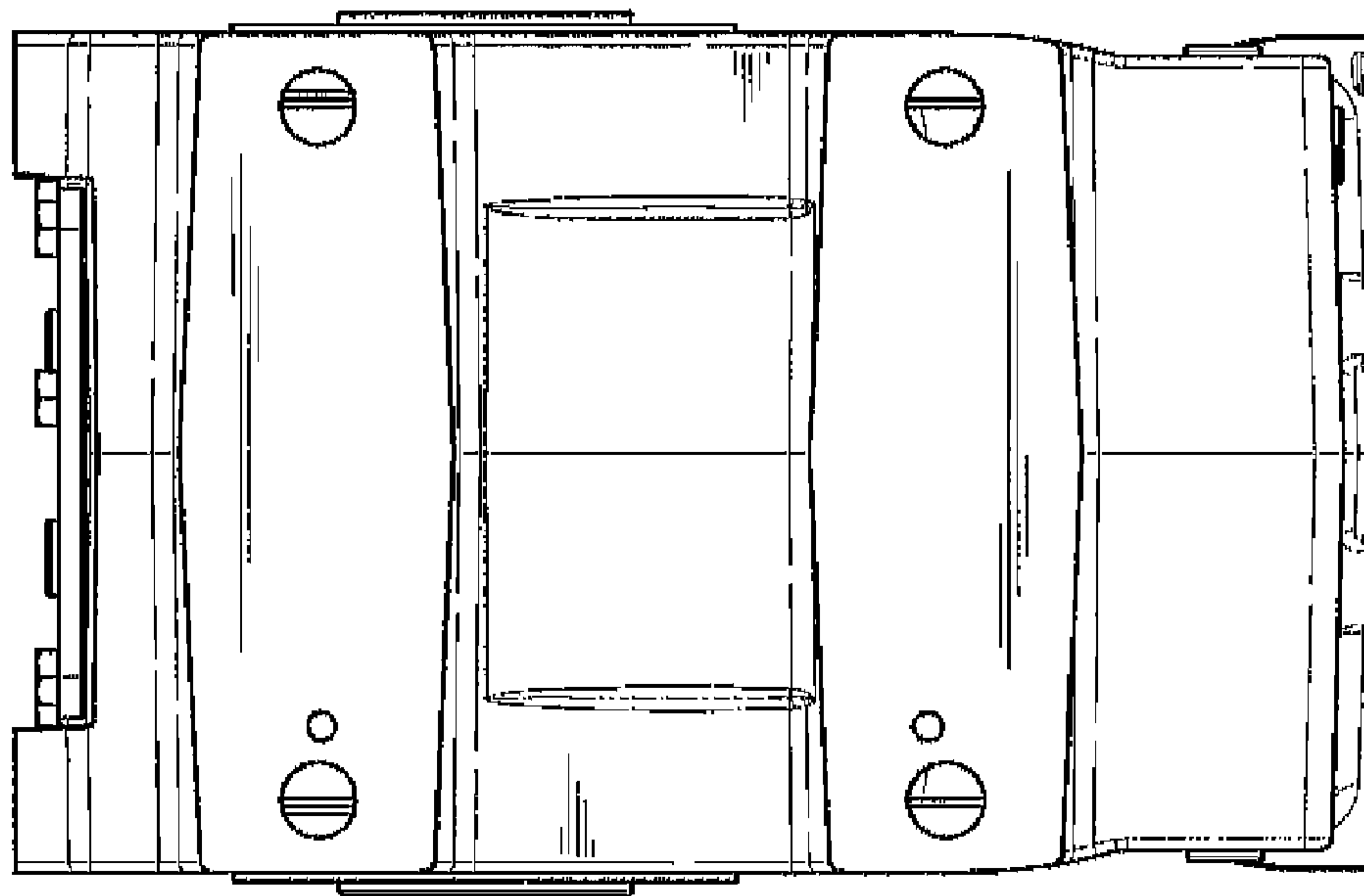


FIG 5

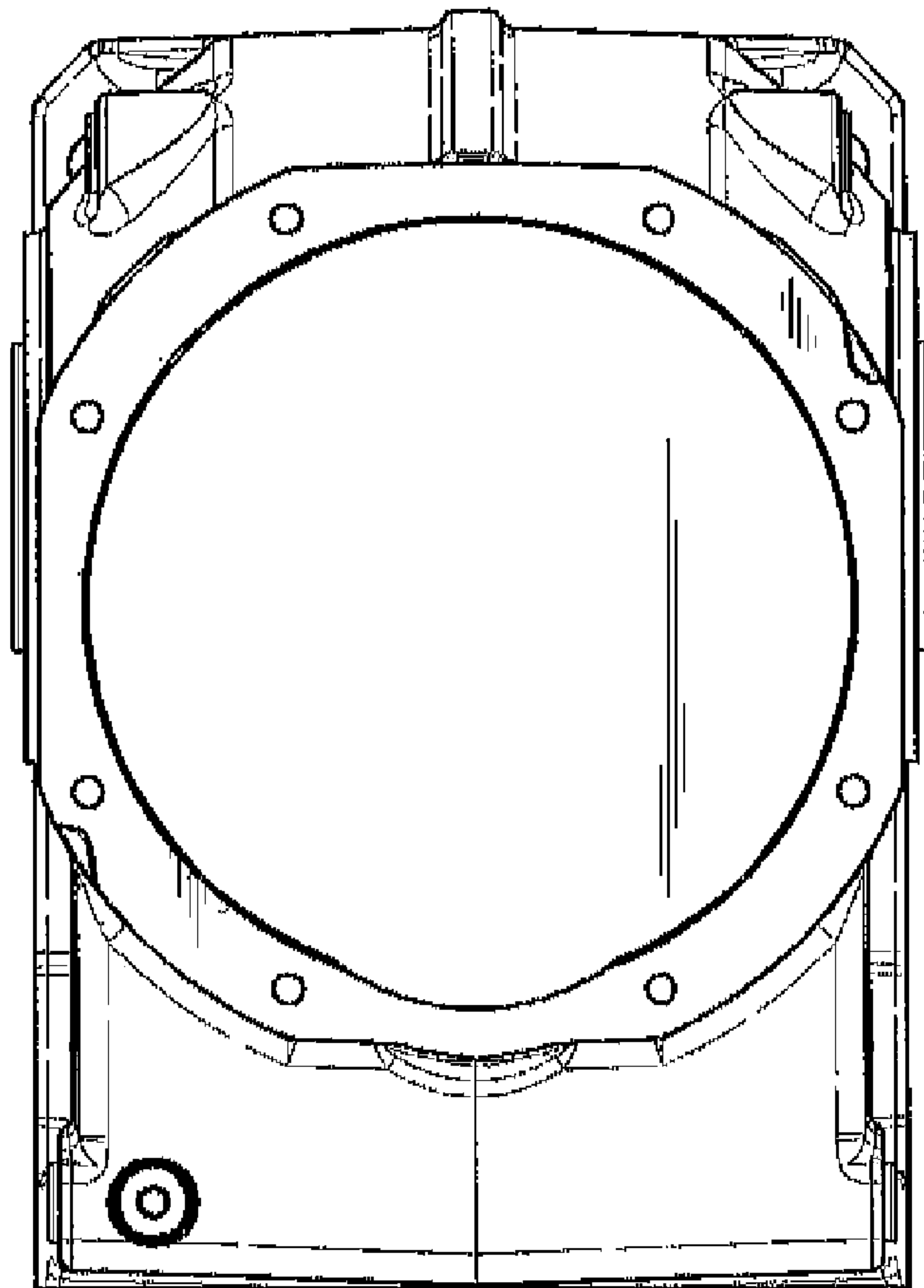


FIG 6

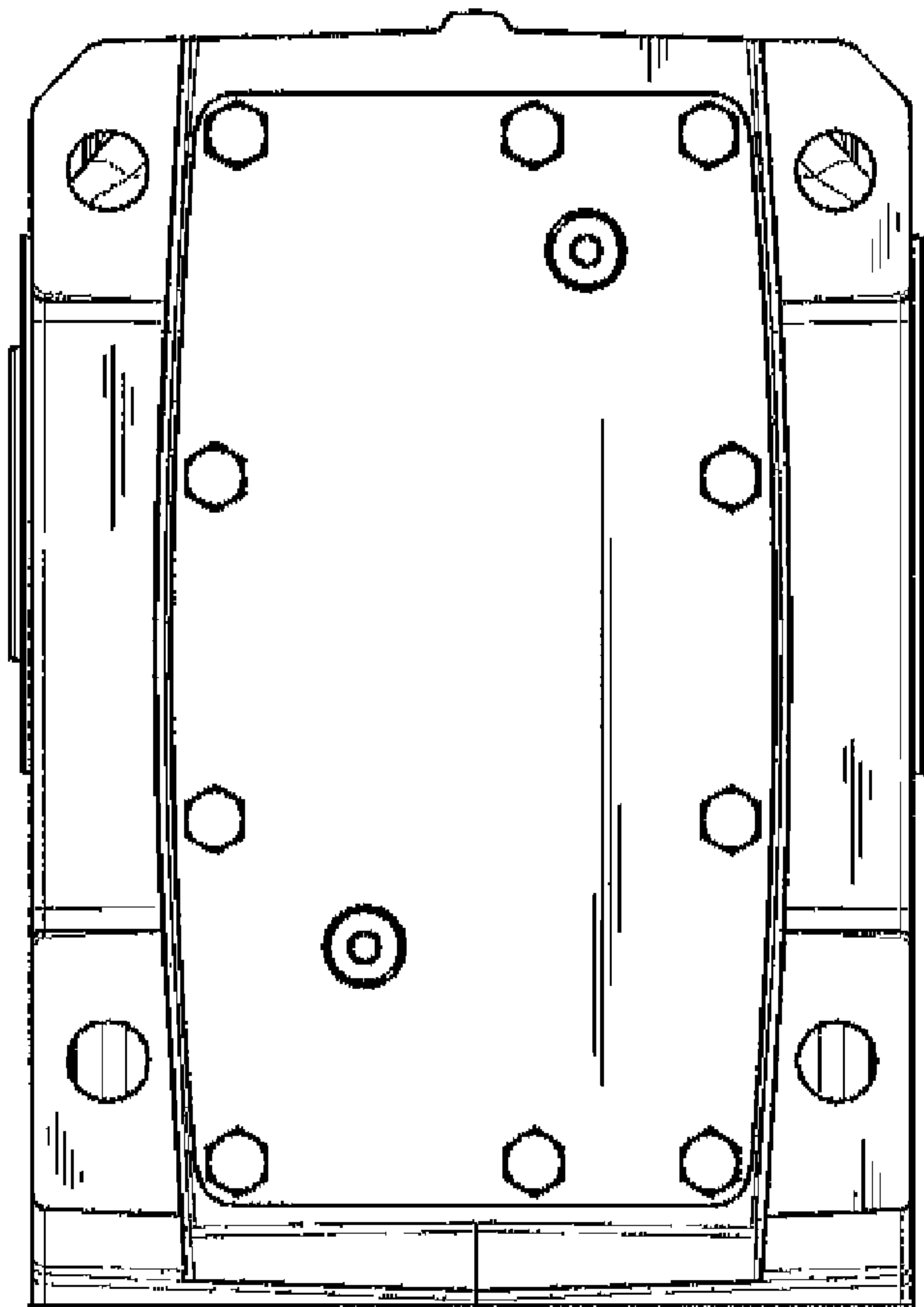


FIG 7

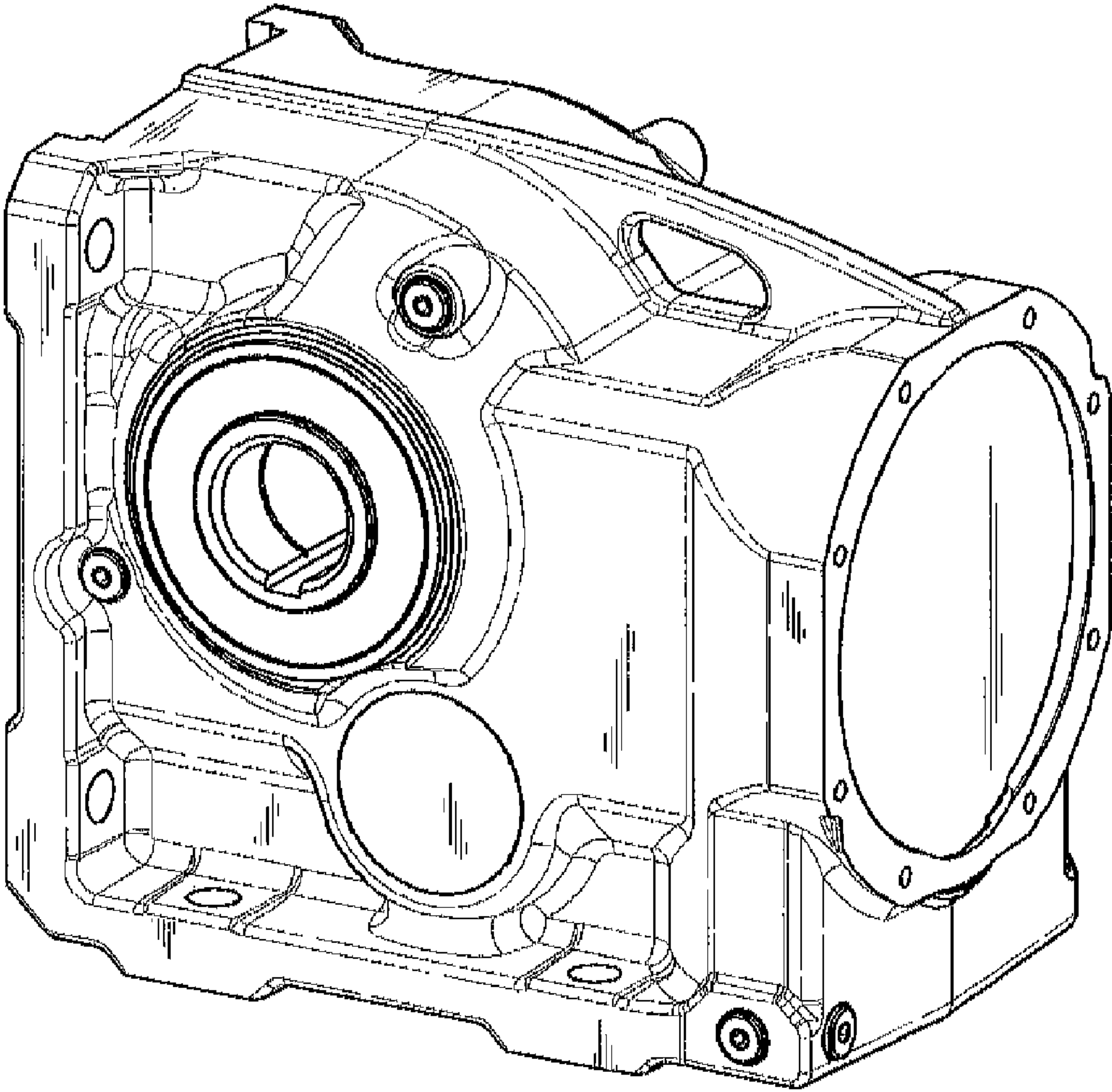


FIG 8

