

US00D677292S

(12) **United States Design Patent**
Barnes

(10) **Patent No.:** **US D677,292 S**
(45) **Date of Patent:** **** Mar. 5, 2013**

(54) **DEBRIS COLLECTOR FOR VERTICAL DRILLING**

(76) Inventor: **Dean Kevin Barnes**, Tadworth (GB)

(**) Term: **14 Years**

(21) Appl. No.: **29/393,866**

(22) Filed: **Jun. 10, 2011**

(30) **Foreign Application Priority Data**

Dec. 13, 2010 (EM) 001792847-0001

(51) **LOC (9) Cl.** **15-09**

(52) **U.S. Cl.** **D15/138; D15/132**

(58) **Field of Classification Search** D8/61-71,
D8/90, 363; D15/124-126, 132, 138-140;
51/270; 83/665; 144/252; 145/116; 173/75;
175/209, 211; 408/58, 67, 72, 204, 206,
408/207, 209; 451/47, 56, 324, 342, 347-349,
451/357-360, 364, 388, 406, 420-423, 451,
451/547-549

See application file for complete search history.

(56) **References Cited**

U.S. PATENT DOCUMENTS

3,536,149 A * 10/1970 Laird 175/209
3,882,644 A * 5/1975 Cusumano 451/359
D262,032 S * 11/1981 Totsu D15/138
5,125,190 A * 6/1992 Buser et al. 451/456
D334,330 S * 3/1993 Moshammer D8/70

6,193,448 B1 * 2/2001 Brennan 408/67
6,447,387 B1 * 9/2002 Tseng 451/456
6,457,915 B1 * 10/2002 Kao 408/67
D499,625 S * 12/2004 Stirm D8/70
6,896,605 B2 * 5/2005 Ohlendorf 451/454
D542,312 S * 5/2007 Skradski et al. D15/138
D543,563 S * 5/2007 Skradski et al. D15/138
D575,311 S * 8/2008 Konecny D15/138
D614,678 S * 4/2010 Jorgensen et al. D15/138
7,736,098 B2 * 6/2010 Sykora 406/197
8,133,094 B2 * 3/2012 Loveless et al. 451/28
8,282,447 B1 * 10/2012 Buser 451/451
2005/0013674 A1 * 1/2005 Vidal 408/67

* cited by examiner

Primary Examiner — Patricia Palasik

(74) *Attorney, Agent, or Firm* — Collen IP; Donald J. Ranft

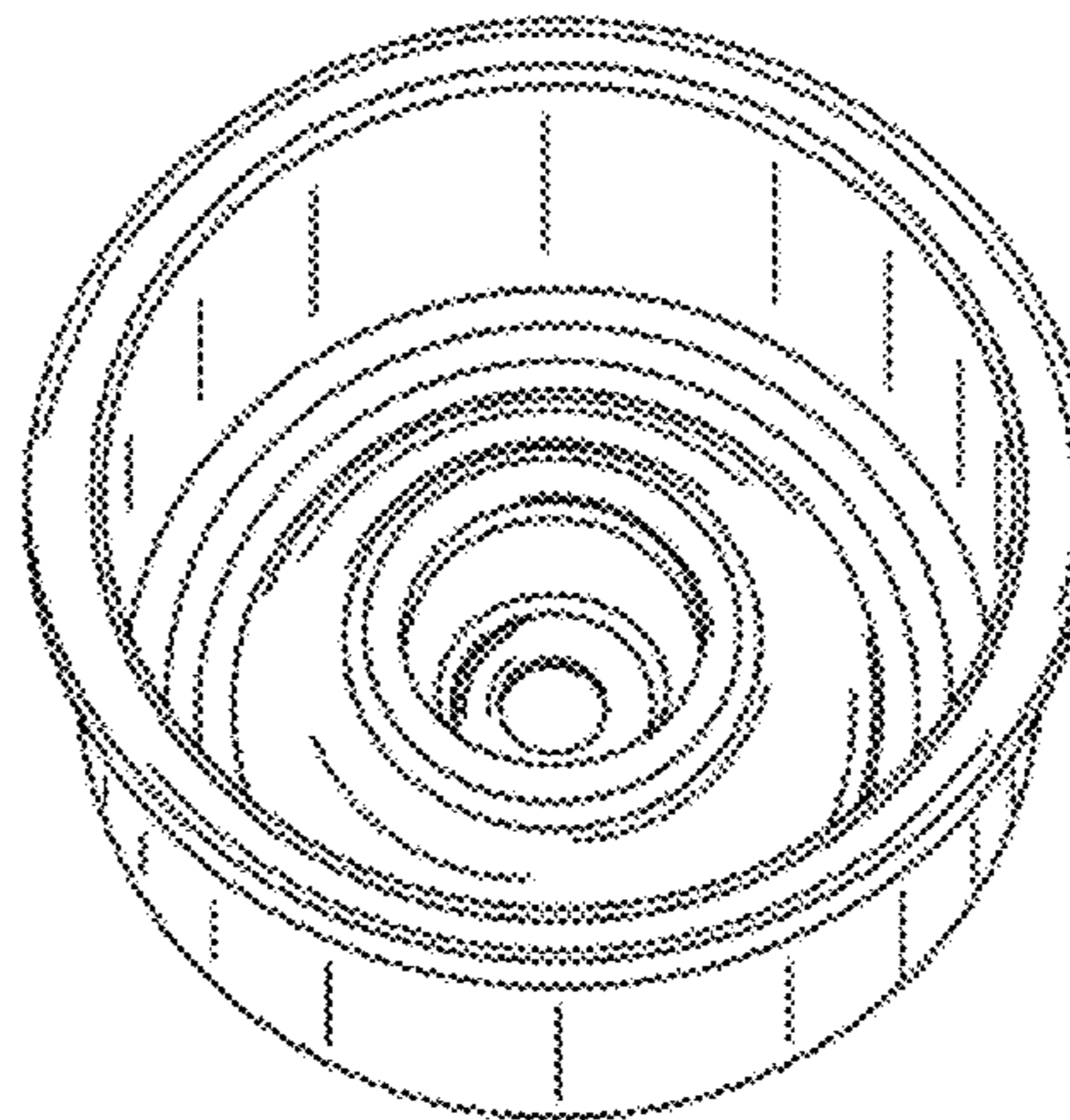
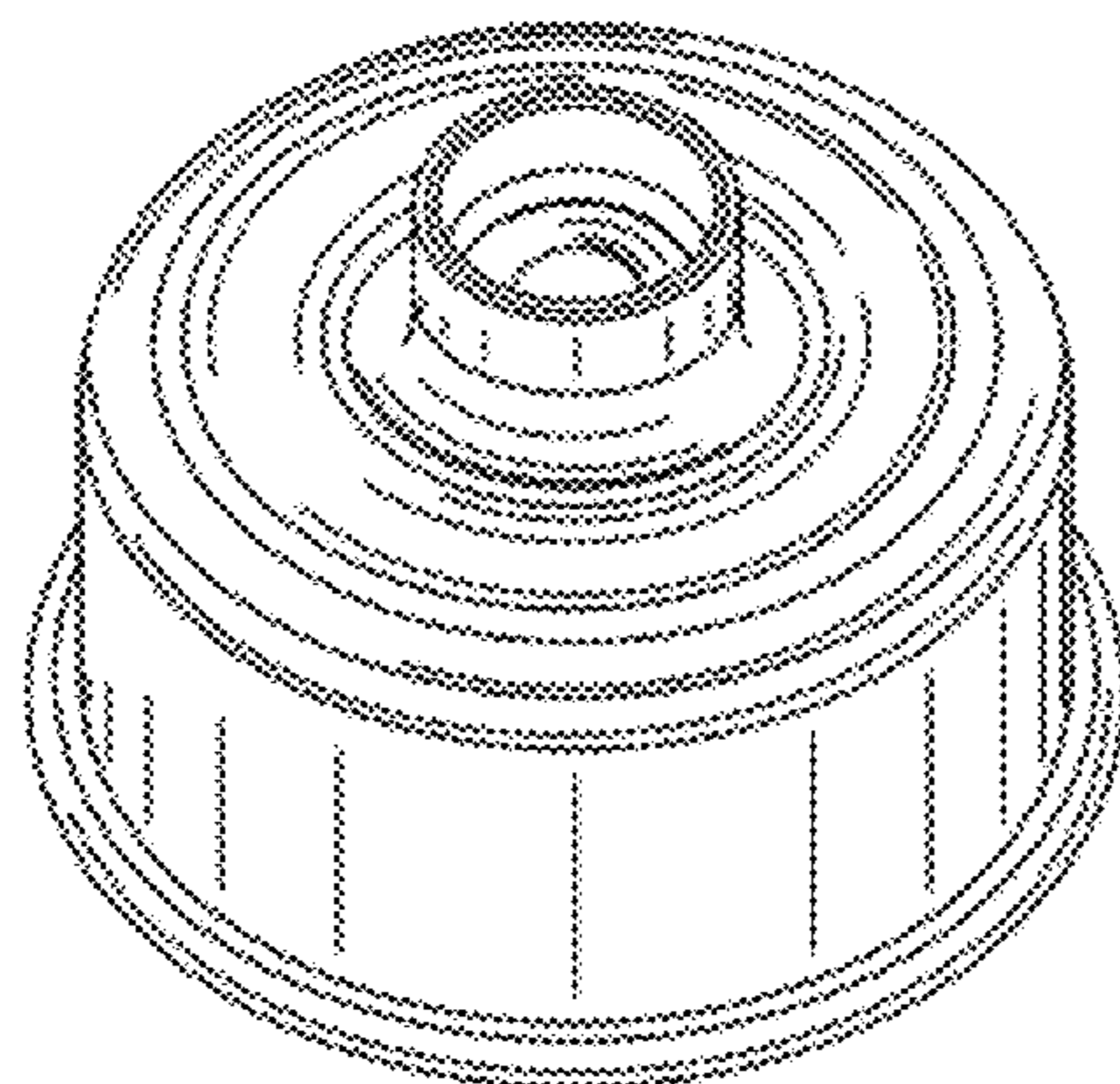
(57) **CLAIM**

The ornamental design for a debris collector for vertical drilling, as shown.

DESCRIPTION

FIG. 1 is a perspective view of the bottom of a debris collector for vertical drilling showing our new design; FIG. 2 is a top perspective view thereof; FIG. 3 is a bottom perspective view thereof; FIG. 4 is a bottom view thereof; FIG. 5 is a top view thereof; and, FIG. 6 is a side view thereof.

1 Claim, 2 Drawing Sheets



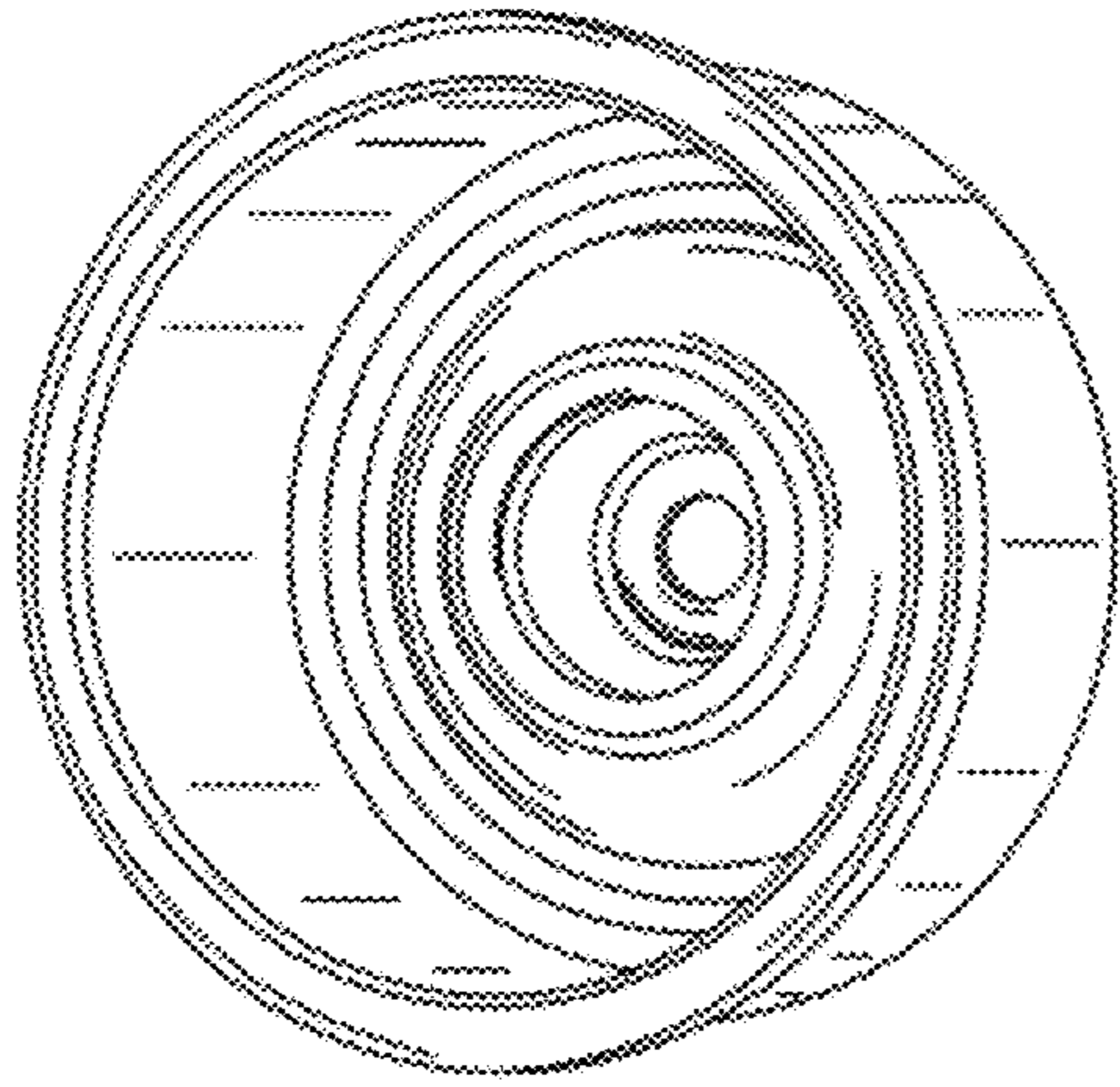


FIG. 2

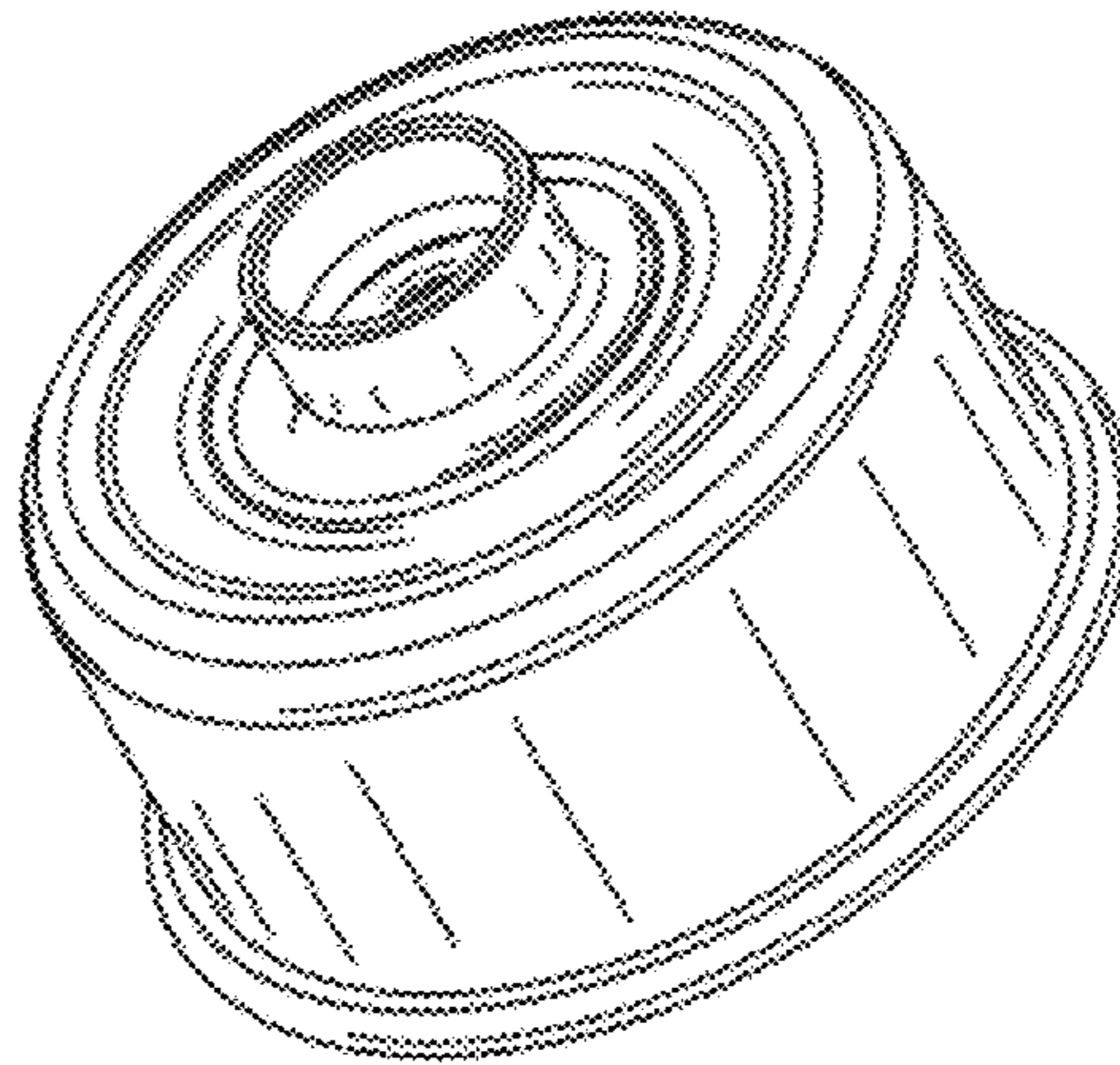


FIG. 3

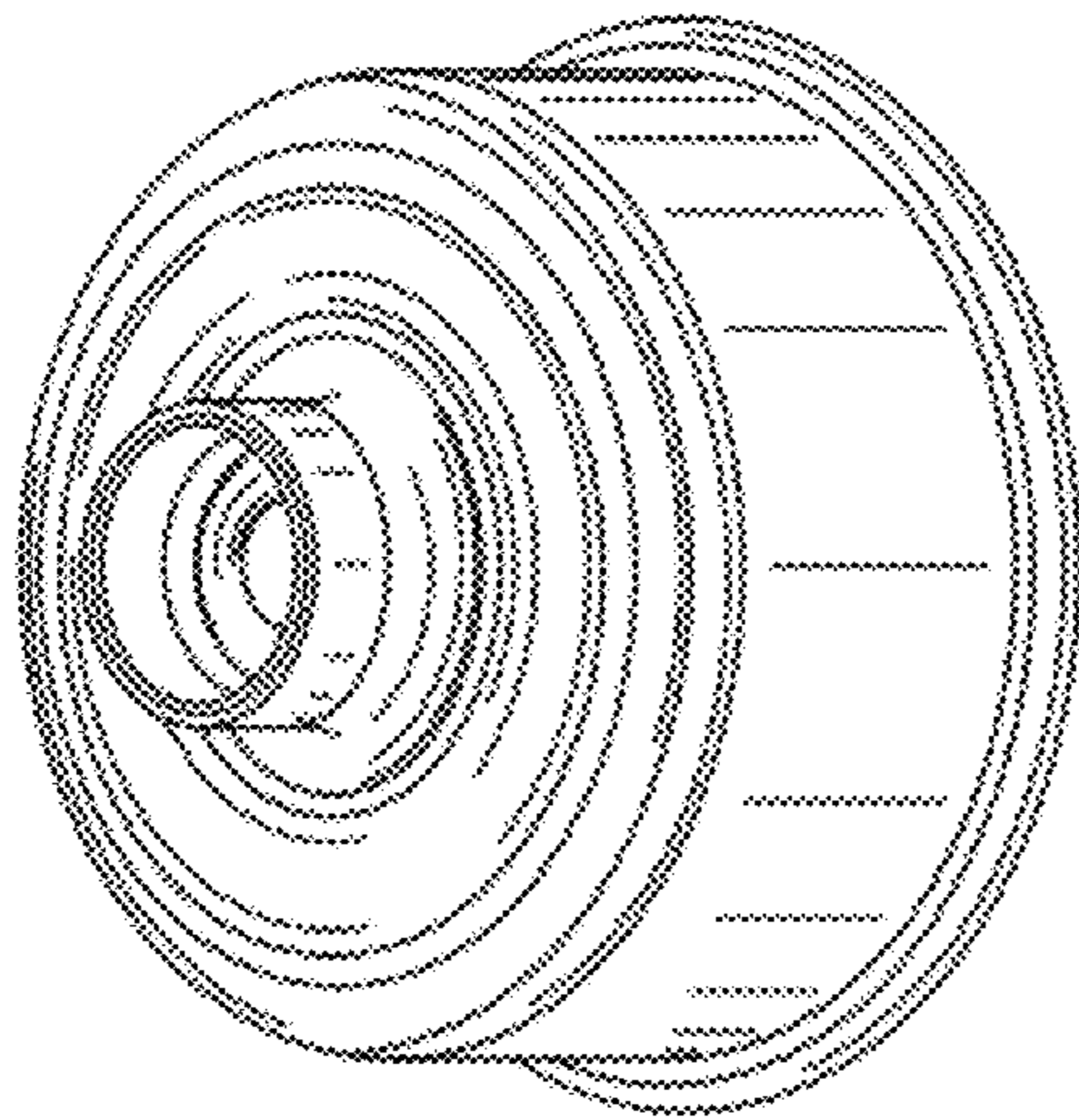


FIG. 1

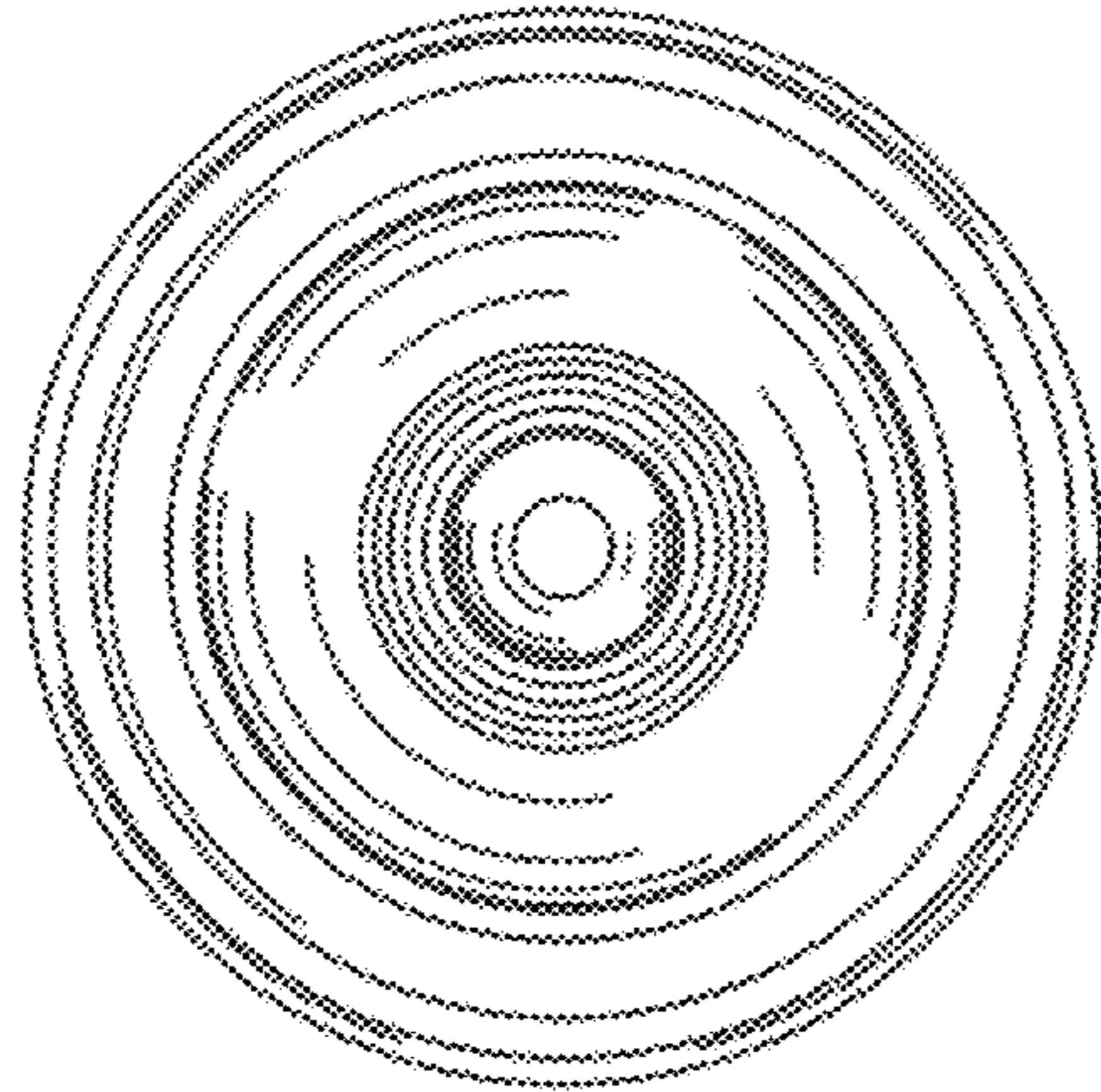


FIG. 5

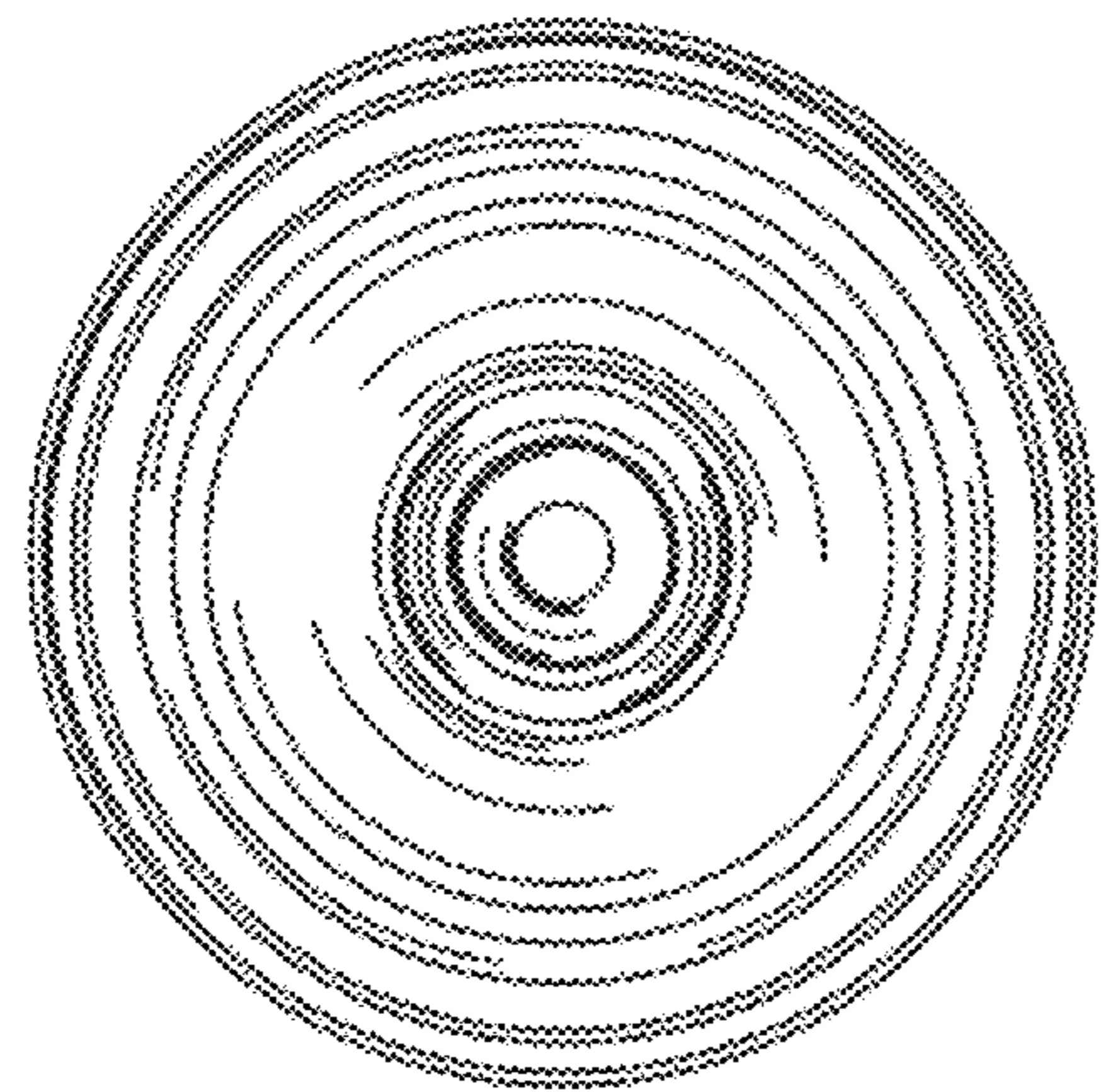


FIG. 4

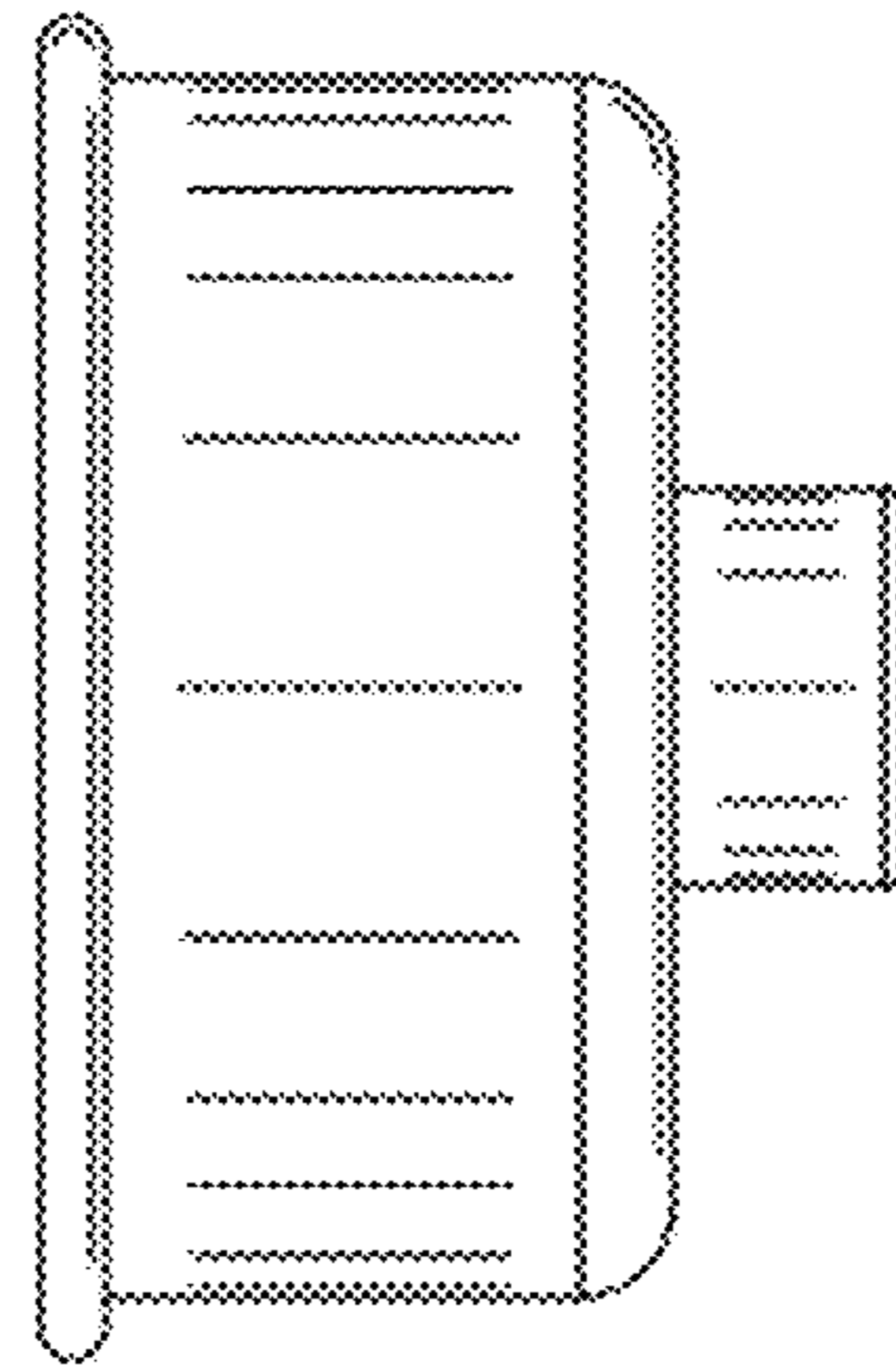


FIG. 6