



US00D677289S

(12) **United States Design Patent**
Seo et al.

(10) **Patent No.:** **US D677,289 S**
(45) **Date of Patent:** **** Mar. 5, 2013**

(54) **FOOD STORAGE DRAWER FOR REFRIGERATOR**

(75) Inventors: **Woonkyu Seo**, Seoul (KR); **Daesung Lee**, Gyeonggi-do (KR); **Youngsoo Ha**, Seoul (KR); **Sunil Cho**, Gyeonggi-do (KR)

(73) Assignee: **LG Electronics Inc.**, Seoul (KR)

(**) Term: **14 Years**

(21) Appl. No.: **29/401,667**

(22) Filed: **Sep. 14, 2011**

(30) **Foreign Application Priority Data**

Mar. 17, 2011 (KR) 30-2011-0010788

(51) **LOC (9) Cl.** **15-07**

(52) **U.S. Cl.** **D15/90**

(58) **Field of Classification Search** D15/79-89;
62/3.6, 125, 126, 187; 312/116, 138.1, 236,
312/400-408; 211/71, 84, 11, 90.01, 153,
211/194

See application file for complete search history.

(56) **References Cited**

U.S. PATENT DOCUMENTS

D286,730 S * 11/1986 Tzifkansky et al. D15/89
D612,872 S * 3/2010 Baacke et al. D15/89

* cited by examiner

Primary Examiner — Mitchell Siegel

(74) *Attorney, Agent, or Firm* — Morgan, Lewis & Bockius LLP

(57) **CLAIM**

The ornamental design for a food storage drawer for refrigerator, as shown and described.

DESCRIPTION

FIG. 1 is a perspective view of a food storage drawer for refrigerator showing our new design; FIG. 2 is a front view thereof; FIG. 3 is a rear view thereof; FIG. 4 is a left side view thereof where the right side view is a mirror image; FIG. 5 is a top plan view thereof; FIG. 6 is a bottom plan view thereof; FIG. 7 is a perspective view thereof with the lid being shown in an alternate position; and, FIG. 8 is a perspective view thereof showing the state that the food storage drawers have been installed in a refrigerator. The broken lines shown in FIG. 8 are for illustrative purposes only and form no part of the claimed design.

1 Claim, 7 Drawing Sheets

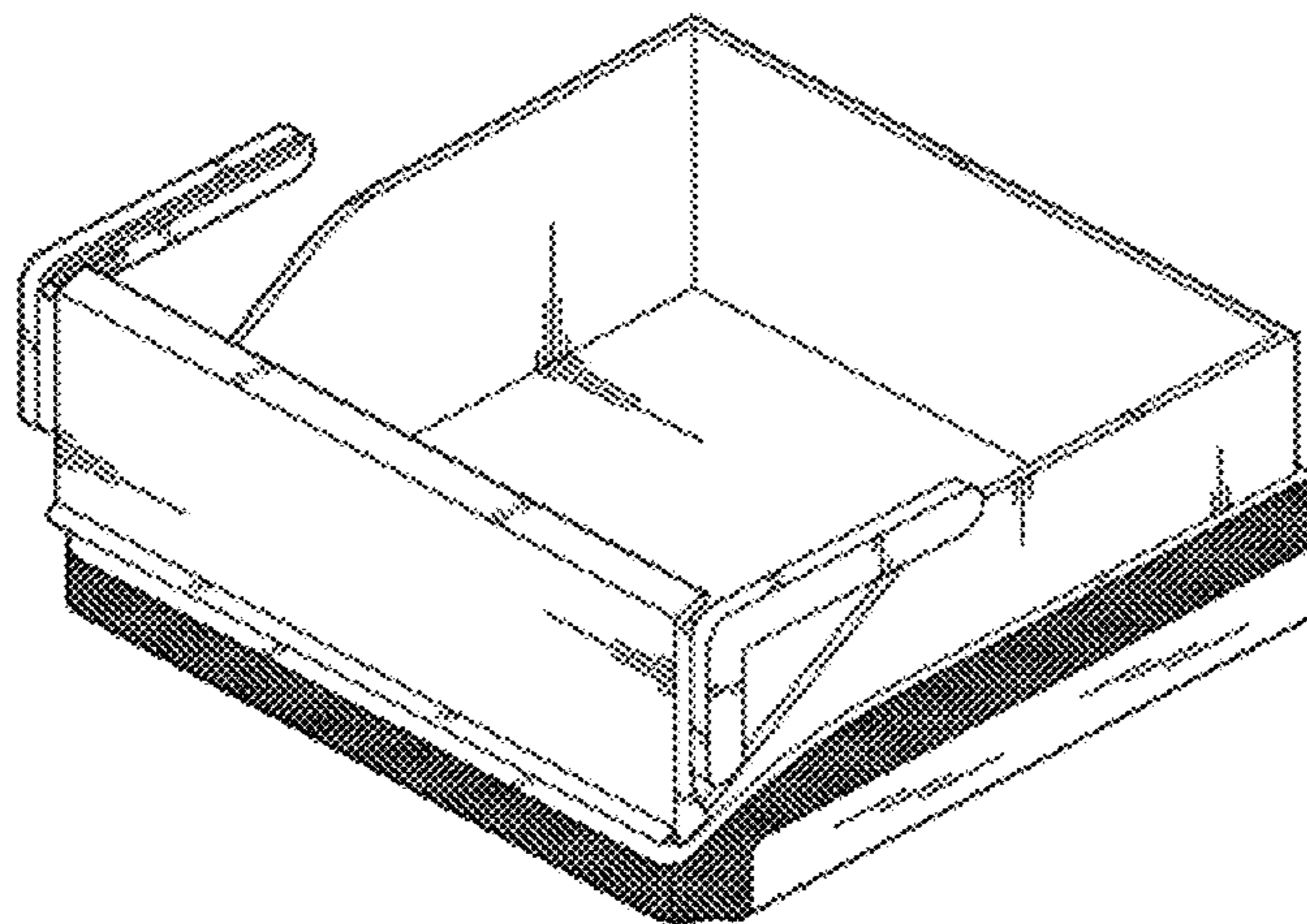


FIG. 1

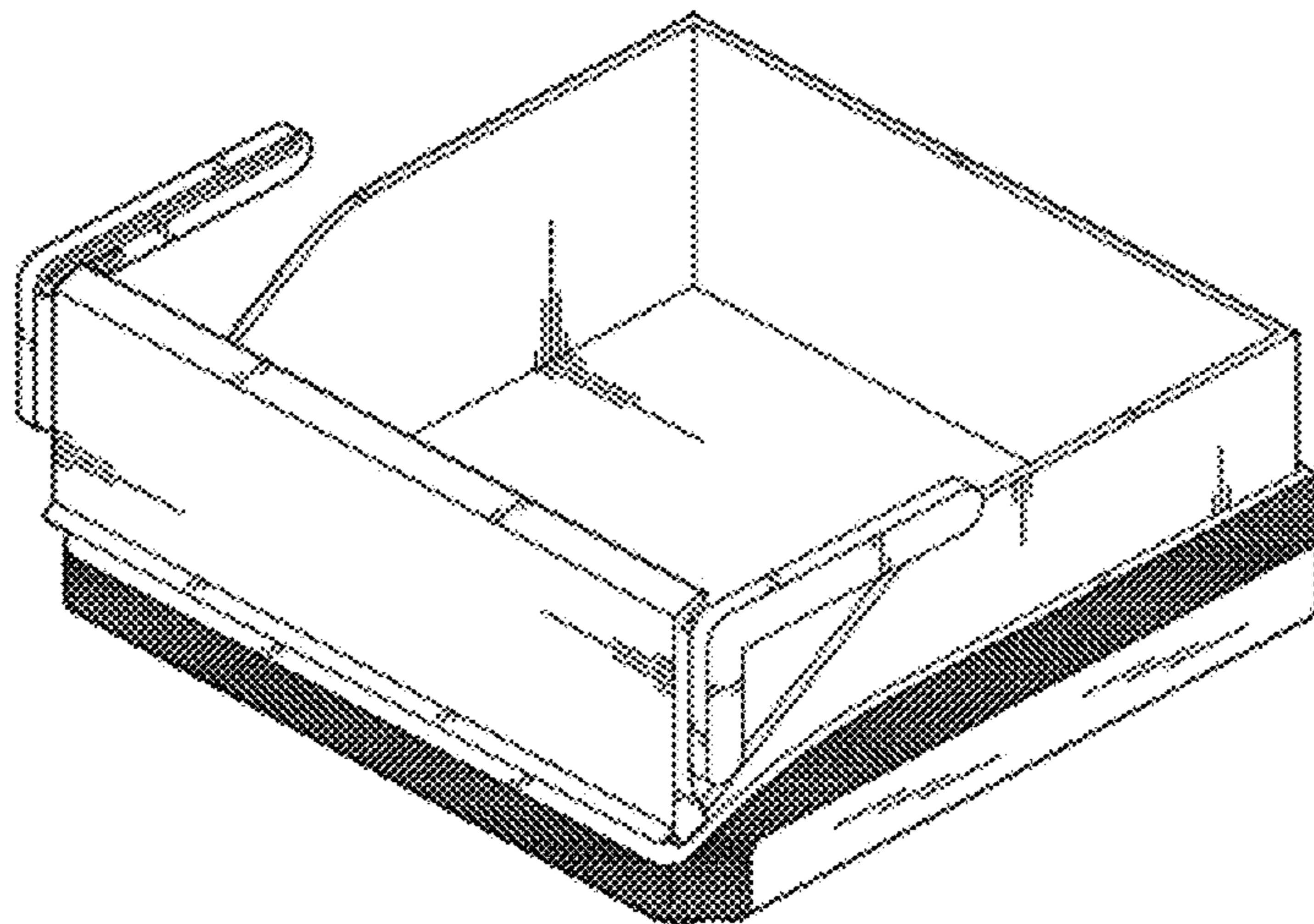


FIG. 2

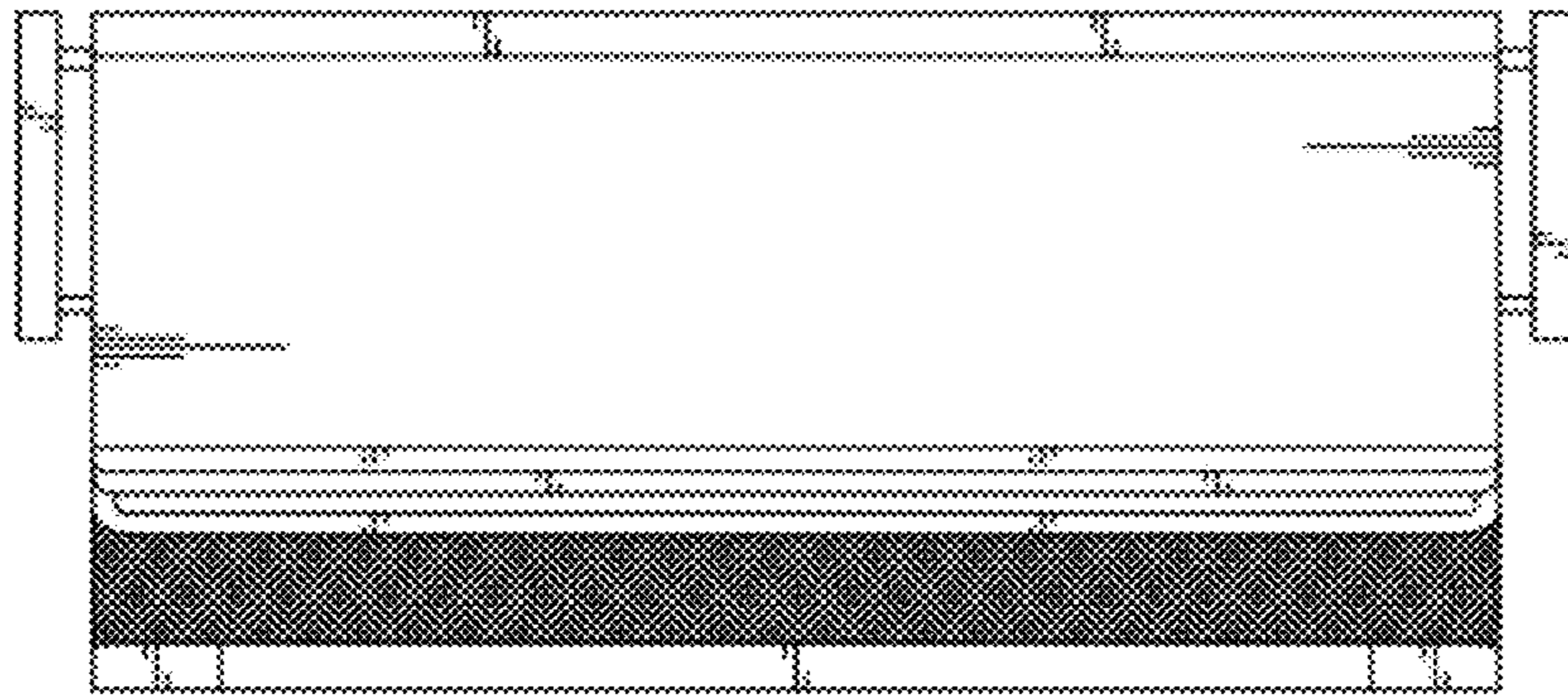


FIG. 3

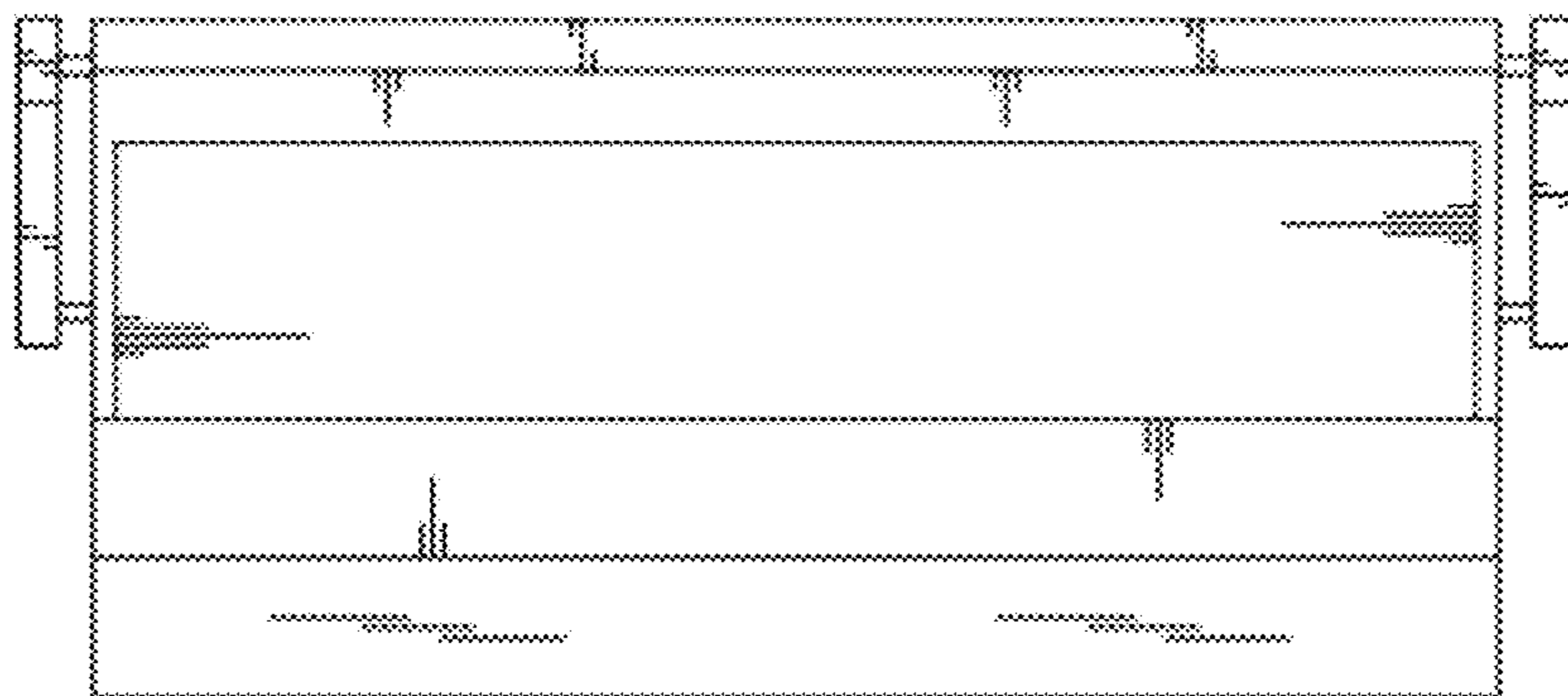


FIG. 4

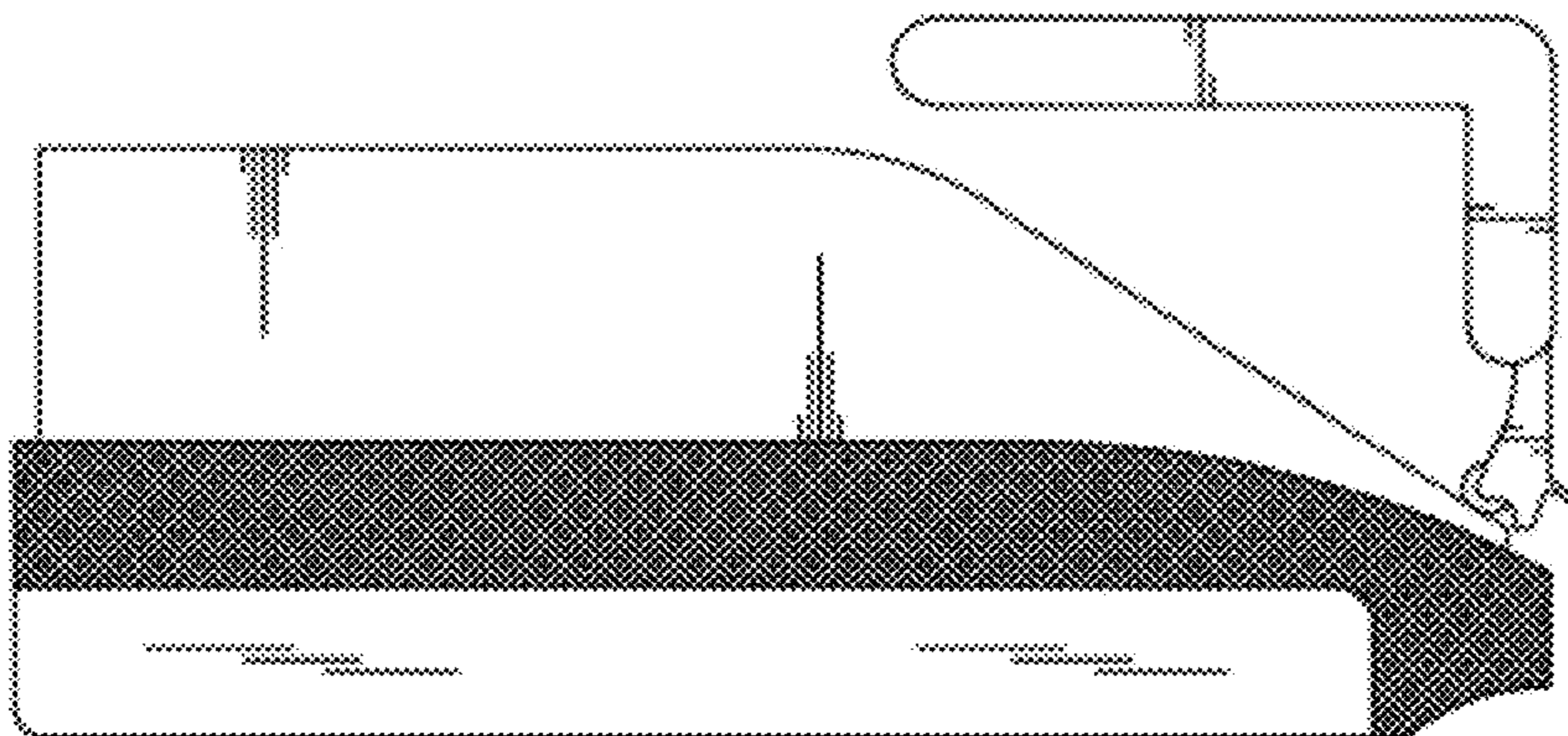


FIG. 5

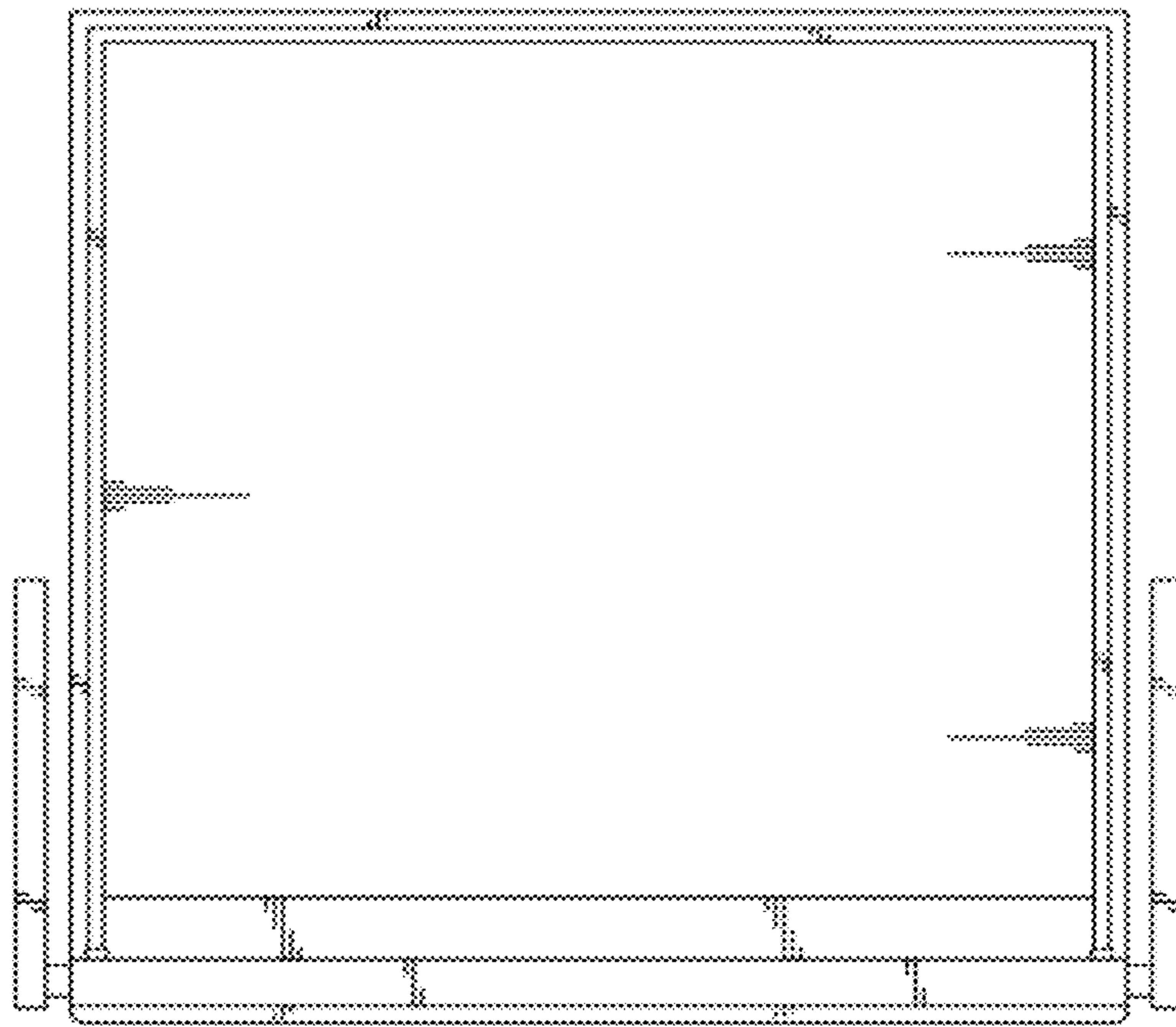


FIG. 6

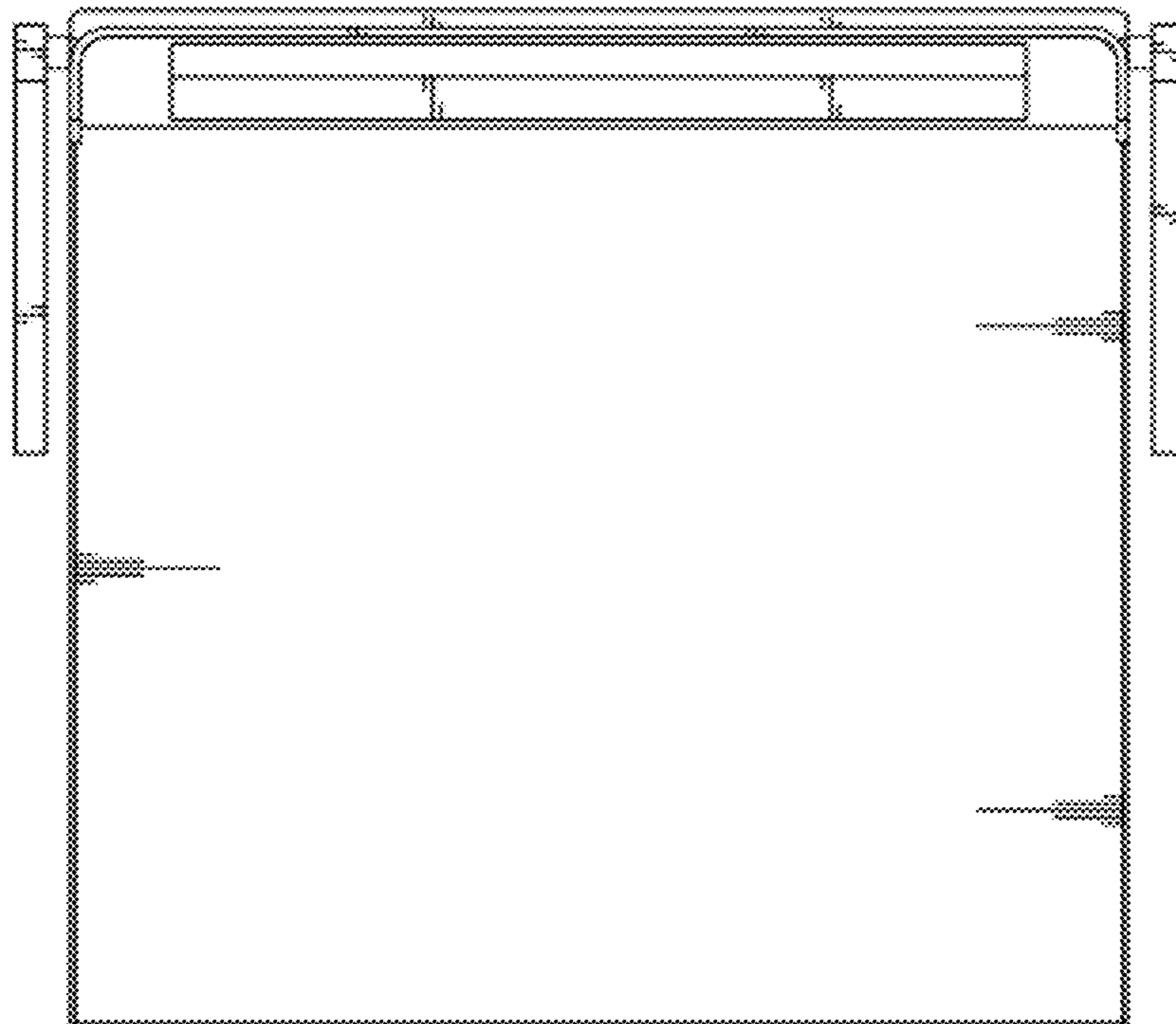


FIG. 7

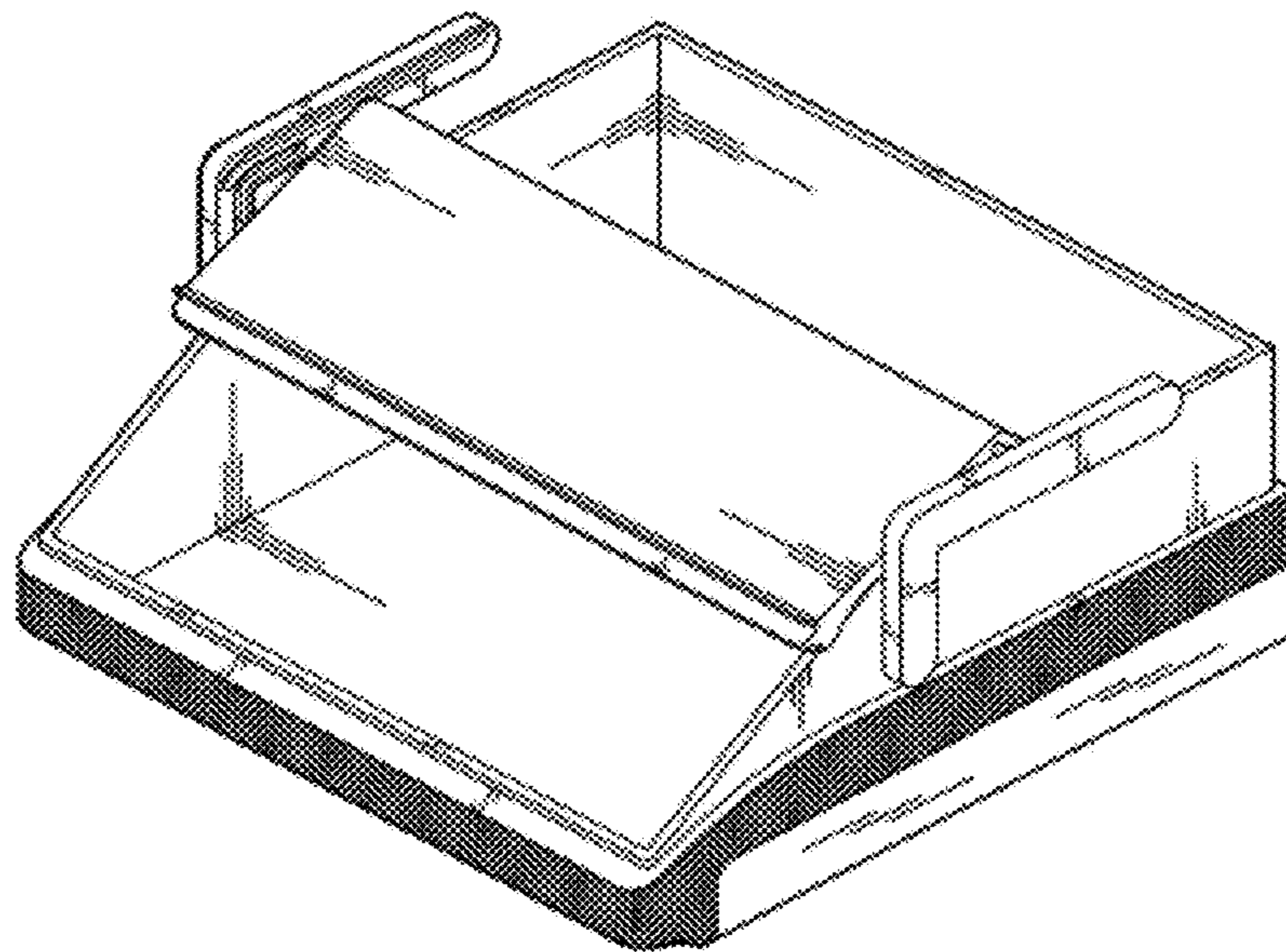


FIG. 8

