



US00D677284S

(12) **United States Design Patent**  
**Helgesson et al.**

(10) **Patent No.:** **US D677,284 S**  
(45) **Date of Patent:** **\*\* Mar. 5, 2013**

(54) **FUEL DISPENSER**

(75) Inventors: **Hanna Helgesson**, Malmo (SE); **Annika Birkler**, Malmo (SE); **Bengt I. Larsson**, Skivarp (SE); **Carl Forslund**, Hollviken (SE); **Camilla Lundstrom**, Angelholm (SE); **Scott R. Negley, III**, Austin, TX (US); **Neil Thomas**, Austin, TX (US); **Kevin Burnett**, Round Rock, TX (US); **Gian Pangaro**, St. Somerville, MA (US); **Gen Suzuki**, Cambridge, MA (US); **Jason Robinson**, Tewksbury, MA (US); **Timothy Raymond Proulx**, Nashua, NH (US)

(73) Assignee: **Dresser Wayne AB**, Malmo (SE)

(\*\*) Term: **14 Years**

(21) Appl. No.: **29/359,710**

(22) Filed: **Apr. 14, 2010**

(30) **Foreign Application Priority Data**

Oct. 16, 2009	(EM)	1172068-0024
Oct. 16, 2009	(EM)	1172068-0027
Oct. 16, 2009	(EM)	1172068-0029
Oct. 16, 2009	(EM)	1172068-0031
Oct. 16, 2009	(EM)	1172068-0032
Oct. 16, 2009	(EM)	1172068-0033
Oct. 16, 2009	(EM)	1172068-0034
Oct. 16, 2009	(EM)	1172068-0035
Oct. 16, 2009	(EM)	1172068-0037
Oct. 16, 2009	(EM)	1172068-0040
Oct. 16, 2009	(EM)	1172068-0046

(51) **LOC (9) Cl.** ..... **15-02**

(52) **U.S. Cl.** ..... **D15/9.2**

(58) **Field of Classification Search** ..... D15/7-9.3;  
D23/231, 232, 225; 417/60, 235, 265, 321,  
417/355, 358, 363, 359, 410.1, 415-416,  
417/405, 900; 60/408, 412; 184/26-37;  
415/140-147; 123/495, 509

See application file for complete search history.

(56) **References Cited**

U.S. PATENT DOCUMENTS

D118,869 S	9/1960	Bowden
D193,577 S	9/1962	Sasnett
D197,440 S	2/1964	Winger et al.
D201,516 S	6/1965	Sasnett
D211,401 S	6/1968	Chidea et al.
D250,429 S	11/1978	Batson et al.

(Continued)

OTHER PUBLICATIONS

Dresser Wayne Pignone, *Global Star HH and LHR, Global technology for multiproduct dispensers*, Global Star HH/LHR-4 pp. 480291 GB, Revision Date Jul. 6, 2004; publication date at least as early as Oct. 14, 2009.

(Continued)

*Primary Examiner* — Ralf Seifert

(74) *Attorney, Agent, or Firm* — Hiscock & Barclay LLP

(57) **CLAIM**

The ornamental design for a fuel dispenser, substantially as shown and described.

**DESCRIPTION**

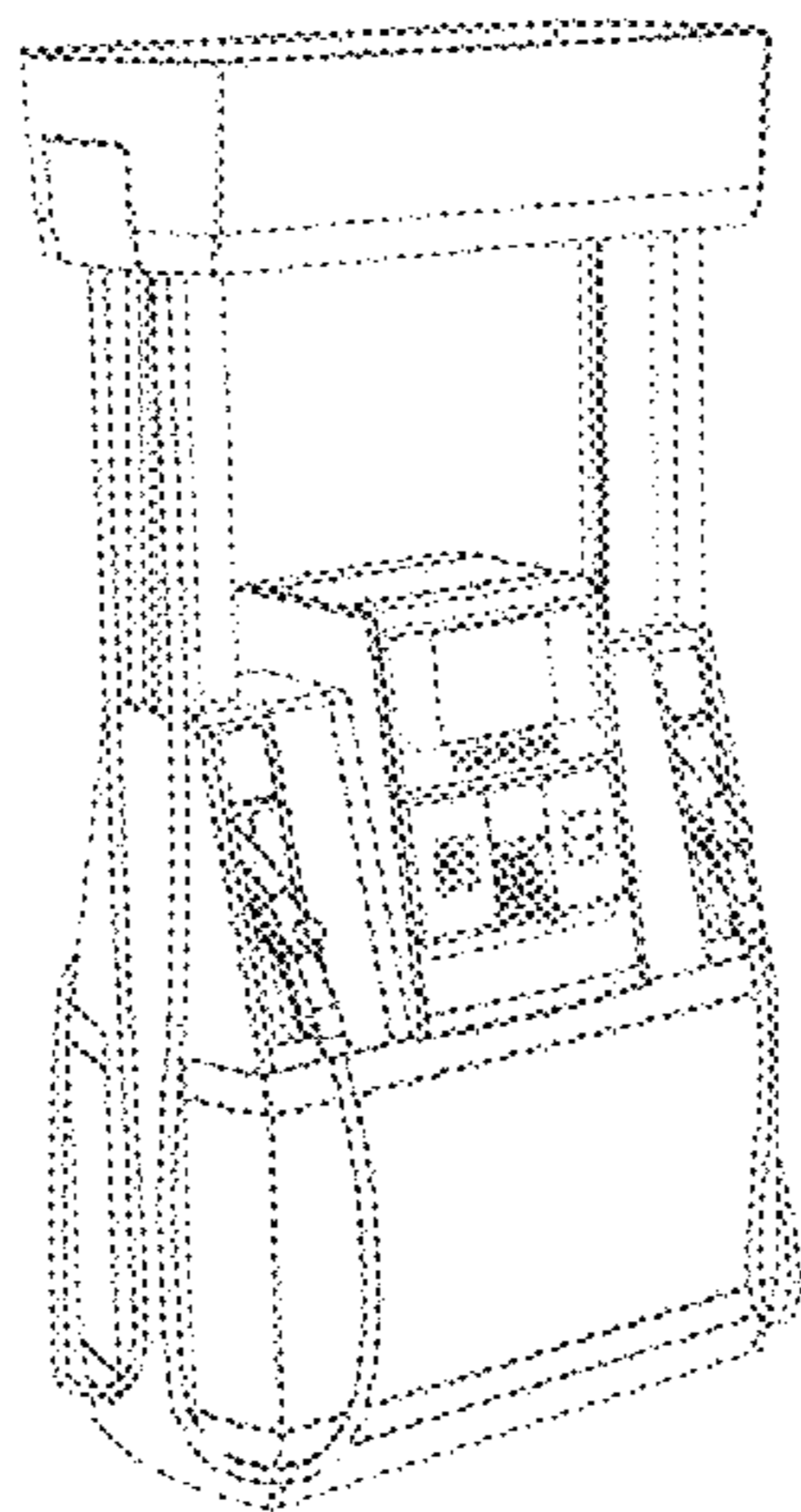
FIG. 1 is a perspective view from above illustrating the front and right side of a first embodiment of a fuel dispenser; FIG. 2 is a front view thereof; FIG. 3 is a right side view thereof; FIG. 4 is a rear view thereof; FIG. 5 is a left side view thereof; and, FIG. 6 is a top view thereof.

The bottom of the fuel dispenser of FIGS. 1-6 is flat and devoid of surface ornamentation and is not part of the claimed design.

The top of the fuel dispenser of FIGS. 1-6 is not a part of the claimed design.

The broken lines in FIG. 6 are included for the purpose of illustrating portions of the fuel dispenser that form no part of the claimed design.

**1 Claim, 6 Drawing Sheets**



## U.S. PATENT DOCUMENTS

D262,971	S	*	2/1982	Robinson et al.	.....	D15/9.2
D265,092	S	*	6/1982	Robinson et al.	.....	D15/9.2
D271,696	S		12/1983	Todd		
D272,628	S		2/1984	Monigle et al.		
D281,427	S		11/1985	Baffo et al.		
D301,342	S		5/1989	Mittermaier et al.		
D309,144	S	*	7/1990	Austin et al.	.....	D15/9.2
D375,505	S	*	11/1996	Wong	.....	D15/9
D395,052	S	*	6/1998	Krone et al.	.....	D15/9.1
D396,047	S	*	7/1998	Krone et al.	.....	D15/9.1
D407,412	S	*	3/1999	Wang	.....	D15/9
D414,501	S	*	9/1999	Wilson et al.	.....	D15/9.2
D414,780	S	*	10/1999	Wilson et al.	.....	D15/9.2
D414,781	S	*	10/1999	Wilson et al.	.....	D15/9.2
D415,167	S	*	10/1999	Wilson et al.	.....	D15/9.2
D415,168	S	*	10/1999	Wilson et al.	.....	D15/9.2
D415,169	S	*	10/1999	Wilson et al.	.....	D15/9.2
D415,170	S	*	10/1999	Wilson et al.	.....	D15/9.2
D415,171	S	*	10/1999	Wilson et al.	.....	D15/9.2
D415,172	S	*	10/1999	Wilson et al.	.....	D15/9.2
D415,501	S	*	10/1999	Wilson et al.	.....	D15/9.2
D415,777	S	*	10/1999	Wilson et al.	.....	D15/9.1
D416,916	S	*	11/1999	Wilson et al.	.....	D15/9.2
D417,226	S	*	11/1999	Wilson et al.	.....	D15/9.2
D420,684	S	*	2/2000	Wilson et al.	.....	D15/9.2
D421,612	S	*	3/2000	Wilson et al.	.....	D15/9.2
D422,285	S	*	4/2000	Wilson et al.	.....	D15/9.2
D422,604	S	*	4/2000	Wilson et al.	.....	D15/9.2
D426,555	S	*	6/2000	Wilson et al.	.....	D15/9.2
D429,740	S	*	8/2000	Wilson et al.	.....	D15/9.2
D430,577	S		9/2000	Taylor et al.		
D433,033	S	*	10/2000	Wilson et al.	.....	D15/9.2
D434,423	S	*	11/2000	Wang	.....	D15/9
D434,424	S	*	11/2000	Wilson et al.	.....	D15/9.2
D434,780	S	*	12/2000	Wilson et al.	.....	D15/9.2
D435,051	S	*	12/2000	Wilson et al.	.....	D15/9.1
D438,216	S		2/2001	Taylor et al.		
D440,579	S	*	4/2001	Wilson et al.	.....	D15/9.2
D443,624	S	*	6/2001	Wilson et al.	.....	D15/9.2
D454,421	S		3/2002	Jeon et al.		
D481,516	S		10/2003	Magee et al.		
D481,517	S		10/2003	Magee et al.		
D481,518	S		10/2003	Magee et al.		
D485,417	S		1/2004	Magee et al.		
D487,834	S		3/2004	Zerman et al.		
D488,280	S		4/2004	Zerman et al.		
D492,081	S		6/2004	Magee et al.		
D500,905	S		1/2005	Magee et al.		
D515,103	S	*	2/2006	Chou	.....	D15/9
D534,447	S	*	1/2007	Marini	.....	D10/86
D553,648	S	*	10/2007	Laya et al.	.....	D15/9.1
D557,299	S	*	12/2007	Marini et al.	.....	D15/199
D601,590	S	*	10/2009	Burnham	.....	D15/7
D602,225	S		10/2009	Lute et al.		
D613,320	S	*	4/2010	Marini	.....	D15/199
D623,375	S		9/2010	Douglass et al.		
D625,305	S		10/2010	Bleck et al.		
D628,764	S		12/2010	Bleck et al.		
D629,585	S		12/2010	Bleck et al.		
D631,634	S		1/2011	Bleck et al.		
D645,056	S	*	9/2011	Marini	.....	D15/9
2010/0161489	A1		6/2010	Goodall et al.		
2010/0176191	A1		7/2010	Ramachandran et al.		
2010/0187299	A1		7/2010	Block et al.		
2010/0187300	A1		7/2010	Ramachandran et al.		
2010/0241564	A1		9/2010	Miller et al.		
2010/0243729	A1		9/2010	Russell et al.		
2010/0258621	A1		10/2010	Schlabach et al.		

## OTHER PUBLICATIONS

Dresser Wayne, *Reliance™ Series Fleet Pumps & Dispensers, A Reliable Solutions for Fleet Fueling*, Reliance-4 G6200 PN 920800 Rev B 4/05; publication date at least as early as Oct. 14, 2009.

Dresser Wayne, *Select Series Fleet Pumps & Dispensers, Advanced Technology for Fleet Fueling*, Select-4 G7200 PN 920801 B 4/05; publication date at least as early as Oct. 14, 2009.

Dresser Wayne Pignone, *Global Star SCR Dispenser*, Global Star for SCR-2 pp. 480292 GB, Revision Date Jul. 14, 2004; publication date at least as early as Oct. 14, 2009.

Dresser Wayne, *Vista Series Pumps & Dispensers, Unmatched Flexibility in Forecourt Equipment Solutions*, Vista-4 PN 920778, Rev. B 4/05; publication date at least as early as Oct. 14, 2009.

Dresser Wayne, *3/G 3000, Global Century High Hose Multi-Grade/Multi-Product Dispensers, Increased flexibility using less island space.*; publication date at least as early as Oct. 14, 2009.

Dresser Wayne Pignone, *DPXF CNG model dispenser, Compressed Natural Gas (CNG) dispenser*, DPX-F CNG dispenser—Code TLO 29082—Revision 0—Sep. 2004; publication date at least as early as Oct. 14, 2009.

Dresser Wayne Pignone, *DPX-A model fuel dispenser, Multiproduct type*, DPX-A fuel dispenser—Code TLO 29079—Revision 0—Sep. 2004; publication date at least as early as Oct. 14, 2009.

Dresser Wayne, *Ovation™ Series Dispensers, Leading the Industry in Technology and Evolutionary Design*, Ovation-4 PN 920777 Rev B 4/05; publication date at least as early as Oct. 14, 2009.

“Tokheim Quantum 500T” [online] [Retrieved on Jul. 27, 2010]; Retrieved from the Internet URL: <http://www.tokheim.com/main/index1.php?url=130&lg=>.

“Tokheim Quantum 400T” [online] [Retrieved on Jul. 27, 2010]; Retrieved from the Internet URL: <http://www.tokheim.com/main/index1.php?url=131&lg=>.

“Tokheim Quantum 300T” [online] [Retrieved on Jul. 27, 2010]; Retrieved from the Internet URL: <http://www.tokheim.com/main/index1.php?url=132&lg=>.

“Tokheim Quantum 200T” [online] [Retrieved on Jul. 27, 2010]; Retrieved from the Internet URL: <http://www.tokheim.com/main/index1.php?url=133&lg=>.

“Tokheim Quantum 100T” [online] [Retrieved on Jul. 27, 2010]; Retrieved from the Internet URL: <http://www.tokheim.com/main/index1.php?url=134&lg=>.

“Bennett Pacific Series Retail Multi-Product Dispensers” [online] [Retrieved on Jul. 27, 2010]; Retrieved from the Internet URL: <http://www.bennettpump.com/products/pacific-series>.

“Bennett BlueFueller Series Diesel Exhaust Fluid Dispensers” [online] [Retrieved on Jul. 27, 2010]; Retrieved from the Internet URL: <http://www.bennettpump.com/products/def>.

Bennett Big Squirt High Speed Truck Stop Fueling: [online] [Retrieved on Jul. 27, 2010]; Retrieved from the Internet URL: <http://www.bennettpump.com/products/big-squirt>.

“Bennett Horizon2 Series Retail Multi-Product Dispensers/Pumps” [online] [Retrieved on Jul. 28, 2010]; Retrieved from the Internet URL: <http://www.bennettpump.com/products/horizon2-series>.

“Bennett Special Retail Applications 3000 Series Retail Single and Dual Dispensers/Pumps”; [online] [Retrieved on Jul. 28, 2010]; Retrieved from the Internet URL: <http://www.bennettpump.com/products/special-retail-applications>.

“Bennett Commercial Industrial Fleet Fueling”; [online] [Retrieved on Jul. 28, 2010]; Retrieved from the Internet URL: <http://www.bennettpump.com/products/commercial-industrial-fleet-fueling>.

Dresser Wayne, *Harmony Series Dispensers Parts Manual*, Part No. 920640 Rev A, Mar. 2002, cover page.

“Dresser Wayne Ovation LX”; [online] [Retrieved on Jul. 28, 2010]; Retrieved from the Internet URL: <http://www.wayne.com/index.cfm/go/product-detail/product/Ovation-LX/>.

“Dresser Wayne Ovation”; [online] [Retrieved on Jul. 28, 2010]; Retrieved from the Internet URL: <http://www.wayne.com/index.cfm/go/product-detail/product/ovation/>.

“Dresser Wayne Global Ovation iX”; [online] [Retrieved on Jul. 28, 2010]; Retrieved from the Internet URL: <http://www.wayne.com/index.cfm/go/product-detail/product/global-ovation-ix/>.

“Dresser Wayne Global Star V”; [online] [Retrieved on Jul. 28, 2010]; Retrieved from the Internet URL: <http://www.wayne.com/index.cfm/go/product-detail/product/global-star/>.

“Dresser Wayne Global Star LPG”; [online] [Retrieved on Jul. 28, 2010]; Retrieved from the Internet URL: <http://www.wayne.com/index.cfm/go/product-detail/product/global-star-lpg/>.

“Dresser Wayne Vista”; [online] [Retrieved on Jul. 28, 2010]; Retrieved from the Internet URL: <http://www.wayne.com/index.cfm/go/product-detail/product/Vista/>.

- “Dresser Wayne HS Vista”; [online] [Retrieved on Aug. 4, 2010]; Retrieved from the Internet URL: <http://www.wayne.com/index.cfm/go/product-detail/products/hs-vista/>.
- “Dresser Wayne Global Vista”; [online] [Retrieved on Sep. 1, 2010]; Retrieved from the Internet URL: <http://www.wayne.com/index.cfm/go/product-detail/product/global-vista/>.
- “Dresser Wayne Century”; [online] [Retrieved on Sep. 1, 2010]; Retrieved from the Internet URL: [http://www.wayne.com/index.cfm/go/product-detail/product/century-\(na\)/](http://www.wayne.com/index.cfm/go/product-detail/product/century-(na)/).
- “Dresser Wayne Global Century”; [online] [Retrieved on Sep. 1, 2010]; Retrieved from the Internet URL: <http://www.wayne.com/index.cfm/go/product-detail/product/Global%20Century%20Fuel%20Dispenser/>.
- “Dresser Wayne Century G1000”; [online] [Retrieved on Sep. 1, 2010]; Retrieved from the Internet URL: <http://www.wayne.com/index.cfm/go/product-detail/product/century-g1000/>.
- “Dresser Wayne Vista—China Edition”; [online] [Retrieved on Sep. 1, 2010]; Retrieved from the Internet URL: <http://www.wayne.com/index.cfm/go/product-detail/product/china%20vista/>.
- “Dresser Wayne Century—China Edition”; [online] [Retrieved on Sep. 1, 2010]; Retrieved from the Internet URL: <http://www.wayne.com/index.cfm/go/product-detail/product/china%20century/>.
- “Dresser Wayne DEF Dispenser”; [online] [Retrieved on Sep. 1, 2010]; Retrieved from the Internet URL: <http://www.wayne.com/index.cfm/go/product-detail/product/DEF-Dispenser/>.
- “Gilbarco Encore S”; [online] [Retrieved on Sep. 1, 2010]; Retrieved from the Internet URL: <http://www.gilbarco.com/page/EncoreS>.
- “Gilbarco Encore 300”; [online] [Retrieved on Sep. 1, 2010]; Retrieved from the Internet URL: [http://www.gilbarco.com/object/encore\\_300\\_dispensers.html](http://www.gilbarco.com/object/encore_300_dispensers.html).
- “Gilbarco Encore Ultra-Hi Flow”; [online] [Retrieved on Sep. 1, 2010]; Retrieved from the Internet URL: [http://www.gilbarco.com/object/Encore\\_300\\_Ultra-Hi\\_Flow.html](http://www.gilbarco.com/object/Encore_300_Ultra-Hi_Flow.html).
- “Gilbarco Performer”; [online] [Retrieved on Sep. 1, 2010]; Retrieved from the Internet URL: <http://www.gilbarco.com/page/Performer>.
- “Gilbarco Legacy Series—Mechanical”; [online] [Retrieved on Sep. 1, 2010]; Retrieved from the Internet URL: [http://www.gilbarco.com/object/Legacy\\_Series\\_Mechanical\\_context](http://www.gilbarco.com/object/Legacy_Series_Mechanical_context).
- “Gilbarco Legacy Series—Electronic”; [online] [Retrieved on Sep. 1, 2010]; Retrieved from the Internet URL: [http://www.gilbarco.com/page/Legacy\\_Electronic](http://www.gilbarco.com/page/Legacy_Electronic).
- “Gilbarco Encore”, publication at least as early as Jul. 2010.
- “Tokheim Premier C”; [online] [Retrieved on Oct. 8, 2010]; Retrieved from the Internet URL: <http://www.graffco.com/T%20Premier%20C%20Blender.htm>.
- “Tokheim Crypto VGA” [online], published at least as early as Oct. 16, 2009, Retrieved from the Internet URL: <http://www.tokheim.com/main/index1.php?url=25&lg>.
- “Petrotec Genesys OPT” [online], published at least as early as Oct. 16, 2009, Retrieved from the Internet URL: <http://www.petrotec.pt/index.php?id=74&tbl=registos&id2=201>.
- “Hectronic Hecstar” [online], published at least as early as Oct. 16, 2009, Retrieved from the Internet URL: <http://www.hectronic.com/en/products/refuelling/autofuel-systems/hecstar/>.
- “Hectronic Hecfleet” [online], published at least as early as Oct. 16, 2009, Retrieved from the Internet URL: <http://www.hectronic.com/en/products/refuelling/autofuel-systems/hecfleet/>.
- “Gilbarco Autotank FlexPay NP3” [online], published at least as early as Oct. 16, 2009, Retrieved from the Internet URL: [http://www.autotank.com/product\\_29.aspx](http://www.autotank.com/product_29.aspx).
- “Gilbarco Autotank FlexPay SK3” [online], published at least as early as Oct. 16, 2009, Retrieved from the Internet URL: [http://www.autotank.com/product\\_30.aspx](http://www.autotank.com/product_30.aspx).
- “Gilbarco Autotank FlexPay B2B” [online], published at least as early as Oct. 16, 2009, Retrieved from the Internet URL: [http://www.autotank.com/product\\_28.aspx](http://www.autotank.com/product_28.aspx).
- “Hectronic The different way. In the thick of it. And refreshingly different.” [online], published at least as early as Oct. 16, 2009, Retrieved from the Internet URL: [http://www.hectronic.com/en/nc/documentation/company/?tx\\_drblob\\_pil%5BdownloadUid%5D=609](http://www.hectronic.com/en/nc/documentation/company/?tx_drblob_pil%5BdownloadUid%5D=609).
- Application for Registered Community Design, Design No. 15, pp. 7, Oct. 16, 2009.
- Application for Registered Community Design, Design No. 18, pp. 7, Oct. 16, 2009.
- Application for Registered Community Design, Design No. 19, pp. 7, Oct. 16, 2009.
- Application for Registered Community Design, Design No. 21, pp. 7, Oct. 16, 2009.
- Application for Registered Community Design, Design No. 22, pp. 3, Oct. 16, 2009.
- Application for Registered Community Design, Design No. 24, pp. 7, Oct. 16, 2009.
- Application for Registered Community Design, Design No. 27, pp. 7, Oct. 16, 2009.
- Application for Registered Community Design, Design No. 29, pp. 7, Oct. 16, 2009.
- Application for Registered Community Design, Design No. 30, pp. 3, Oct. 16, 2009.
- Application for Registered Community Design, Design No. 31, pp. 7, Oct. 16, 2009.
- Application for Registered Community Design, Design No. 32, pp. 7, Oct. 16, 2009.
- Application for Registered Community Design, Design No. 33, pp. 7, Oct. 16, 2009.
- Application for Registered Community Design, Design No. 34, pp. 7, Oct. 16, 2009.
- Application for Registered Community Design, Design No. 35, pp. 7, Oct. 16, 2009.
- Application for Registered Community Design, Design No. 36, pp. 3, Oct. 16, 2009.
- Application for Registered Community Design, Design No. 37, pp. 5, Oct. 16, 2009.
- Application for Registered Community Design, Design No. 40, pp. 5, Oct. 16, 2009.
- Application for Registered Community Design, Design No. 42, pp. 7, Oct. 16, 2009.
- Application for Registered Community Design, Design No. 46, pp. 4, Oct. 16, 2009.
- U.S. Appl. No. 29/359,682, filed Apr. 14, 2010, Helgesson et al.
- U.S. Appl. No. 29/359,693, filed Apr. 14, 2010, Helgesson et al.
- U.S. Appl. No. 29/359,717, filed Apr. 14, 2010, Helgesson et al.

\* cited by examiner

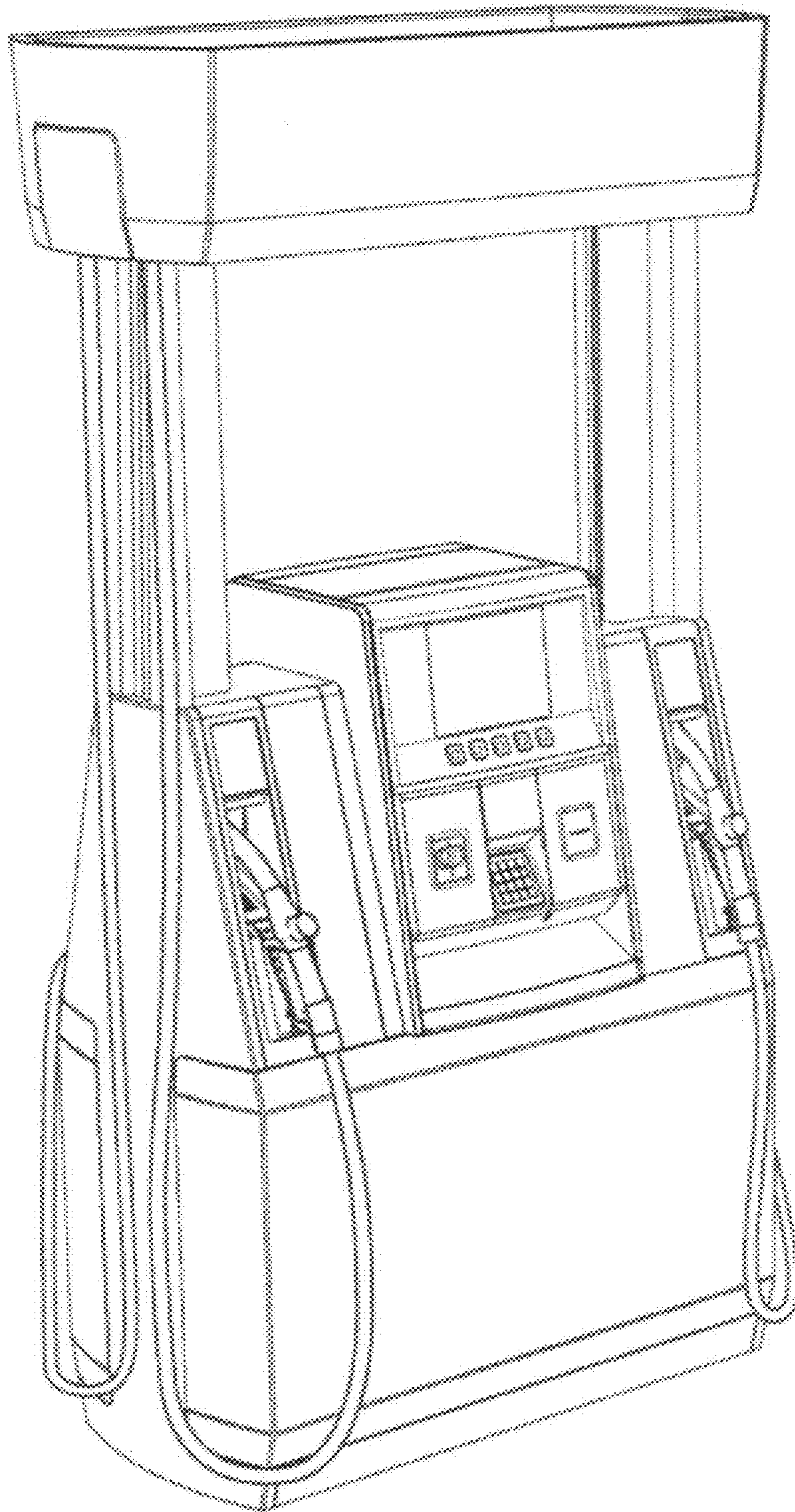


FIG. 1

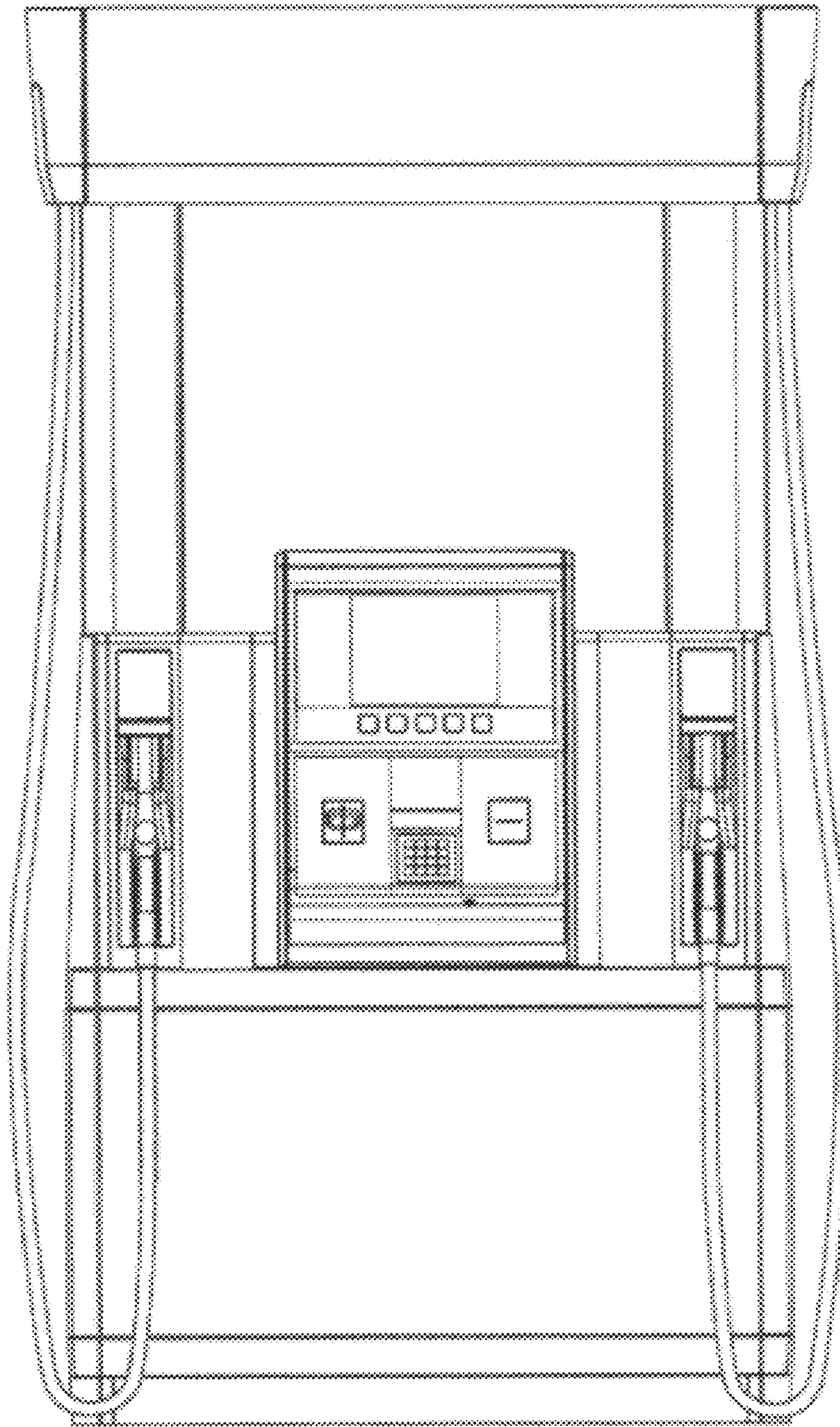


FIG. 2

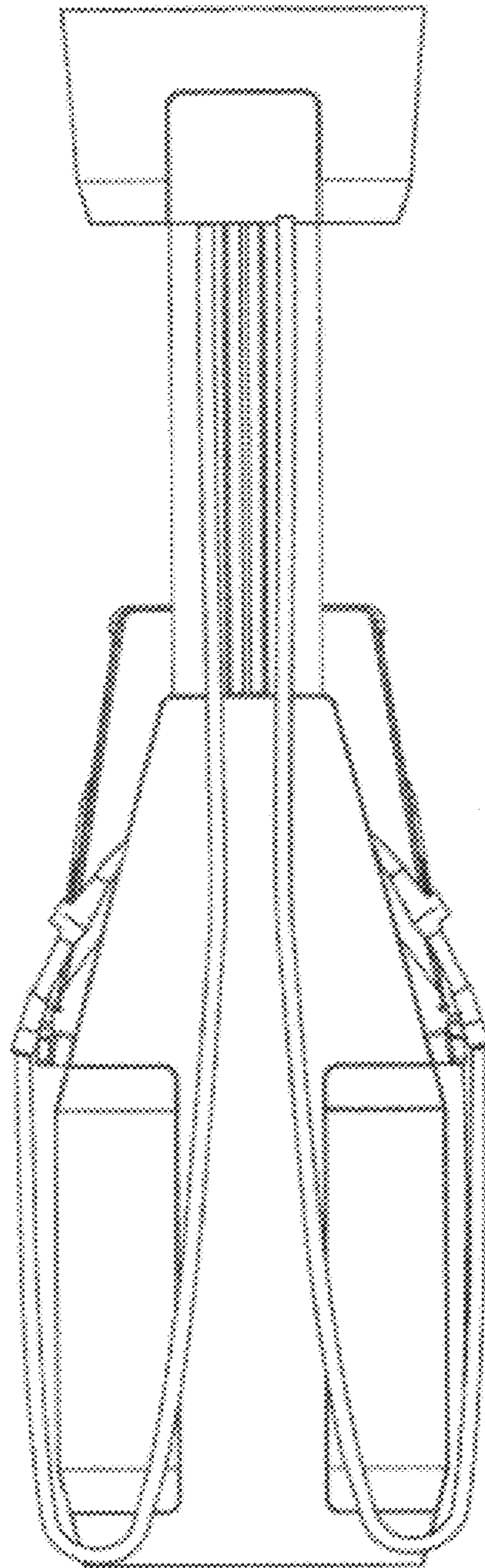


FIG. 3

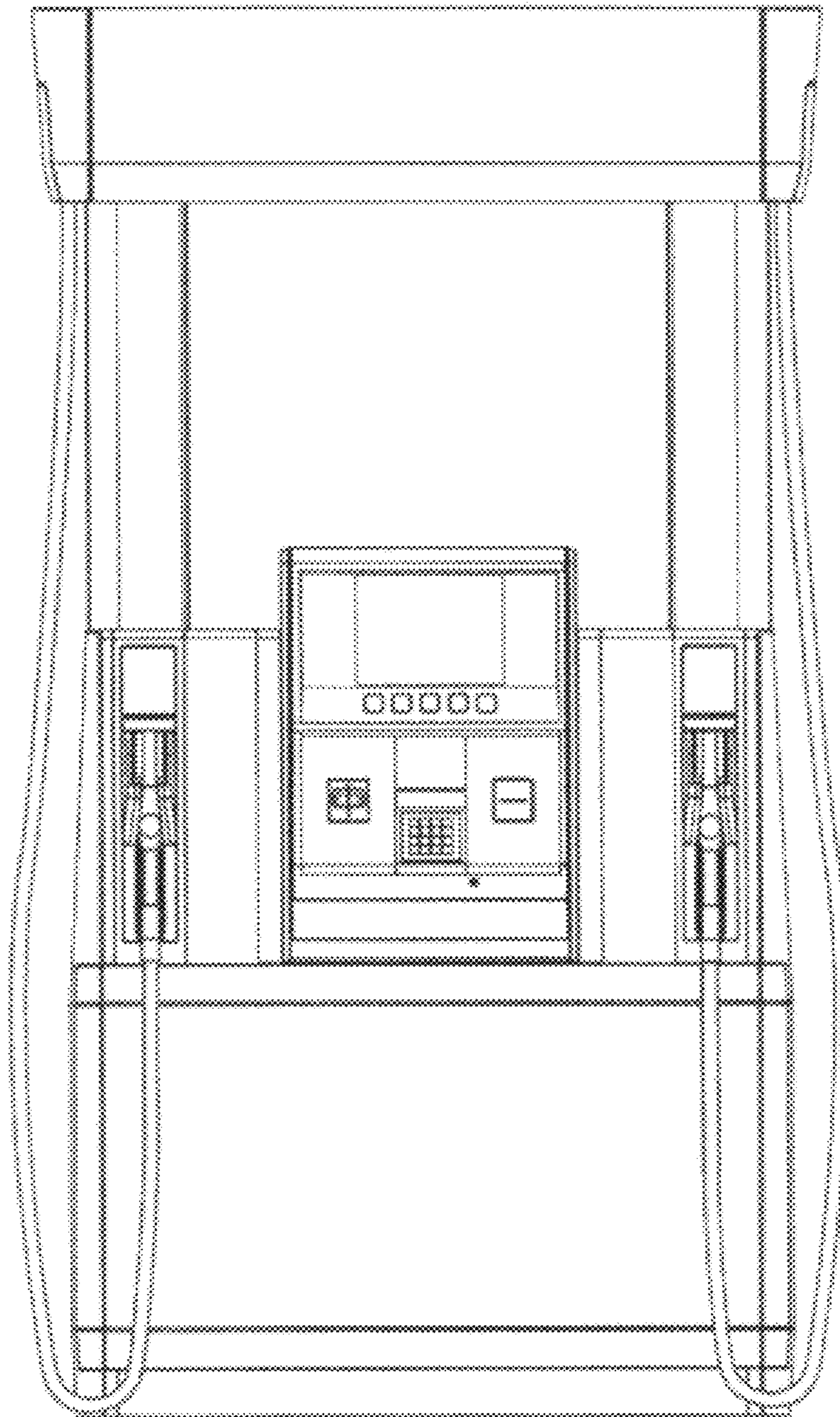


FIG. 4

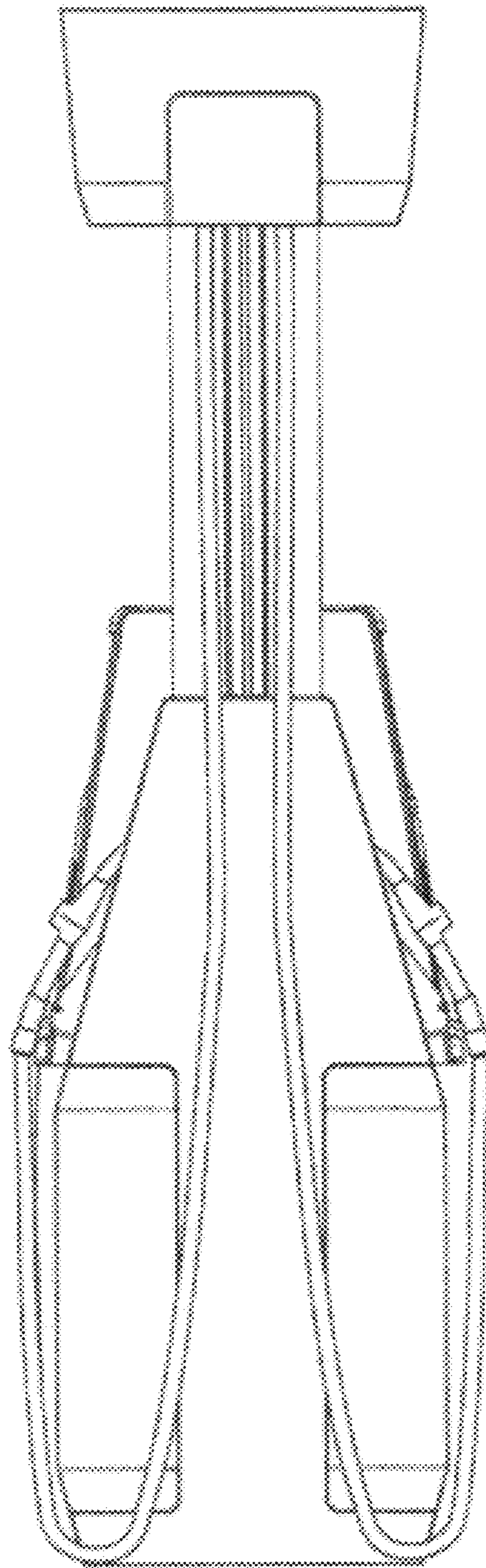


FIG. 5



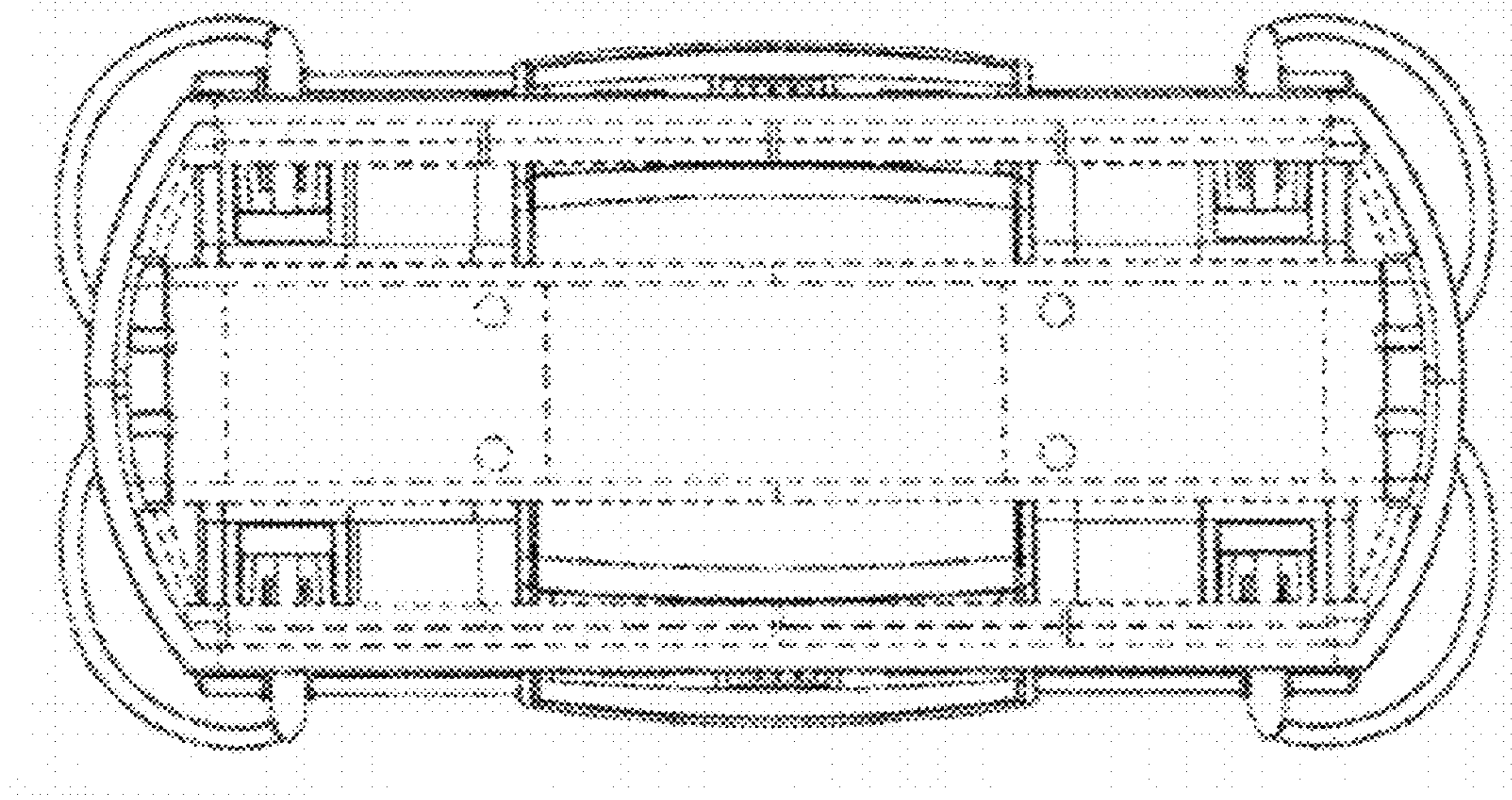


FIG. 6