



US00D677282S

(12) **United States Design Patent**
Soja

(10) **Patent No.:** **US D677,282 S**
(45) **Date of Patent:** **** Mar. 5, 2013**

(54) **DIAPHRAGM PUMP WITH MOTOR**

Primary Examiner — R. Seifert

(76) Inventor: **Marc Johnson Soja**, Toronto (CA)

(74) *Attorney, Agent, or Firm* — Marc Johnson Soja

(**) Term: **14 Years**

(57) **CLAIM**

(21) Appl. No.: **29/417,561**

The ornamental design for a diaphragm pump with motor, as shown and described.

(22) Filed: **Apr. 5, 2012**

(51) **LOC (9) Cl.** **15-02**

(52) **U.S. Cl.** **D15/7**

(58) **Field of Classification Search** D15/7-9;
D23/231, 232, 225; 417/410.1, 359, 415-416,
417/234, 321, 265, 405
See application file for complete search history.

DESCRIPTION

(56) **References Cited**

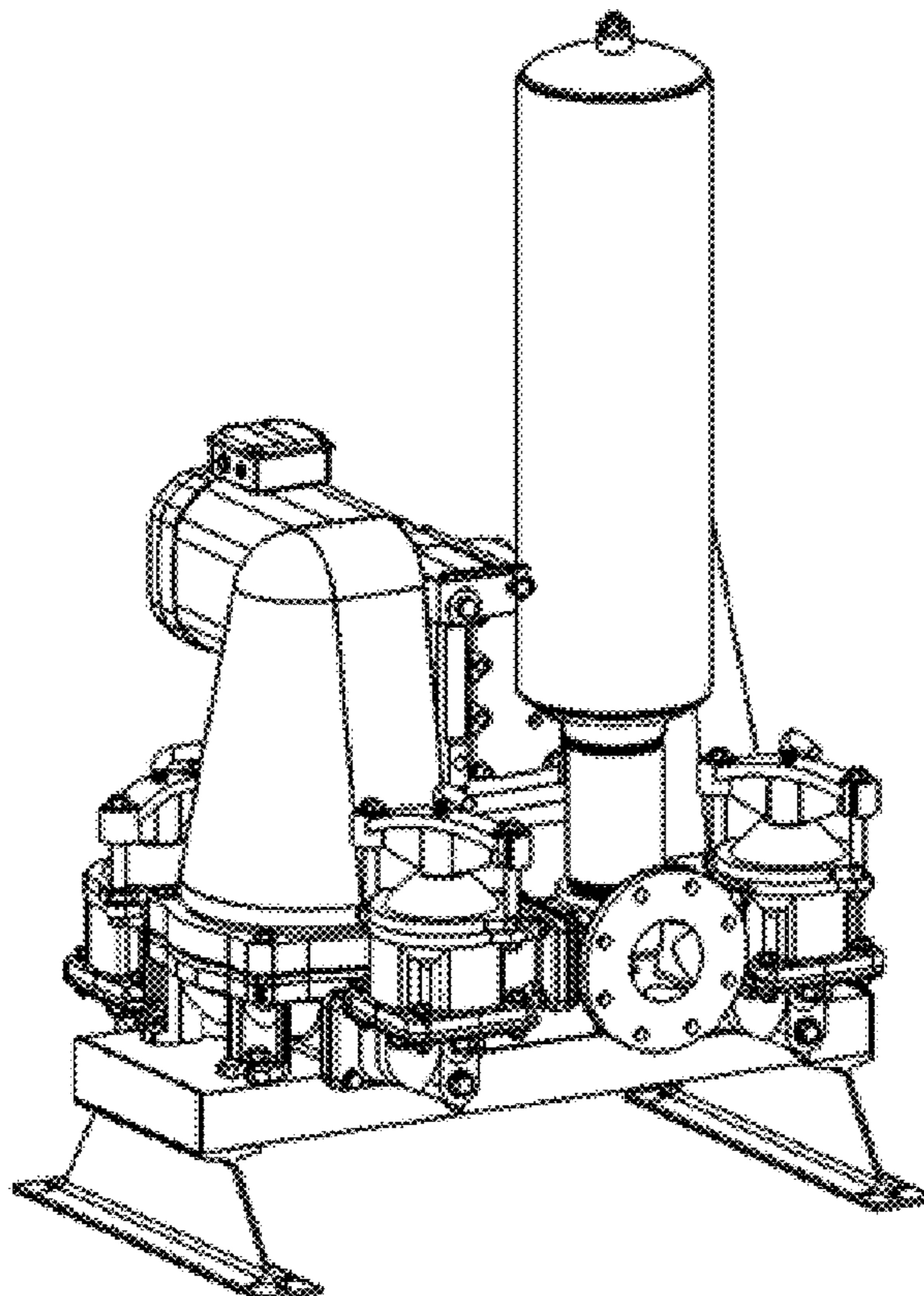
U.S. PATENT DOCUMENTS

D328,304 S *	7/1992	Frohn et al.	D15/7
D388,797 S *	1/1998	Conti et al.	D15/7
D450,327 S *	11/2001	Mori et al.	D15/7
D466,522 S *	12/2002	Huang	D15/7
D471,561 S *	3/2003	Kohsaka	D15/7
D485,565 S *	1/2004	Martinello	D15/7
D558,232 S *	12/2007	Wang	D15/7
D573,609 S *	7/2008	Bilger	D15/7
D591,310 S *	4/2009	Soja	D15/7

FIG. 1 is a front elevational view of a diaphragm pump with motor showing my new design;
FIG. 2 is a left side elevational view thereof;
FIG. 3 is a rear elevational view thereof;
FIG. 4 is a right side elevational view thereof;
FIG. 5 is a top plan view thereof;
FIG. 6 is a bottom plan view thereof;
FIG. 7 is a diagonal front perspective view seen from left side thereof;
FIG. 8 is a diagonal front perspective view seen from right side thereof;
FIG. 9 is a diagonal rear perspective view seen from right side thereof; and,
FIG. 10 is a diagonal rear perspective view seen from left side thereof.

* cited by examiner

1 Claim, 10 Drawing Sheets



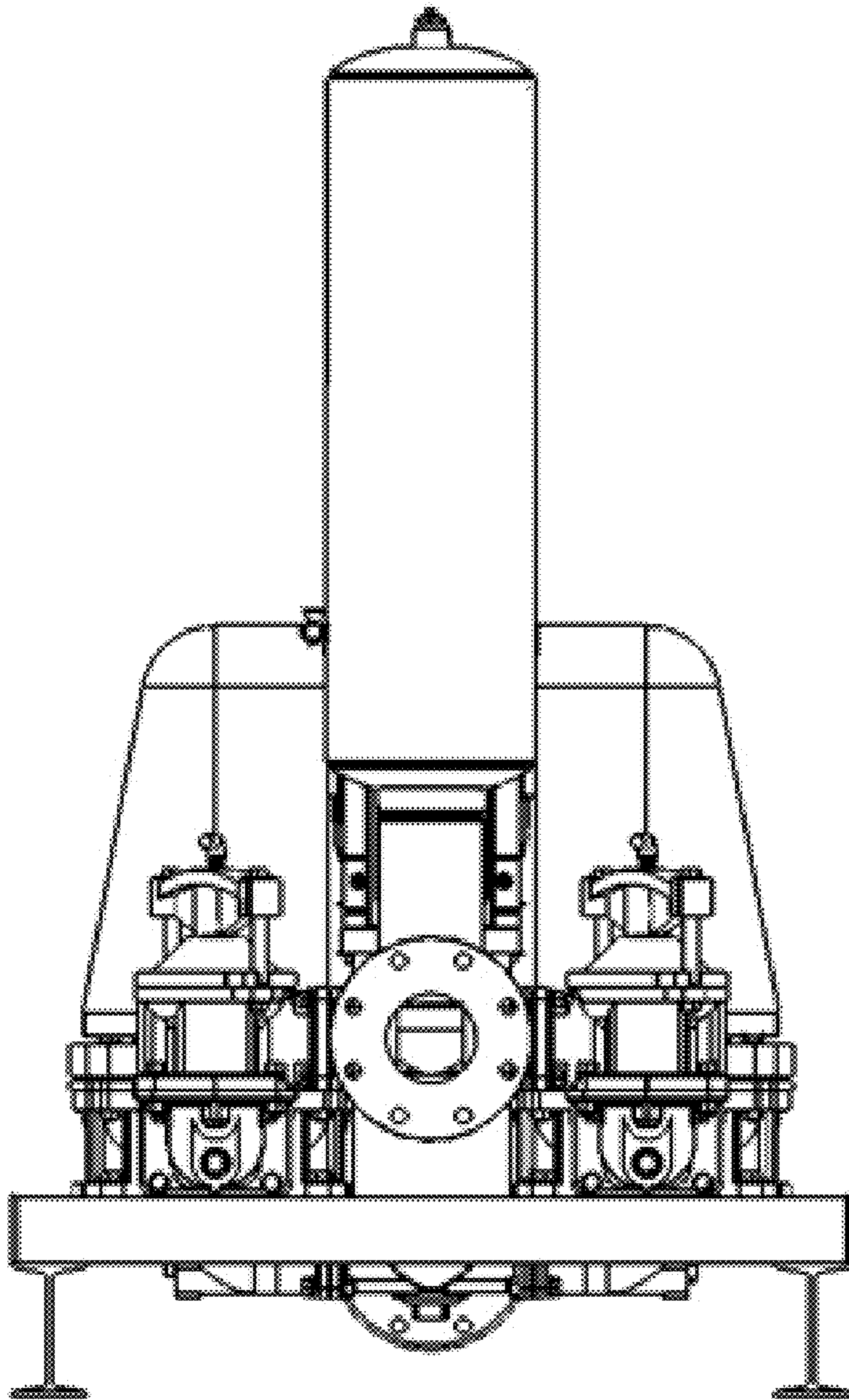


Fig. 1

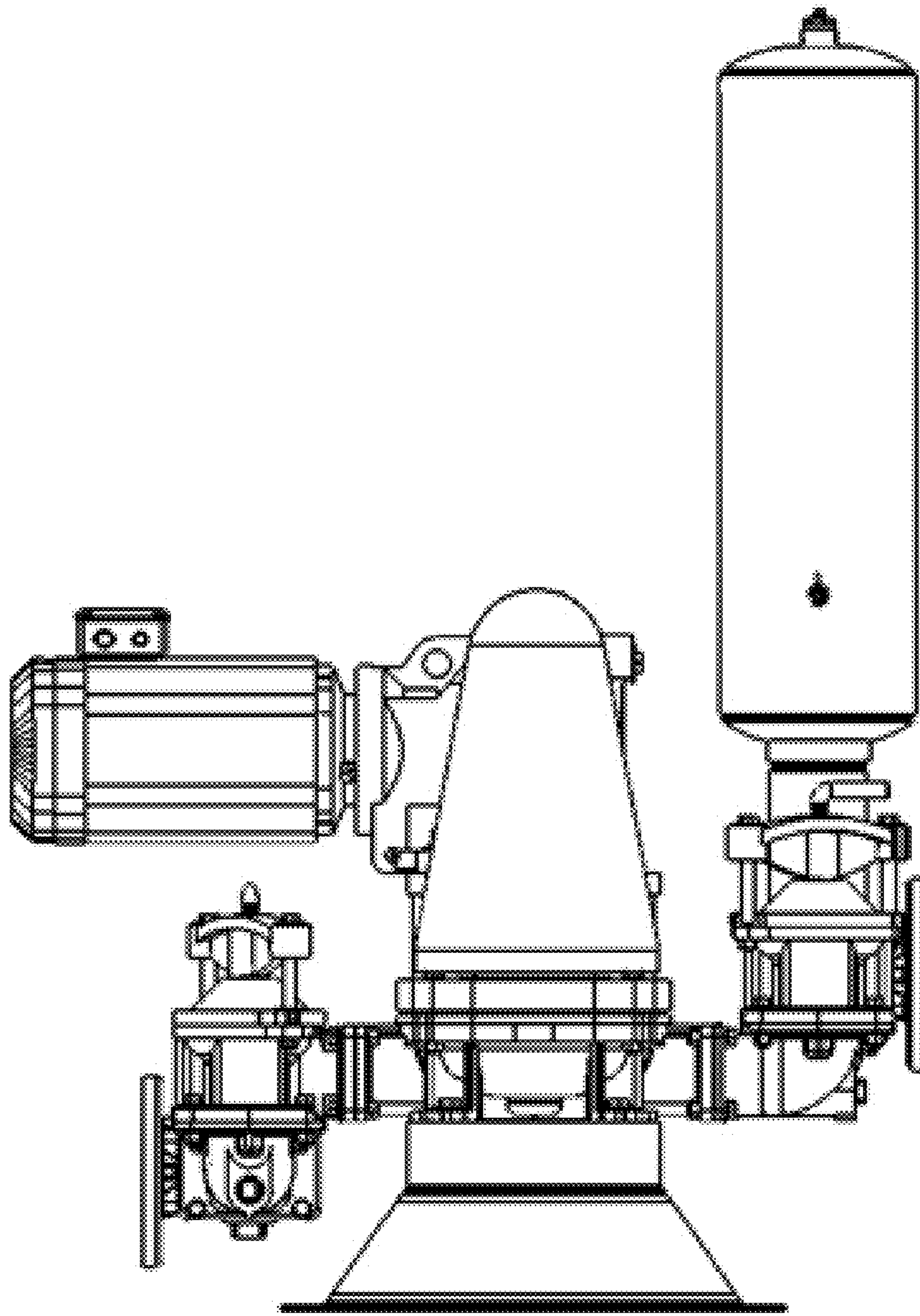


Fig. 2

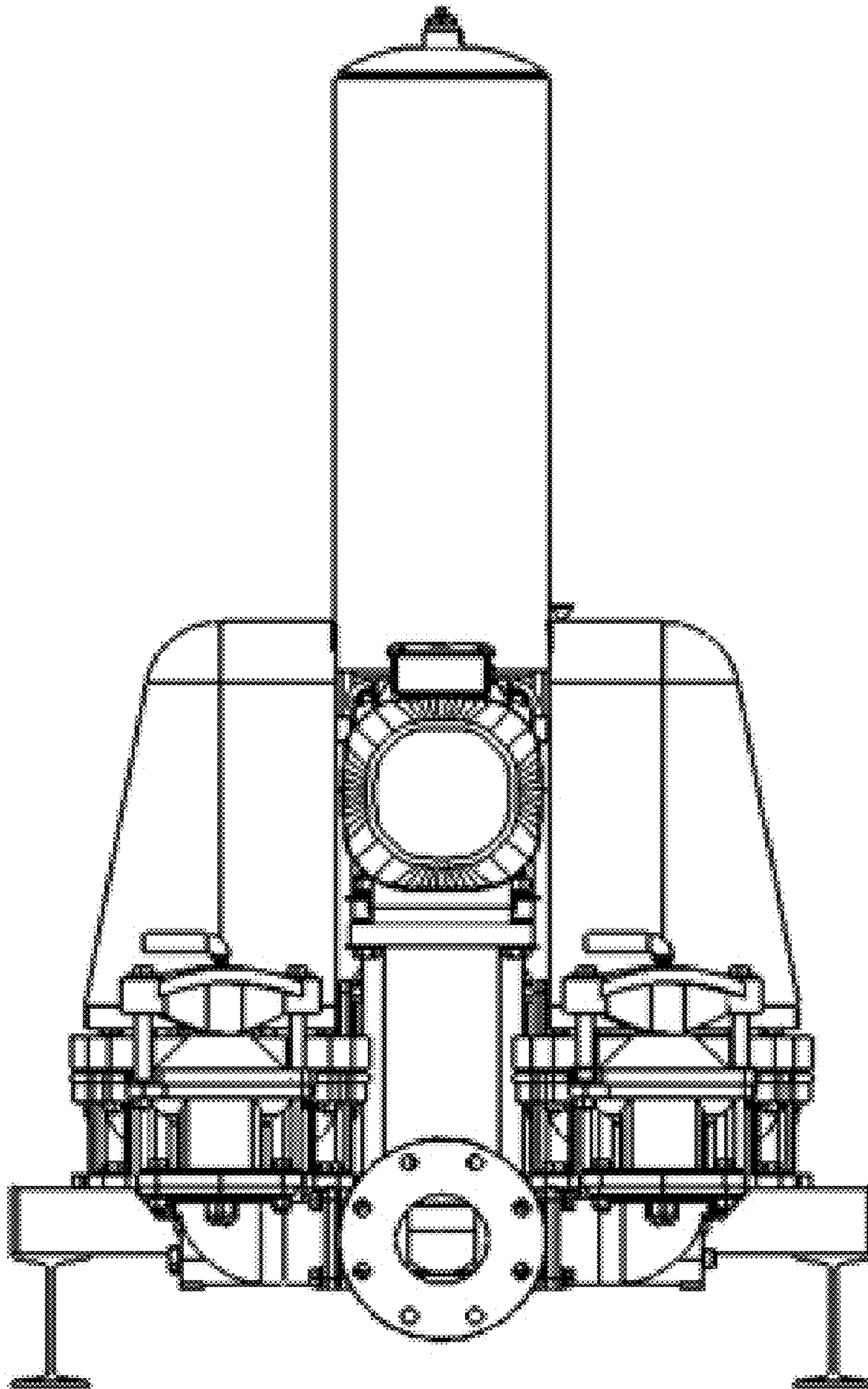


Fig. 3

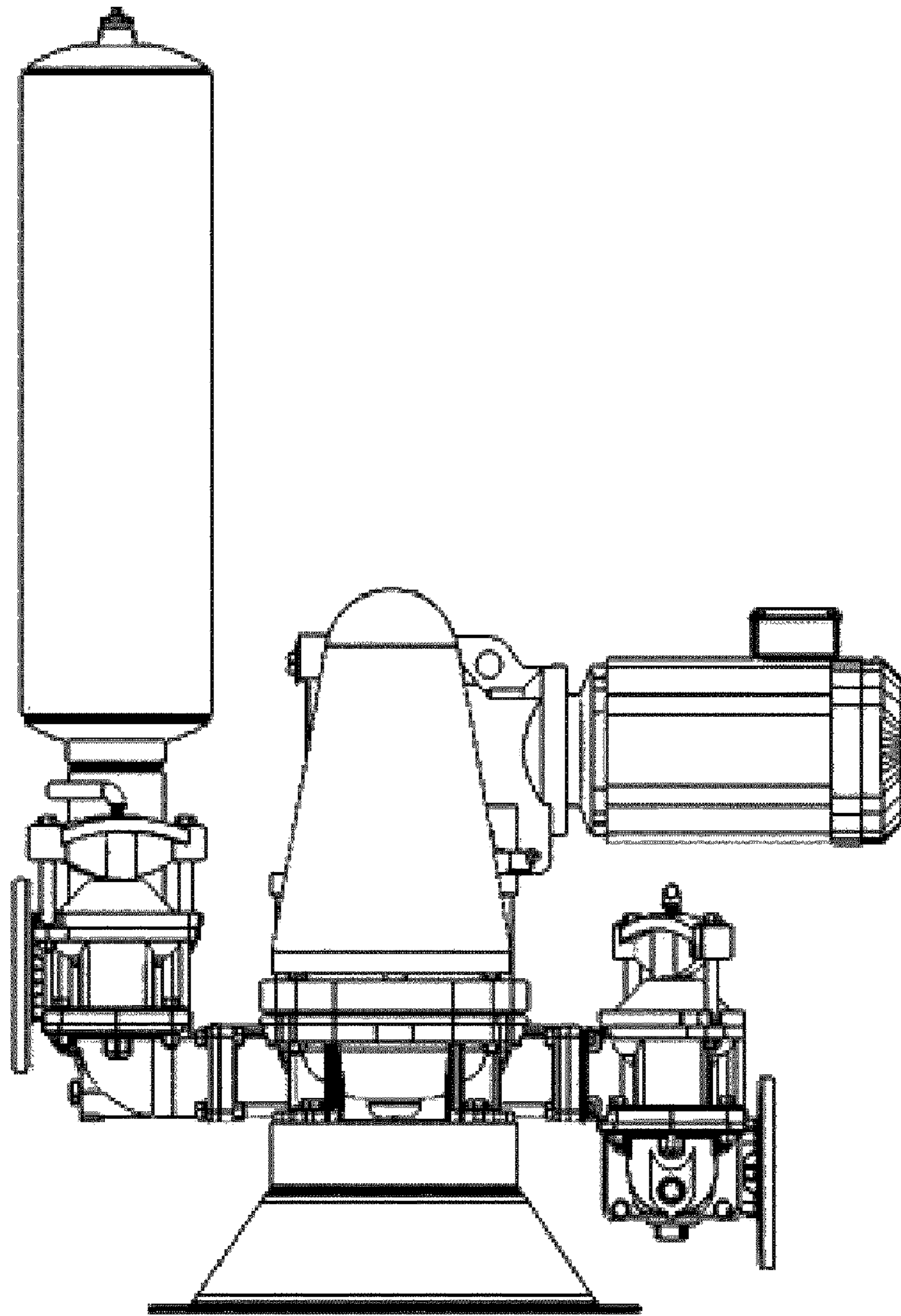


Fig. 4

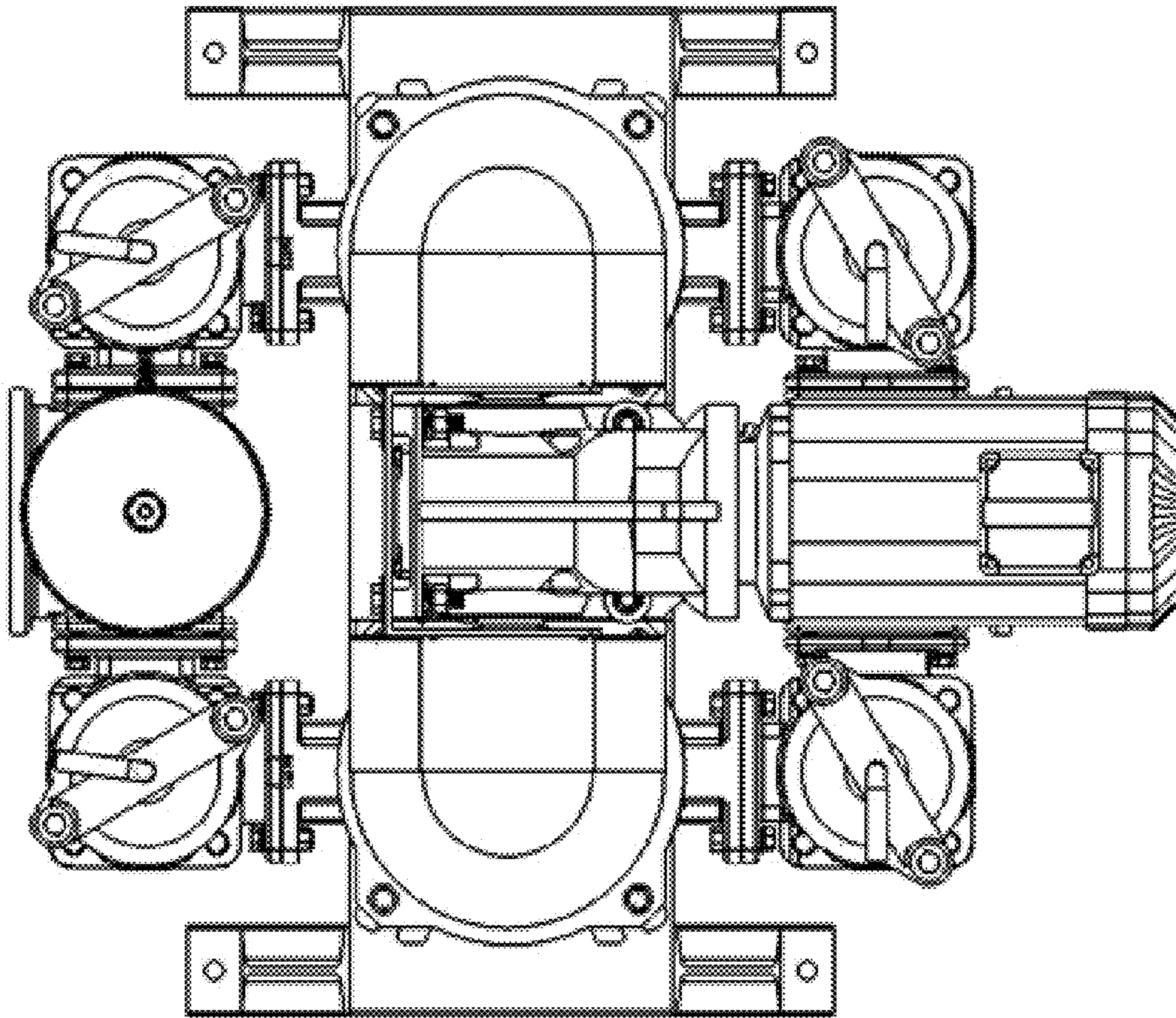


Fig. 5

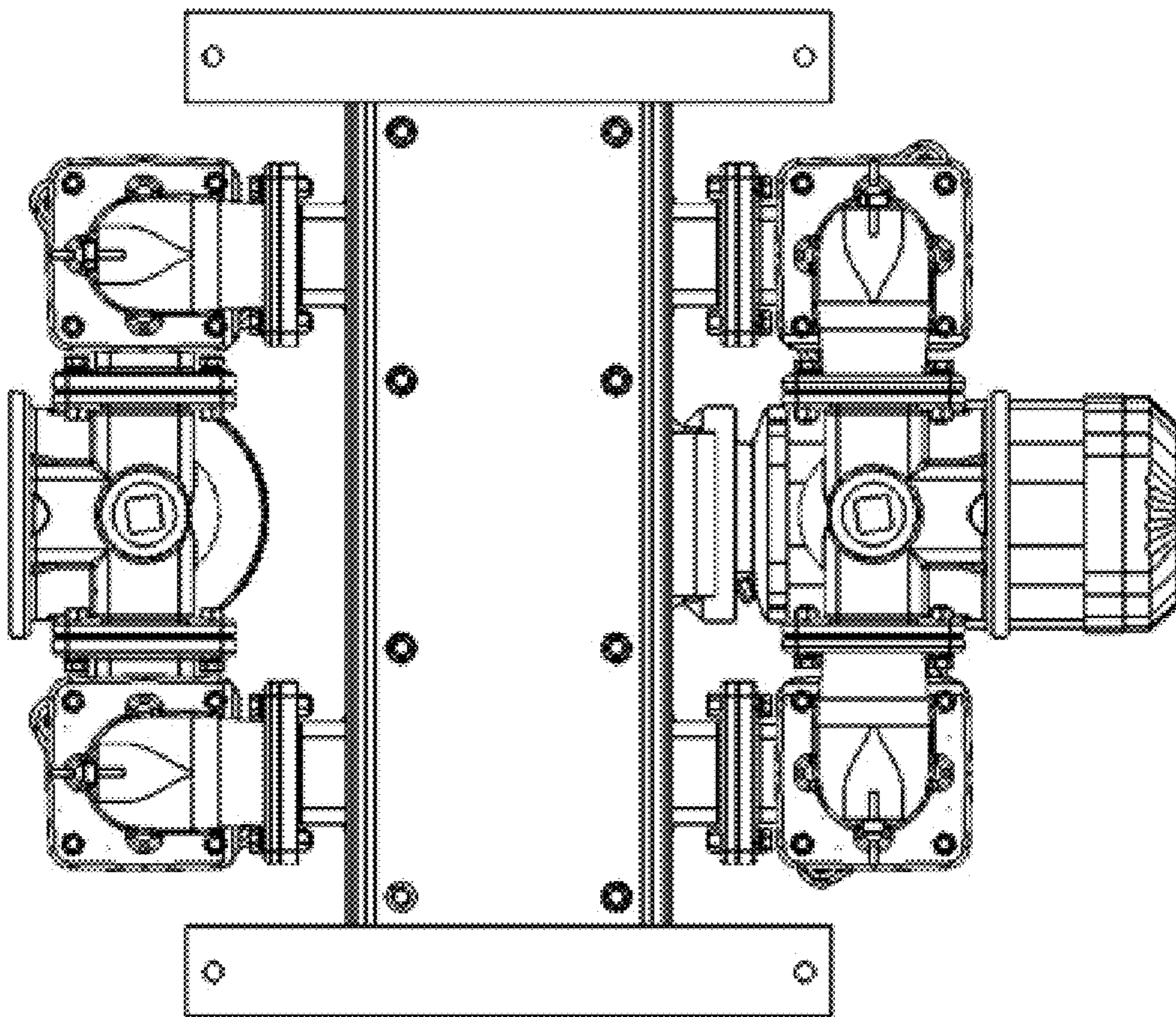


Fig. 6

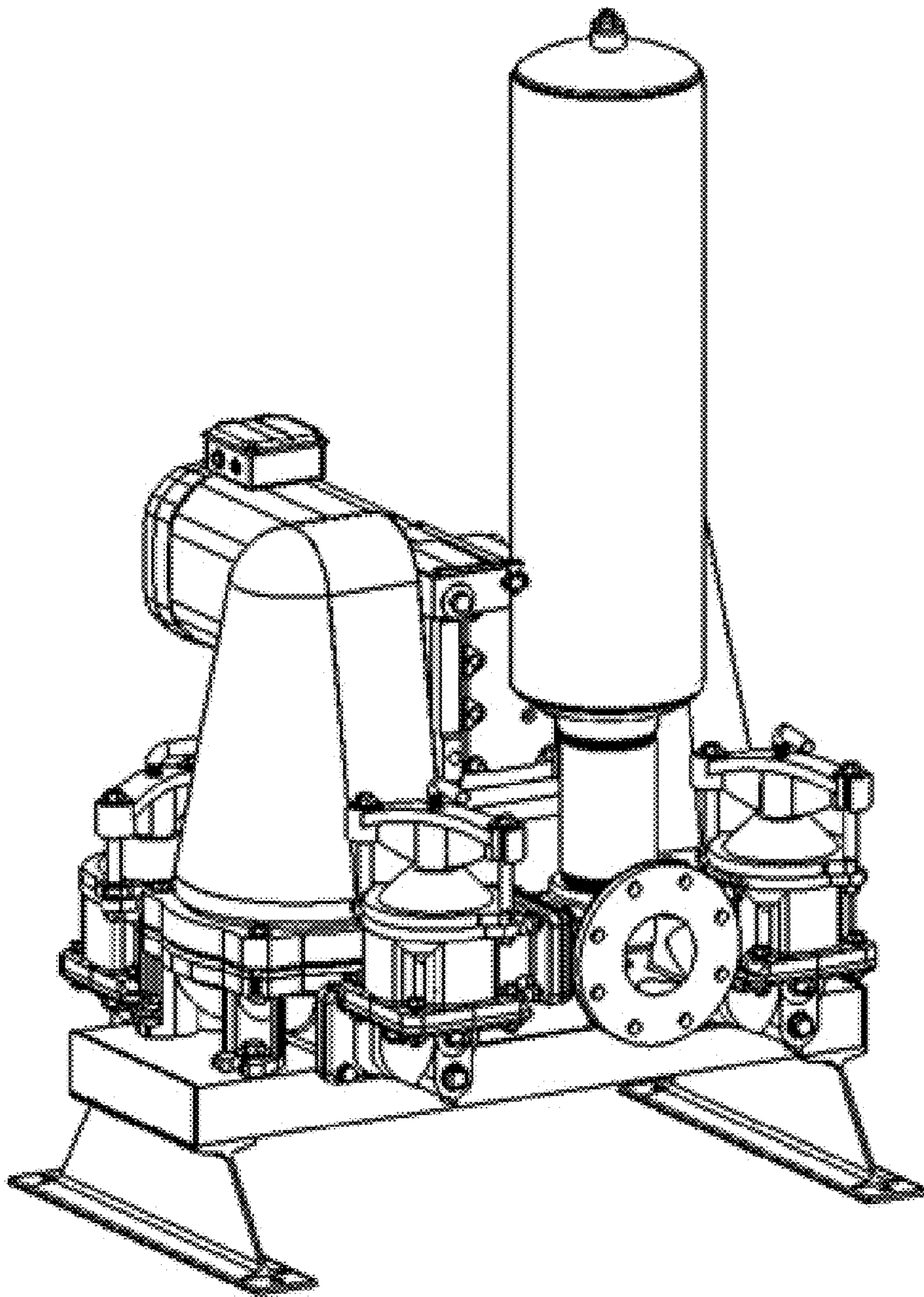


Fig. 7

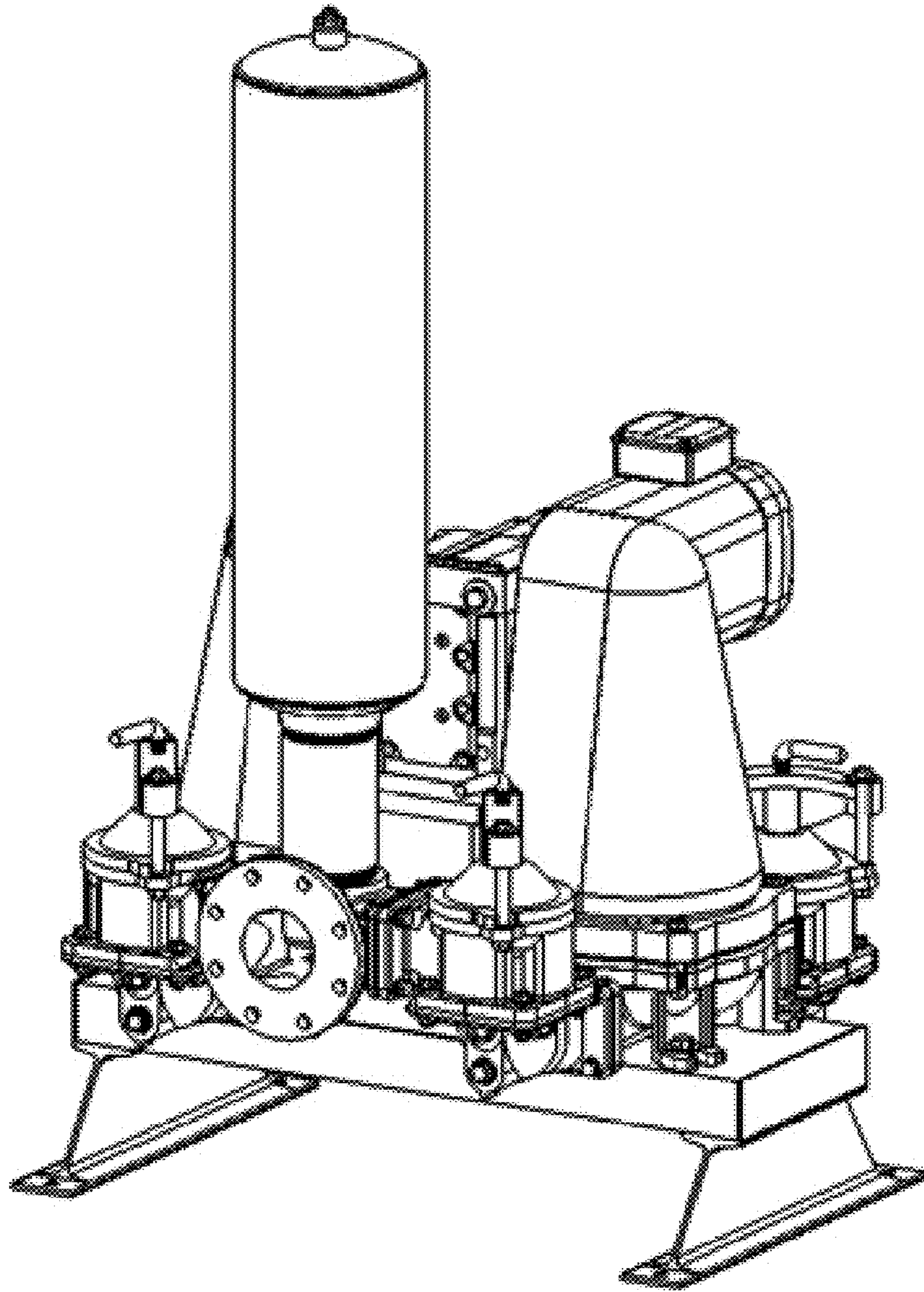


Fig. 8

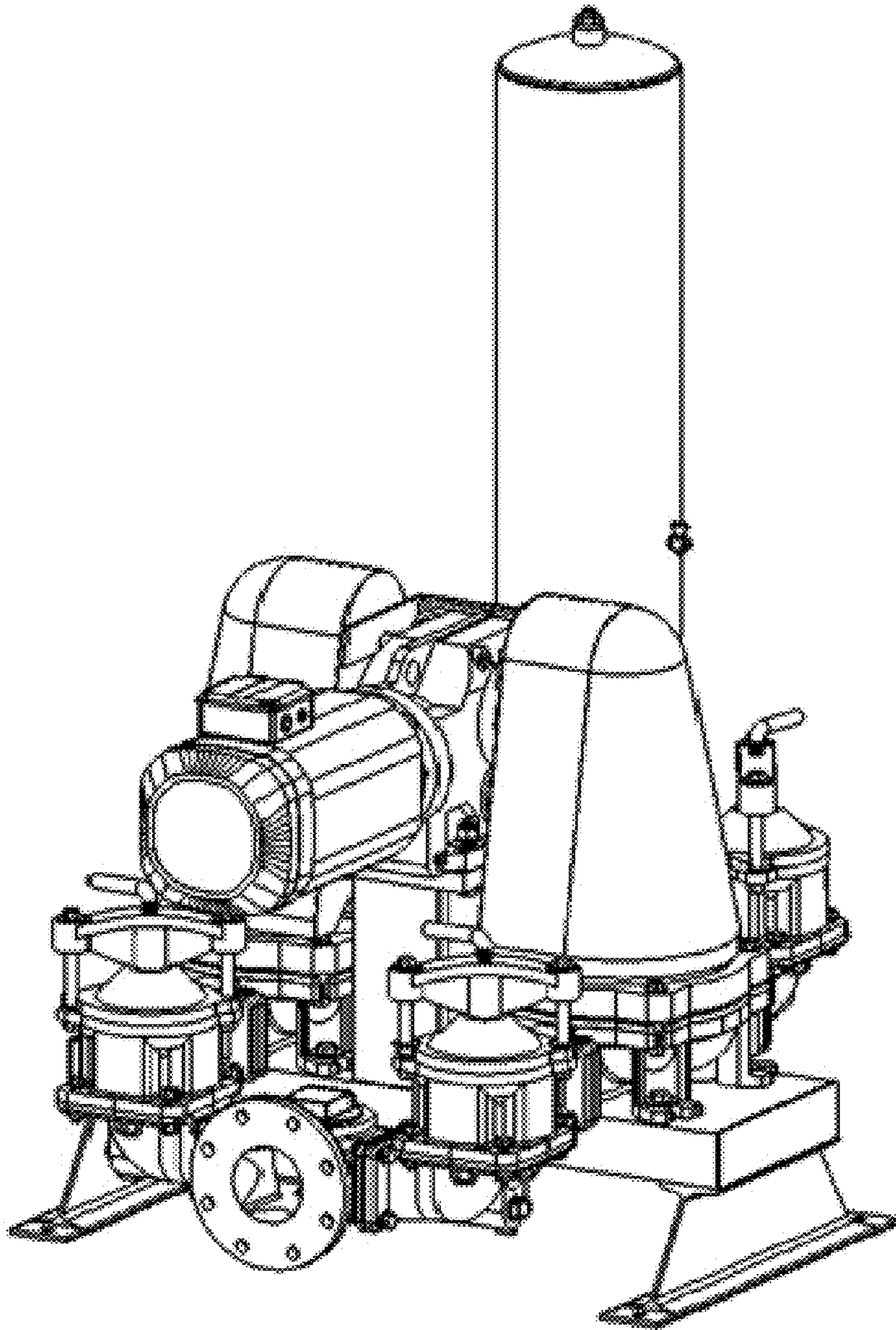


Fig. 9

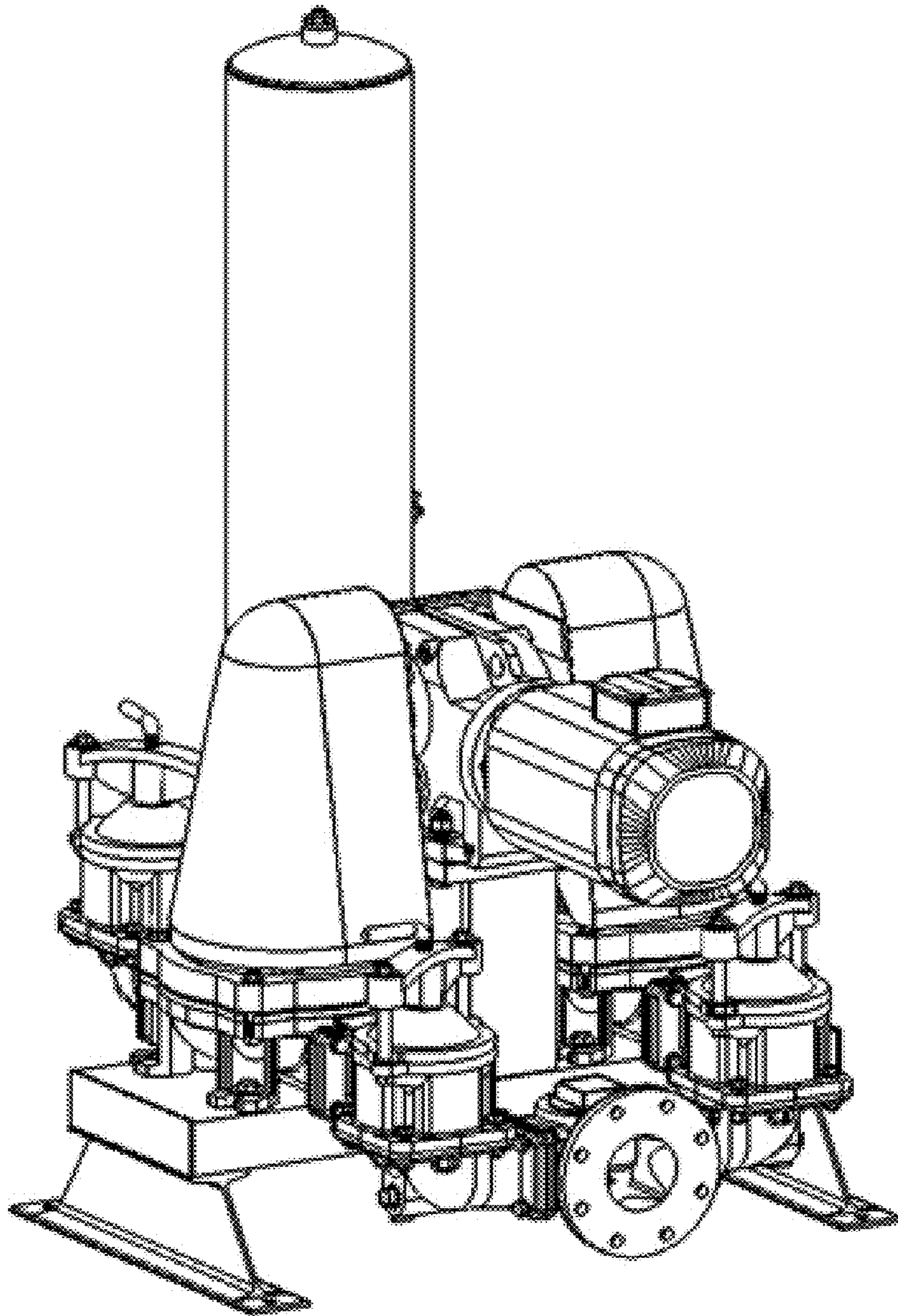


Fig. 10