



US00D677280S

(12) **United States Design Patent**
Petty et al.

(10) **Patent No.:** **US D677,280 S**
(45) **Date of Patent:** **** Mar. 5, 2013**

- (54) **VIDEO CONVERTER**
- (75) Inventors: **Grant Petty**, Melbourne (AU); **Simon Kidd**, Prahran (AU); **Stuart Elford**, Williamstown (AU)
- (73) Assignee: **Blackmagic Design Pty Ltd** (AU)
- (**) Term: **14 Years**
- (21) Appl. No.: **29/404,088**
- (22) Filed: **Oct. 14, 2011**
- (51) **LOC (9) Cl.** **14-01**
- (52) **U.S. Cl.** **D14/496**
- (58) **Field of Classification Search** D14/496,
D14/401, 435, 474, 483, 217, 137, 138, 160,
D14/168, 356, 203.1–203.8, 507; 345/156,
345/169, 173–179, 905; 715/727–729, 864;
710/1, 5, 8; 713/1, 600; 455/1.1, 1.7, 73,
455/344–347, 93, 95, 3.01–3.06, 550.1, 573.1,
455/41.3, 557, 556.1; 370/342–344; 369/1,
369/2, 6–12; 463/43–47; 273/148 B; 340/825.69;
725/37, 86, 87, 98, 100, 105; 348/739
See application file for complete search history.

D437,860 S *	2/2001	Suzuki et al.	D14/496
6,275,882 B1 *	8/2001	Cheever et al.	710/302
D451,102 S *	11/2001	Huang	D14/496
D479,847 S *	9/2003	Wang	D14/496
D487,087 S *	2/2004	Wang	D14/357
6,908,387 B2 *	6/2005	Hedrick et al.	463/31
7,090,582 B2 *	8/2006	Danieli et al.	463/35
D636,407 S *	4/2011	Lee	D14/496
D644,247 S *	8/2011	Kim et al.	D14/496

* cited by examiner

Primary Examiner — Prabhakar Deshmukh

(74) *Attorney, Agent, or Firm* — SAIDMAN DesignLaw Group

(57) **CLAIM**

The ornamental design for a video converter, as shown and described.

DESCRIPTION

FIG. 1 is top, front perspective view of a video converter showing our new design;
 FIG. 2 is a top, rear perspective view thereof;
 FIG. 3 is a front plan view thereof;
 FIG. 4 is a top plan view thereof;
 FIG. 5 is a rear plan view thereof;
 FIG. 6 is a bottom plan view thereof;
 FIG. 7 is a right side view thereof; and,
 FIG. 8 is a left side view thereof.

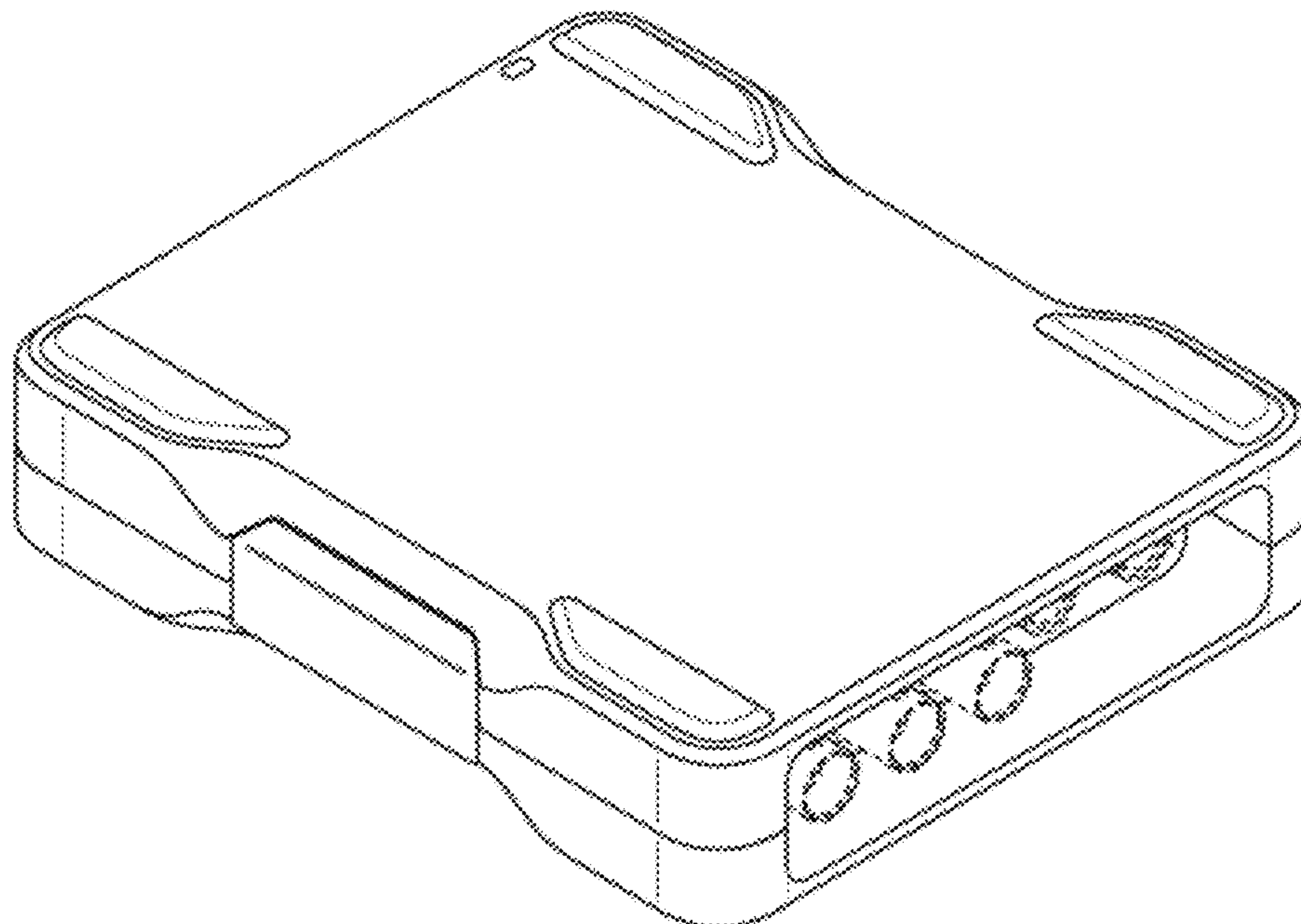
The broken lines are for the purpose of illustrating portions of the video converter and form no part of the claimed design.

1 Claim, 3 Drawing Sheets

(56) **References Cited**

U.S. PATENT DOCUMENTS

5,552,799 A *	9/1996	Hashiguchi	345/3.2
5,754,713 A *	5/1998	Deguchi et al.	382/313
5,978,819 A *	11/1999	Berstis	715/205
6,052,472 A *	4/2000	Lo	381/123



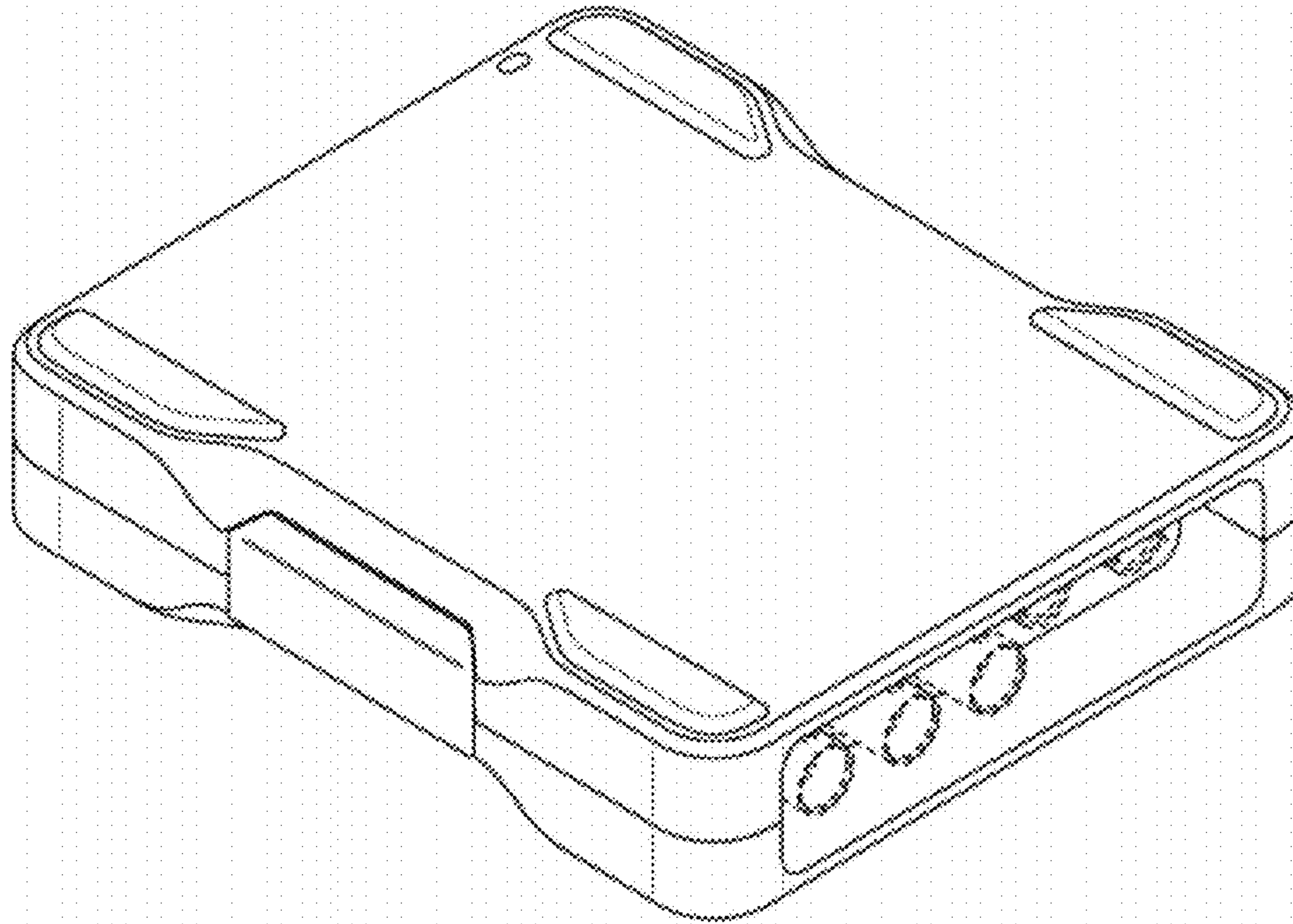


FIG. 1

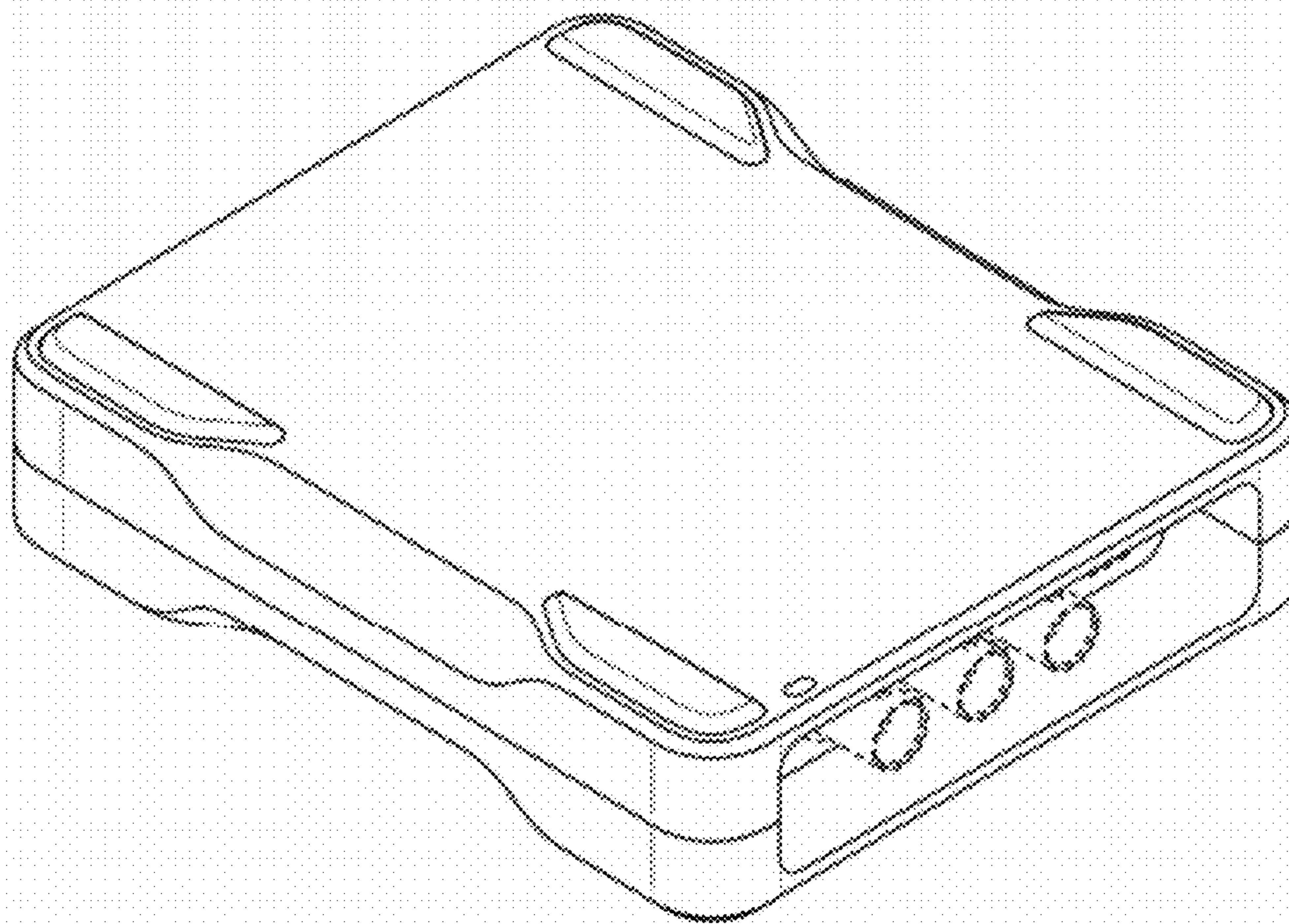


FIG. 2

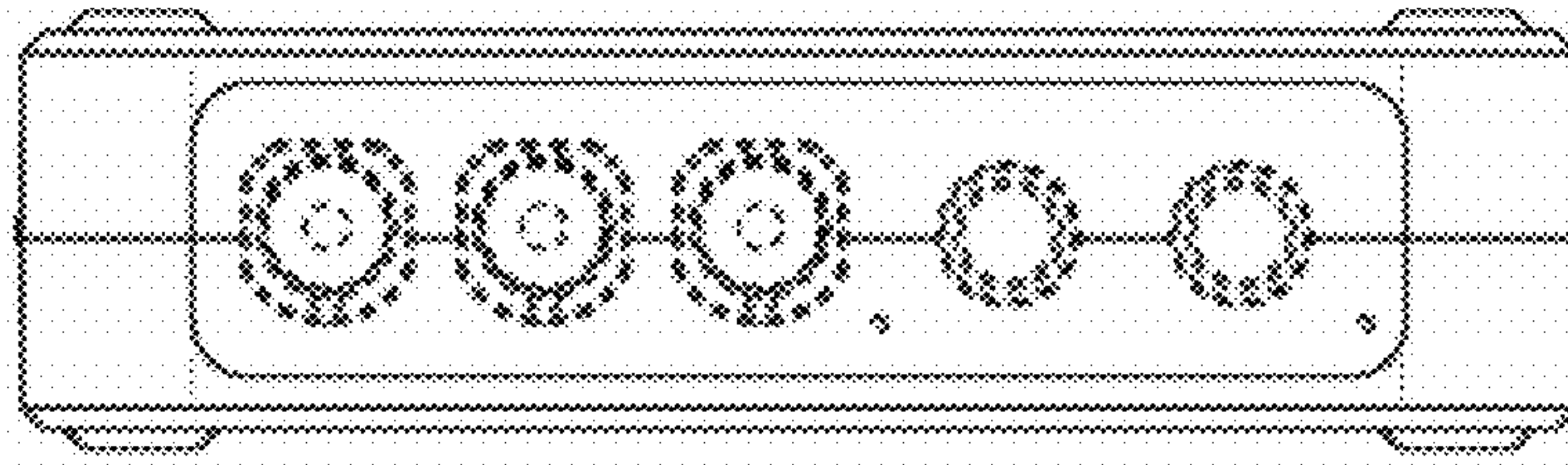


FIG. 3

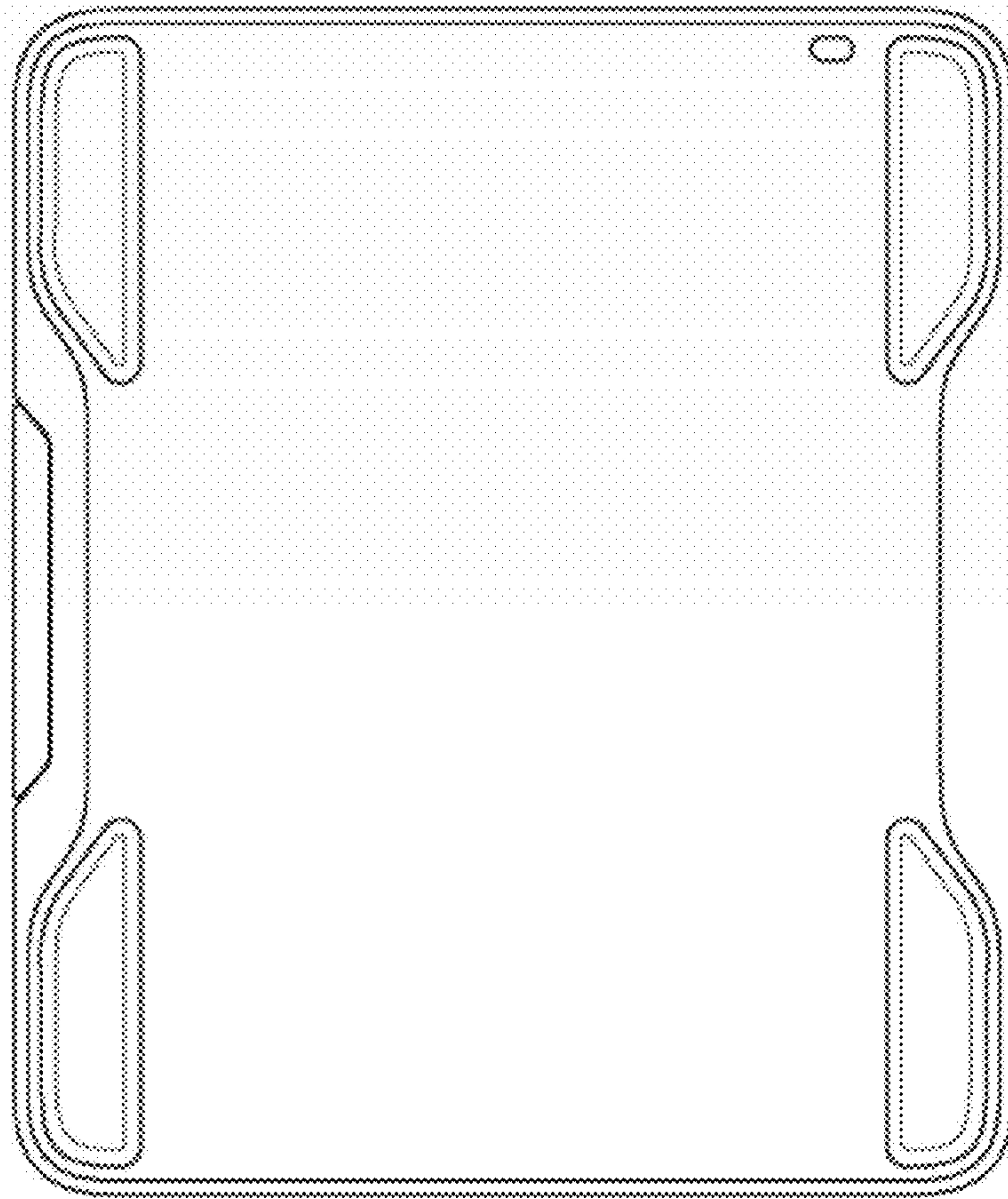


FIG. 4

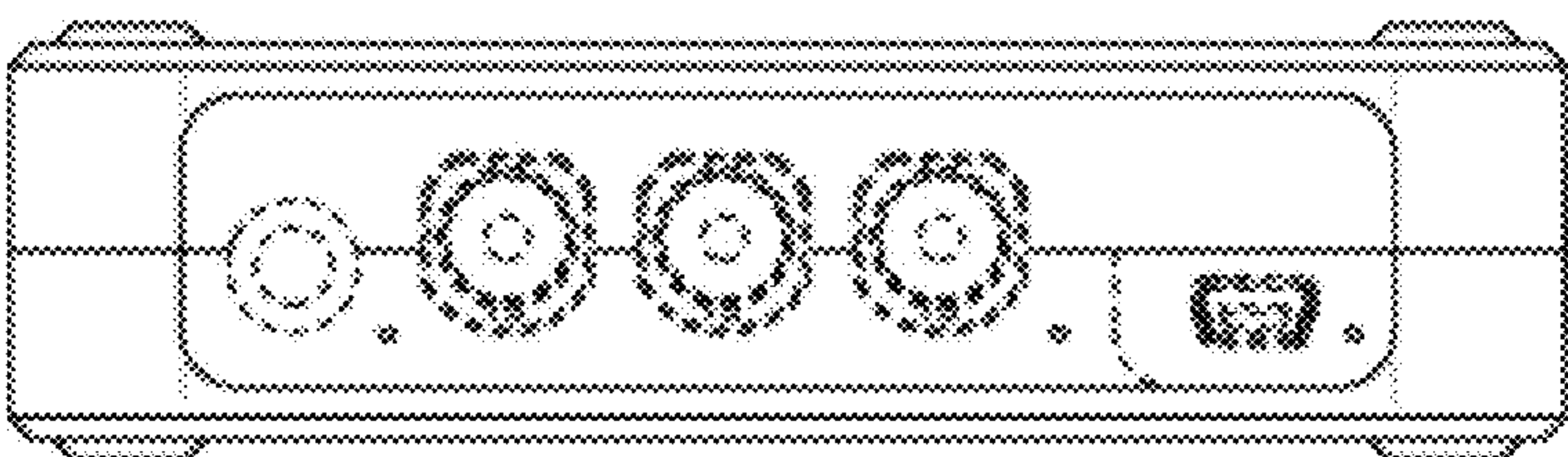


FIG. 5

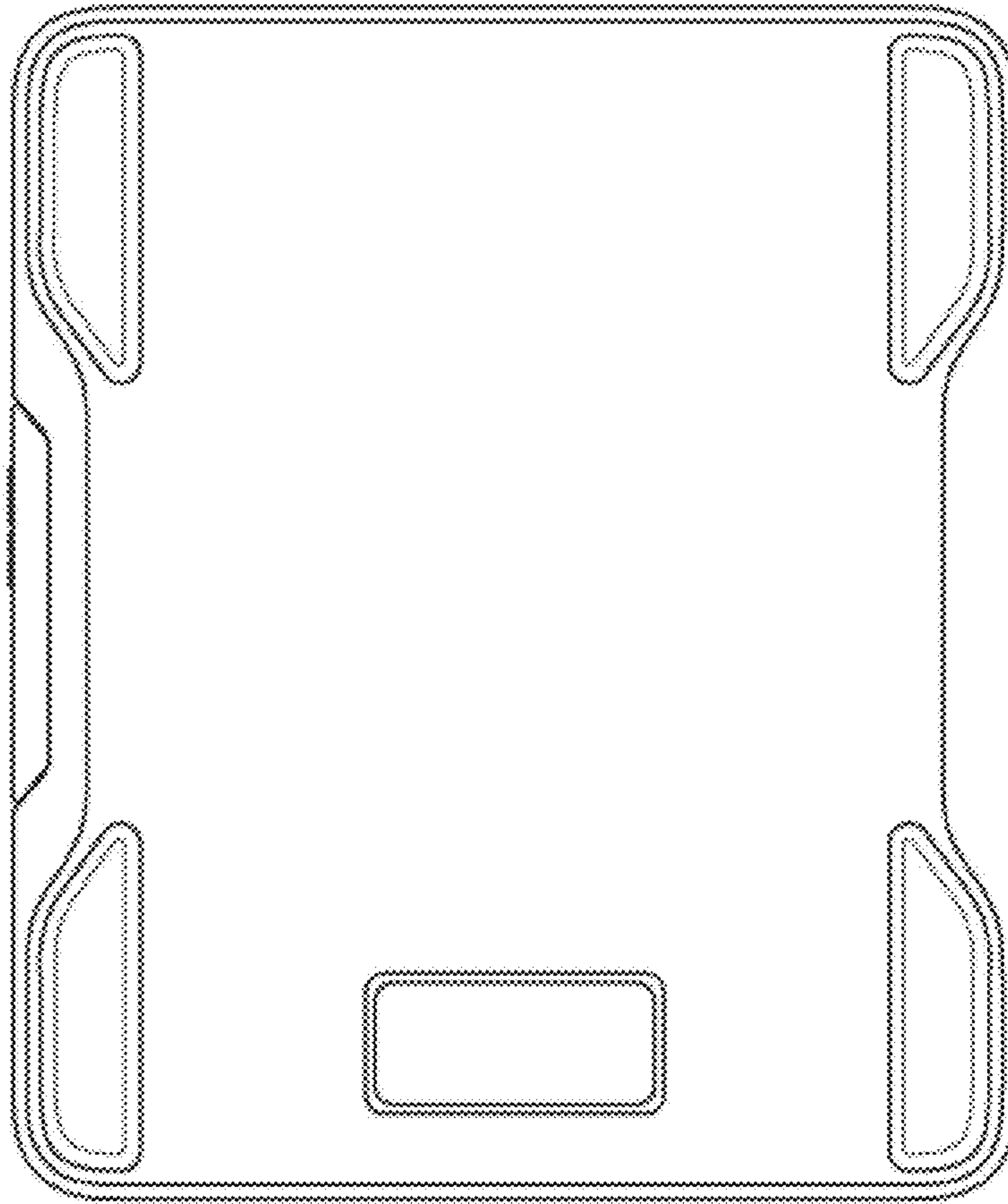


FIG. 6

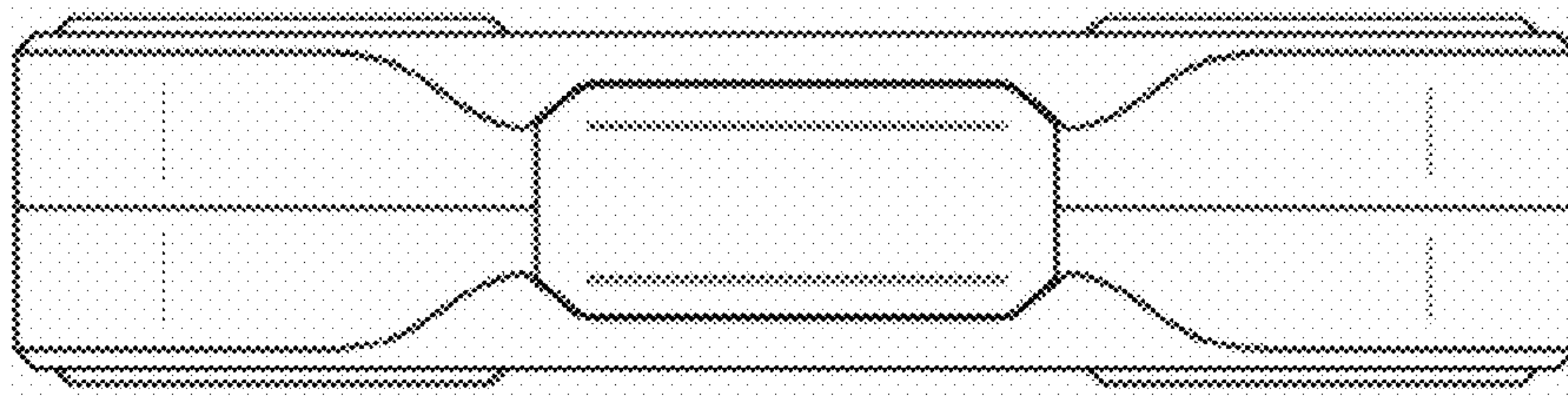


FIG. 7

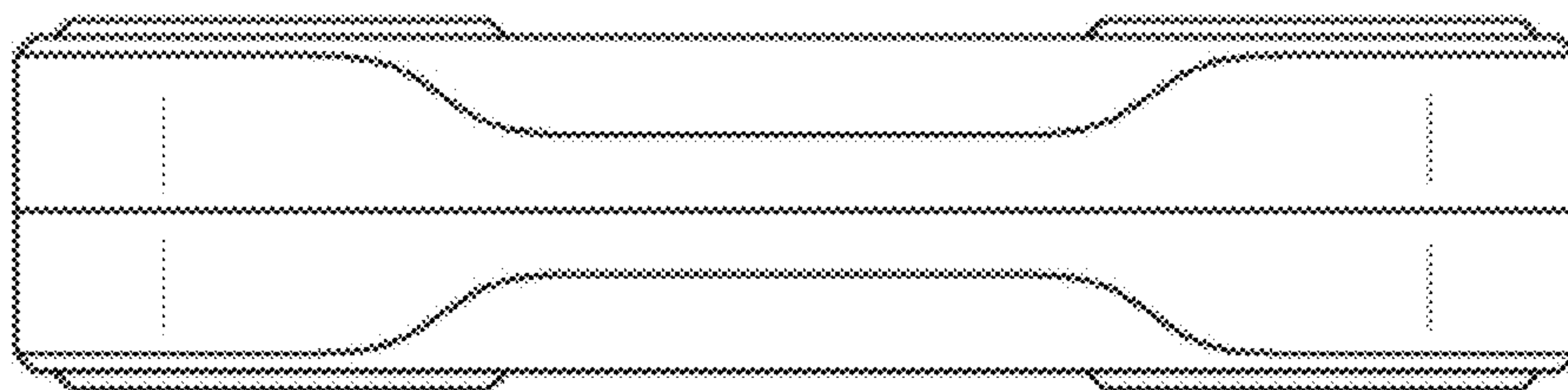


FIG. 8