



US00D677266S

(12) **United States Design Patent**
Chen et al.

(10) **Patent No.:** **US D677,266 S**

(45) **Date of Patent:** **** *Mar. 5, 2013**

(54) **HOUSING FOR A PORTABLE MEMORY DEVICE**

(75) Inventors: **Ching Hung Chen**, Fengyuan (TW); **Hsi Ming Tsai**, Zhudong Township (TW); **Feng Sheng Lin**, Daxi Township (TW); **Chang-Hsing Lin**, Meishan Township (TW)

(73) Assignee: **Kingston Technology Corporation**, Fountain Valley, CA (US)

(*) Notice: This patent is subject to a terminal disclaimer.

(**) Term: **14 Years**

(21) Appl. No.: **29/373,202**

(22) Filed: **Mar. 15, 2011**

(51) **LOC (9) Cl.** **14-02**

(52) **U.S. Cl.** **D14/480.5**

(58) **Field of Classification Search** D14/411, D14/433, 435.1, 436, 480.1–480.7, 484.1, D14/137, 155, 203.1–203.8, 240; D13/133, D13/154; 710/300, 301; 439/131, 135–147; 361/679.31, 679.33, 679.4, 752; 711/100, 711/115

See application file for complete search history.

(56) **References Cited**

U.S. PATENT DOCUMENTS

D213,701	S	*	4/1969	Leeming	D10/65
D480,389	S	*	10/2003	Schulz et al.	D14/240
D537,820	S	*	3/2007	Hsu	D14/480.1
D548,233	S	*	8/2007	Loftus	D14/480.5
D556,210	S	*	11/2007	Choi et al.	D14/496
7,443,691	B1	*	10/2008	Davis	361/752
D583,816	S	*	12/2008	Guccione et al.	D14/480.5
D587,266	S	*	2/2009	Deguchi	D14/480.7
D610,134	S	*	2/2010	Gotzen	D14/480.5
D620,946	S	*	8/2010	Lo	D14/480.5
2005/0157462	A1	*	7/2005	Sugawara et al.	361/684
2008/0189486	A1	*	8/2008	Nguyen et al.	711/115

* cited by examiner

Primary Examiner — Karen E Kearney

(74) *Attorney, Agent, or Firm* — Duncan Palmatier

(57) **CLAIM**

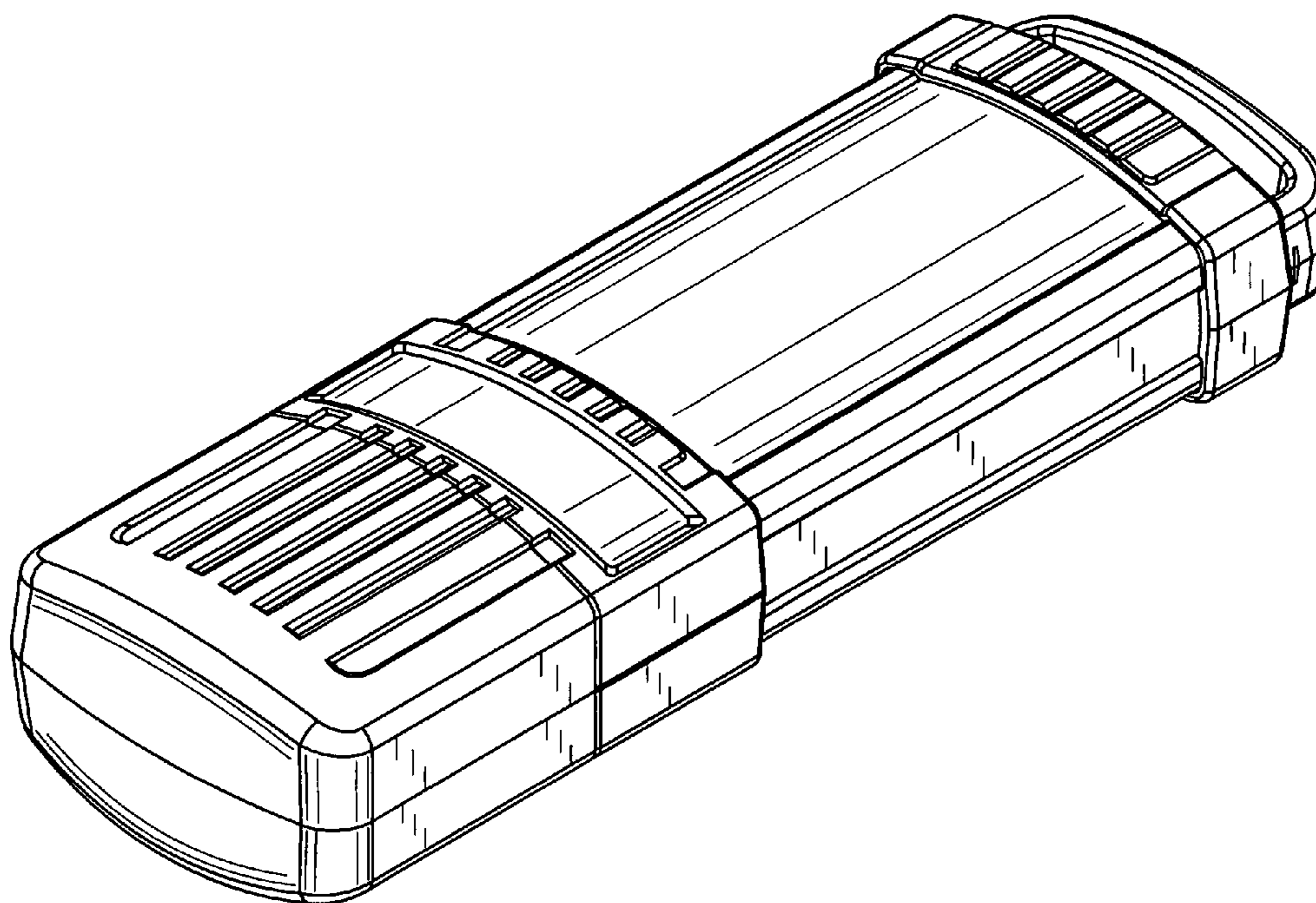
The ornamental design for the housing for a portable memory device, as shown and described.

DESCRIPTION

FIG. 1 is a rear, bottom perspective view of a housing for a portable memory device showing our new design; FIG. 2 is a top view thereof; FIG. 3 is a left side view thereof; FIG. 4 is a bottom view thereof; FIG. 5 is a rear view thereof; and, FIG. 6 is a front view thereof.

The broken lines showing the connector feature are for the purpose of illustrating environmental structure and form no part of the claimed design.

1 Claim, 6 Drawing Sheets



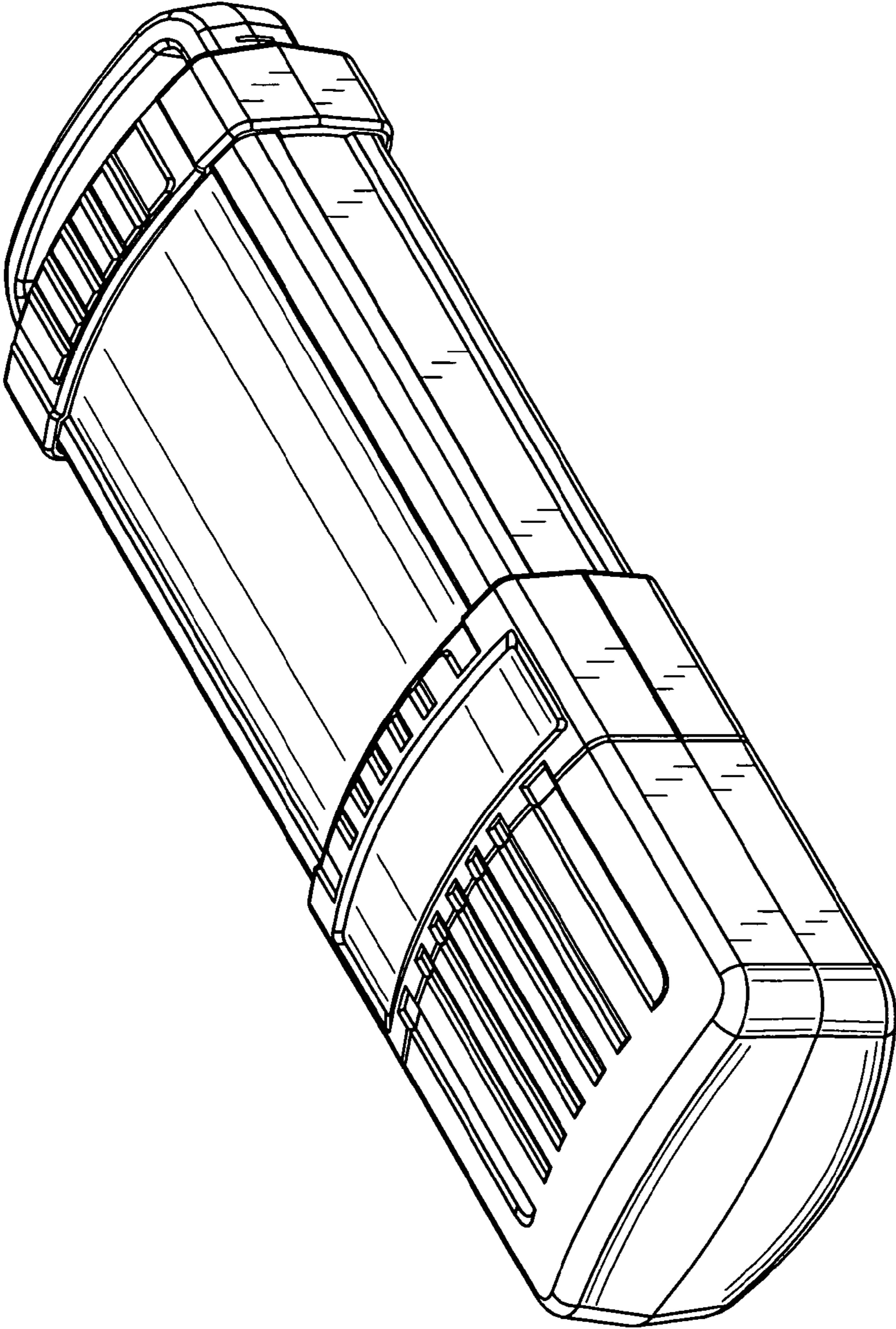


FIG. 1

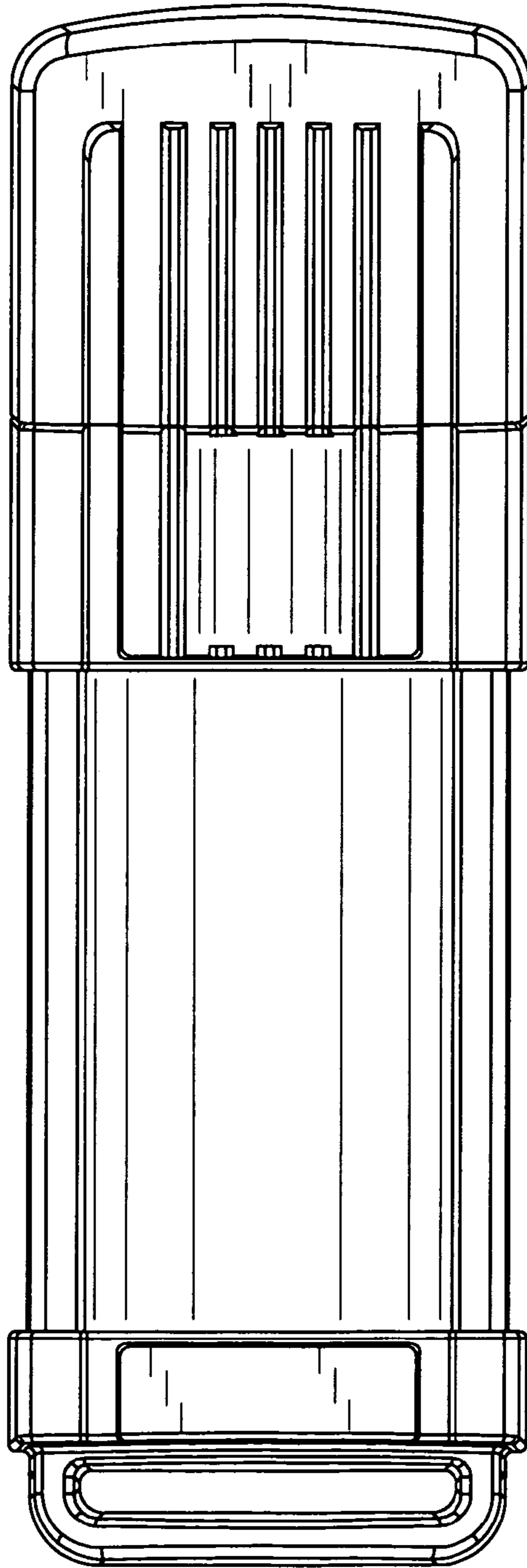


FIG. 2

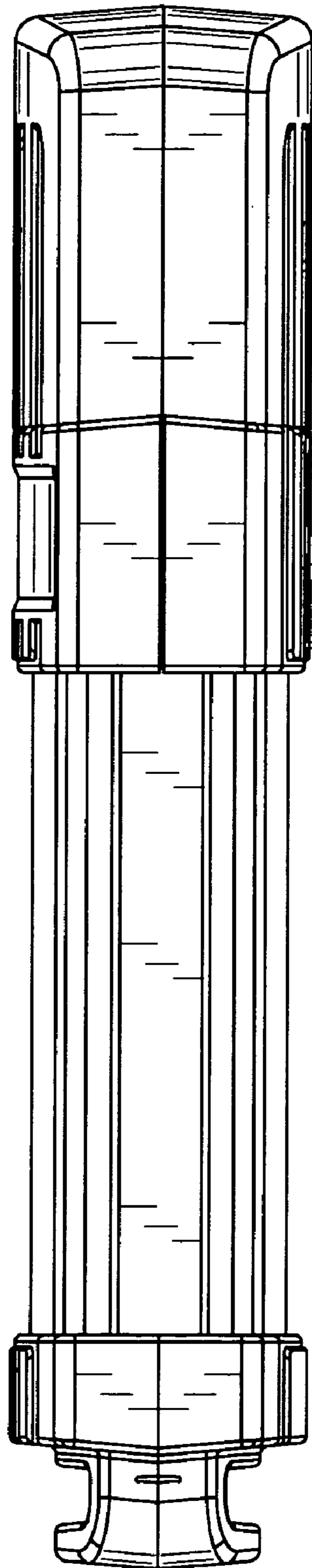


FIG. 3

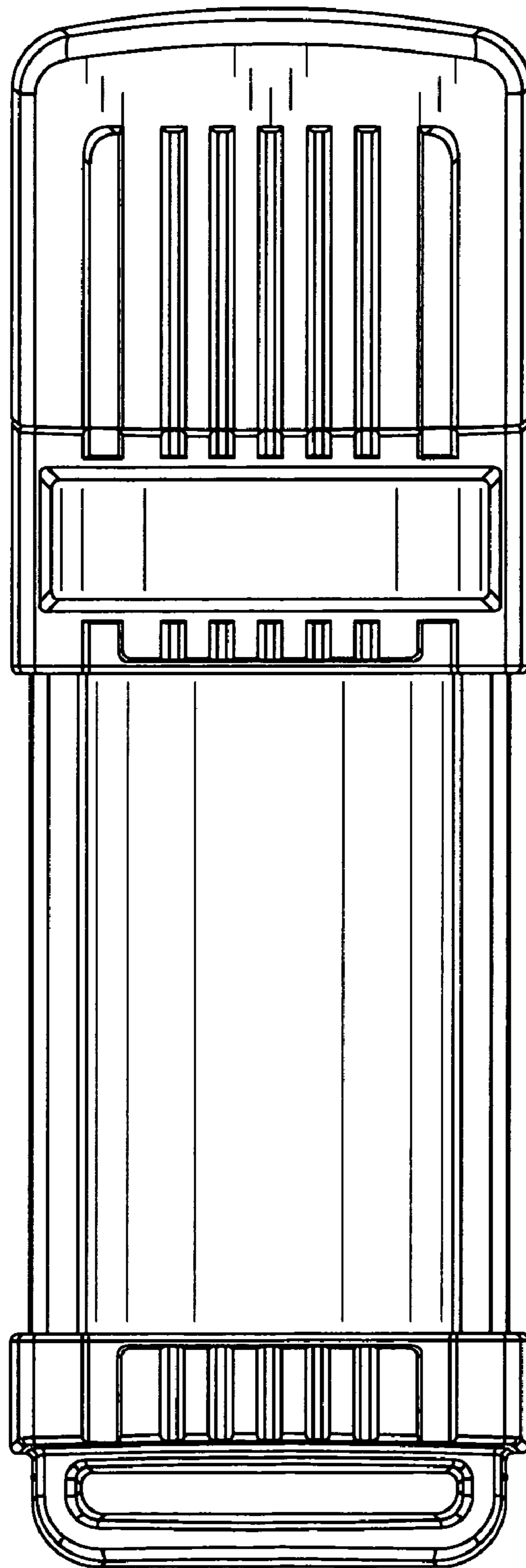


FIG. 4

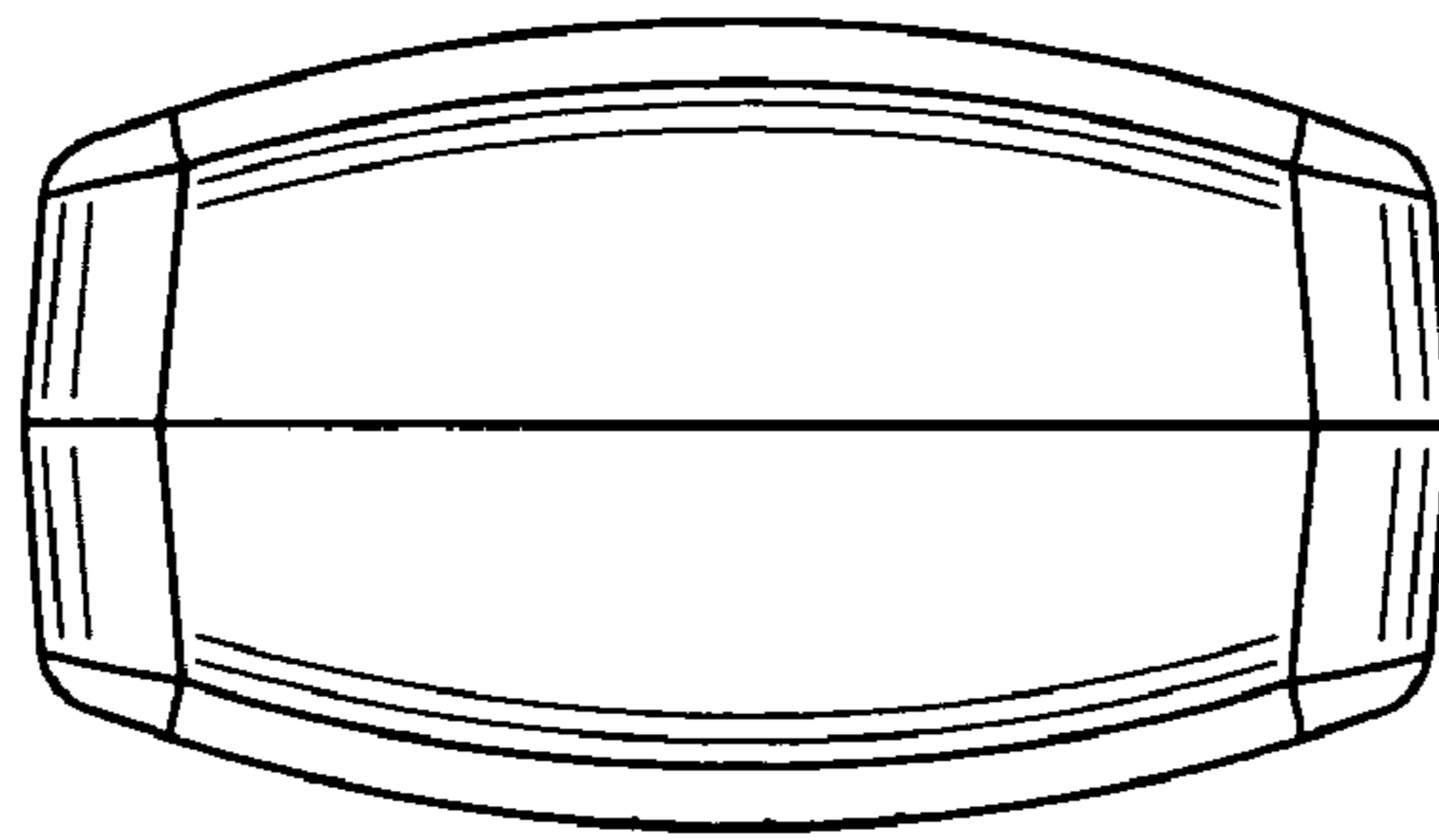


FIG. 5

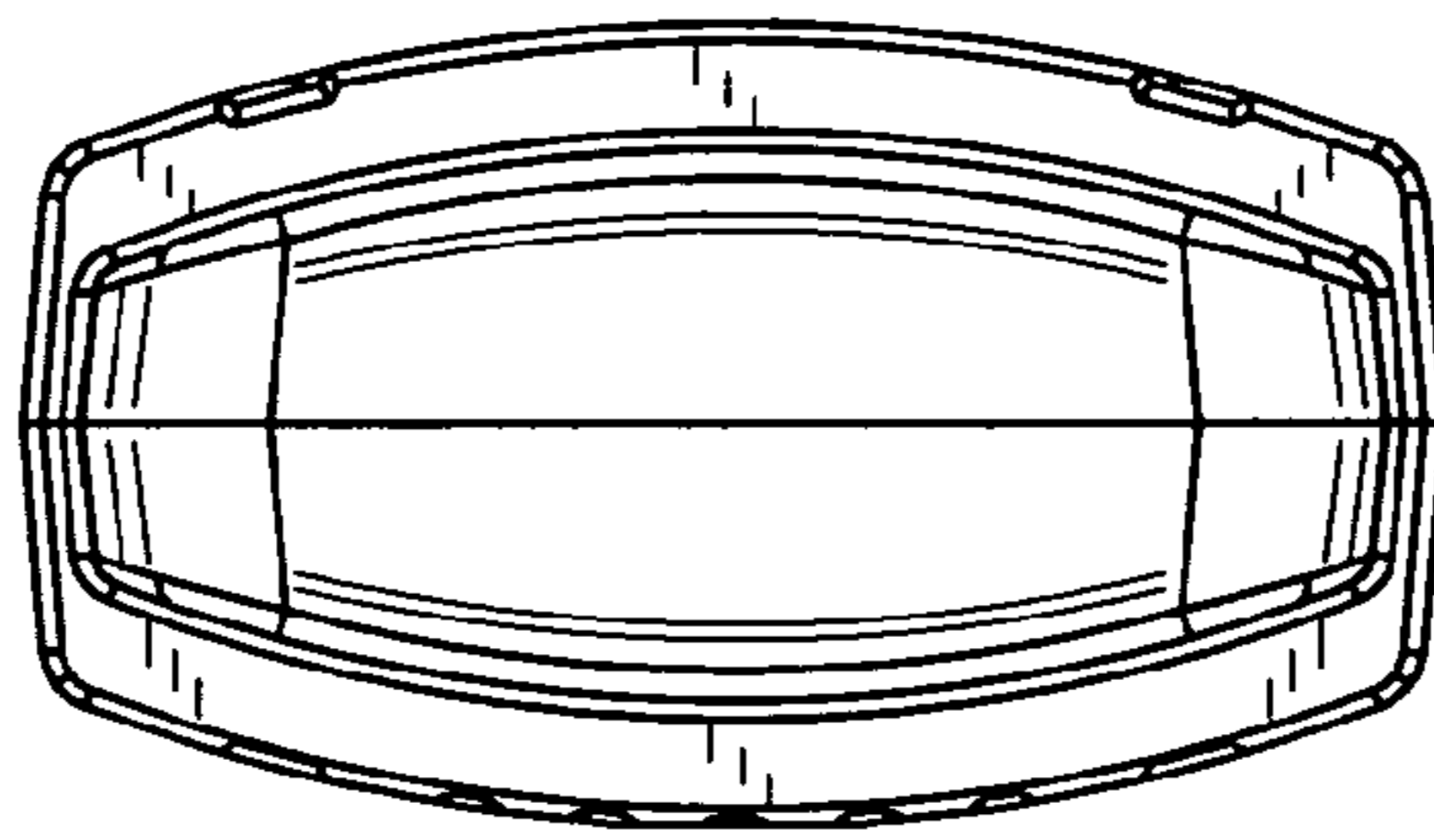


FIG. 6