

US00D677265S

(12) **United States Design Patent**
Lu et al.

(10) **Patent No.:** **US D677,265 S**
(45) **Date of Patent:** **** Mar. 5, 2013**

(54) **DISPLAY WITH TRIANGLE-SLIDE FOLDING STAND**

(75) Inventors: **Yen Wen Lu**, Taipei (TW); **Chou Yu Chang**, Taipei (TW); **Kuei Ming Pan**, Taipei (TW)

(73) Assignee: **Compal Electronics, Inc.**, Taipei (TW)

(**) Term: **14 Years**

(21) Appl. No.: **29/419,538**

(22) Filed: **Apr. 30, 2012**

(51) **LOC (9) Cl.** **08-07**

(52) **U.S. Cl.** **D14/451**

(58) **Field of Classification Search** D14/451, D14/224, 239, 251, 316, 356, 366, 375, 376, D14/377, 434, 439, 447, 448, 452, 454, 455, D14/457, 469; D8/363, 323, 373, 349, 394; 248/121, 122.1, 124.1, 125.1, 125.7, 126, 248/127, 128, 133, 178.1, 183.2, 346.01, 248/346.06, 346.03, 371, 441.1, 454, 455, 248/917, 918, 919, 920, 921, 922, 923, 924, 248/229.1, 226.11, 226.12, 231.9, 274.1, 248/3.4; 361/683

See application file for complete search history.

(56) **References Cited**

U.S. PATENT DOCUMENTS

D463,409 S * 9/2002 Niitsu D14/239
D473,543 S * 4/2003 Powell et al. D14/217

D484,332 S * 12/2003 Niitsu D6/477
D523,321 S * 6/2006 Verbeek D8/323
D544,868 S * 6/2007 Katagiri et al. D14/451
D562,831 S * 2/2008 Katagiri et al. D14/451
D568,320 S * 5/2008 Katagiri et al. D14/451
2002/0126443 A1* 9/2002 Zodnik 361/683

* cited by examiner

Primary Examiner — Cynthia Ramirez

(74) *Attorney, Agent, or Firm* — Bacon & Thomas, PLLC

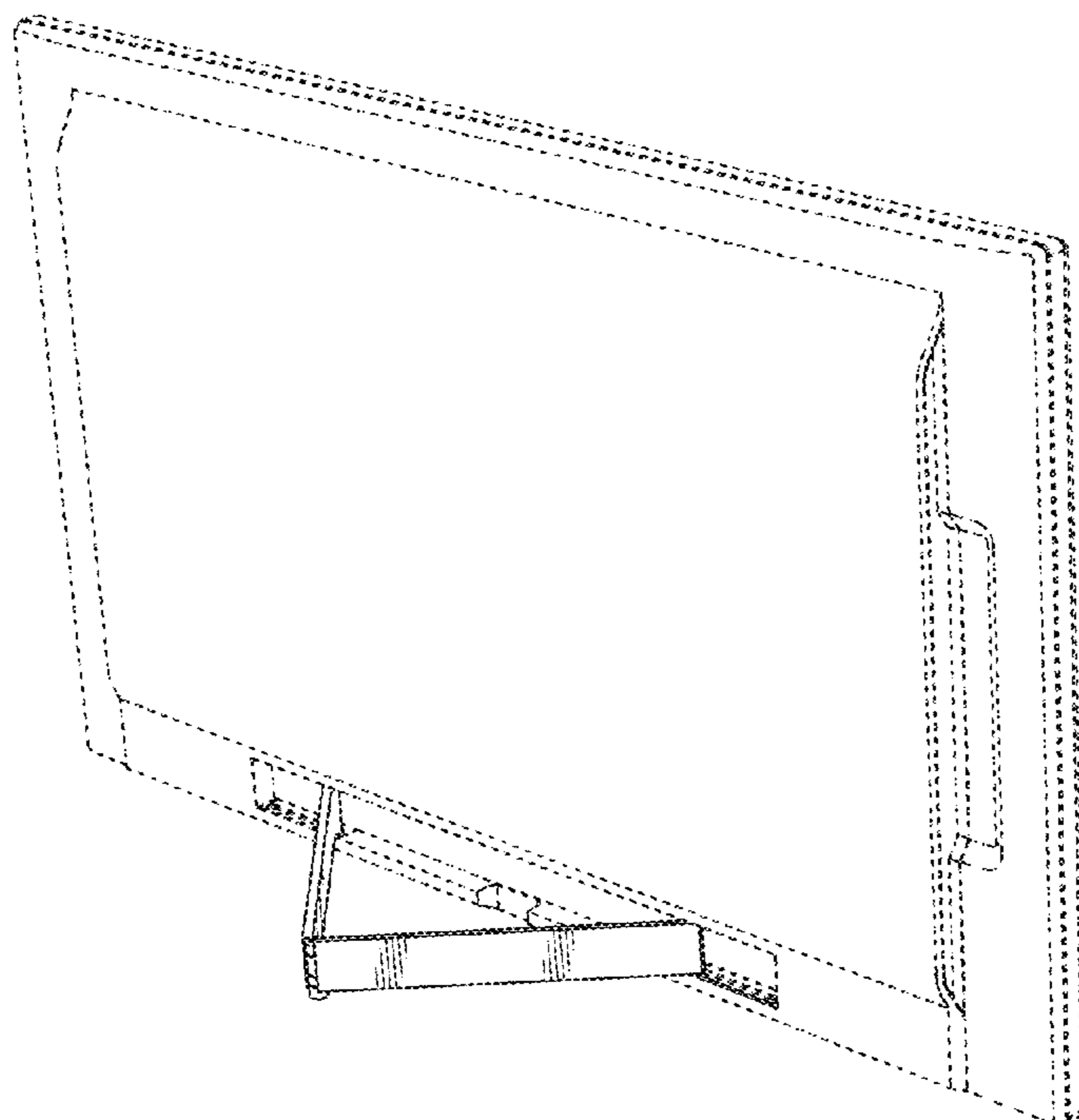
(57) **CLAIM**

The ornamental design for the display with triangle-slide folding stand, as shown and described.

DESCRIPTION

FIG. 1 is a rear perspective view of a display with triangle-slide folding stand showing our new design;
FIG. 2 is a front view thereof;
FIG. 3 is a rear view thereof;
FIG. 4 is a left side view thereof;
FIG. 5 is right side view thereof;
FIG. 6 is a top plan view thereof;
FIG. 7 is a bottom plan view thereof;
FIG. 8 is a rear reference perspective view thereof showing the state that the folding stand has been closed; and,
FIG. 9 is a front perspective view thereof.
The broken lines in the drawings are for illustrative purposes only and form no part of the claimed design.

1 Claim, 7 Drawing Sheets



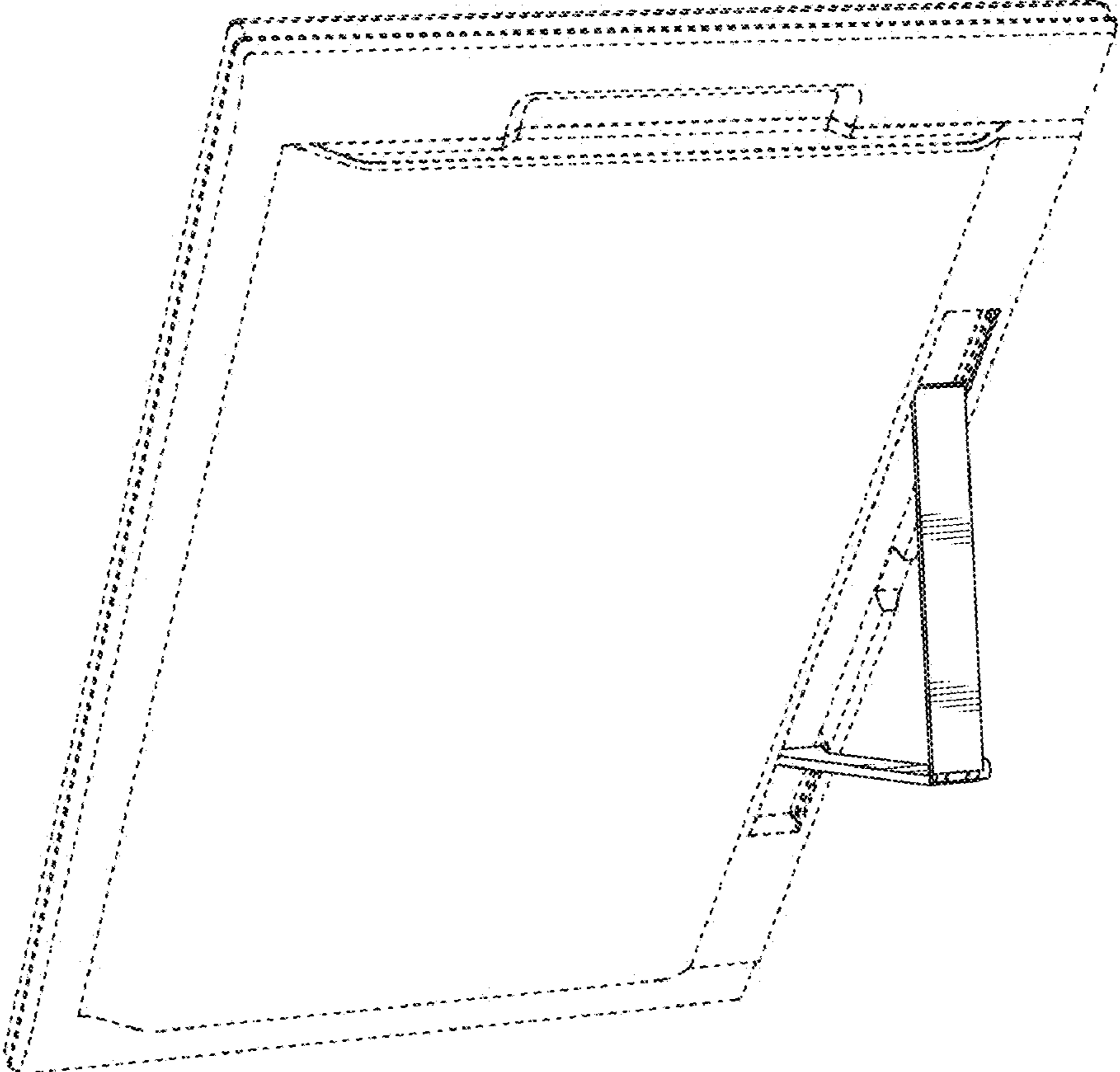


FIG. 1

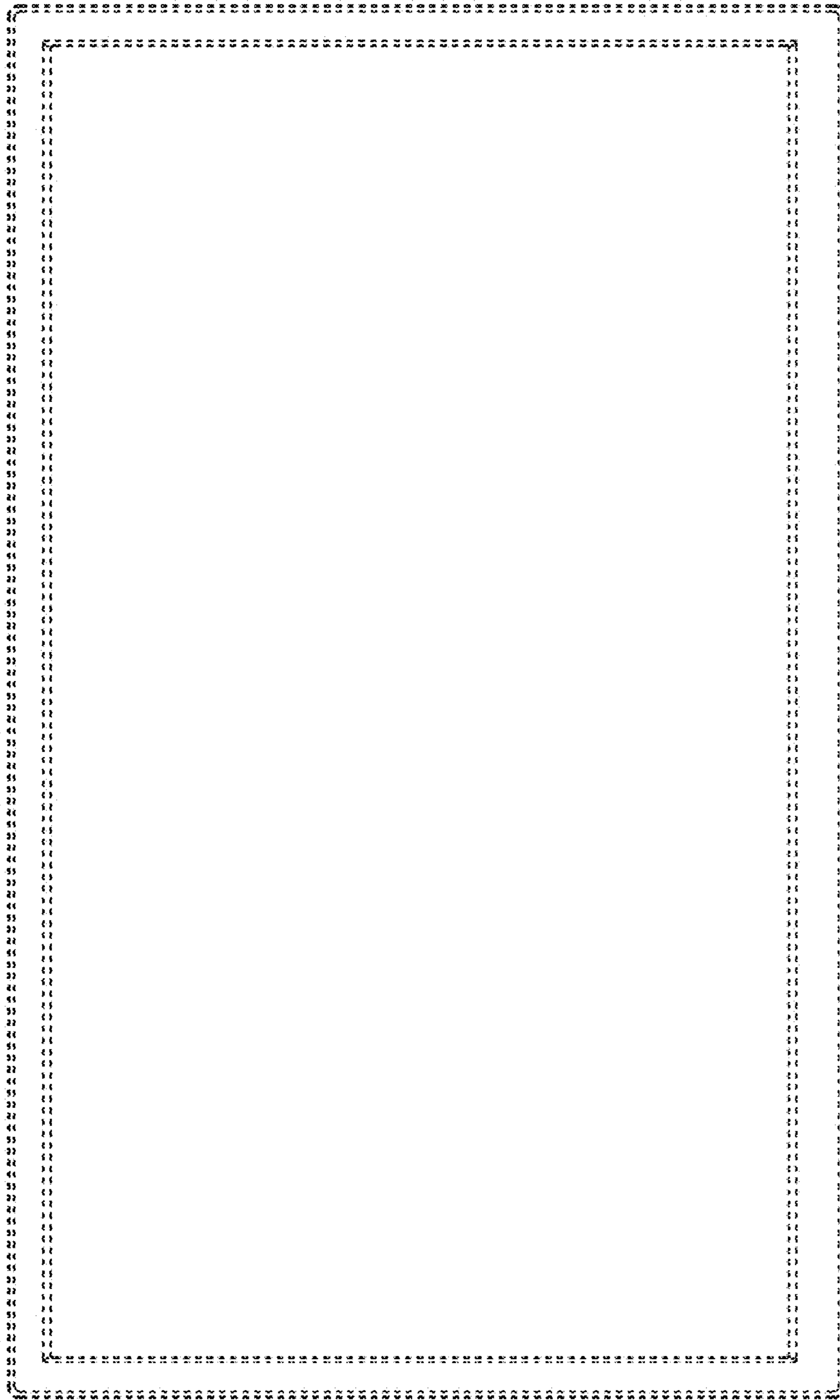


FIG. 2

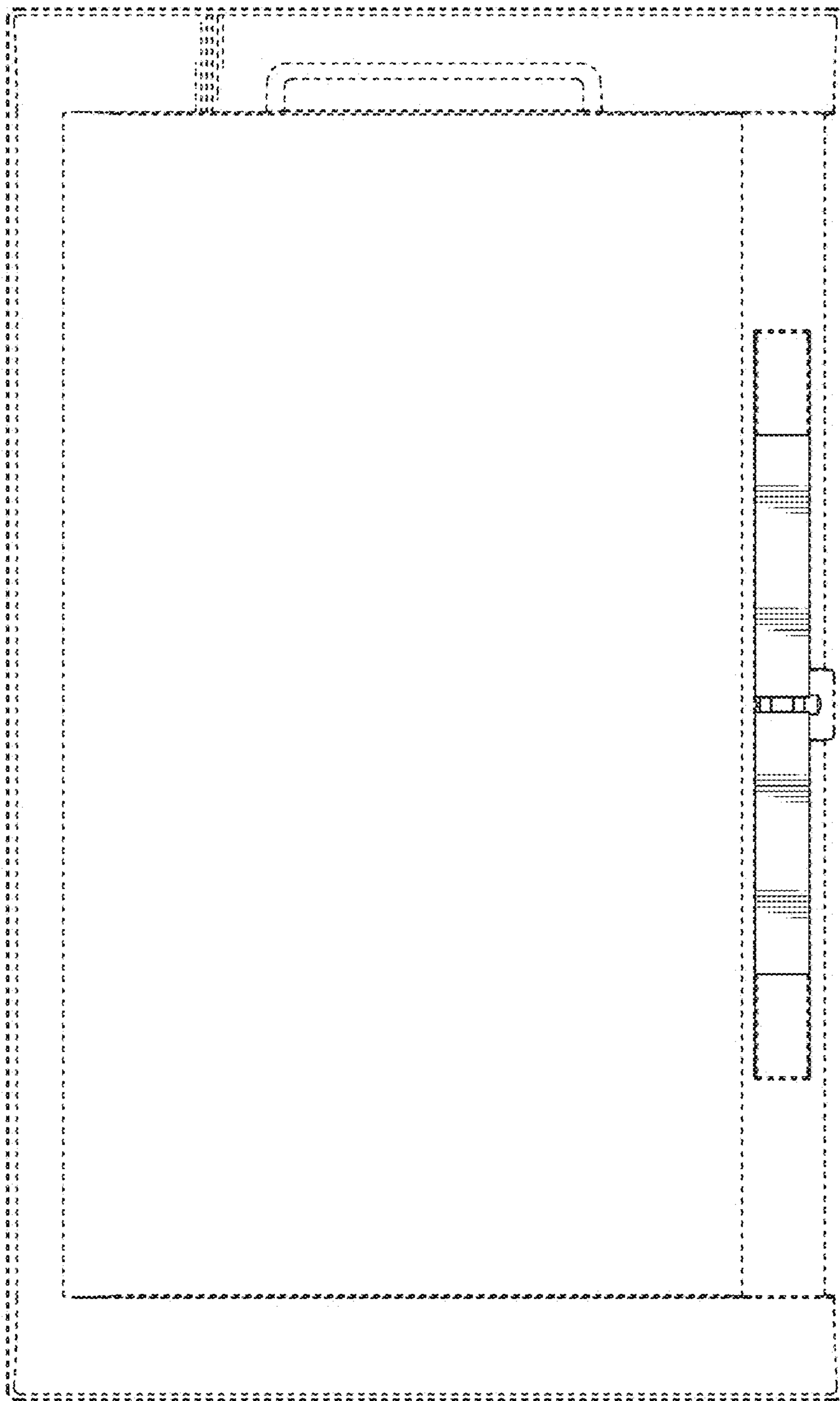


FIG. 3



FIG. 5

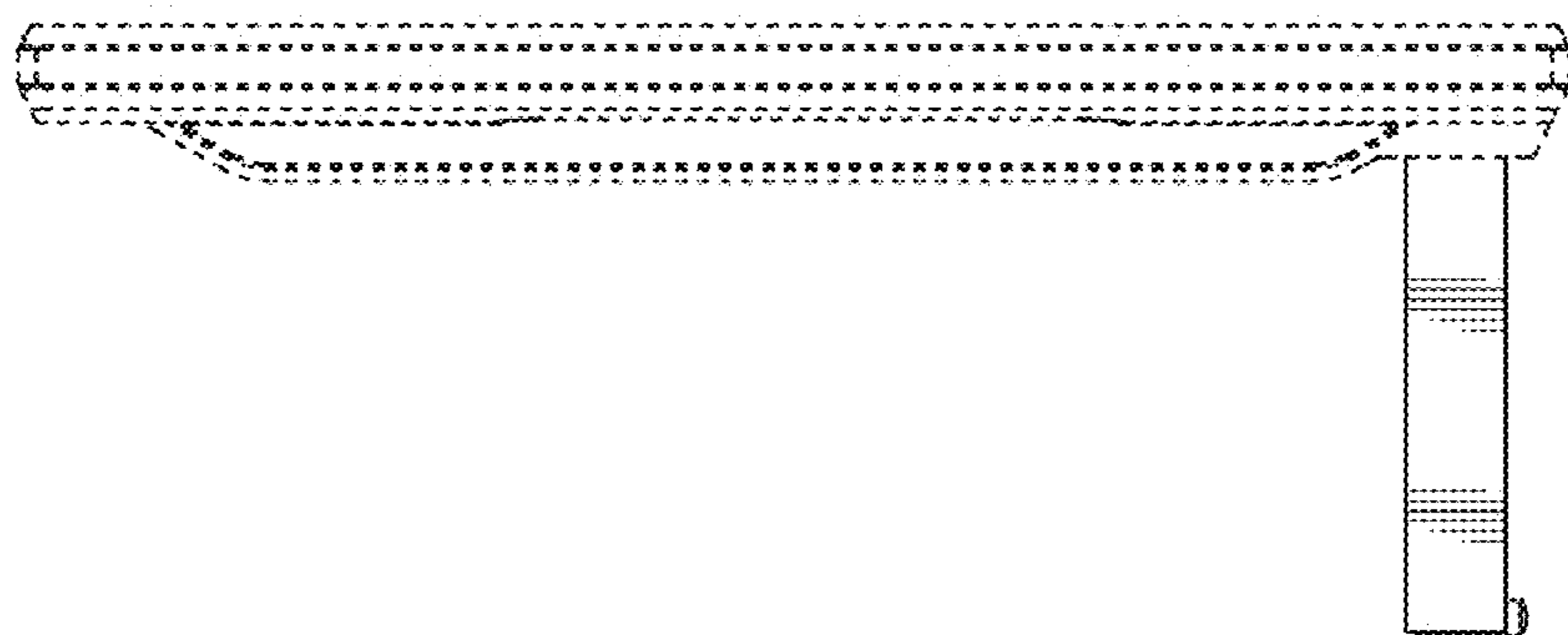


FIG. 4

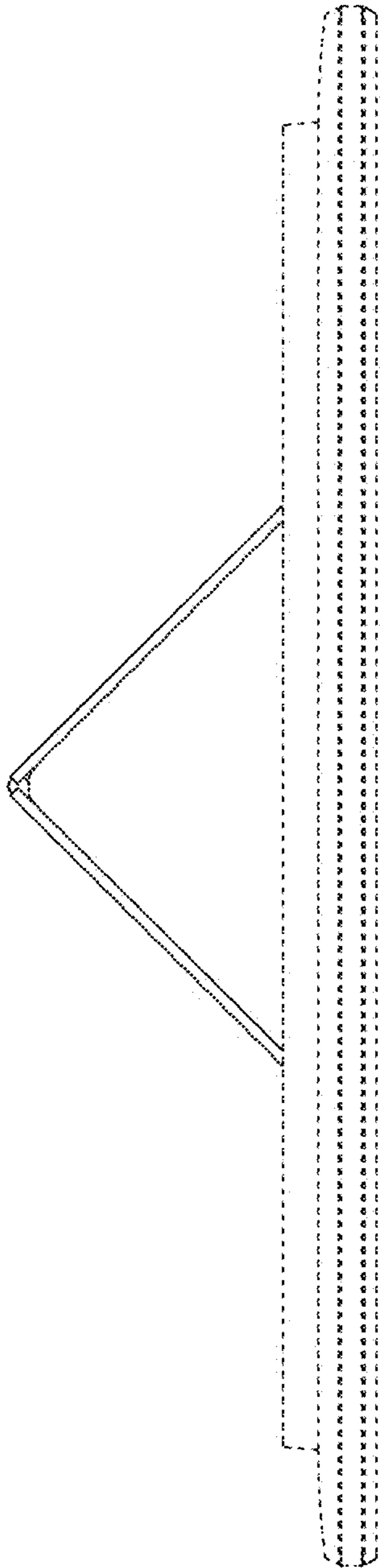


FIG. 6

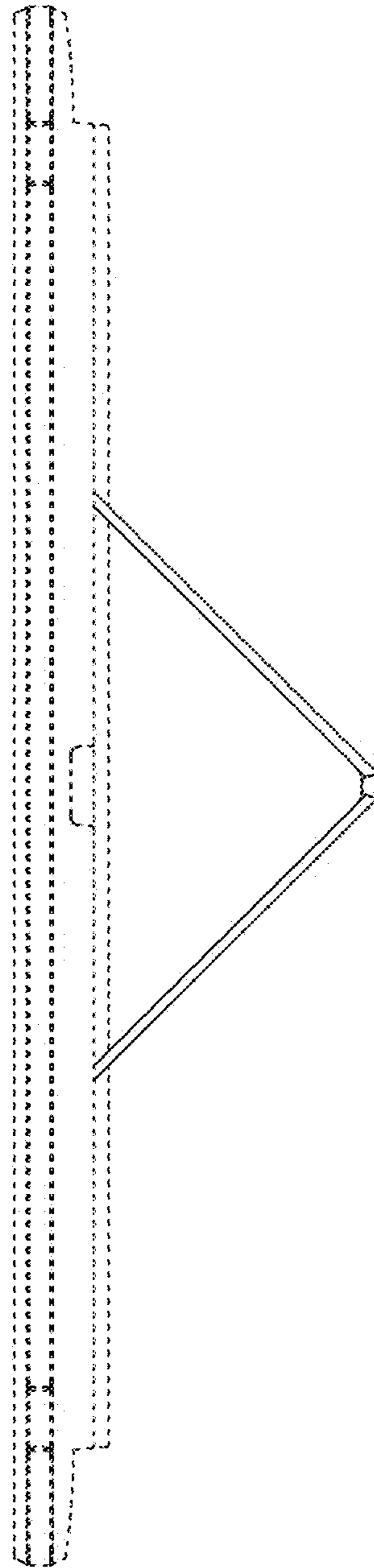


FIG. 7

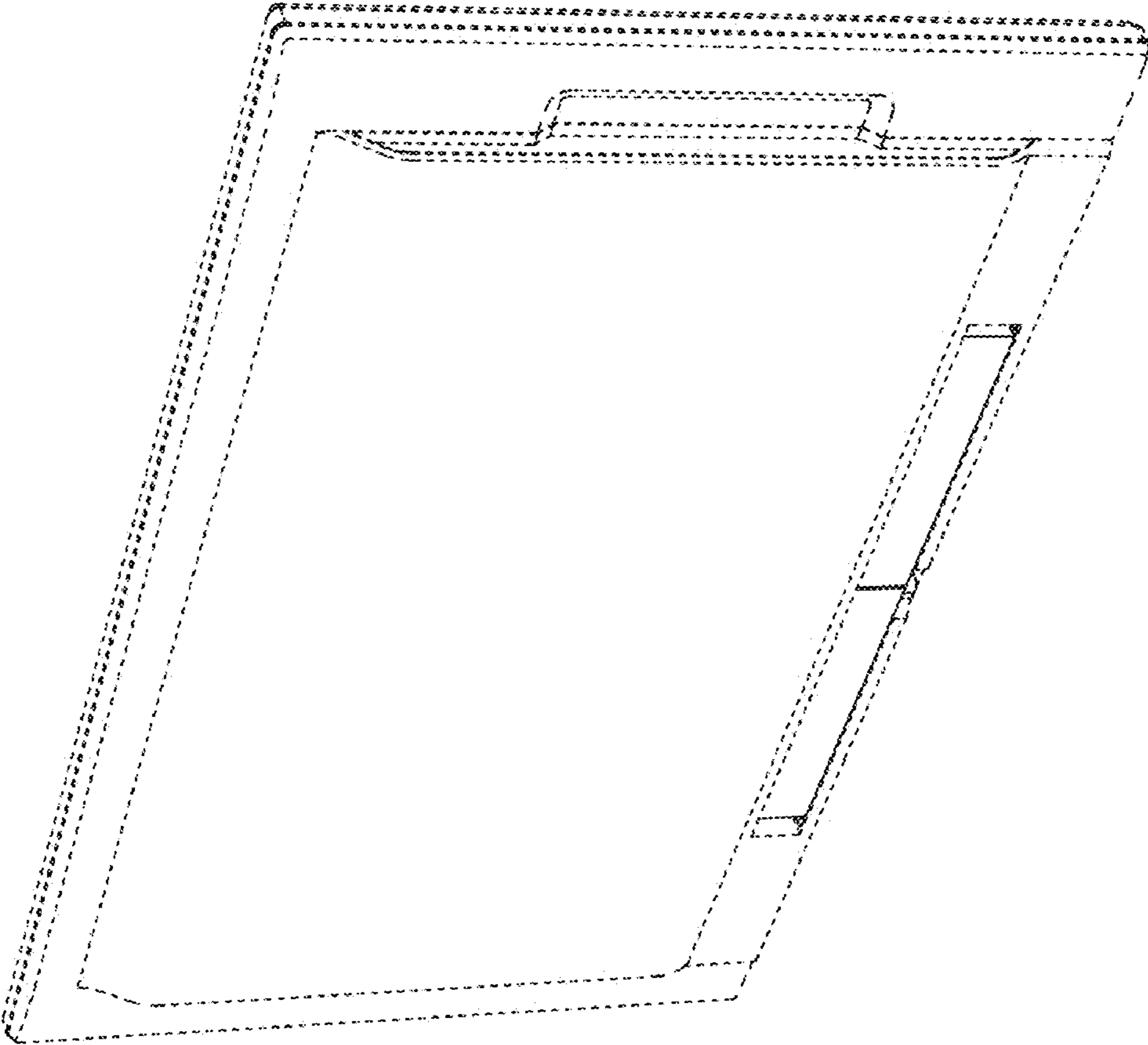


FIG. 8

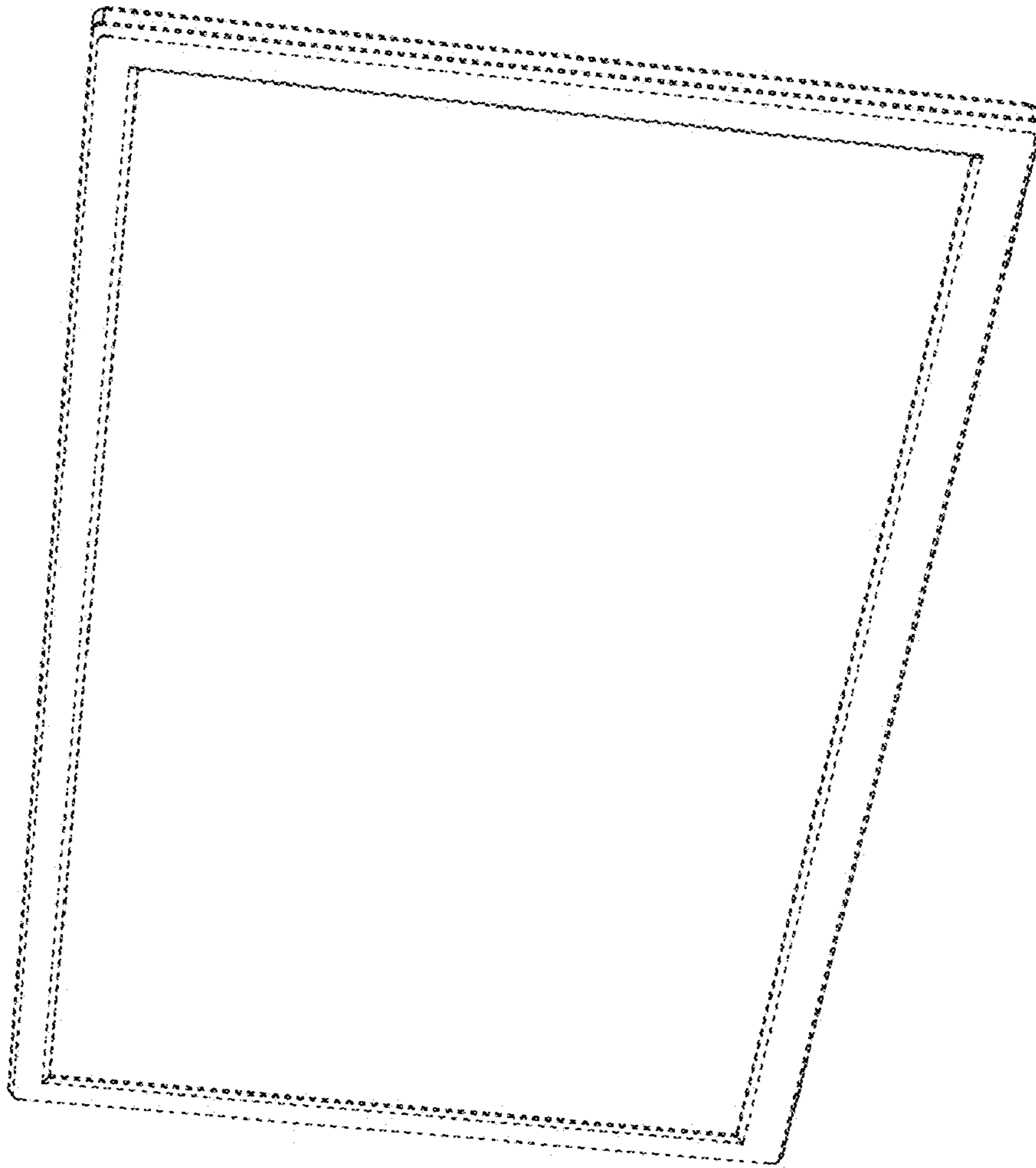


FIG. 9