



US00D677261S

(12) **United States Design Patent**  
**Hsu et al.**

(10) **Patent No.:** **US D677,261 S**  
(45) **Date of Patent:** **\*\* Mar. 5, 2013**

(54) **SUPPORT FOR PORTABLE DISPLAY DEVICE**

(56)

**References Cited**

(75) Inventors: **An Szu Hsu**, New Taipei (TW); **Chien Yu Lin**, New Taipei (TW)

(73) Assignee: **First Dome Corporation**, New Taipei (TW)

(\*\*) Term: **14 Years**

(21) Appl. No.: **29/426,716**

(22) Filed: **Jul. 10, 2012**

(30) **Foreign Application Priority Data**

Jan. 17, 2012 (TW) ..... 101300292

(51) **LOC (9) Cl.** ..... **08-07**

(52) **U.S. Cl.** ..... **D14/447**

(58) **Field of Classification Search** ..... D14/447,  
D14/432, 434, 433, 439, 440, 448, 451, 452,  
D14/457, 460, 217, 239, 238.1, 250, 251,  
D14/253, 203.8, 341, 336, 371, 372, 374,  
D14/375, 376, 377, 378, 379, 392; D13/107,  
D13/108; D3/218; D6/406.1, 406.3, 406.4,  
D6/406.5, 406.6, 419, 420, 429, 396, 449,  
D6/466, 467, 471; 361/679.02, 679.09, 679.19,  
361/679.21, 679.22, 679.23, 679.26, 679.27,  
361/679.3, 679.55, 679.56, 679.6; 248/917-924,  
248/136, 150, 152, 153, 371, 166, 176.1,  
248/176.3, 188.6, 676, 678, 441.1, 444.1,  
248/447, 447.1, 447.2, 451, 454, 455, 456,  
248/460, 463, 465.1

See application file for complete search history.

**U.S. PATENT DOCUMENTS**

D626,129	S	*	10/2010	Lutz	.....	D14/447
D639,286	S	*	6/2011	Mohoney	.....	D14/250
D640,707	S	*	6/2011	Yeh	.....	D14/447
D650,372	S	*	12/2011	Molter	.....	D14/239
D650,783	S	*	12/2011	Ausfeld et al.	.....	D14/434
D653,668	S	*	2/2012	Song et al.	.....	D14/447
D660,305	S	*	5/2012	Ho et al.	.....	D14/447
2010/0001163	A1	*	1/2010	Takizawa	.....	248/371
2011/0031287	A1	*	2/2011	Le Gette et al.	.....	224/101
2012/0006950	A1	*	1/2012	Vandiver	.....	248/176.3
2012/0106054	A1	*	5/2012	Royz et al.	.....	361/679.3
2012/0170194	A1	*	7/2012	Lord et al.	.....	361/679.02
2012/0170212	A1	*	7/2012	Gallouzi et al.	.....	361/679.56

\* cited by examiner

*Primary Examiner* — Angela J Lee

(74) *Attorney, Agent, or Firm* — Rosenberg, Klein & Lee

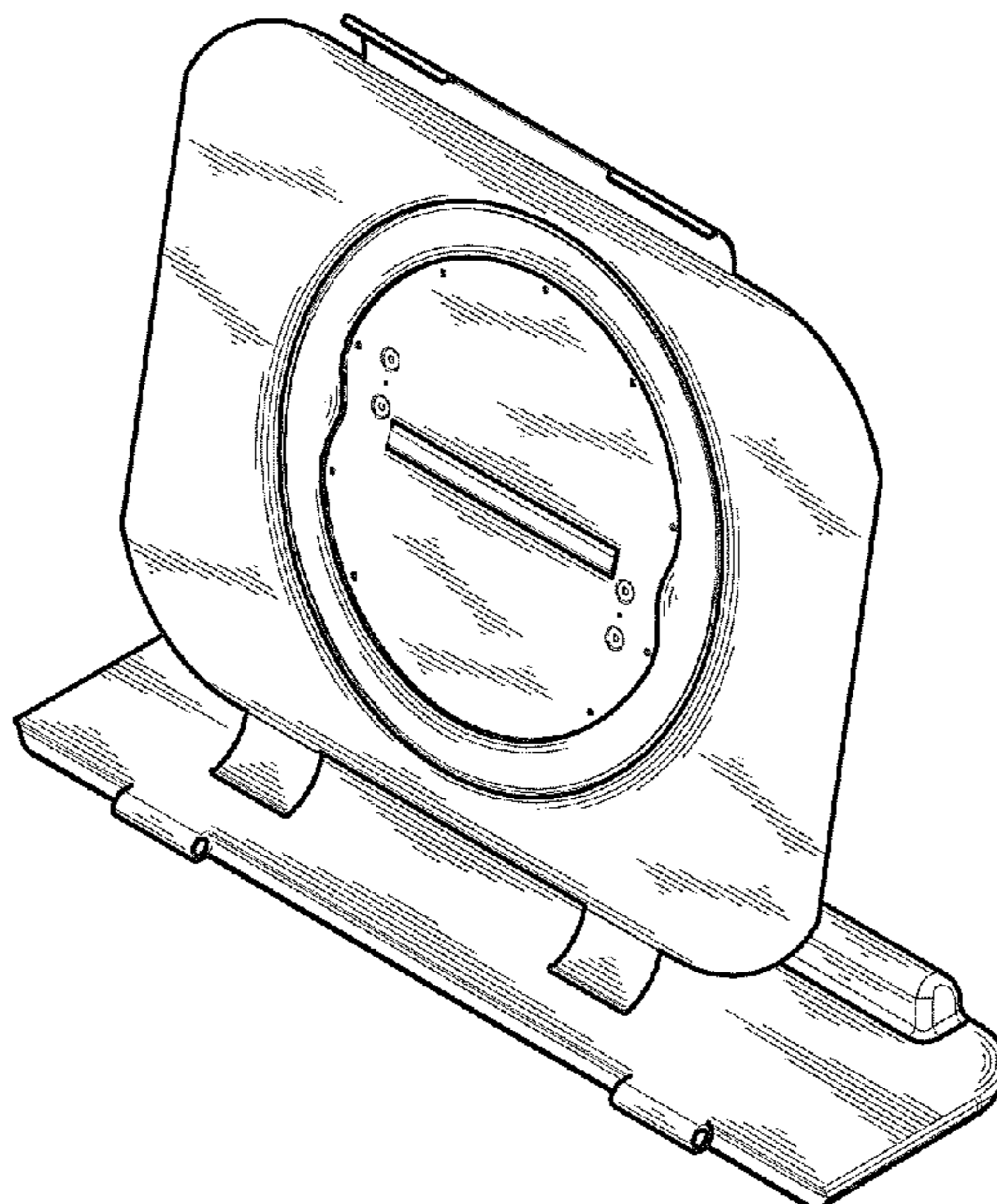
(57) **CLAIM**

The ornamental design for support for portable display device, shown and described.

**DESCRIPTION**

FIG. 1 is a front side perspective view showing our new design for support for portable display device;  
FIG. 2 is a front side perspective view thereof;  
FIG. 3 is a rear elevational view thereof;  
FIG. 4 is a left elevational view thereof;  
FIG. 5 is a right side elevational view thereof;  
FIG. 6 is a top view thereof; and,  
FIG. 7 is a bottom view thereof.

**1 Claim, 7 Drawing Sheets**



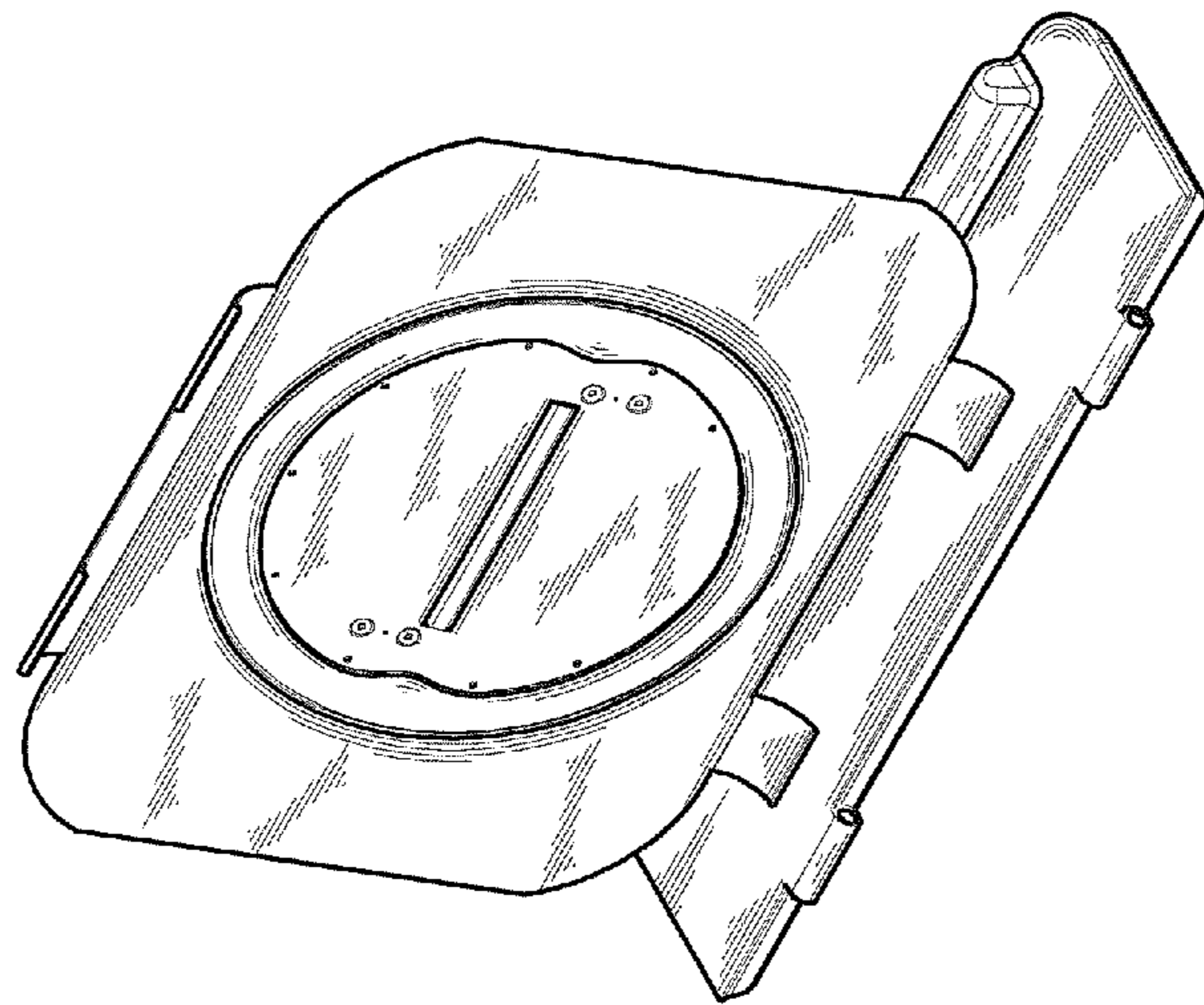


Fig. 1

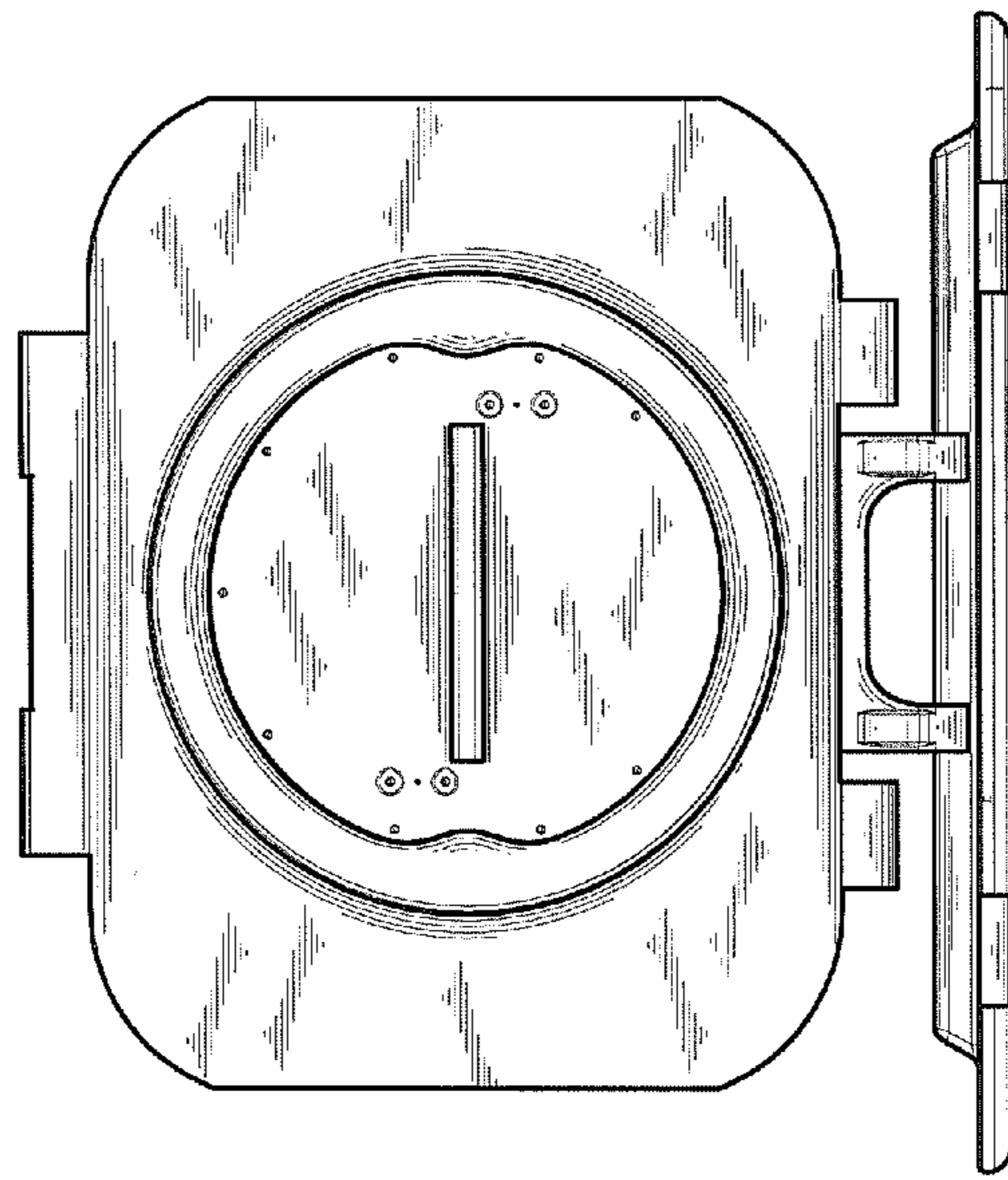


Fig. 2

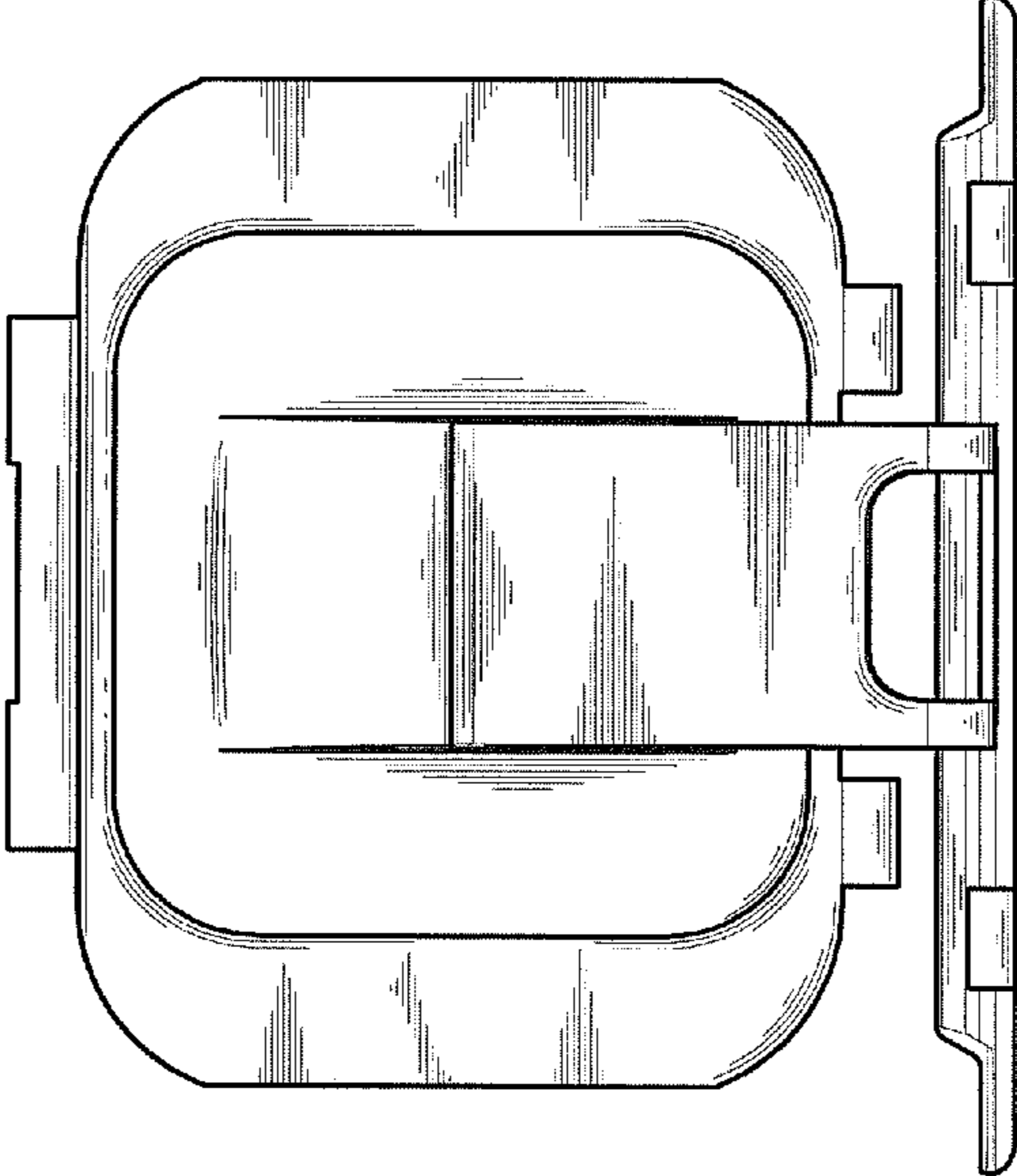


Fig. 3

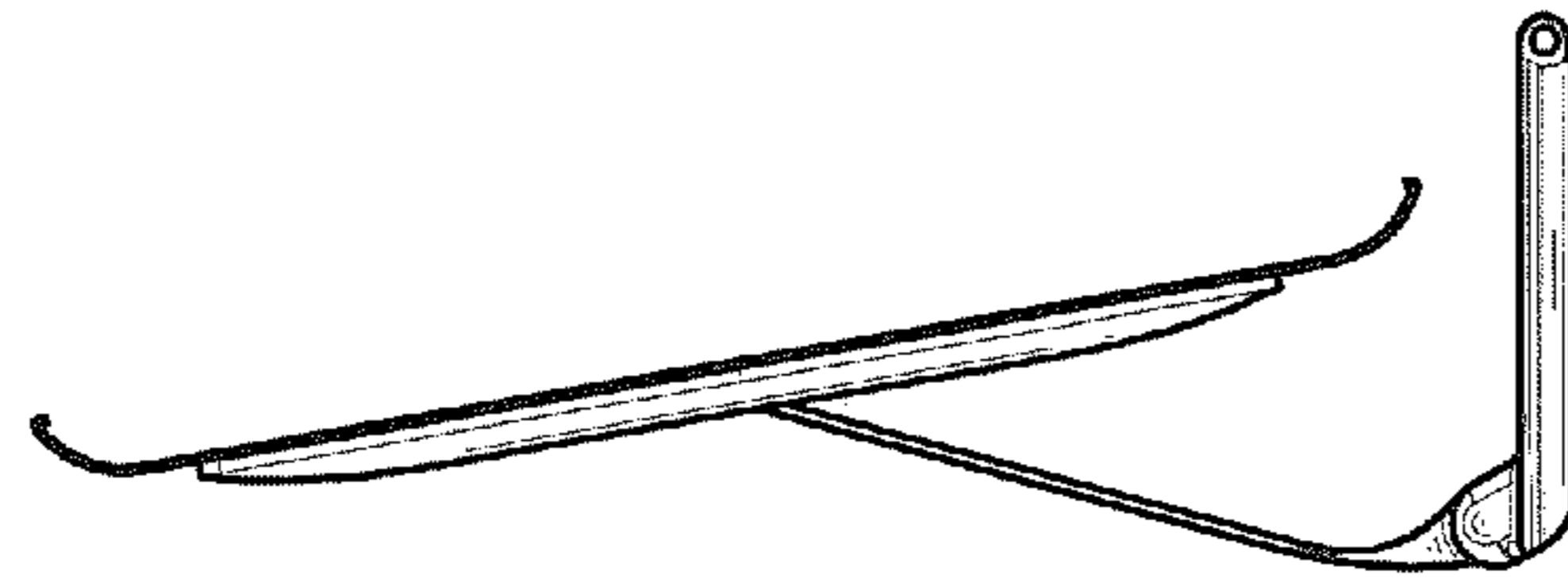


Fig. 4

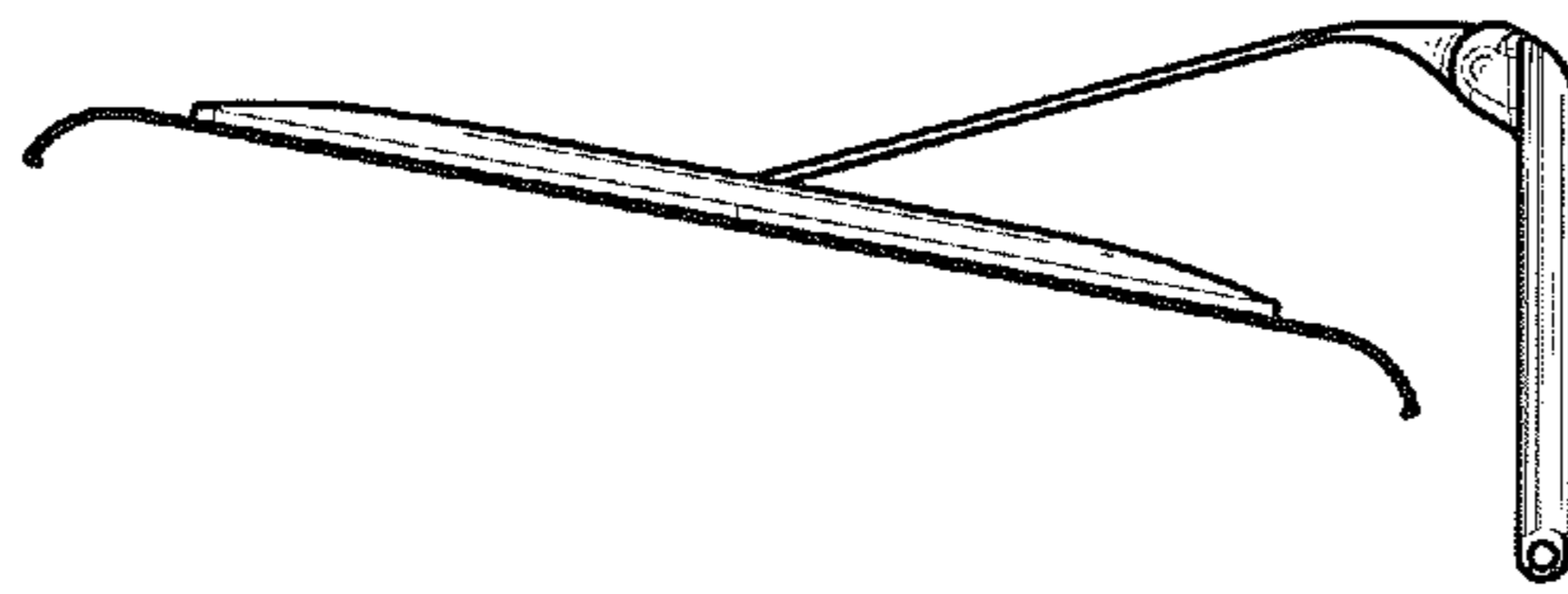


Fig. 5

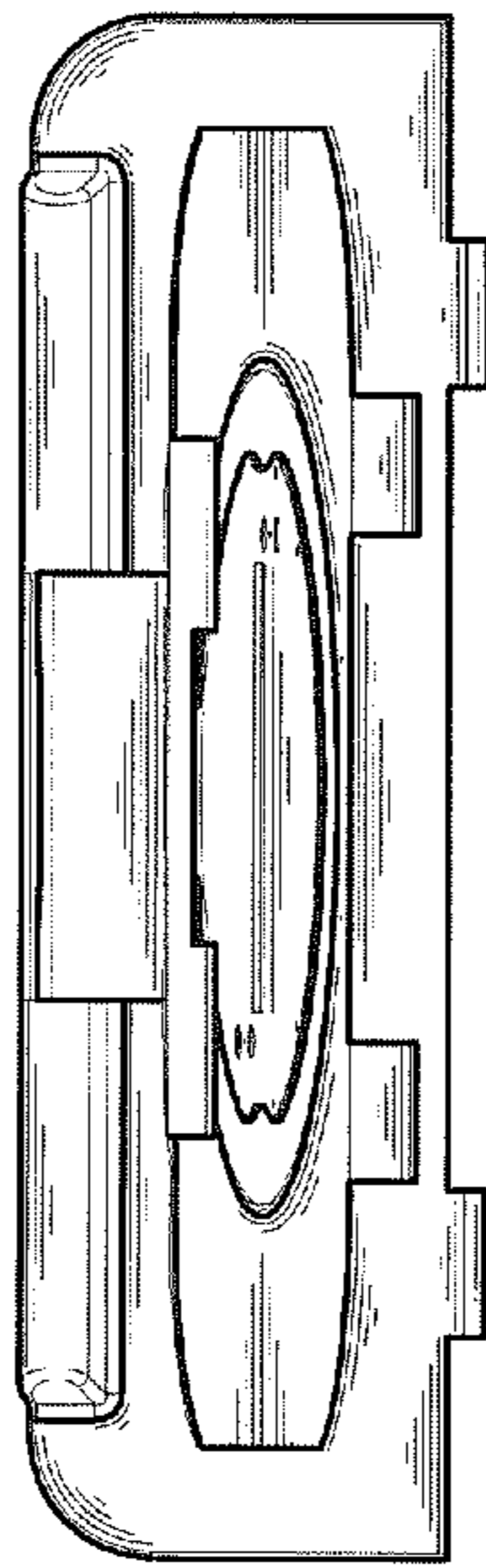


Fig. 6

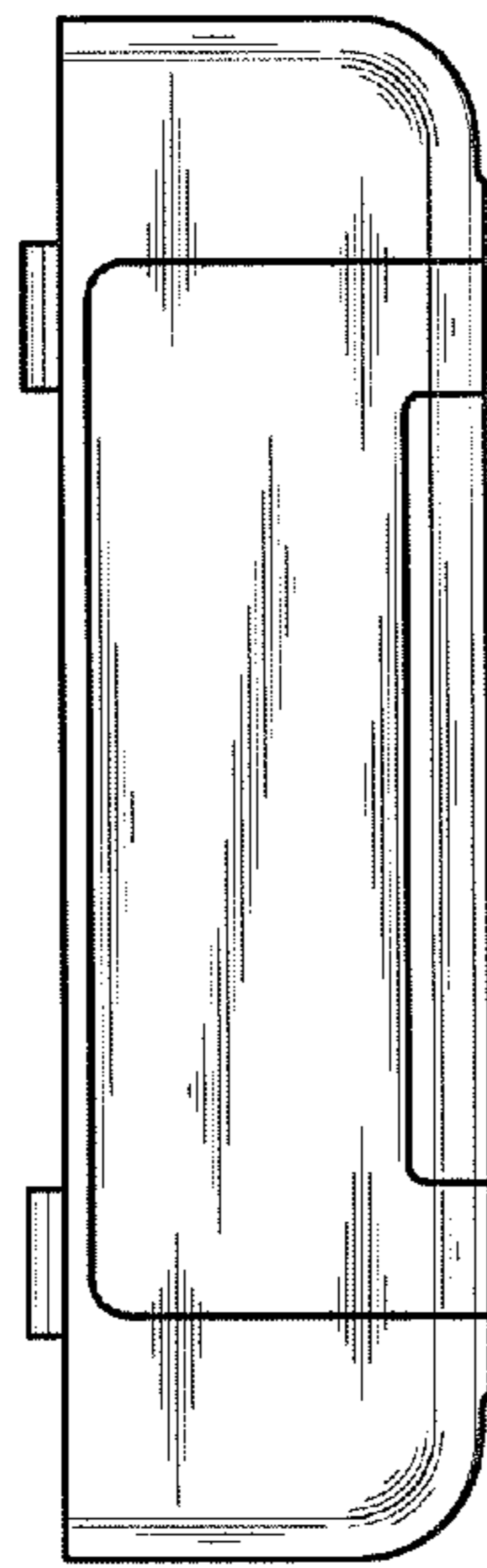


Fig. 7