

US00D677260S

(12) **United States Design Patent**
Hong et al.

(10) **Patent No.:** **US D677,260 S**
(45) **Date of Patent:** **** Mar. 5, 2013**

(54) **CRADLE FOR A PORTABLE TERMINAL**

(56) **References Cited**

(75) Inventors: **Young-Soo Hong**, Kyunggi-do (KR);
Bo-Kyung Seong, Seoul (KR)

U.S. PATENT DOCUMENTS

(73) Assignee: **Samsung Electronics Co., Ltd.**,
Suwon-si, Gyeonggi-do (KR)

D30,630	S	*	4/1899	Caldwell	D8/395
D228,998	S	*	11/1973	Rozman	D6/310
D306,150	S	*	2/1990	Macke	D12/407
D453,155	S	*	1/2002	Michel	D14/253
D574,375	S	*	8/2008	Prest et al.	D14/253
D590,404	S	*	4/2009	Kim et al.	D14/447
D608,622	S	*	1/2010	Zhu	D8/363
D616,431	S	*	5/2010	Hijmans	D14/253
D618,692	S	*	6/2010	Deutsch et al.	D14/447
D636,395	S	*	4/2011	Anderson et al.	D14/434
D640,708	S	*	6/2011	Lee	D14/447
D652,834	S	*	1/2012	Jones et al.	D14/434
D666,174	S	*	8/2012	Du et al.	D14/217

(**) Term: **14 Years**

(21) Appl. No.: **29/426,421**

(22) Filed: **Jul. 5, 2012**

(30) **Foreign Application Priority Data**

Jan. 18, 2012 (KR) 30-2012-0002589

(51) **LOC (9) Cl.** **08-07**

(52) **U.S. Cl.** **D14/447**

(58) **Field of Classification Search** D14/447,
D14/432, 434, 433, 439, 440, 448, 451, 452,
D14/457, 460, 217, 239, 238.1, 250, 251,
D14/253, 203.8, 341, 336, 371, 372, 374,
D14/375, 376, 377, 378, 379, 392; D13/107,
D13/108; D3/218; D6/406.1, 406.3, 406.4,
D6/406.5, 406.6, 419, 420, 429, 396, 449,
D6/466, 467, 471; 361/679.02, 679.09, 679.19,
361/679.21, 679.22, 679.23, 679.26, 679.27,
361/679.3, 679.55, 679.56, 679.6; 248/917-924,
248/136, 150, 152, 153, 371, 166, 176.1,
248/176.3, 188.6, 676, 678, 441.1, 444.1,
248/447, 447.1, 447.2, 451, 454, 455, 456,
248/460, 463, 465.1

See application file for complete search history.

* cited by examiner

Primary Examiner — Angela J Lee

(74) *Attorney, Agent, or Firm* — Flynn, Thiel, Boutell & Tanis, P.C.

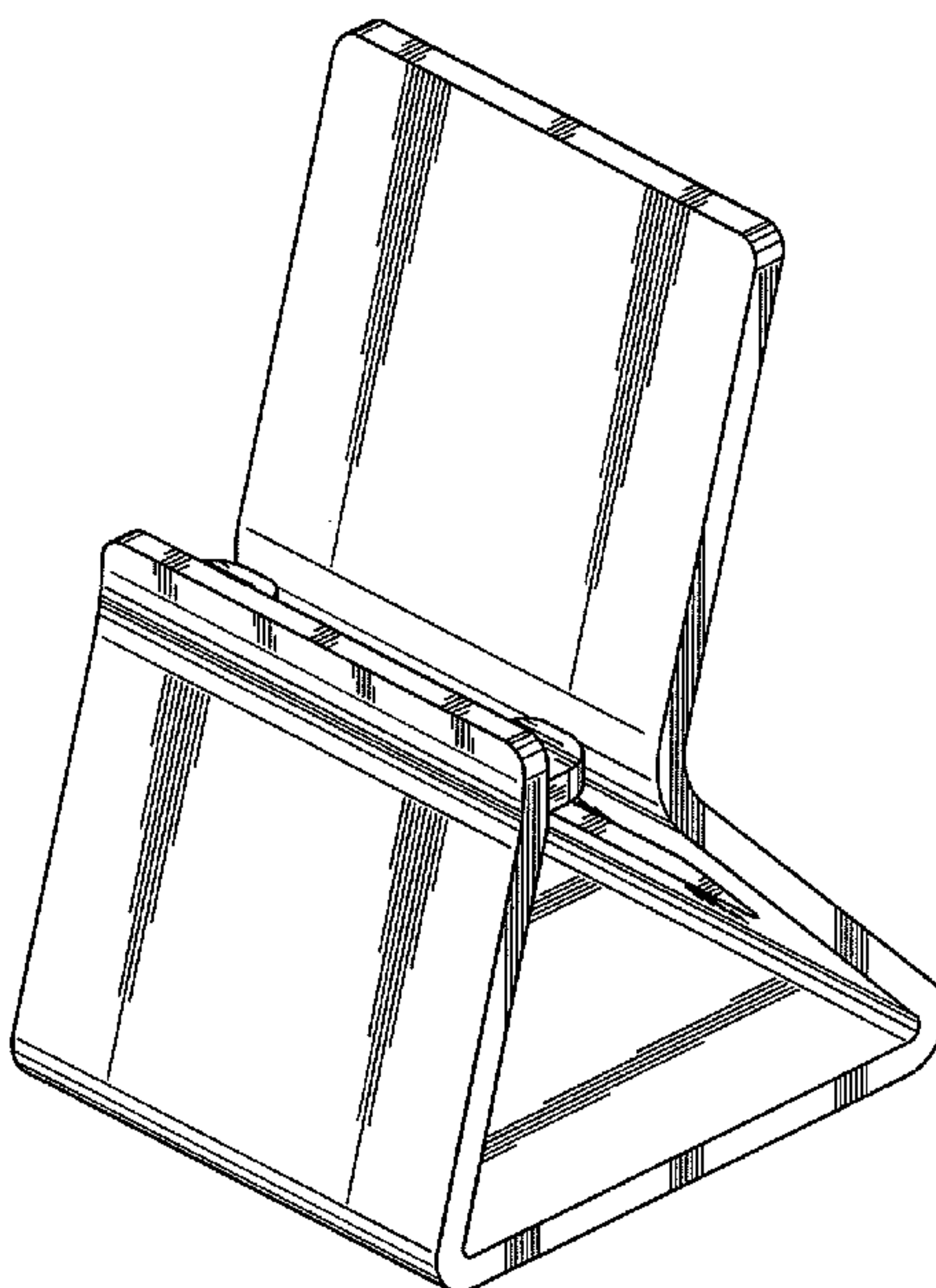
(57) **CLAIM**

The ornamental design for a cradle for a portable terminal, as shown and described.

DESCRIPTION

FIG. 1 is a top front perspective view of a cradle for a portable terminal showing our new design;
FIG. 2 is a front elevational view thereof;
FIG. 3 is a rear elevational view thereof;
FIG. 4 is a left side elevational view thereof;
FIG. 5 is a right side elevational view thereof;
FIG. 6 is a top plan view thereof;
FIG. 7 is a bottom plan view thereof; and,
FIG. 8 is a right side view thereof when a portable terminal is put in the present cradle.
The portable terminal shown in broken lines in FIG. 8 forms no part of the claimed design.

1 Claim, 5 Drawing Sheets



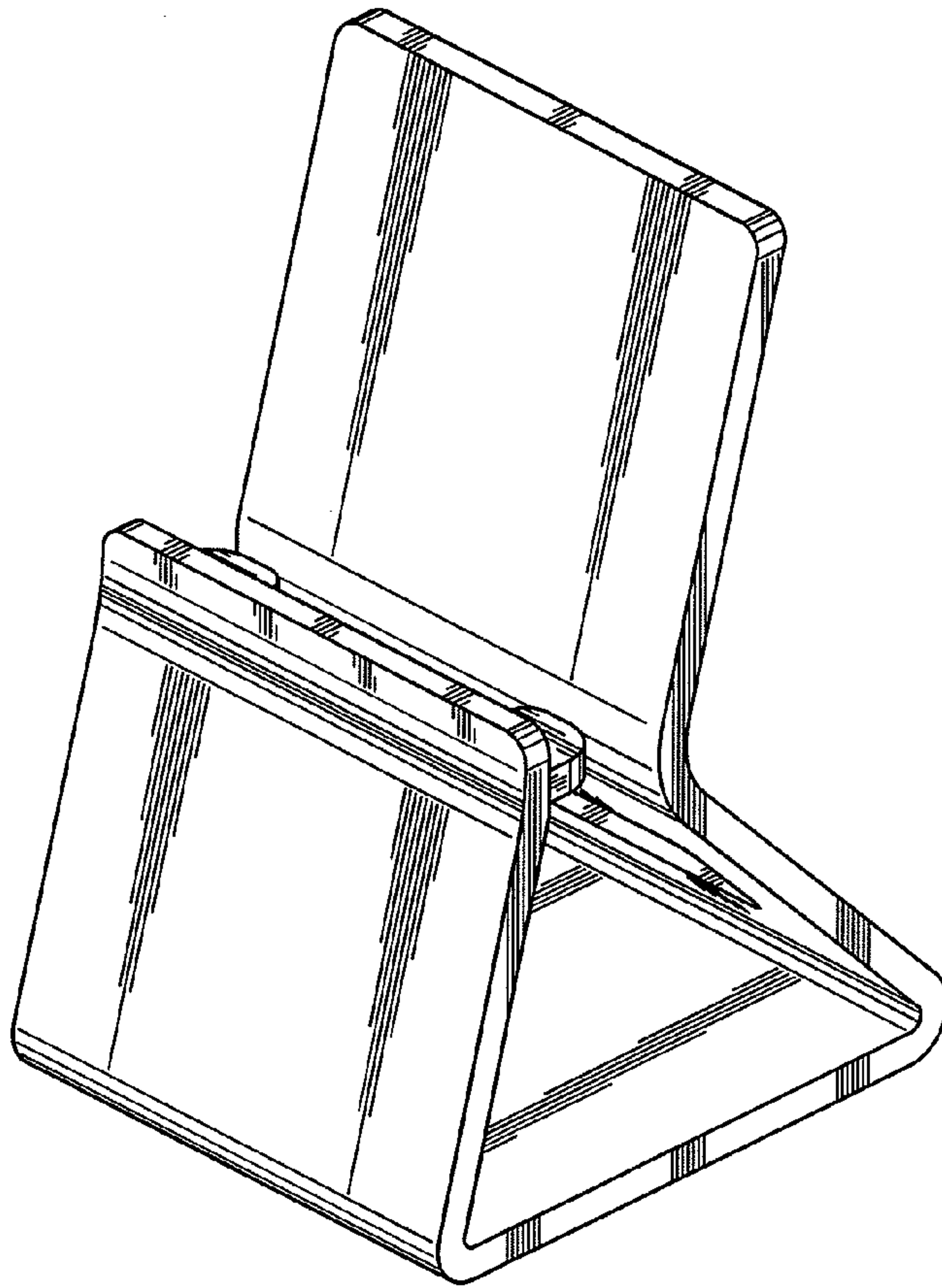


FIG. 1

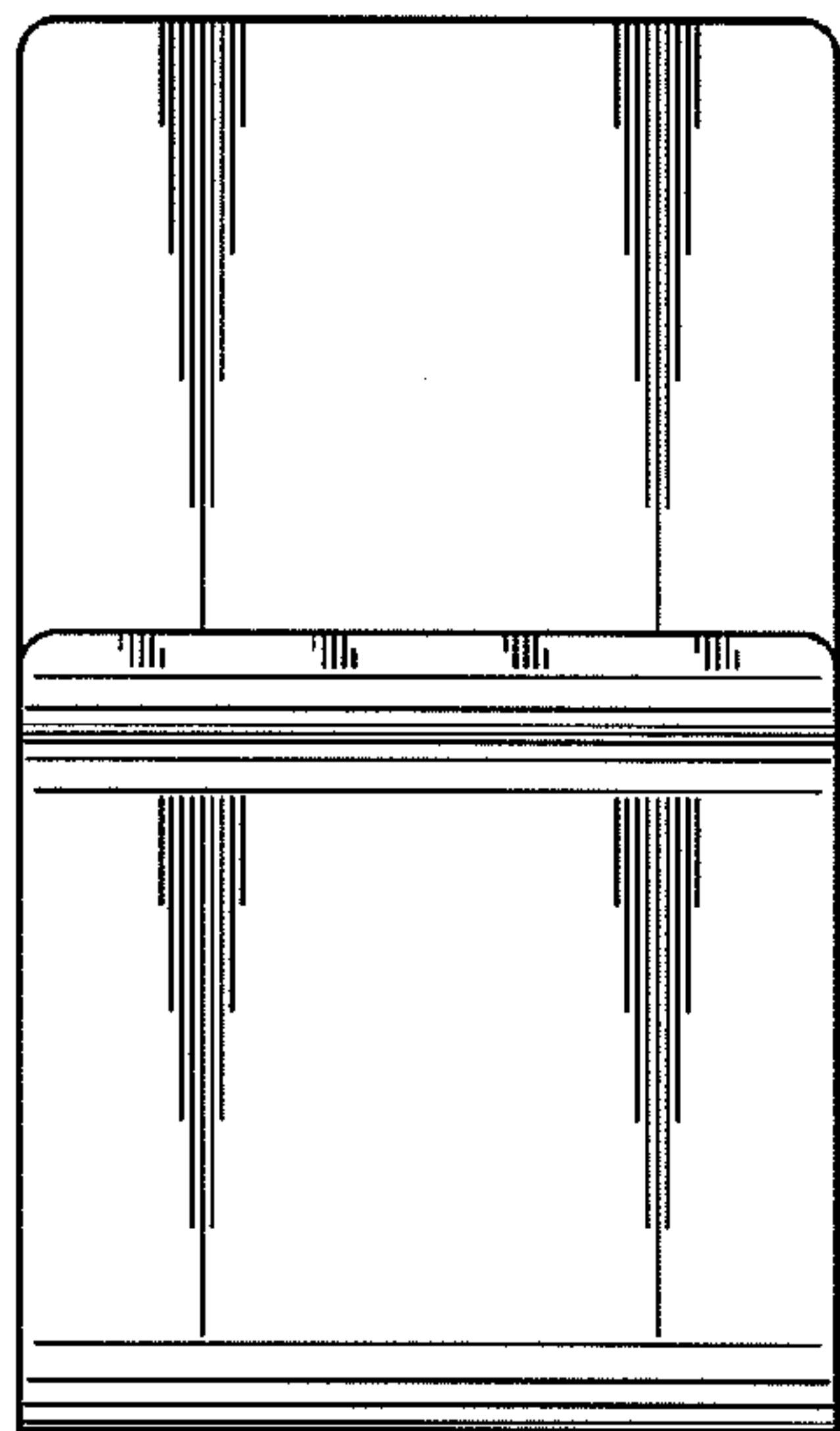


FIG. 2

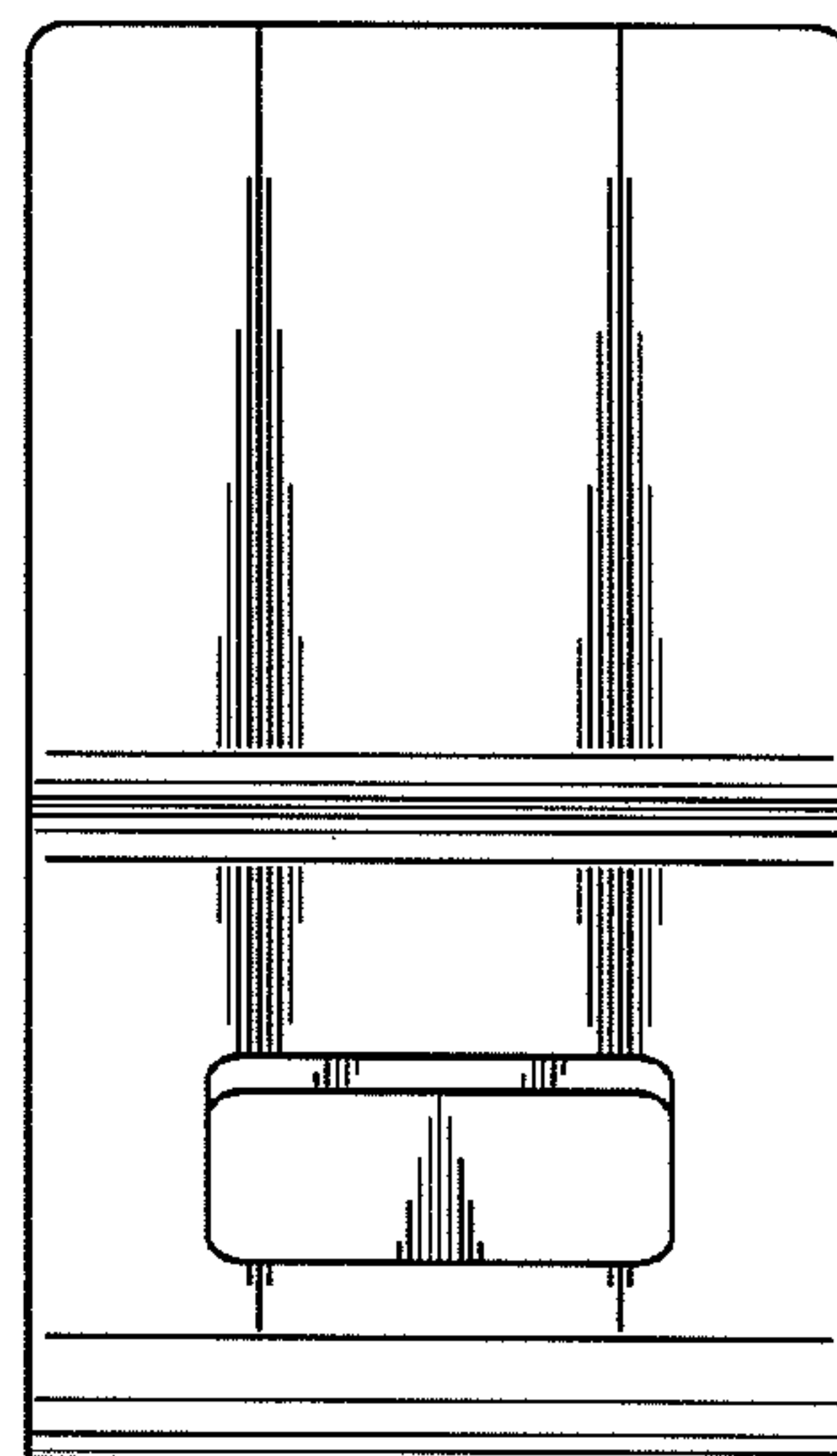


FIG. 3

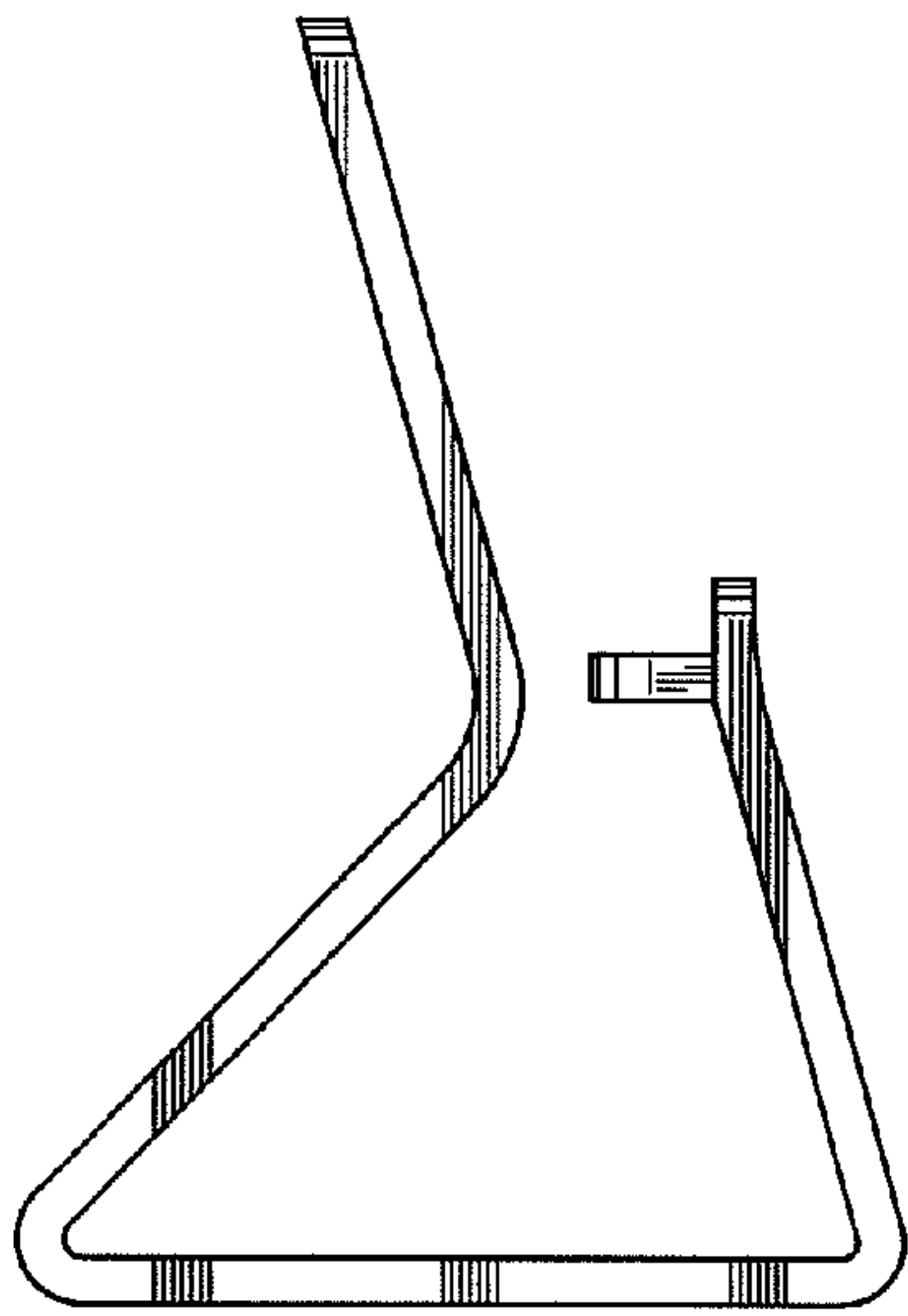


FIG. 4

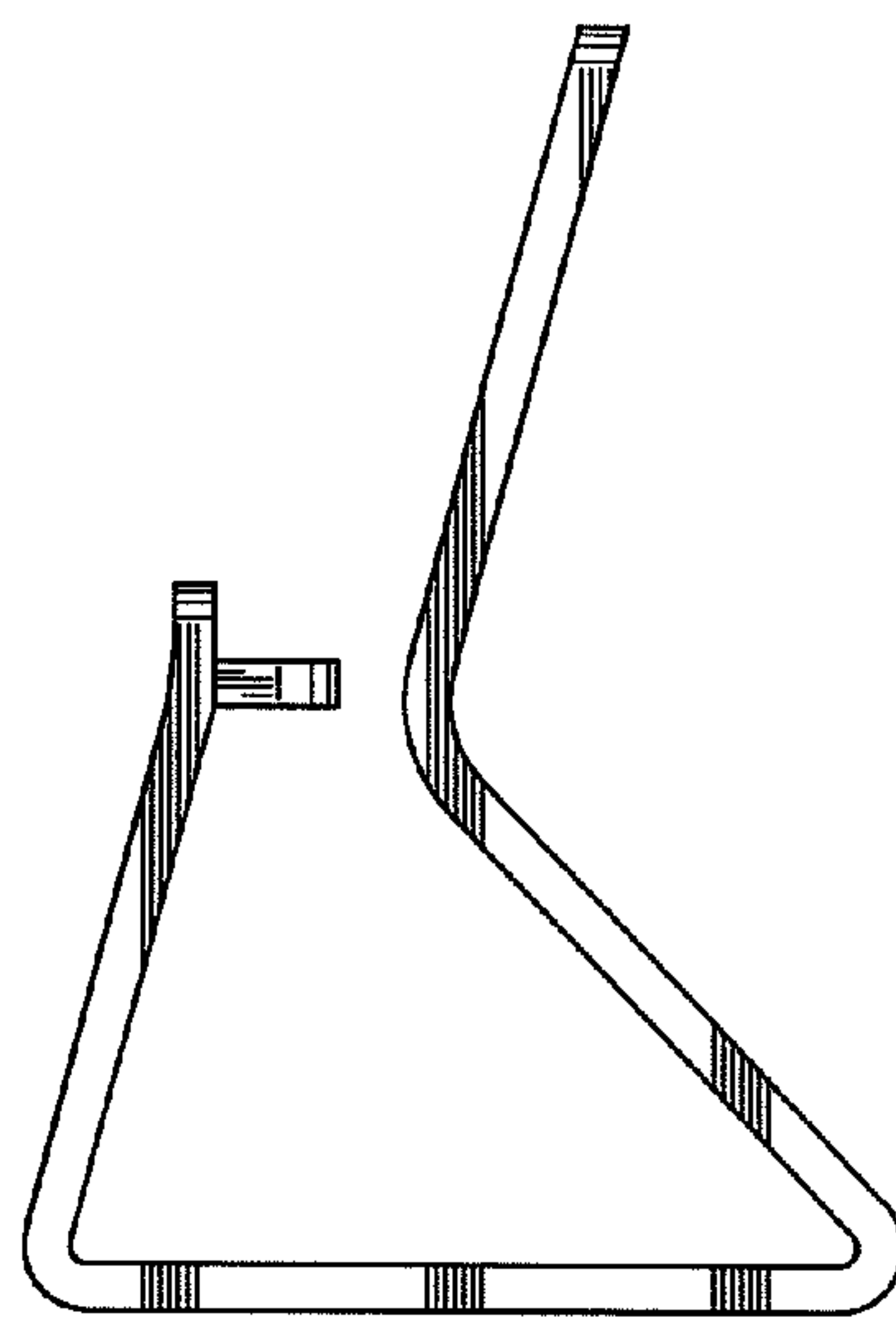


FIG. 5

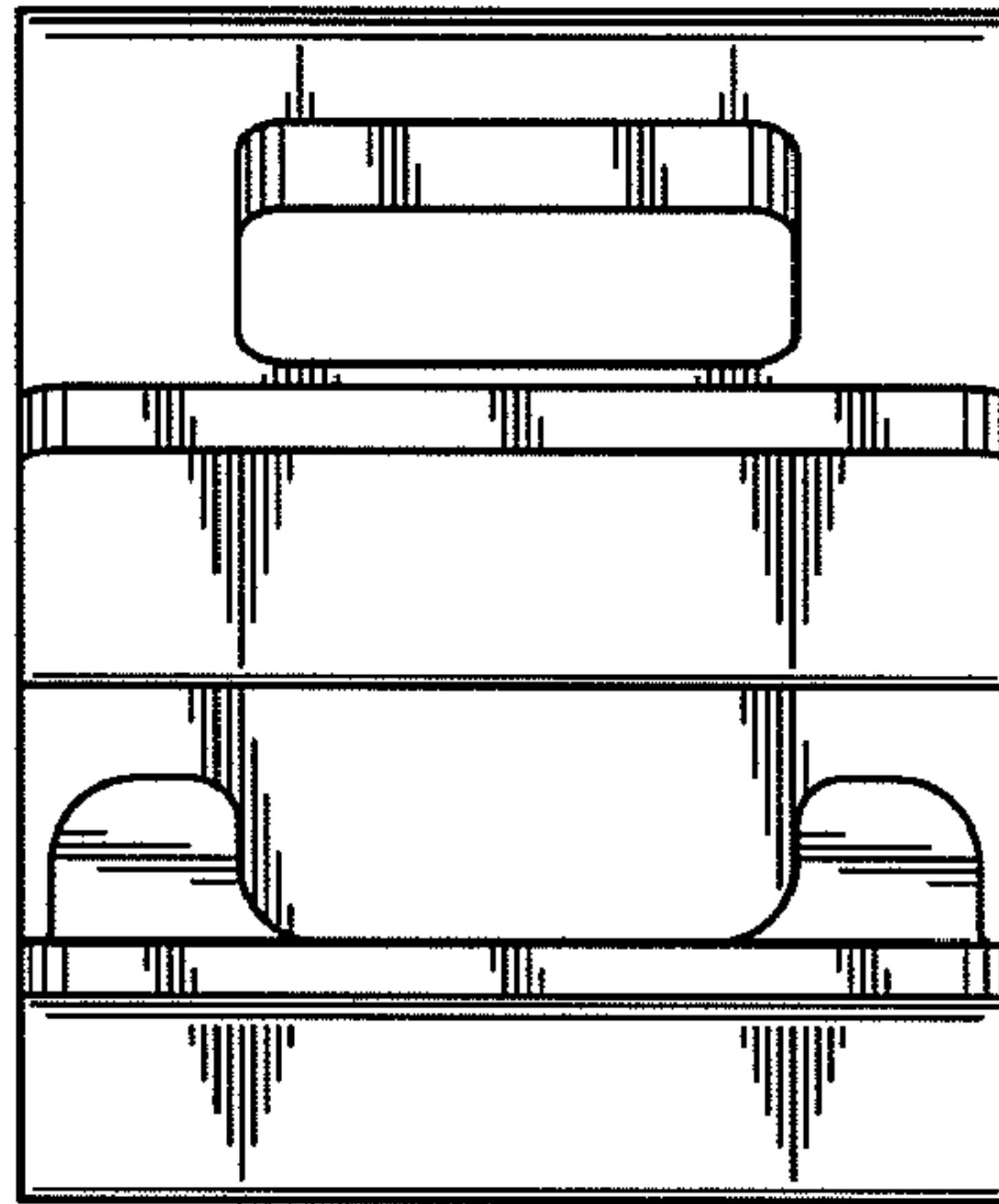


FIG. 6

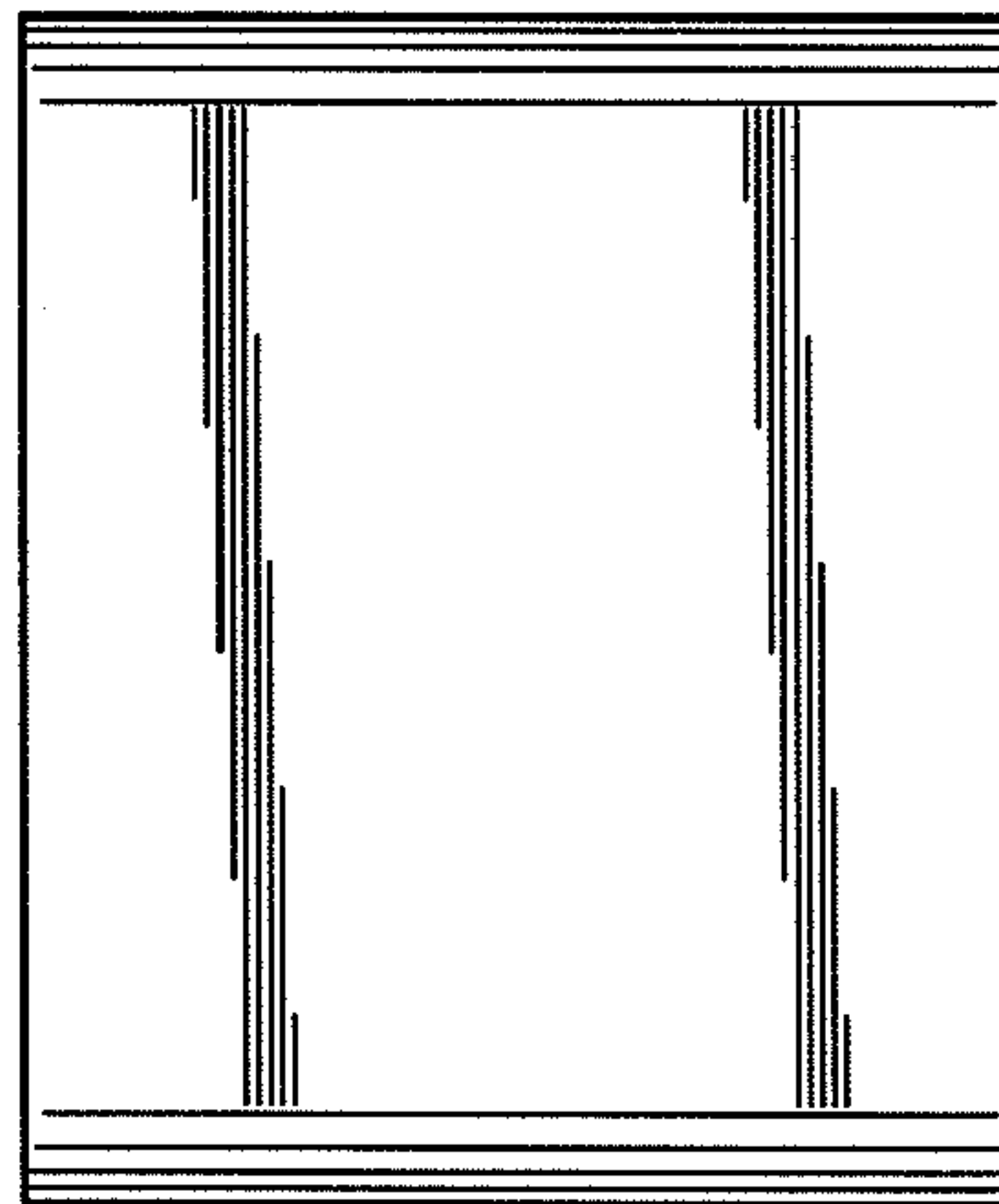


FIG. 7

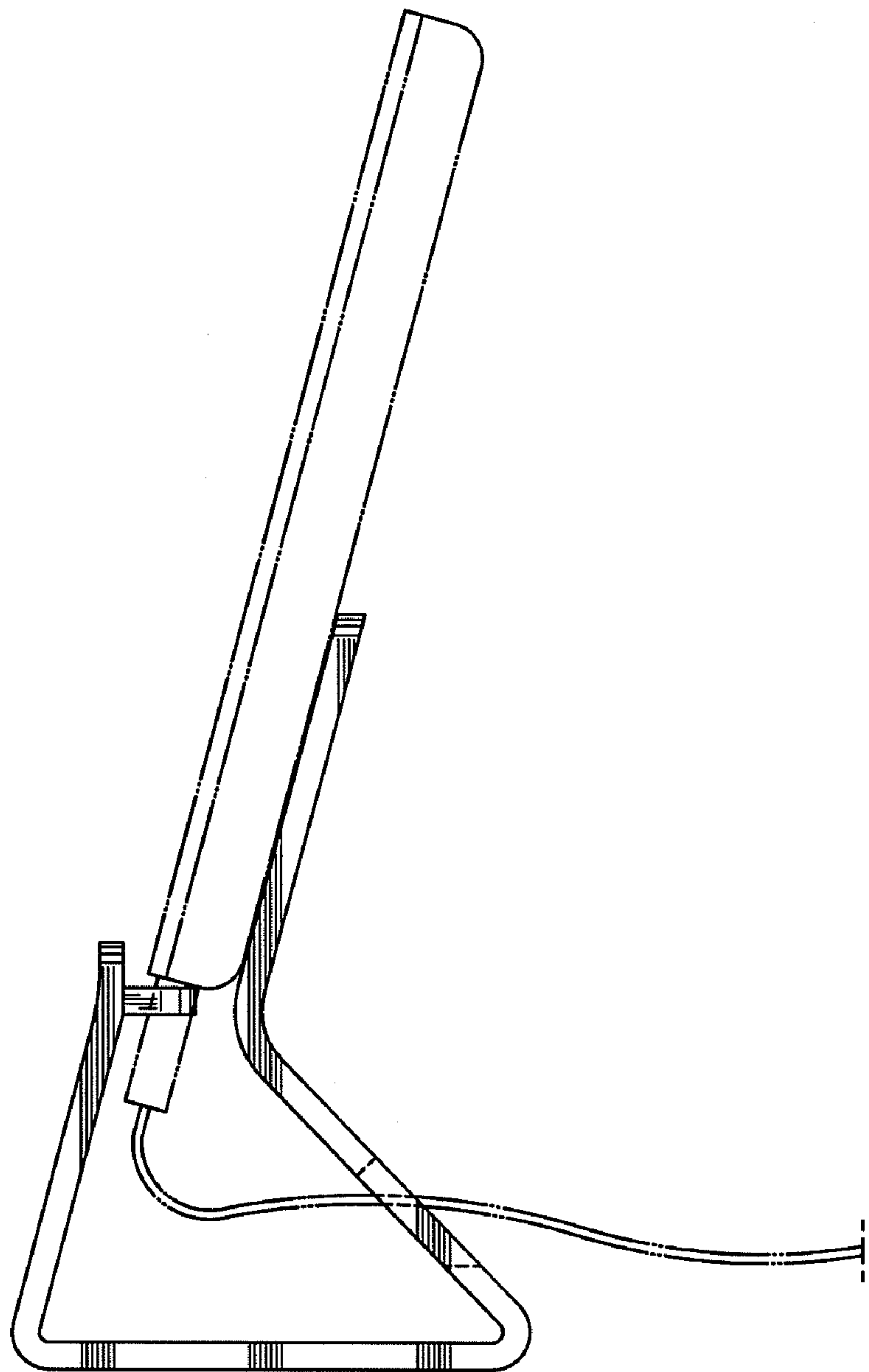


FIG. 8