



US00D677259S

(12) **United States Design Patent**  
**van der Lande**

(10) **Patent No.:** **US D677,259 S**  
(45) **Date of Patent:** **\*\* Mar. 5, 2013**

(54) **CHOCOLATE BAR-SHAPED USB HUB**

(75) Inventor: **Jan van der Lande**, New York, NY (US)

(73) Assignee: **Kikkerland Design, Inc.**, New York, NY (US)

(\*\*) Term: **14 Years**

(21) Appl. No.: **29/422,783**

(22) Filed: **May 24, 2012**

(51) **LOC (9) Cl.** ..... **14-02**

(52) **U.S. Cl.** ..... **D14/433**

(58) **Field of Classification Search** ..... D14/432-435,  
D14/435.1, 436-439, 356-358, 480.1-480.7,  
D14/483, 484.1, 240; D13/107, 108, 110,  
D13/118, 123, 133, 147, 154; 439/131, 500,  
439/501, 445, 446, 296, 284, 286, 288; 361/679.4,  
361/679.41, 679.44; D1/127  
See application file for complete search history.

(56) **References Cited**

**U.S. PATENT DOCUMENTS**

D90,687 S \* 9/1933 Sherrill ..... D1/121  
D497,466 S \* 10/2004 Van De Wal et al. .... D1/127  
D523,857 S \* 6/2006 Nakamura et al. .... D14/433  
D559,848 S \* 1/2008 Siu ..... D14/433

D576,166 S \* 9/2008 Mori et al. .... D14/433  
D583,820 S \* 12/2008 O'Shea ..... D14/434  
7,503,808 B1 \* 3/2009 O'Shea ..... 439/639  
D629,365 S \* 12/2010 Garcia De Vicuna ..... D13/152  
D646,683 S \* 10/2011 Tao et al. .... D14/433  
D659,946 S \* 5/2012 Fujioka et al. .... D1/127

\* cited by examiner

*Primary Examiner* — Austin Murphy

(74) *Attorney, Agent, or Firm* — Cascio & Zervas

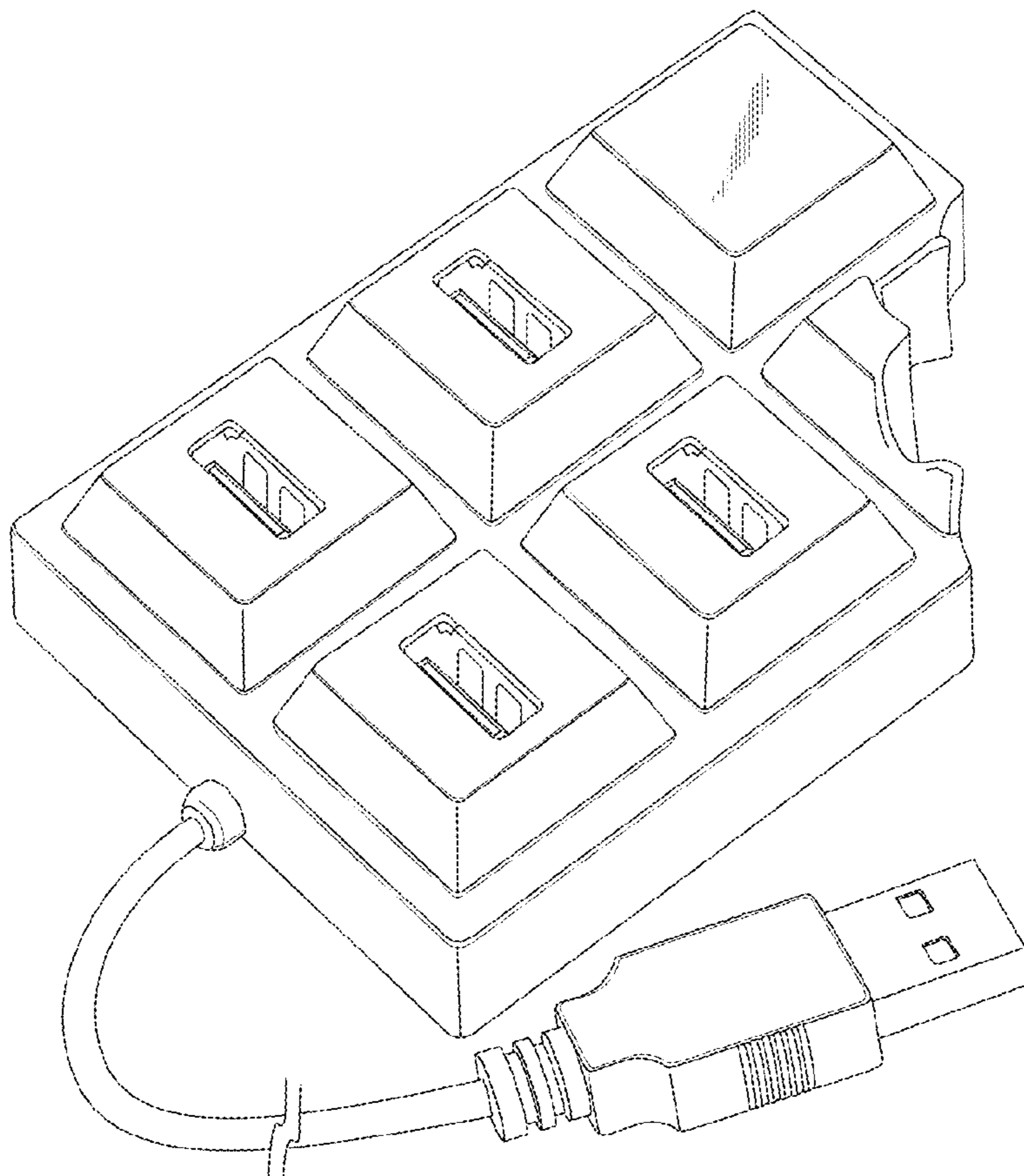
(57) **CLAIM**

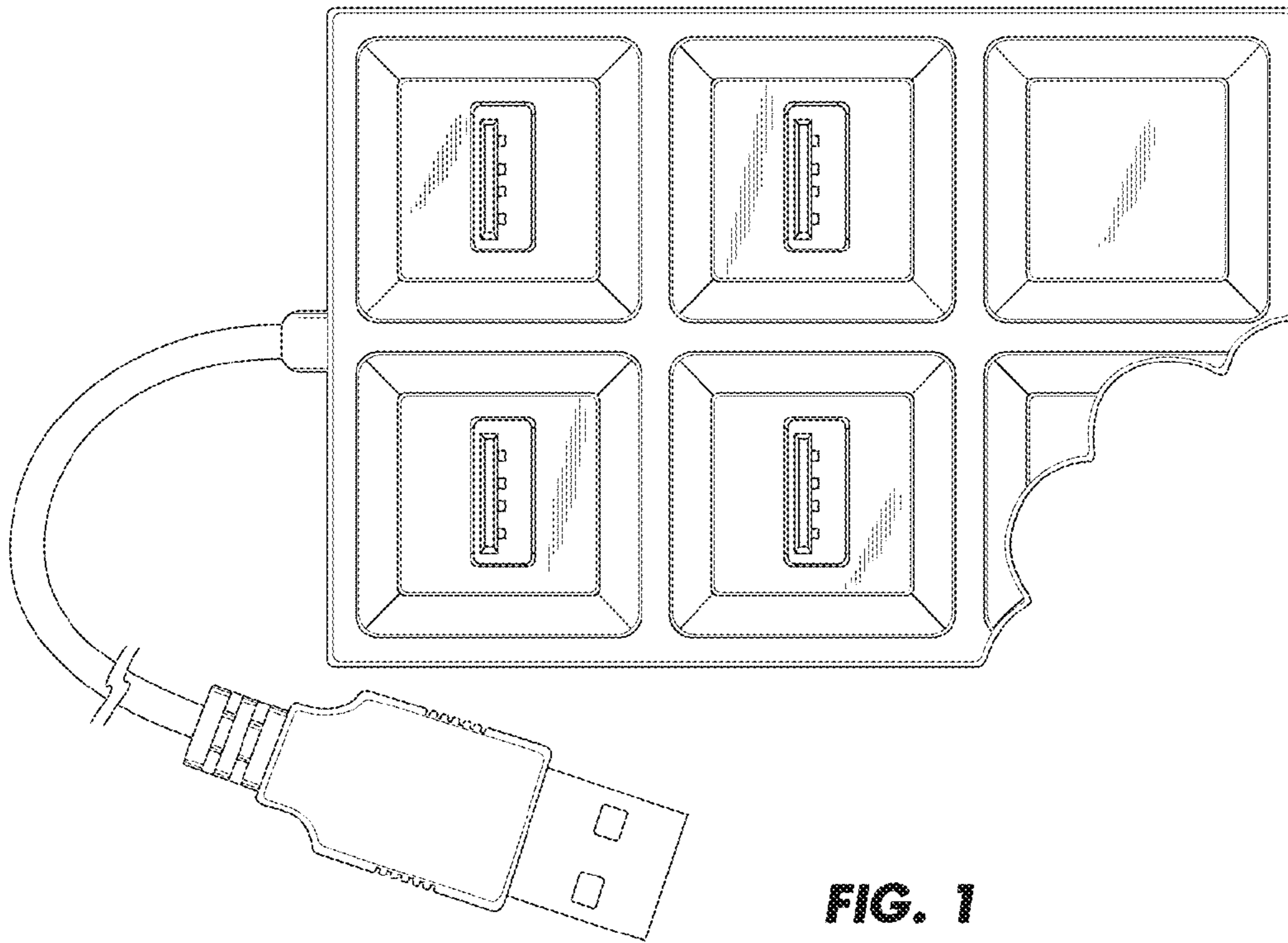
The ornamental design for a chocolate bar-shaped USB hub, as shown and described.

**DESCRIPTION**

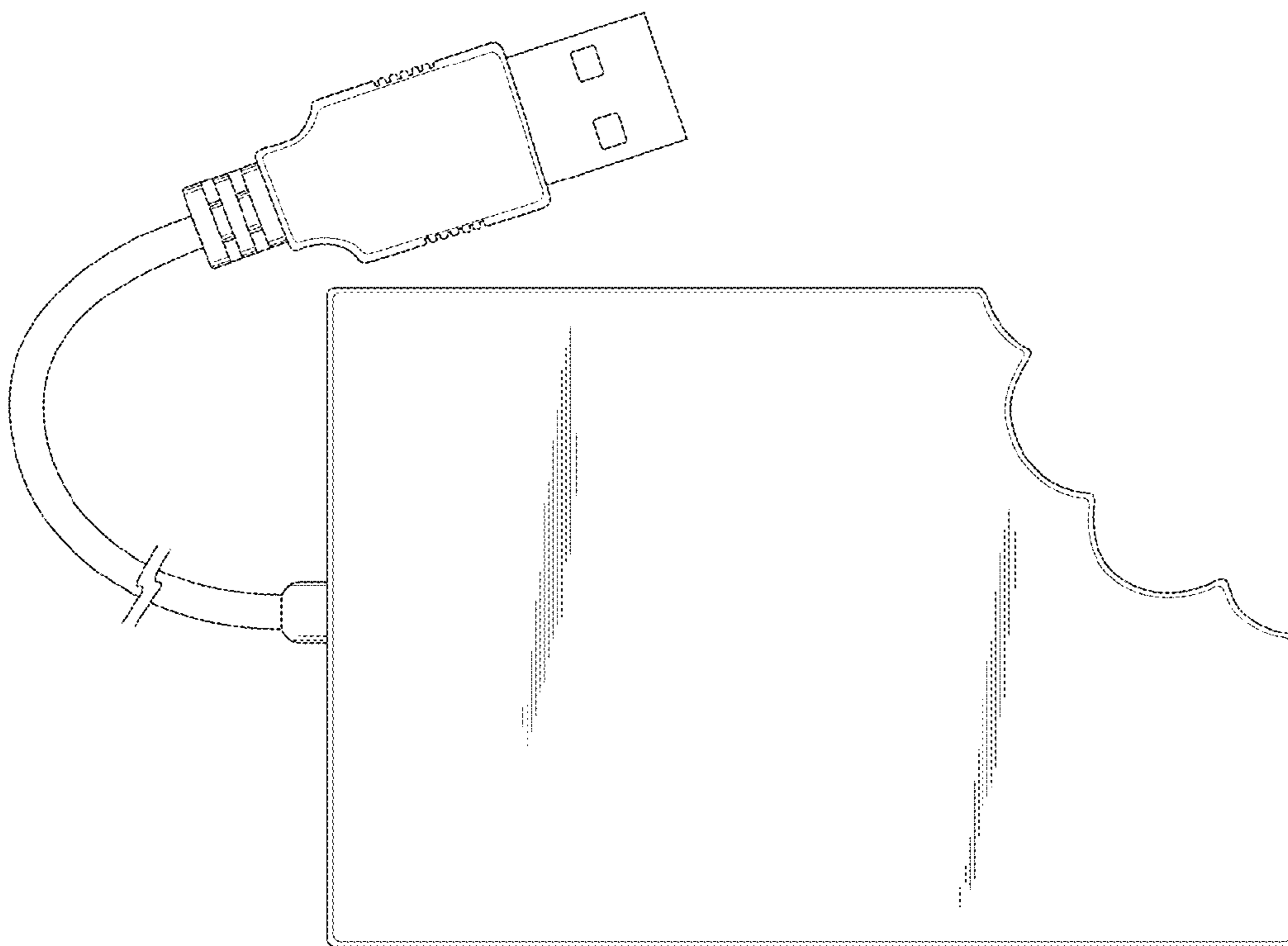
FIG. 1 is a top plan view of a chocolate bar-shaped USB hub showing my design;  
FIG. 2 is a bottom plan view thereof;  
FIG. 3 is a left side elevational view thereof;  
FIG. 4 is a right side elevational view thereof;  
FIG. 5 is a front elevational view thereof;  
FIG. 6 is a rear elevational view thereof; and,  
FIG. 7 is a perspective view thereof.  
The claimed article is shown broken away in FIGS. 1-7 to indicate indeterminate length.

**1 Claim, 3 Drawing Sheets**

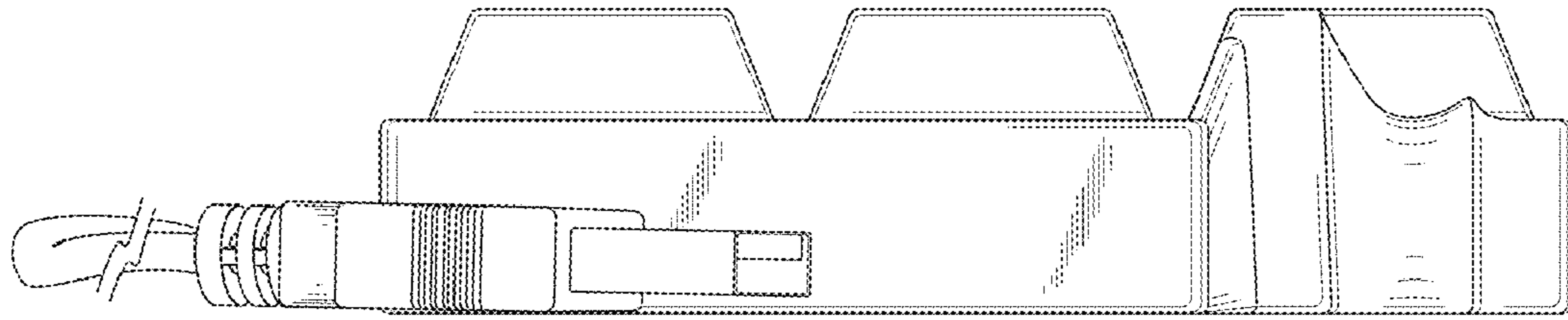




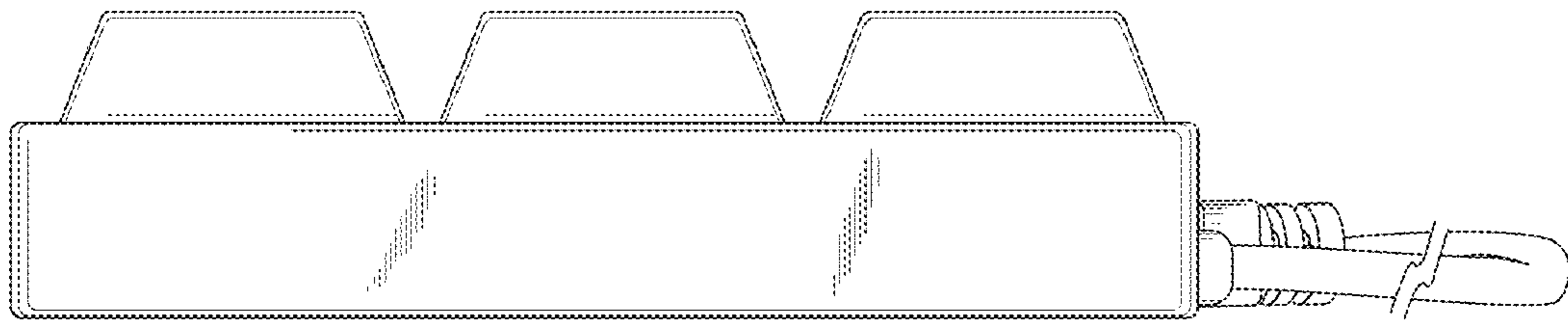
**FIG. 1**



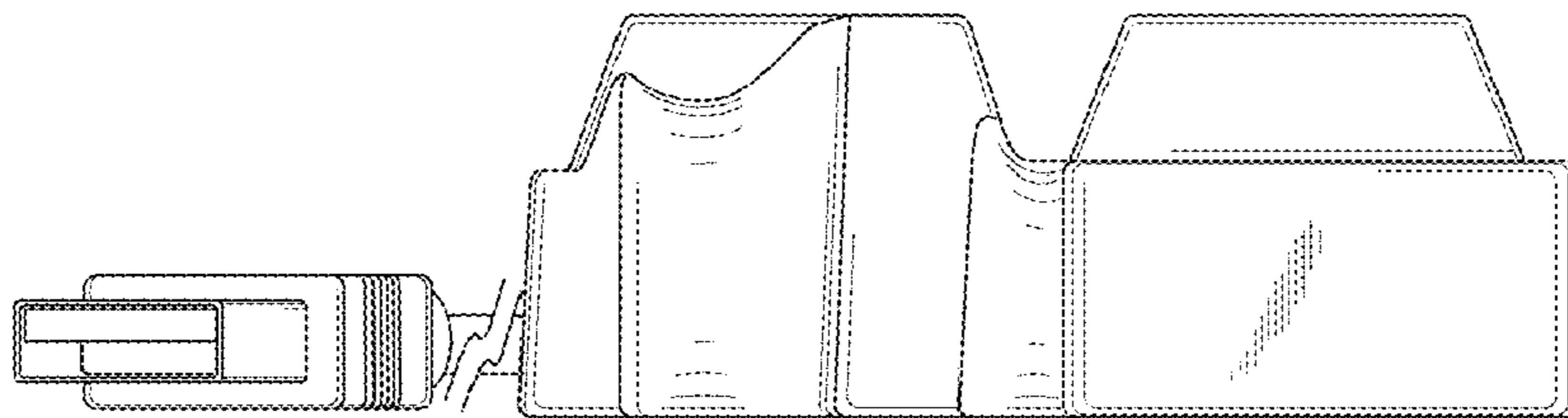
**FIG. 2**



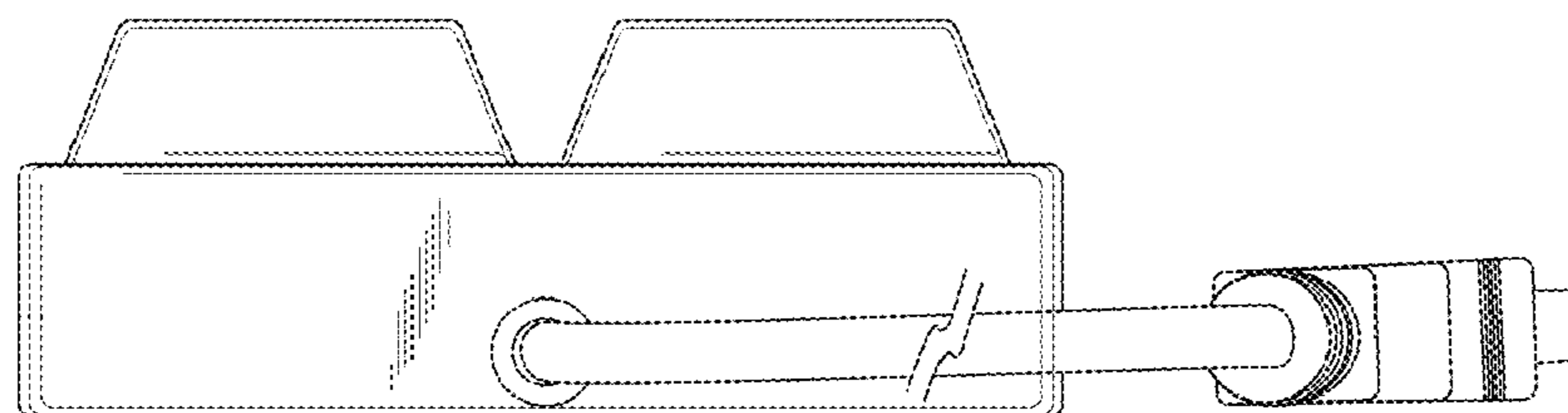
**FIG. 3**



**FIG. 4**

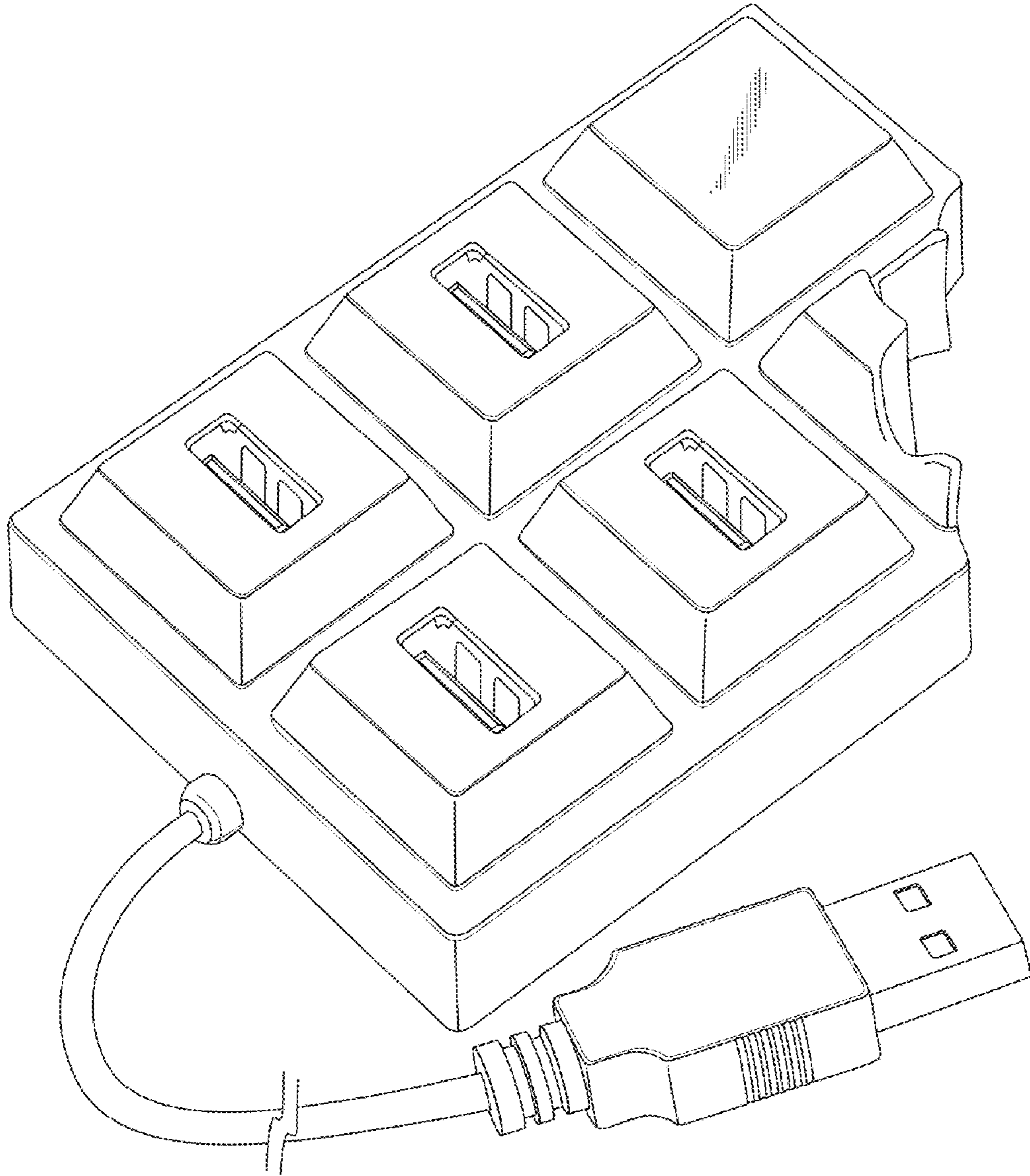


**FIG. 5**



**FIG. 6**





**FIG. 7**