

US00D677257S

(12) **United States Design Patent**
Andre et al.

(10) **Patent No.:** **US D677,257 S**
(45) **Date of Patent:** **** Mar. 5, 2013**

(54) **MONITOR**

(75) Inventors: **Bartley K. Andre**, Menlo Park, CA (US); **Daniel J. Coster**, San Francisco, CA (US); **Daniele De Iuliis**, San Francisco, CA (US); **Evans Hankey**, San Francisco, CA (US); **Richard P. Howarth**, San Francisco, CA (US); **Jonathan P. Ive**, San Francisco, CA (US); **Duncan Robert Kerr**, San Francisco, CA (US); **Shin Nishibori**, Portola Valley, CA (US); **Matthew Dean Rohrbach**, San Francisco, CA (US); **Peter Russell-Clarke**, San Francisco, CA (US); **Douglas B. Satzger**, Menlo Park, CA (US); **Christopher J. Stringer**, Woodside, CA (US); **Eugene Antony Whang**, San Francisco, CA (US); **Rico Zorkendorfer**, San Francisco, CA (US)

(73) Assignee: **Apple Inc.**, Cupertino, CA (US)

(**) Term: **14 Years**

(21) Appl. No.: **29/419,446**

(22) Filed: **Apr. 27, 2012**

Related U.S. Application Data

(60) Continuation of application No. 29/408,029, filed on Dec. 6, 2011, now Pat. No. Des. 661,305, which is a continuation of application No. 29/390,419, filed on Apr. 25, 2011, now Pat. No. Des. 651,602, which is a continuation of application No. 29/380,605, filed on Dec. 8, 2010, now Pat. No. Des. 638,013, which is a continuation of application No. 29/355,762, filed on Feb. 12, 2010, now Pat. No. Des. 630,210, which is a division of application No. 29/326,226, filed on Oct. 14, 2008, now abandoned, which is a continuation of application No. 29/326,078, filed on Oct. 10, 2008, now Pat. No. Des. 600,696.

(51) **LOC (9) Cl.** **14-02**

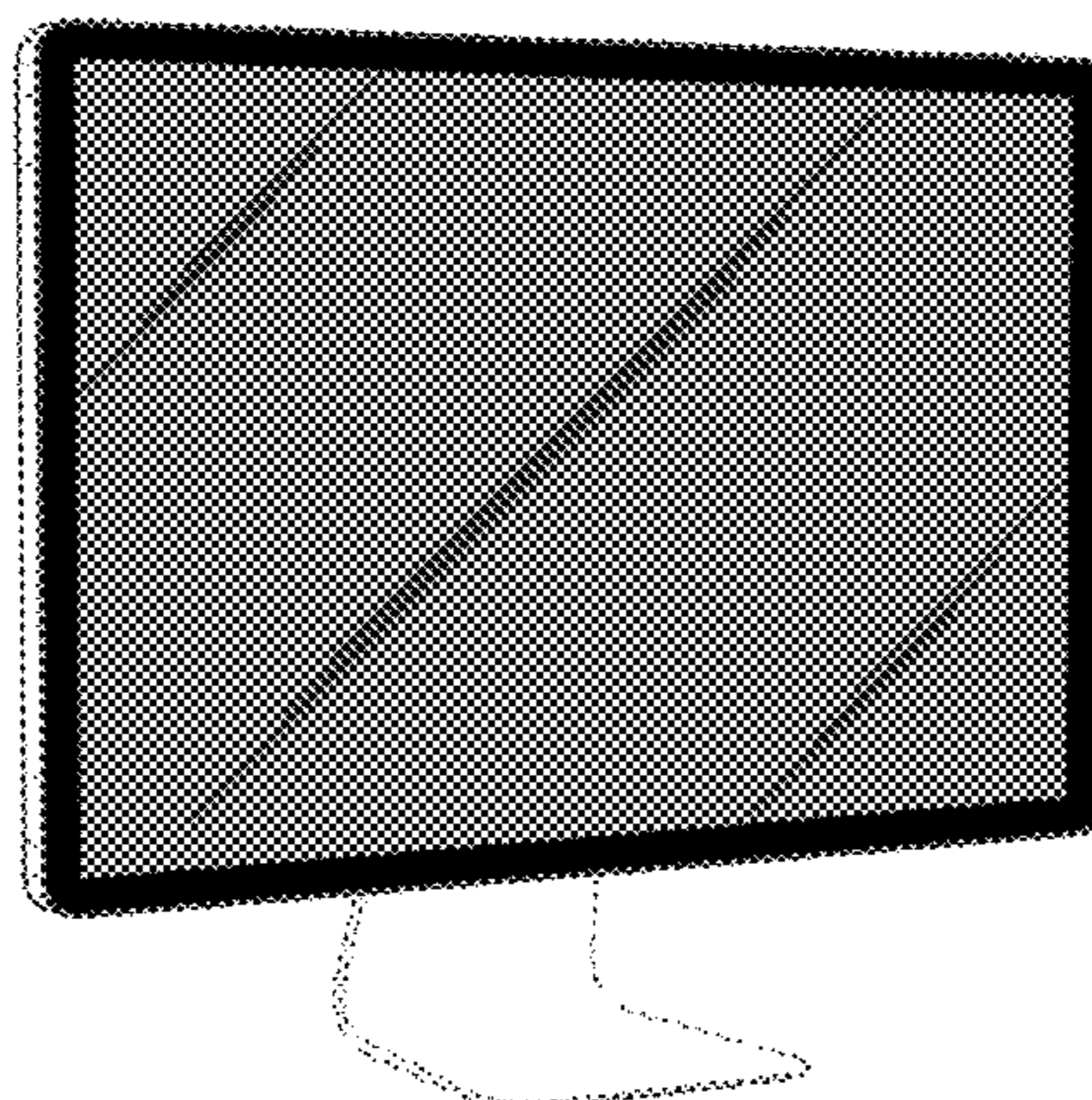
(52) **U.S. Cl.** **D14/374**

(58) **Field of Classification Search** D14/371-376, D14/125-129, 336, 337; 248/917-924, 371, 248/121, 176.1, 278.1; 341/12; 345/104, 345/156, 173, 174, 901-905; 348/180, 184, 348/352, 739; 349/1, 2, 11, 62; 361/679.06-679.08, 361/679.21, 679.22
See application file for complete search history.

(56) **References Cited**

U.S. PATENT DOCUMENTS

D294,262 S	2/1988	Thies et al.
D414,471 S	9/1999	Poole et al.
D416,877 S	11/1999	Liu et al.
D424,033 S	5/2000	Hsu
D424,034 S	5/2000	Li
D428,415 S	7/2000	Shibata
D432,101 S	10/2000	Oba
D434,763 S	12/2000	Jobs et al.
D448,031 S	9/2001	Goetz
D456,023 S	4/2002	Andre et al.
D457,864 S	5/2002	Bong et al.
D464,049 S	10/2002	Goto
D476,335 S	6/2003	Miao et al.
D483,020 S	12/2003	Nagao et al.
D489,042 S	4/2004	Joe et al.
D492,291 S	6/2004	Takahashi et al.
D492,684 S	7/2004	Ozolins et al.
D497,364 S	10/2004	Ozolins et al.
D499,097 S	11/2004	Tsuji et al.
D500,037 S	12/2004	Ozolins et al.
6,837,469 B2	1/2005	Wu et al.
D504,876 S	5/2005	Zheng
D504,889 S	5/2005	Andre et al.
D510,730 S	10/2005	Asanuma et al.
D516,557 S	3/2006	Noda et al.
7,014,154 B2	3/2006	Jeong et al.
D520,006 S	5/2006	Chen et al.
D525,035 S	7/2006	McCay
D530,329 S	10/2006	Chen et al.
D532,011 S	11/2006	Andre et al.
D541,234 S	4/2007	Iijima et al.
D541,278 S	4/2007	Hsu et al.
D541,799 S	5/2007	Andre et al.
D543,517 S	5/2007	Chikuma et al.
D545,820 S	7/2007	Won et al.
D549,673 S	8/2007	Niitsu
D556,755 S	12/2007	Lee et al.
D562,274 S	2/2008	Wang
D565,518 S	4/2008	Tu
D566,066 S	4/2008	Wang



D567,196 S	4/2008	Shih	
D570,841 S	6/2008	Kim et al.	
D621,841 S	8/2010	Andre et al.	
D630,210 S	1/2011	Andre et al.	
D638,013 S	5/2011	Andre et al.	
D651,602 S	1/2012	Andre et al.	
D656,501 S	3/2012	Andre et al.	
D658,190 S	4/2012	Akana et al.	
D661,305 S *	6/2012	Andre et al. D14/374
2003/0058372 A1	3/2003	Williams et al.	
2006/0237599 A1	10/2006	Ternus et al.	

OTHER PUBLICATIONS

Appendix in U.S. Appl. No. 29/201,636 entitled "Electronic Device" filed Mar. 17, 2004, now USPN D504,889.
U.S. Appl. No. 29/365,139 entitled "Computer" filed Jul. 2, 2010.
U.S. Appl. No. 29/366,477 entitled "Electronic Device" filed Jul. 26, 2010.
U.S. Appl. No. 29/396,407 entitled "Electronic Device" filed Jun. 29, 2011.
Office action dated Jul. 13, 2011 in U.S. Appl. No. 29/390,850.
Office action dated Aug. 12, 2011 in U.S. Appl. No. 29/391,177.
U.S. Appl. No. 29/390,850 entitled "Electronic Device" filed Apr. 29, 2011.
U.S. Appl. No. 29/408,029 entitled "Monitor" filed Dec. 6, 2011.
U.S. Appl. No. 29/413,827 entitled "Computer" filed Feb. 21, 2012.
U.S. Appl. No. 29/415,799 entitled "Electronic Device" filed Mar. 14, 2012.

* cited by examiner

Primary Examiner — Freda S Nunn
(74) Attorney, Agent, or Firm — SAIDMAN DesignLaw Group

(57) **CLAIM**
The ornamental design for a monitor, as shown and described.

DESCRIPTION

FIG. 1 is a front perspective view of a monitor showing our new design;
FIG. 2 is a front view thereof;
FIG. 3 is a rear view thereof;
FIG. 4 is a left side view thereof;
FIG. 5 is a right side view thereof;
FIG. 6 is a top view thereof;
FIG. 7 is a bottom view thereof;
FIG. 8 is a rear perspective view thereof;
FIG. 9 is a front perspective view of a second embodiment thereof;
FIG. 10 is a front view thereof;
FIG. 11 is a rear view thereof;
FIG. 12 is a left side view thereof;
FIG. 13 is a right side view thereof;
FIG. 14 is a top view thereof;
FIG. 15 is a bottom view thereof; and,
FIG. 16 is a rear perspective view thereof.
The closely spaced parallel diagonal shade lines indicate translucency. The broken lines are for the purpose of illustrating portions of the monitor and form no part of the claimed design. The black shading on the front of the monitor represents the color black and the dark gray shading on the front of the monitor represents the color gray.

1 Claim, 12 Drawing Sheets

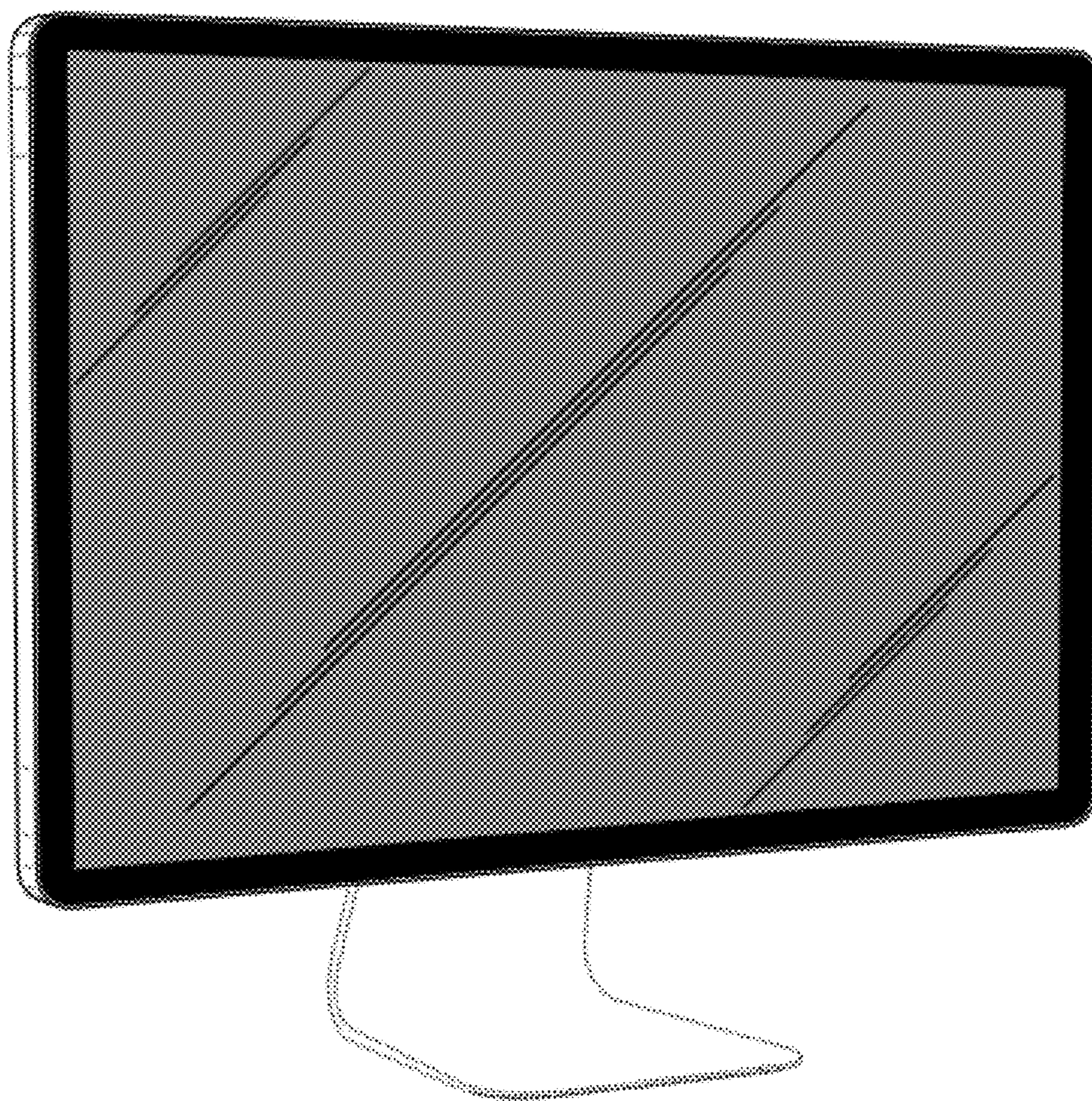


Fig. 1

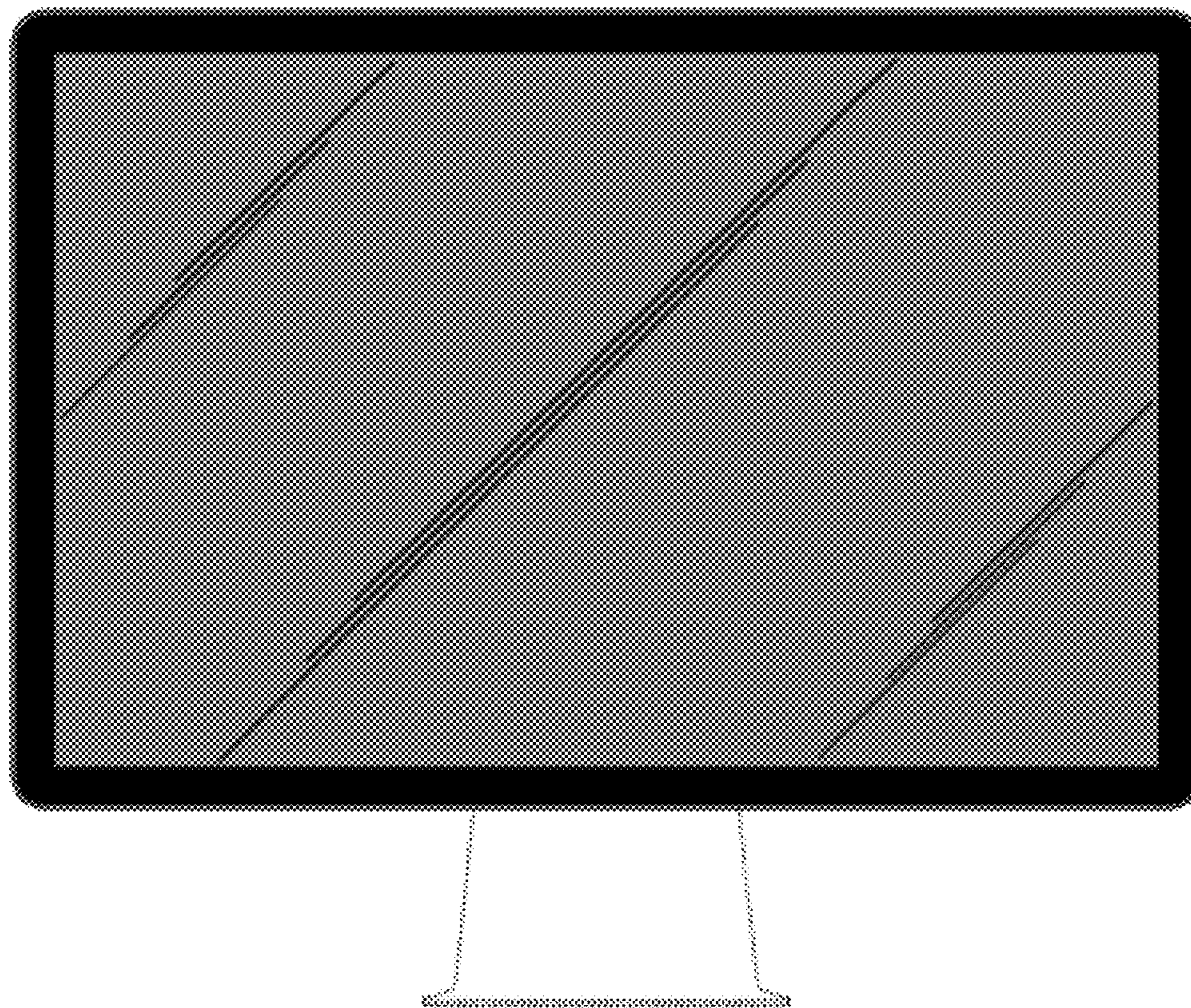


Fig. 2

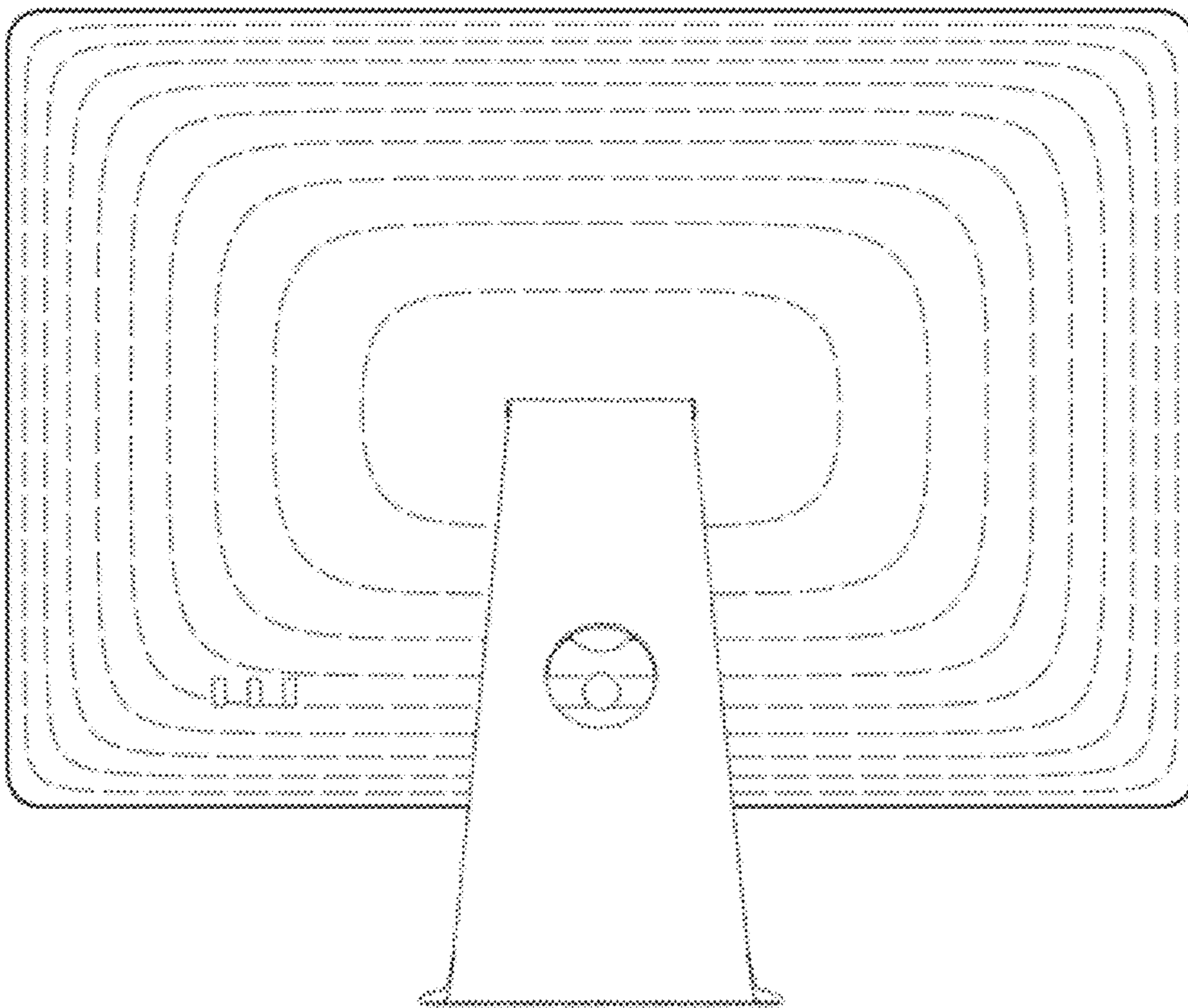


Fig. 3

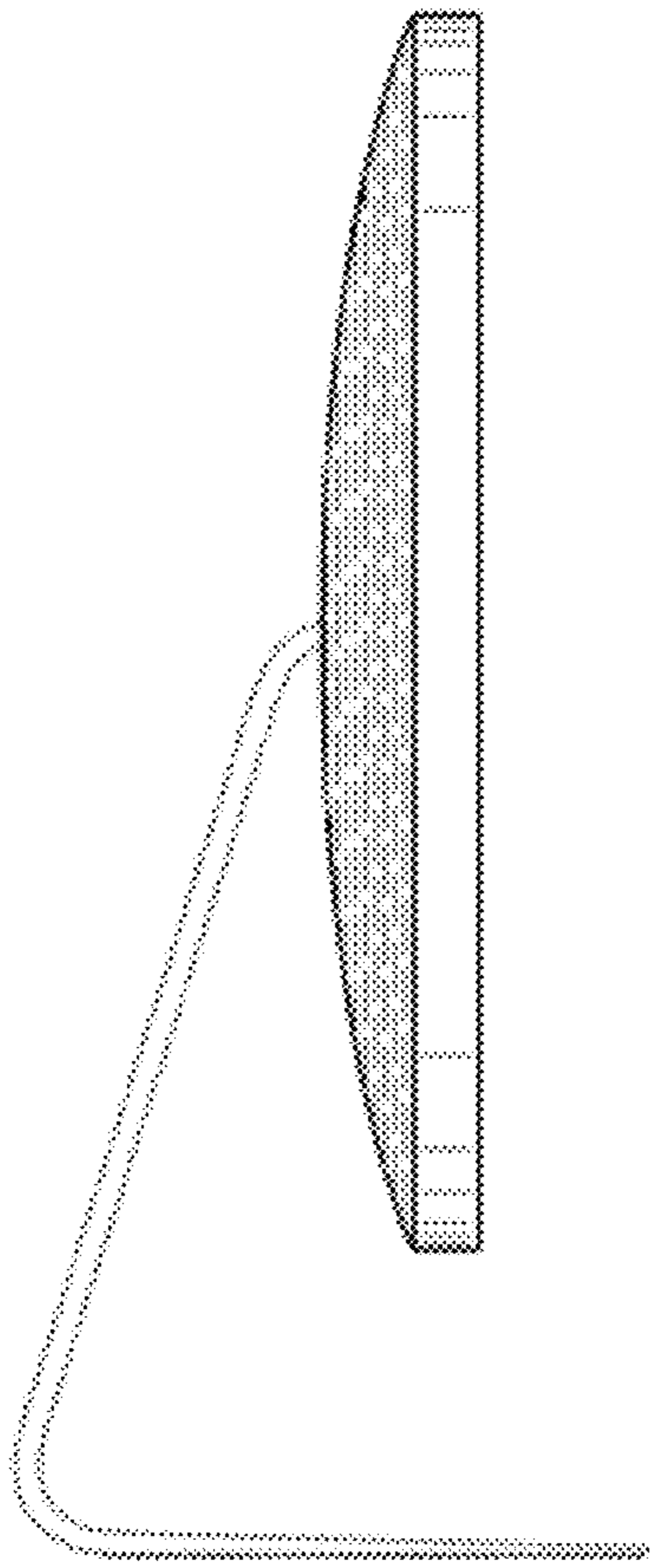


Fig. 4

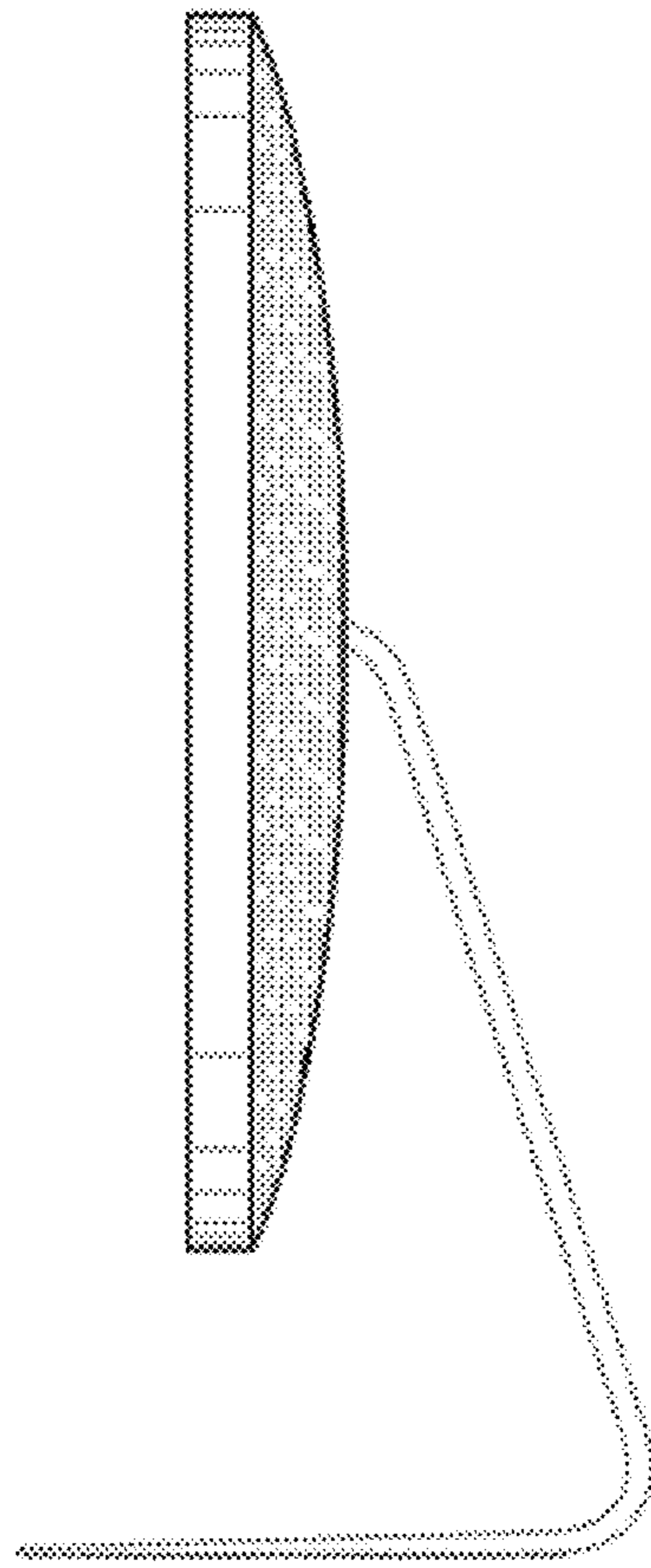


Fig. 5

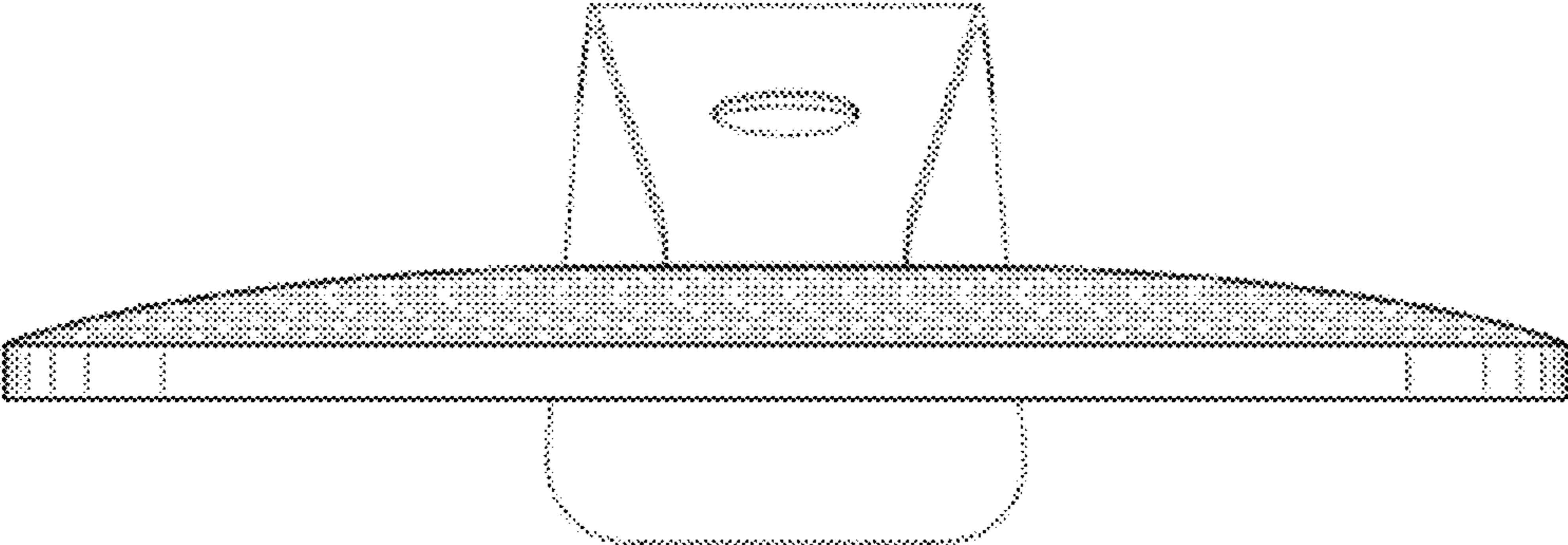


Fig. 6

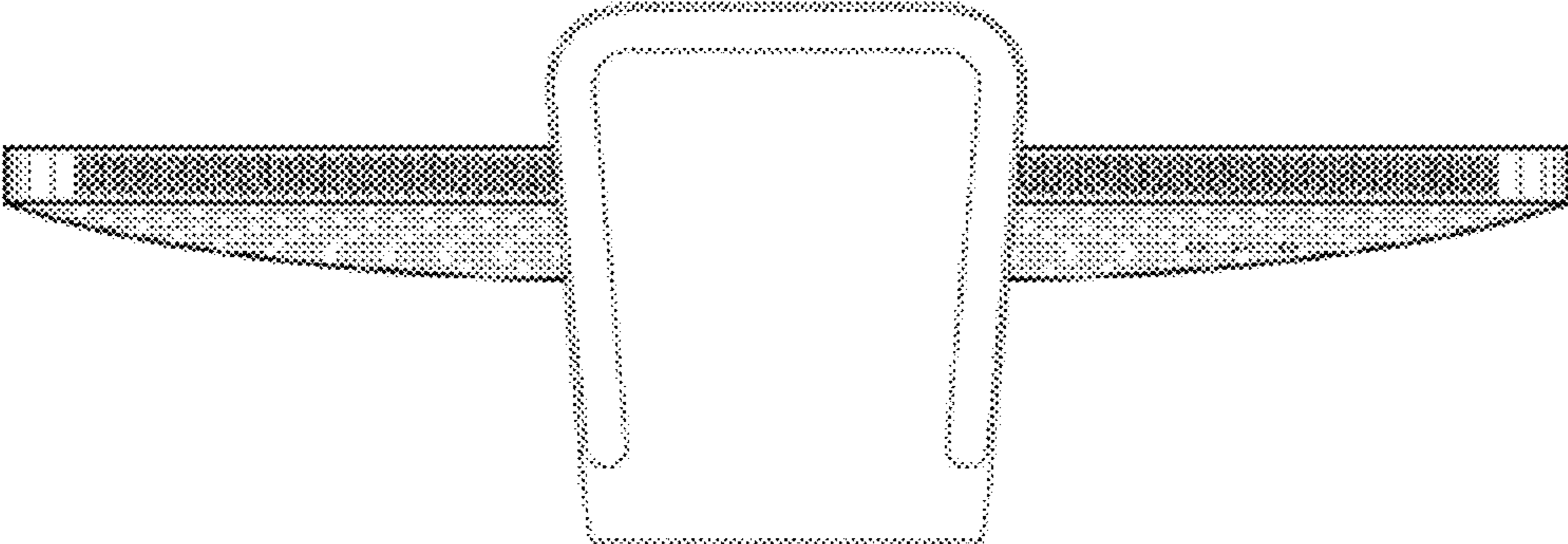


Fig. 7

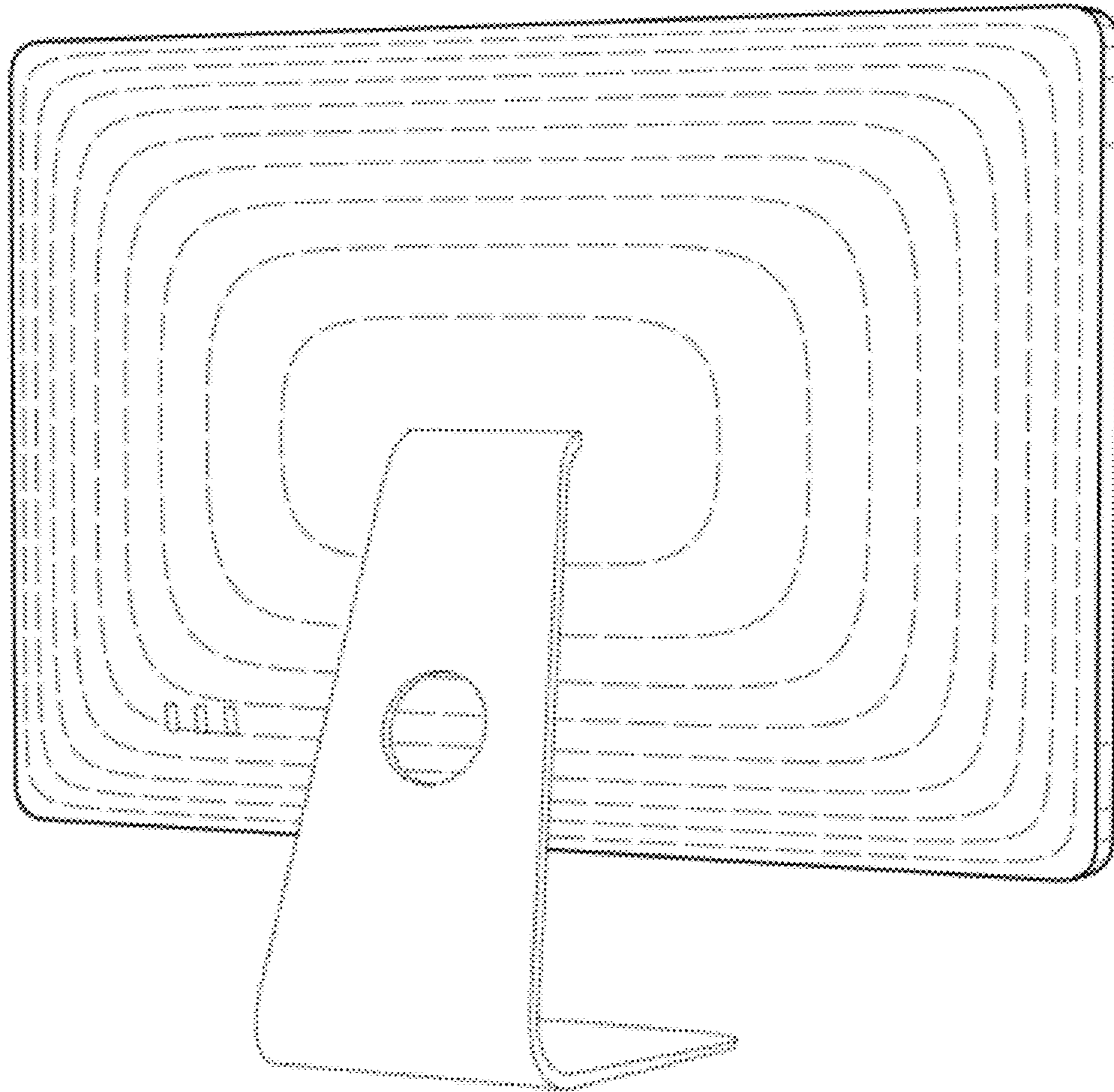


Fig. 8

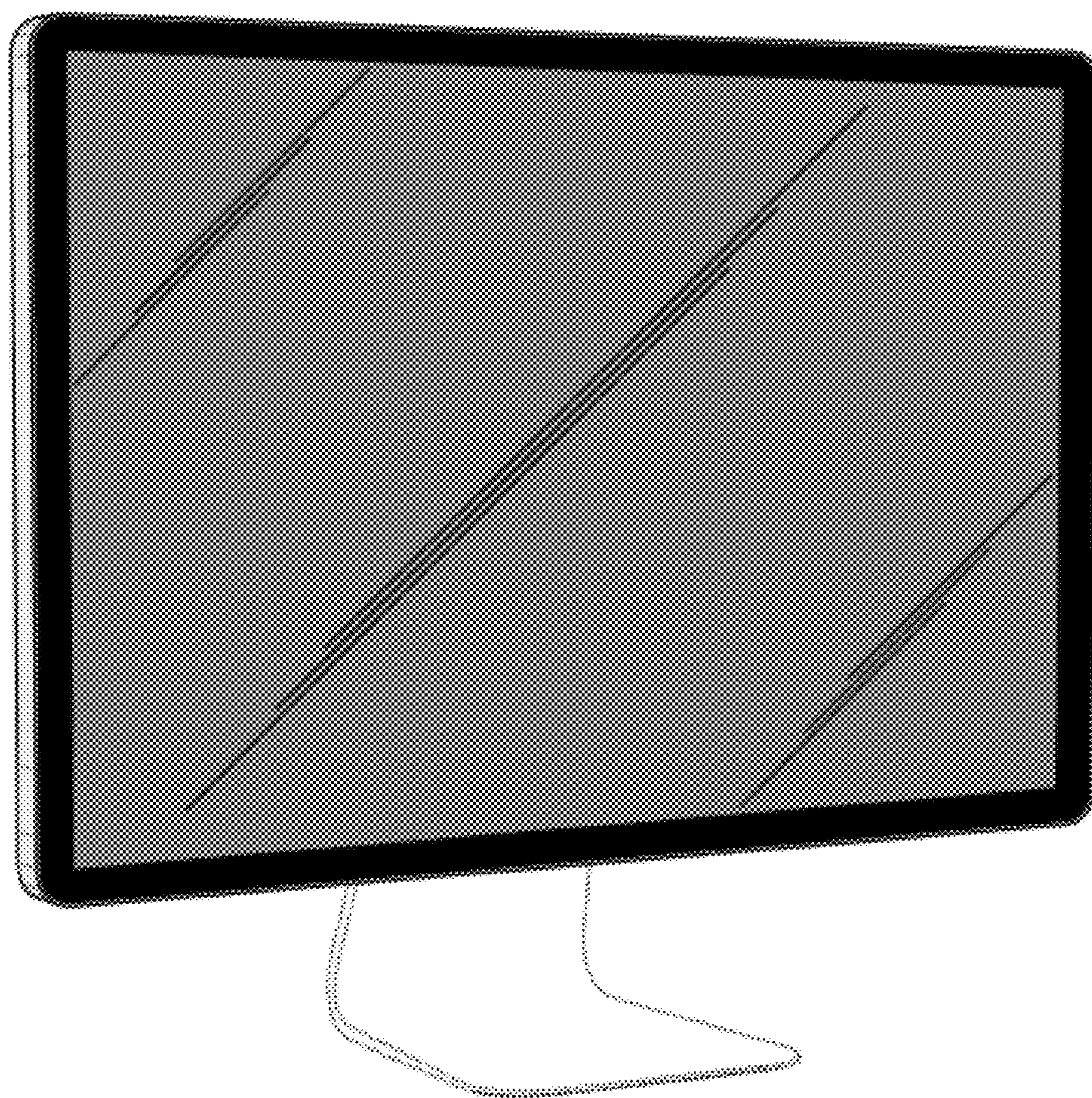


Fig. 9

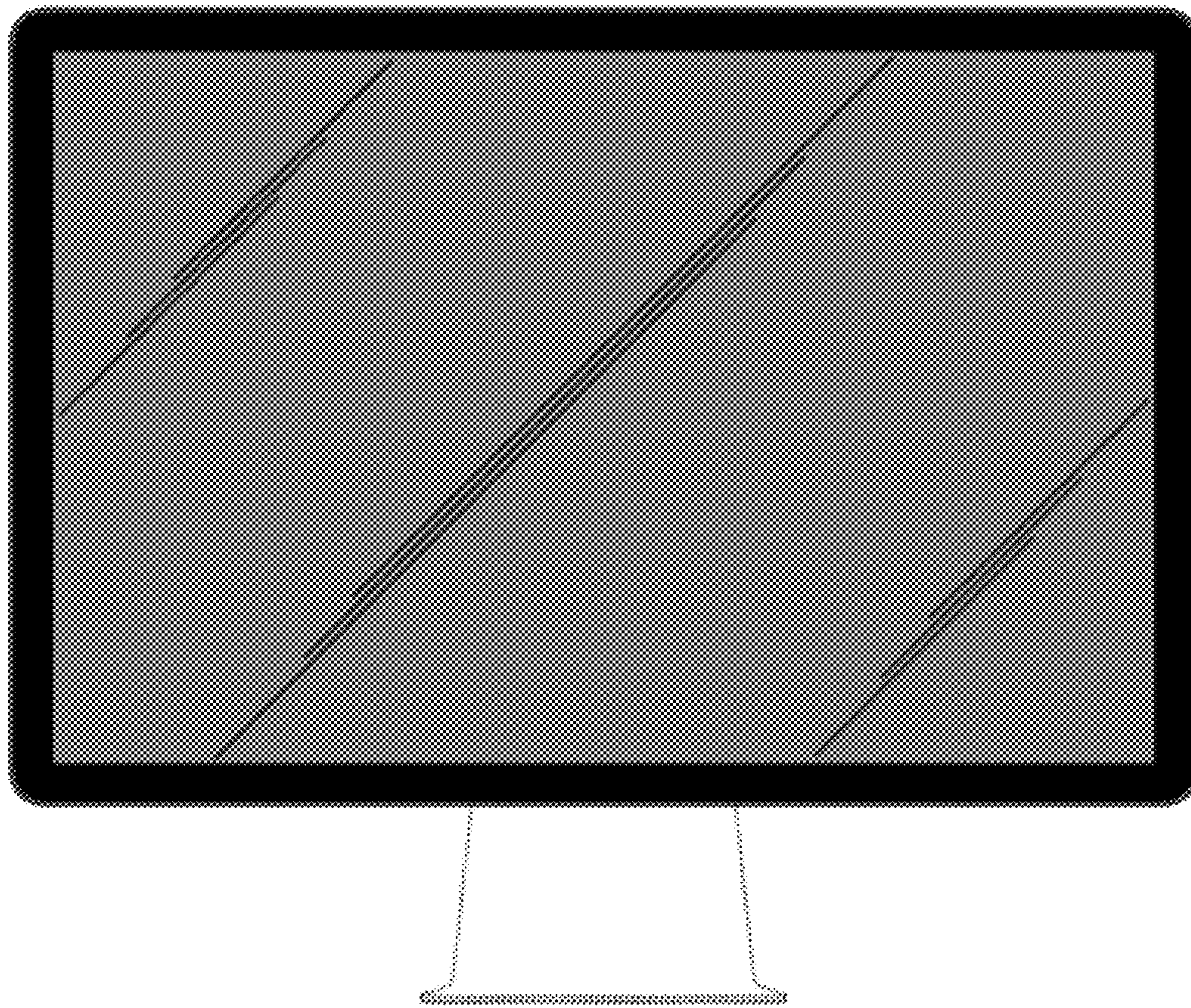


Fig. 10

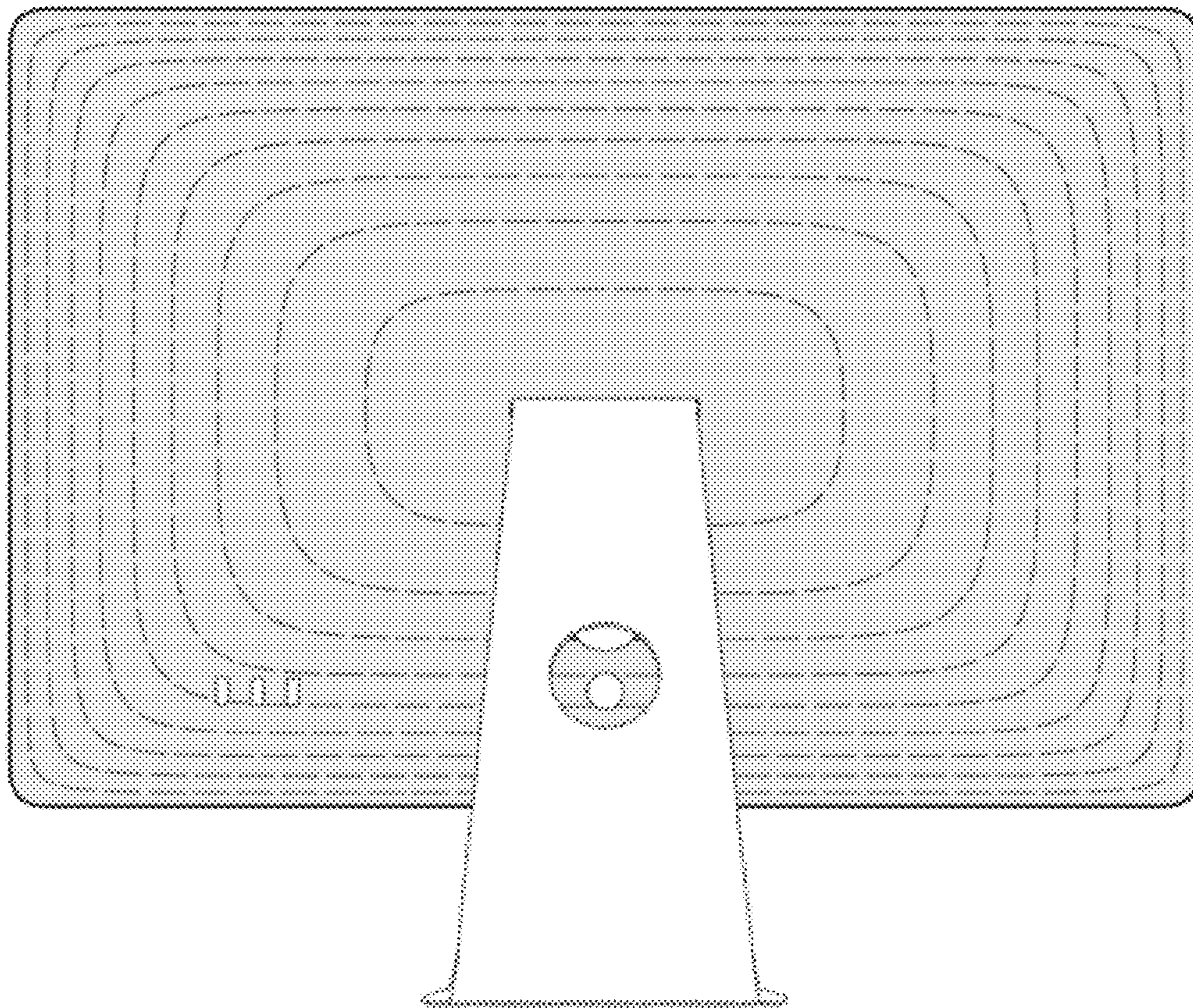


Fig. 11

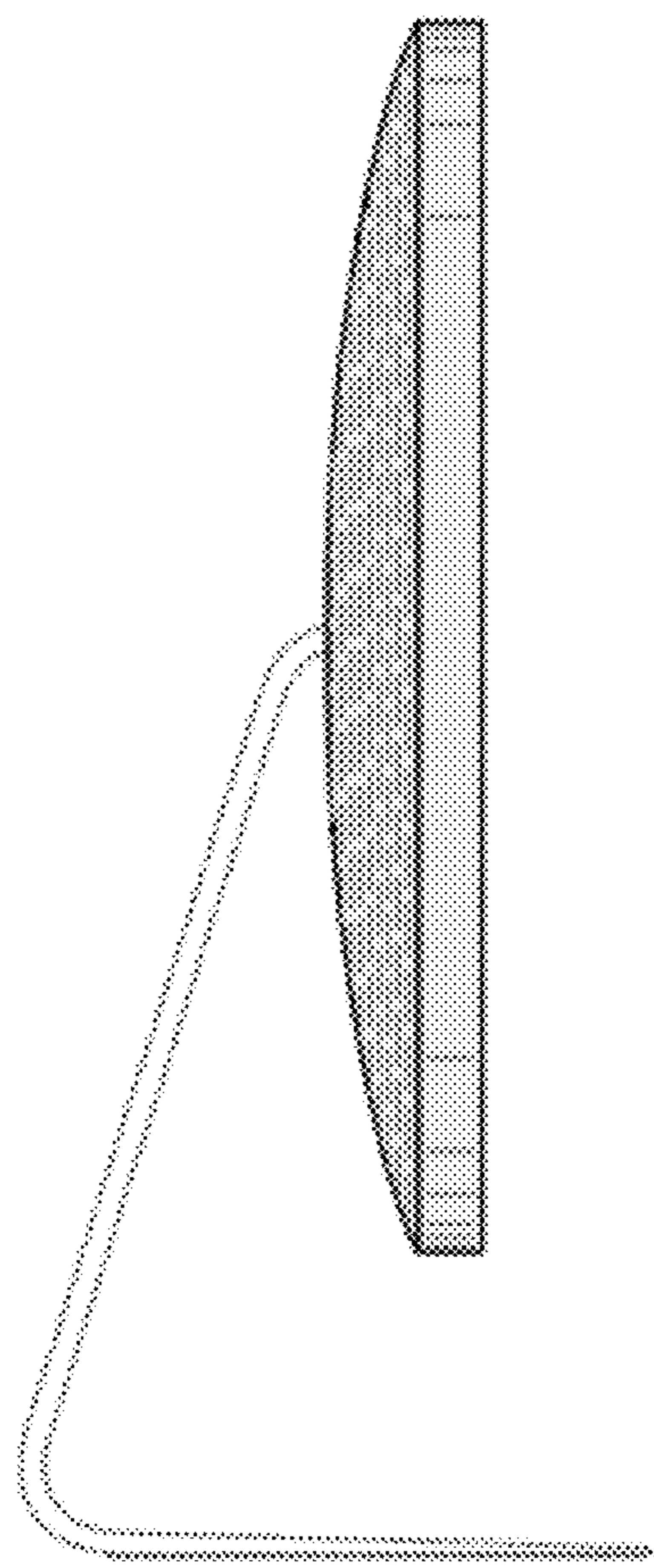


Fig. 12

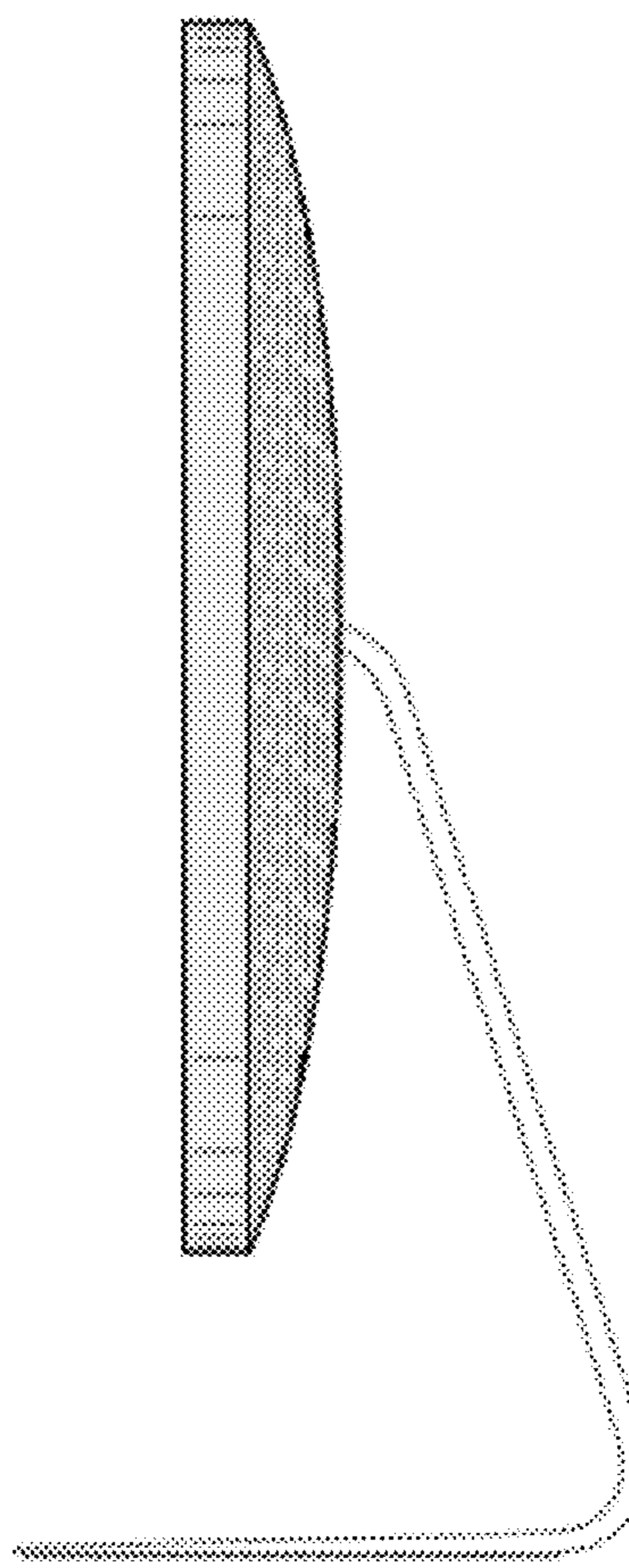


Fig. 13

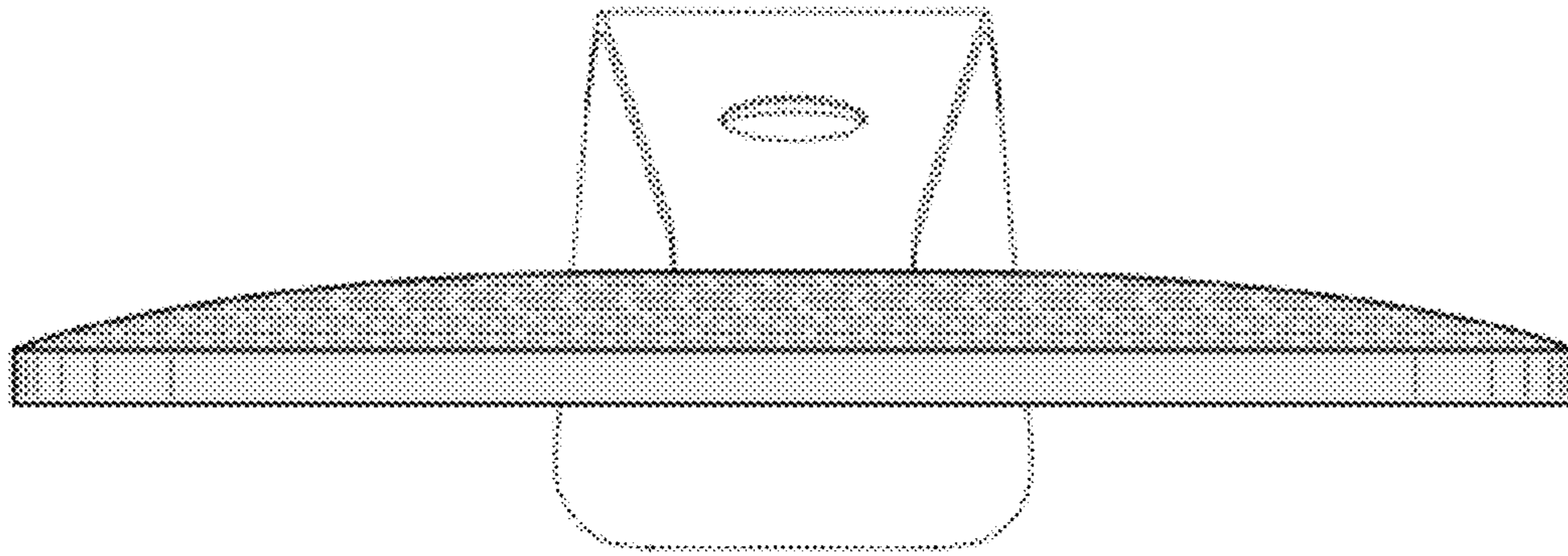


Fig. 14

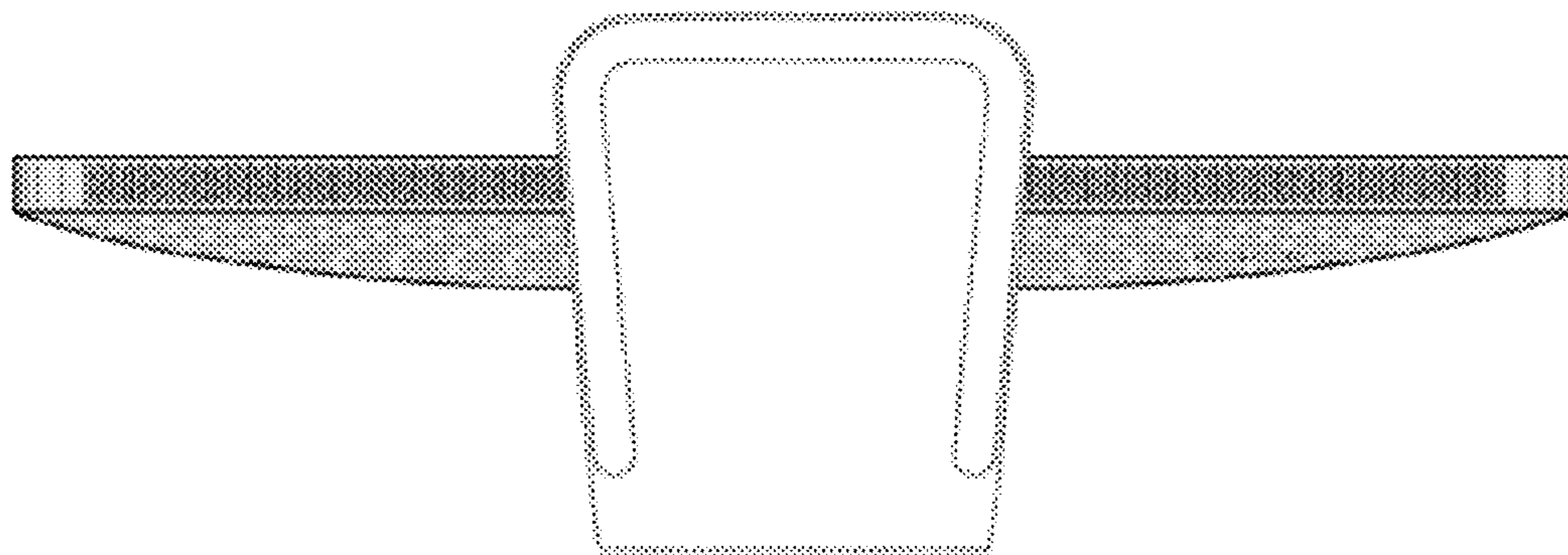


Fig. 15

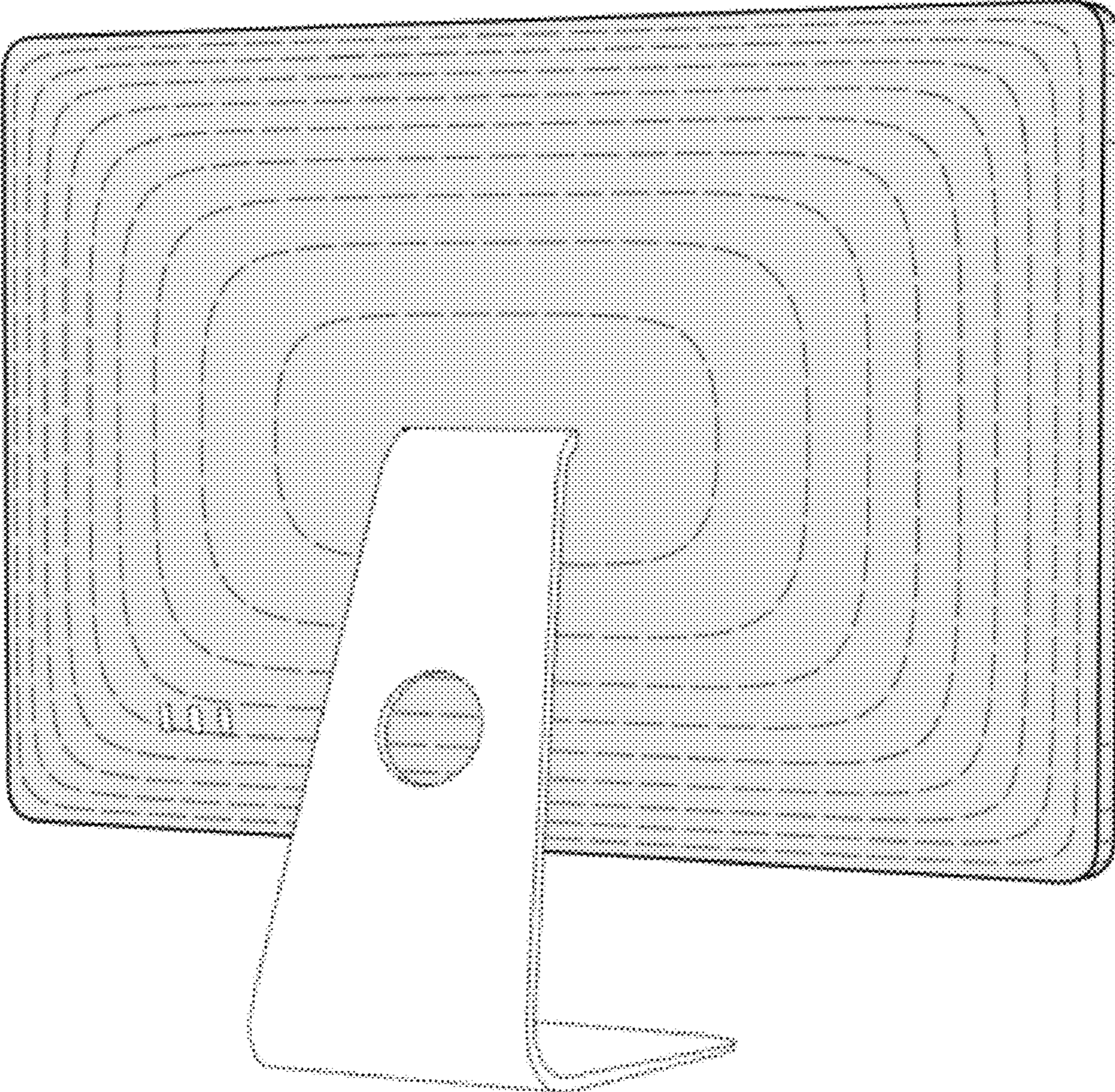


Fig. 16