

US00D677256S

(12) **United States Design Patent**
Sogabe

(10) **Patent No.:** **US D677,256 S**
(45) **Date of Patent:** **** Mar. 5, 2013**

(54) **MONITOR**

(75) Inventor: **Takashi Sogabe**, Tokyo (JP)

(73) Assignee: **Sony Computer Entertainment Inc.**,
Tokyo (JP)

(**) Term: **14 Years**

(21) Appl. No.: **29/371,840**

(22) Filed: **Oct. 21, 2011**

(30) **Foreign Application Priority Data**

Jun. 3, 2011 (JP) D2011-012689

(51) **LOC (9) Cl.** **14-02**

(52) **U.S. Cl.** **D14/374**

(58) **Field of Classification Search** D14/371-376,
D14/125-129, 336, 337; D6/308, 311; 345/104,
345/156, 173, 174, 901-905; 348/180, 184,
348/325, 739; 361/679.08, 679.23; 349/1,
349/2, 11, 58; 248/917-924, 371; 341/12

See application file for complete search history.

(56) **References Cited**

U.S. PATENT DOCUMENTS

D457,160 S 5/2002 Goto
6,837,469 B2 * 1/2005 Wu et al. 248/278.1
D595,248 S 6/2009 Fujii et al.
D597,041 S * 7/2009 Cho et al. D14/126
D608,311 S * 1/2010 Lee et al. D14/126
D614,596 S * 4/2010 Won et al. D14/126

FOREIGN PATENT DOCUMENTS

EM 000391511-0001 8/2005
EM 001623950-0001 10/2009
JP D1243620 S 6/2005
JP D1258714 S 12/2005
JP D1258715 S 12/2005

JP D1258716 S 12/2005
TW D136910 9/2010
TW D136912 9/2010
TW D136914 9/2010

OTHER PUBLICATIONS

Decision to Grant in corresponding Taiwanese patent application No.
100305851, dated Apr. 17, 2012.

Office Action in corresponding Russian Patent Application No.
2011503325, dated Mar. 28, 2012.

* cited by examiner

Primary Examiner — Freda S Nunn

(74) *Attorney, Agent, or Firm* — Rader, Fishman & Grauer
PLLC

(57) **CLAIM**

The ornamental design for a monitor, as shown and described.

DESCRIPTION

FIG. 1 is a front, top, right perspective view of a monitor
showing my new design;

FIG. 2 is a rear, top, right perspective view thereof;

FIG. 3 is a front elevational view thereof;

FIG. 4 is a rear elevational view thereof;

FIG. 5 is a left side elevational view thereof;

FIG. 6 is a right side elevational view thereof;

FIG. 7 is a top plan view thereof; and,

FIG. 8 is a bottom plan view thereof.

The portions that are shown as broken lines are for illustrative
purposes only and form no part of the claimed design.

1 Claim, 7 Drawing Sheets

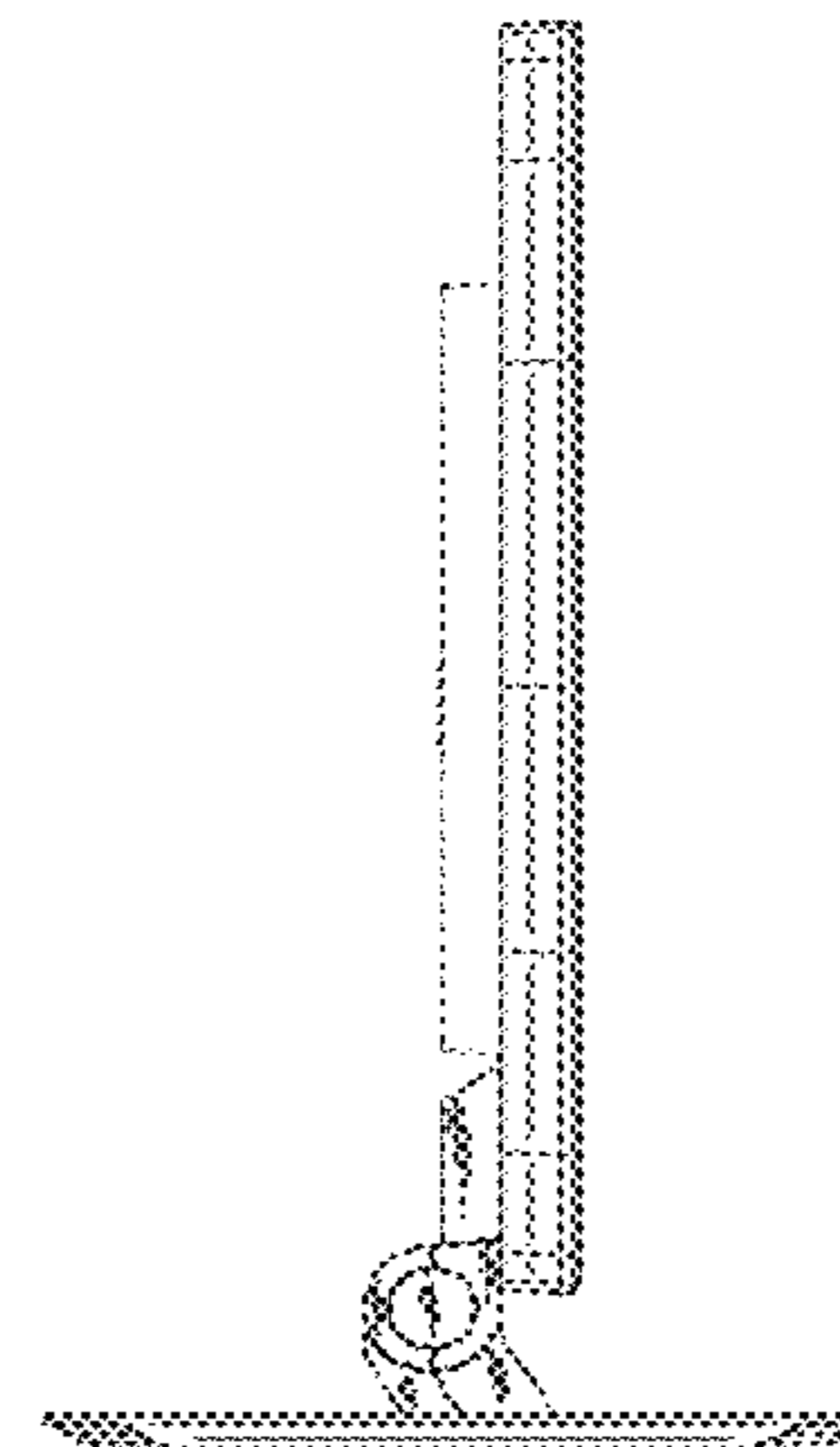
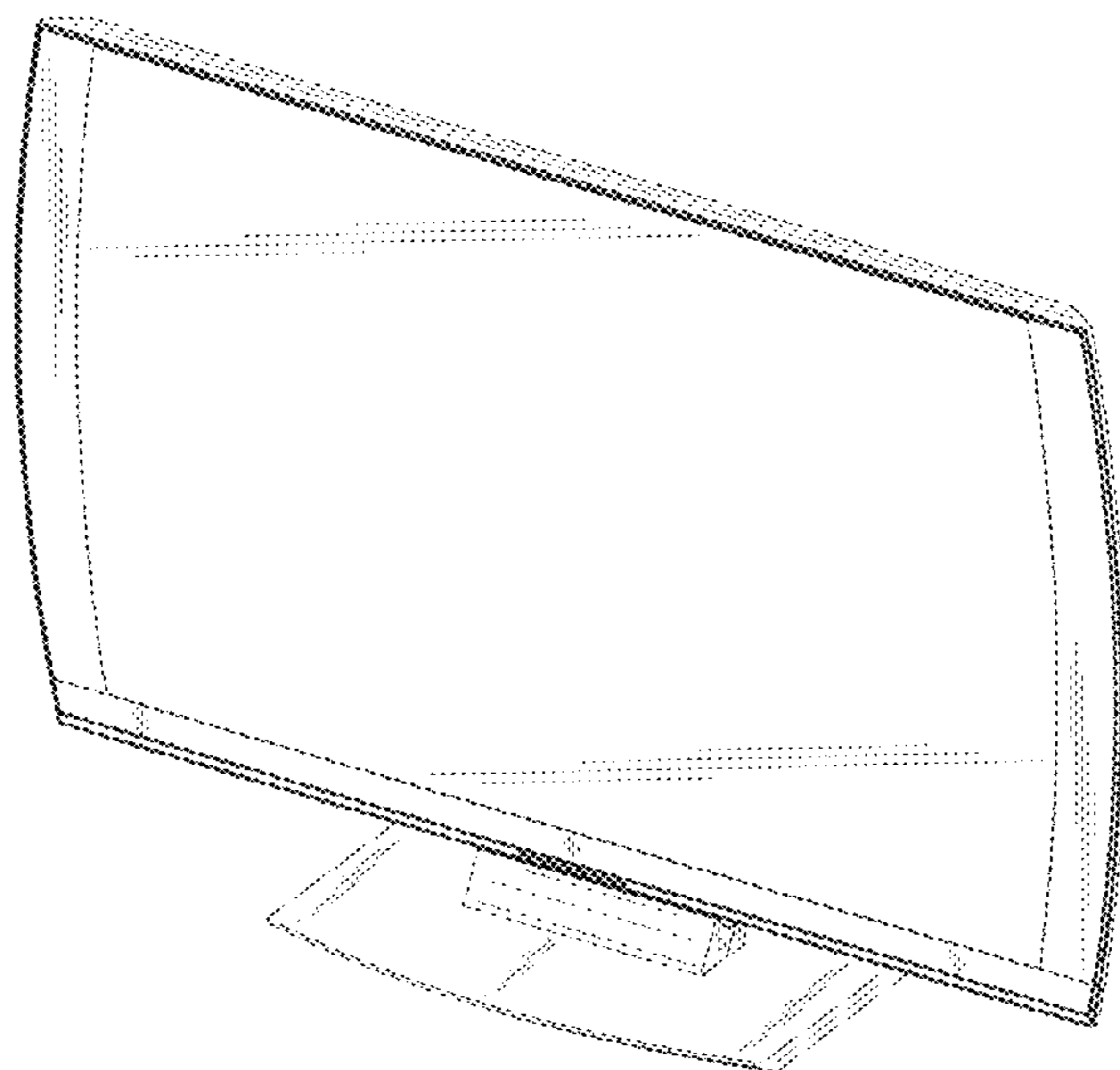
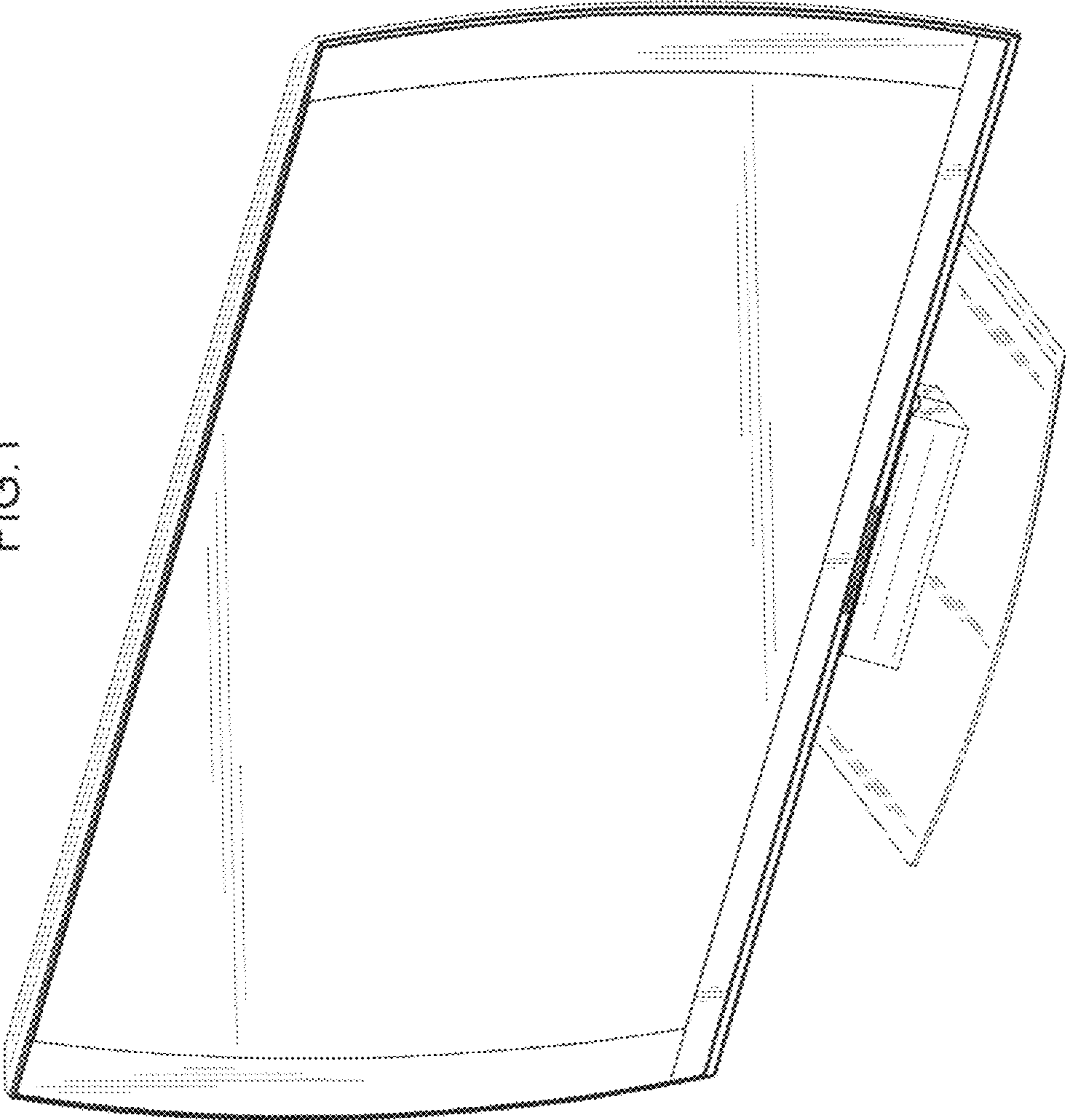


FIG.1



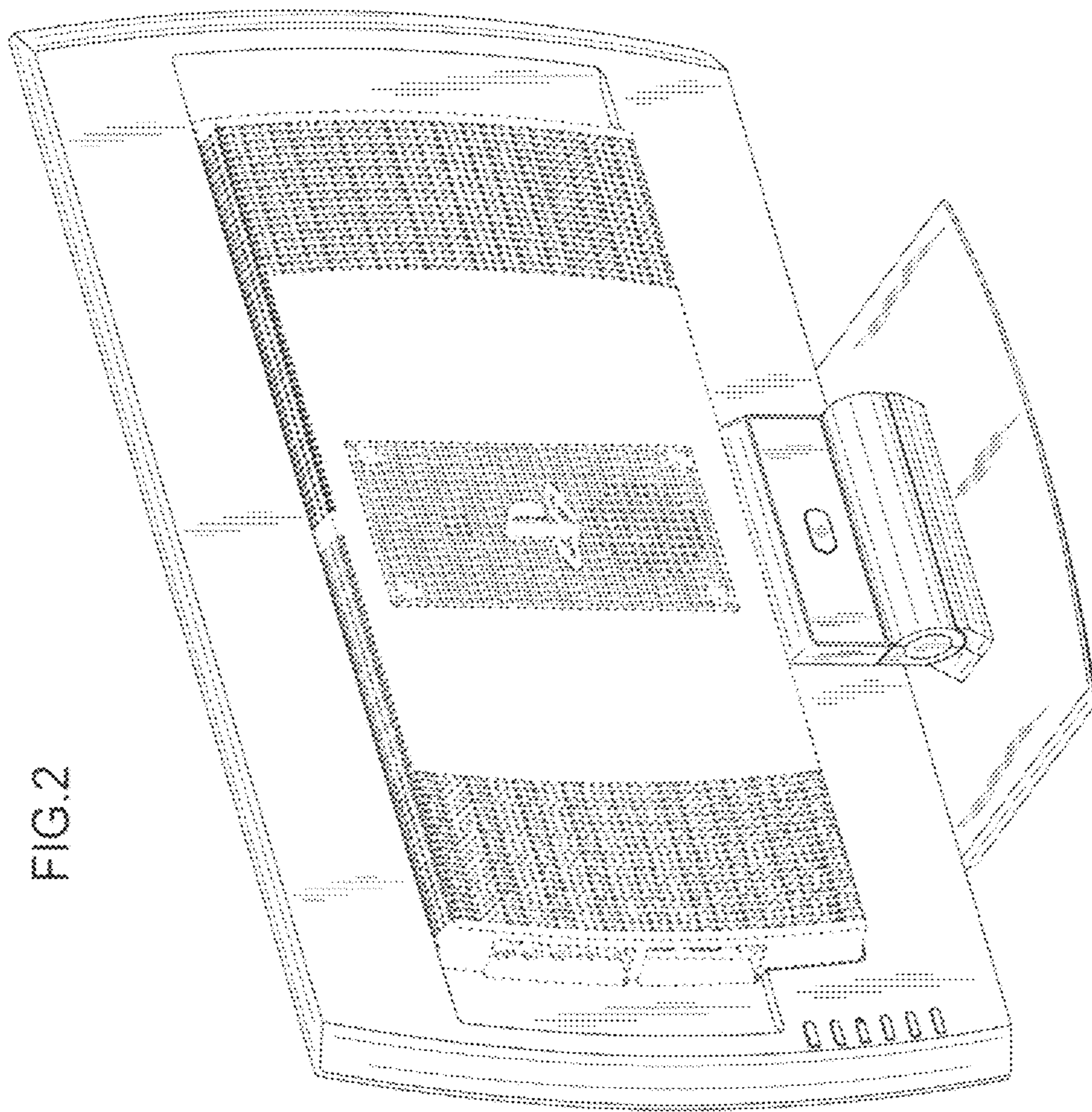


FIG. 2

FIG.3

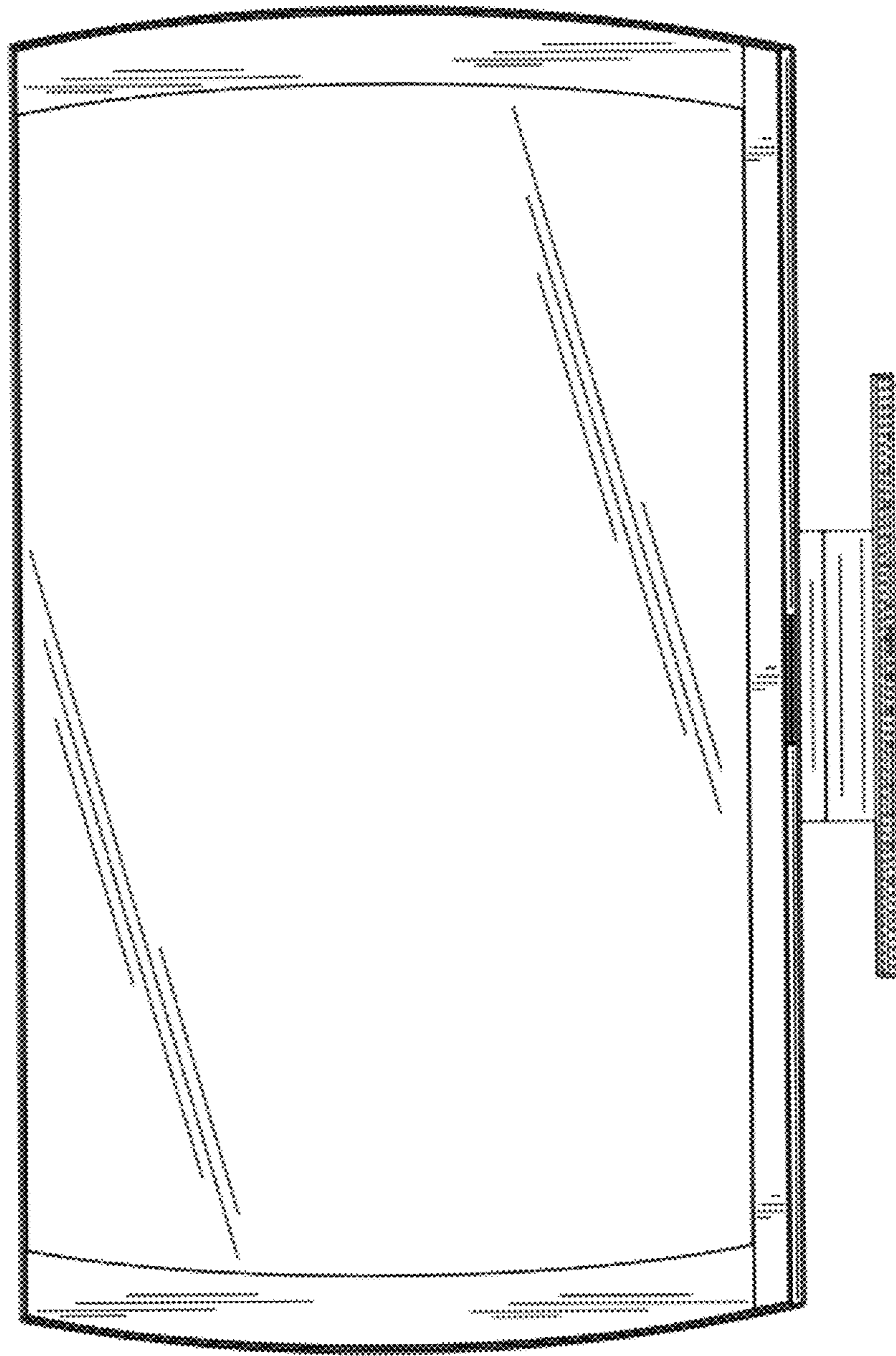


FIG.4

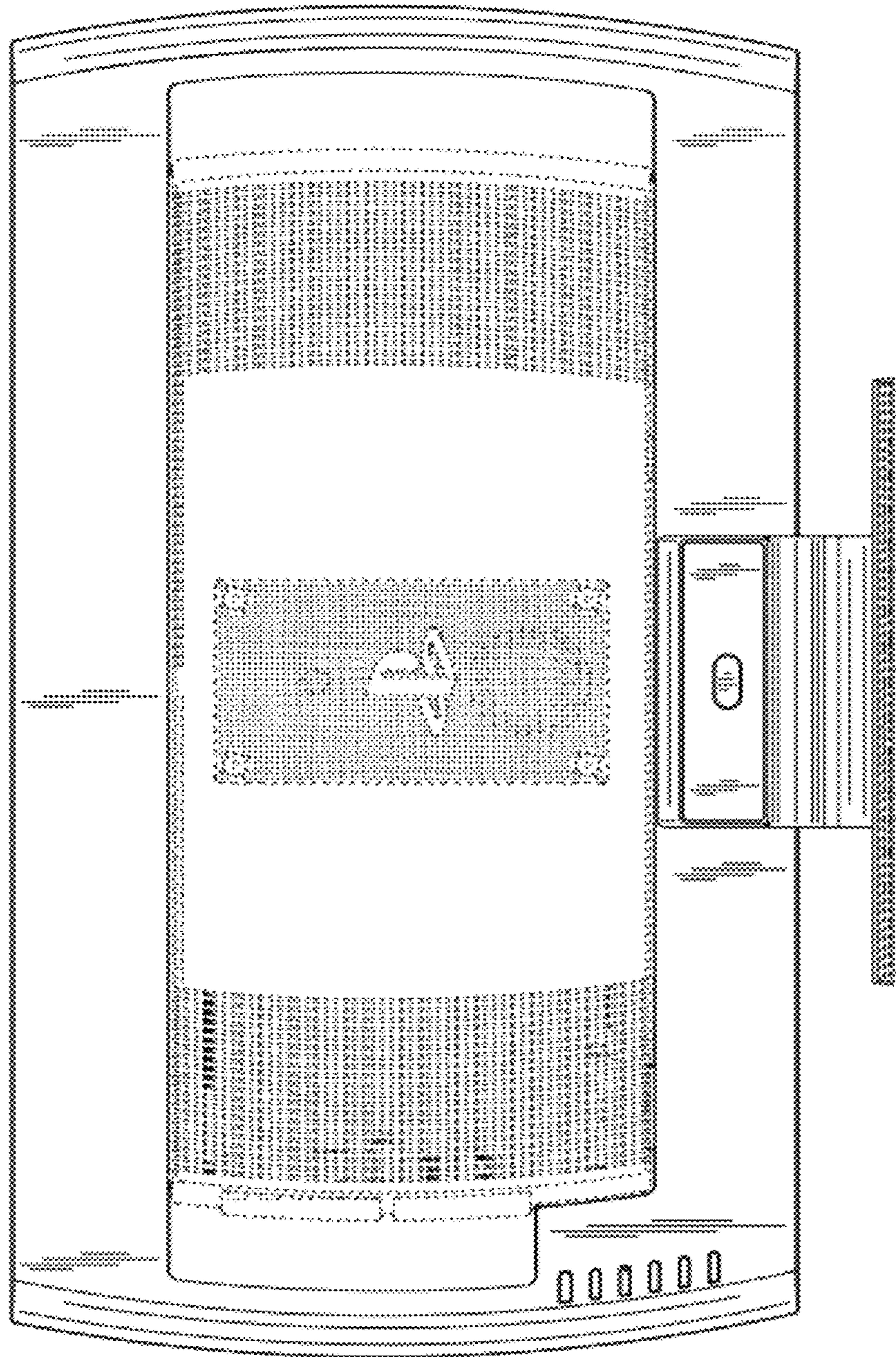


FIG.5

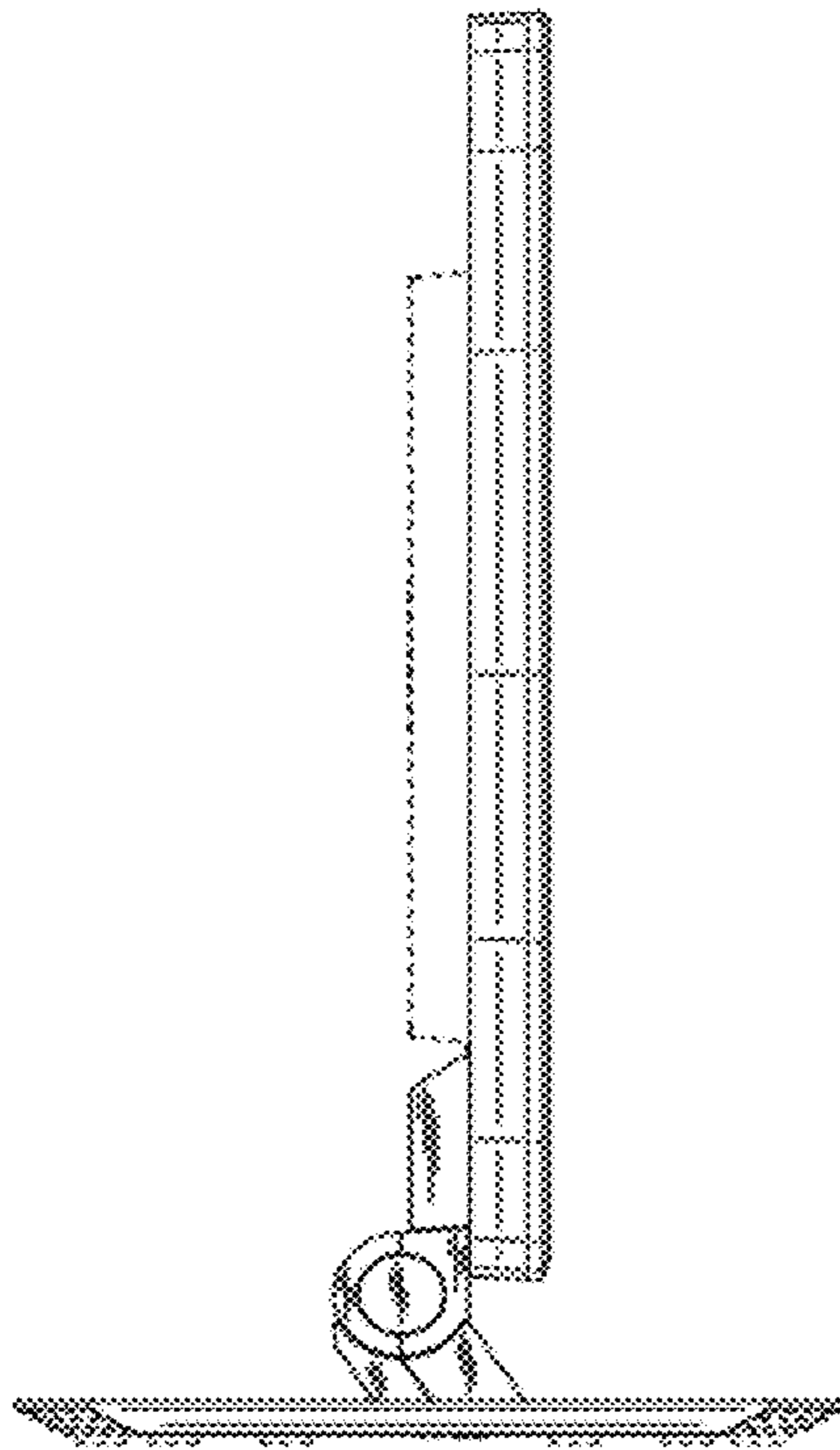


FIG.6

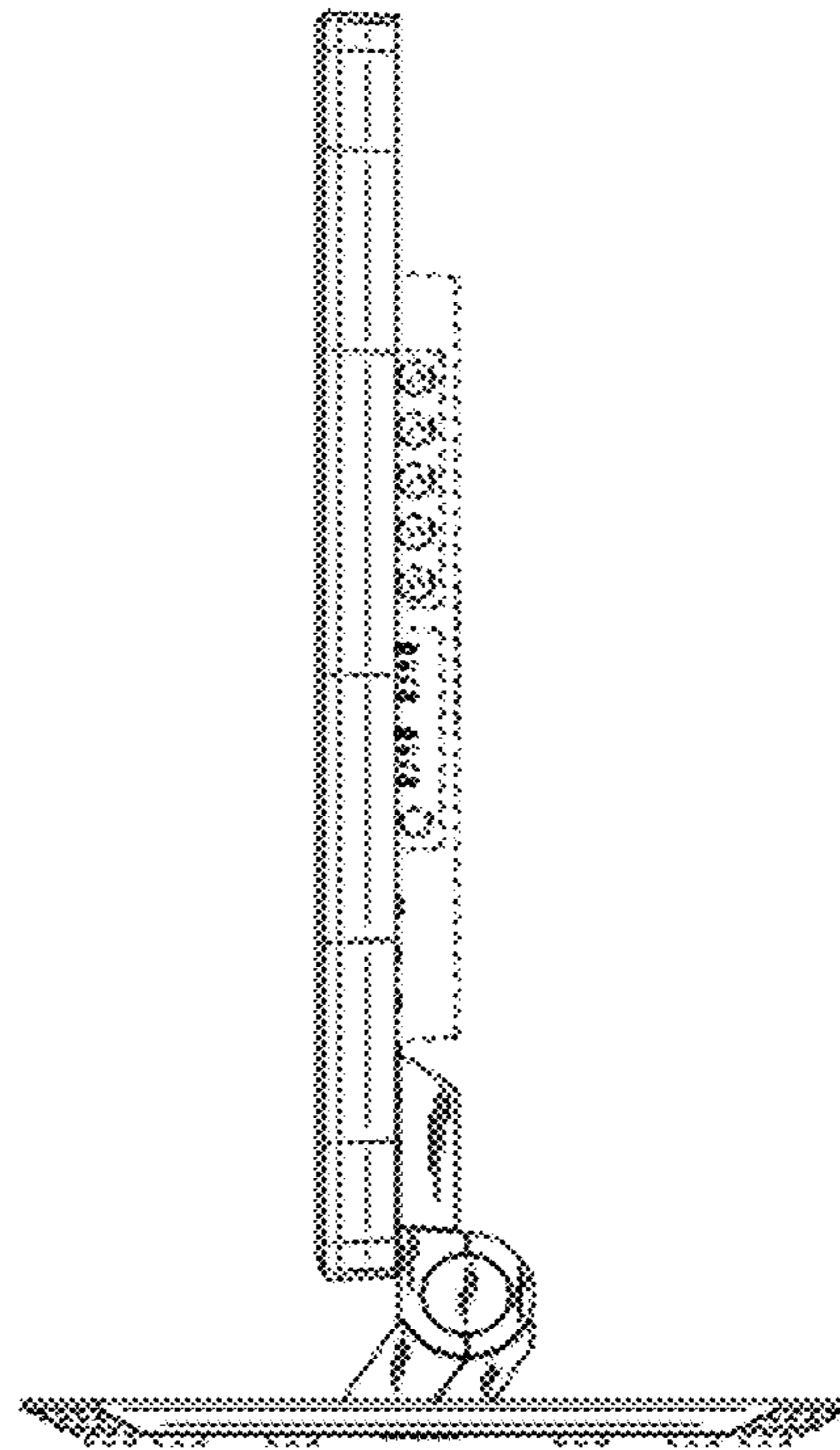


FIG.7

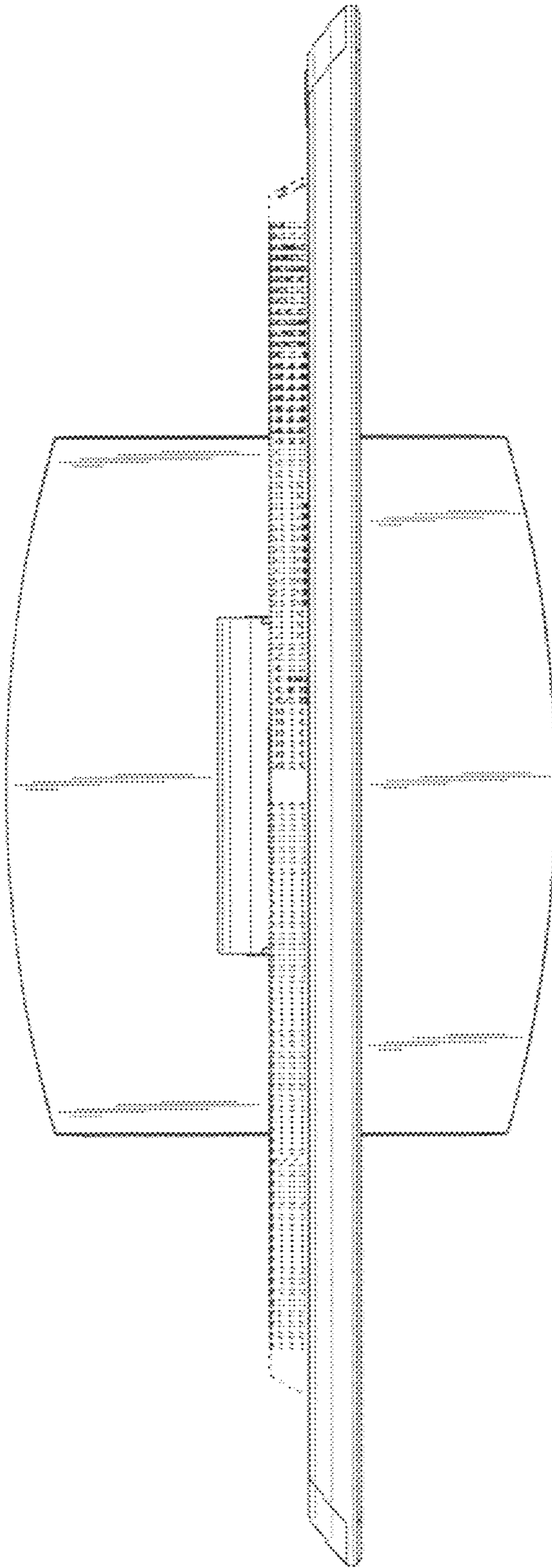


FIG.8

