



US00D677254S

(12) **United States Design Patent**
Crisp et al.

(10) **Patent No.:** **US D677,254 S**

(45) **Date of Patent:** **** Mar. 5, 2013**

(54) **MODULAR SERVER**

(75) Inventors: **Richard A. Crisp**, Austin, TX (US);
Austin Orand, Portland, OR (US); **Paul D. Kramer**, Austin, TX (US)

(73) Assignee: **Dell Products L.P.**, Round Rock, TX (US)

(**) Term: **14 Years**

(21) Appl. No.: **29/415,495**

(22) Filed: **Mar. 12, 2012**

(51) **LOC (9) Cl.** **14-02**

(52) **U.S. Cl.** **D14/300**

(58) **Field of Classification Search** D14/300,
D14/308, 313, 349-356; D13/162, 184,
D13/199; 312/223.1-223.3, 351.11;
360/99.01-99.12; 369/34.01-36.01;
361/679.31-679.33

See application file for complete search history.

(56) **References Cited**

U.S. PATENT DOCUMENTS

D383,448 S * 9/1997 Richardson et al. D14/313
D431,241 S * 9/2000 Armstrong et al. D14/348

D560,217 S * 1/2008 Adachi D14/300
D565,560 S * 4/2008 Alo et al. D14/313
D585,440 S * 1/2009 Alfonso et al. D14/313

* cited by examiner

Primary Examiner — Freda S Nunn

(74) *Attorney, Agent, or Firm* — Hamilton & Terrile, LLP;
Stephen A. Terrile

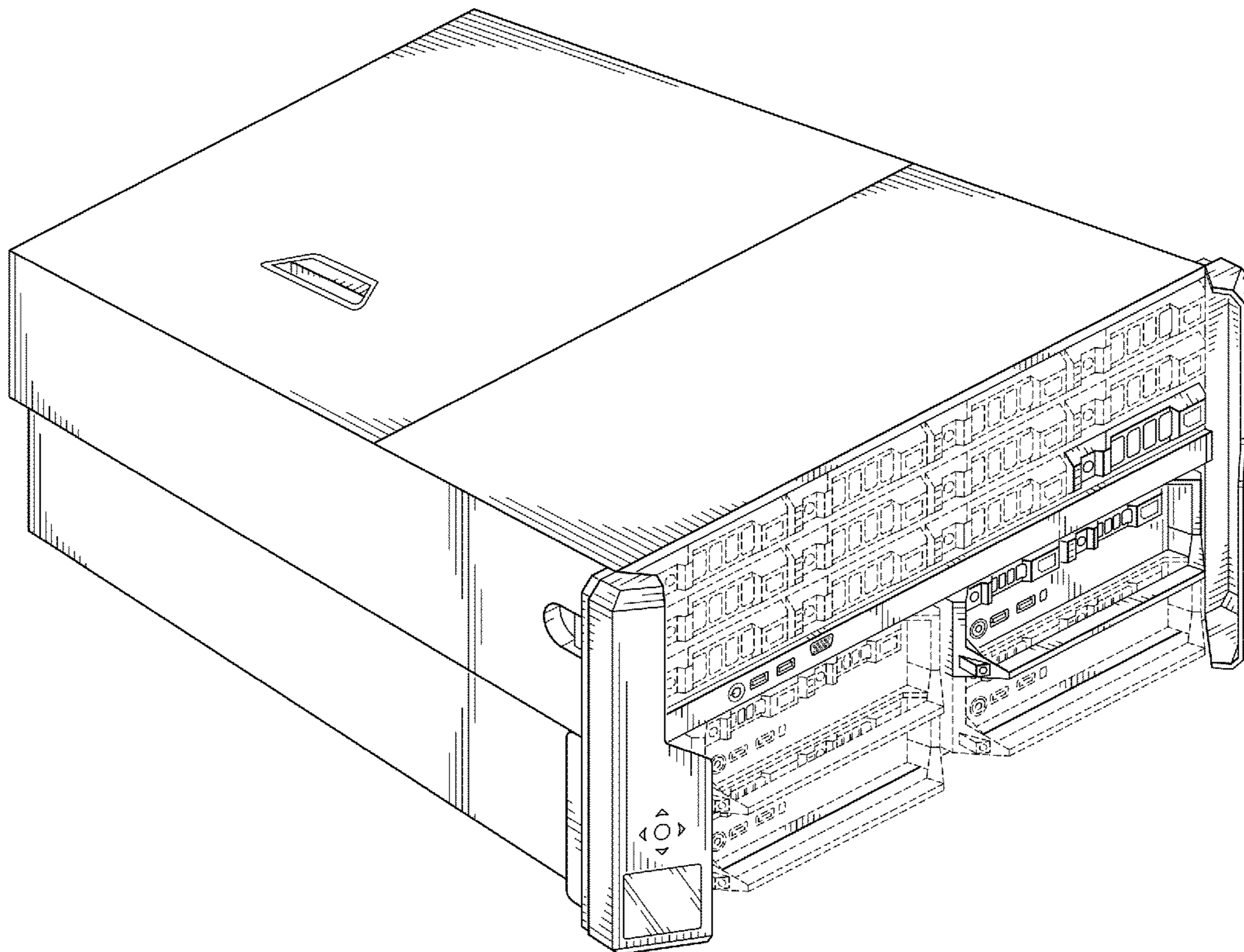
(57) **CLAIM**

We claim the ornamental design for the modular server, as shown and described.

DESCRIPTION

FIG. 1 is a perspective view of the modular server comprising the present invention;
FIG. 2 is a front view thereof;
FIG. 3 is a right side view thereof;
FIG. 4 is a left side view thereof;
FIG. 5 is a rear view thereof;
FIG. 6 is a top view thereof; and,
FIG. 7 is a bottom view thereof.
Broken lines shown in the drawings illustrate portions of the modular server, and form no part of the claimed design.

1 Claim, 7 Drawing Sheets



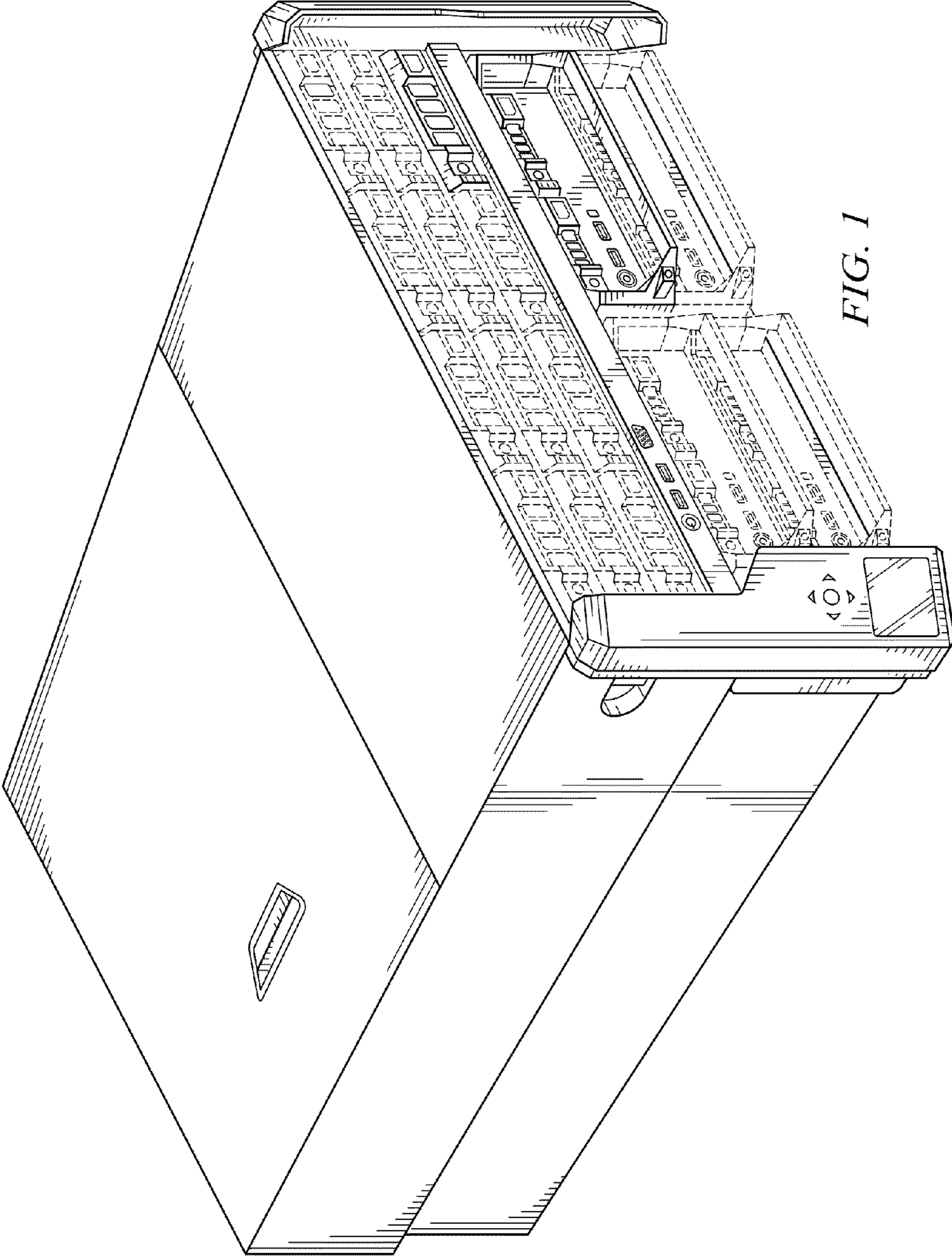


FIG. 1

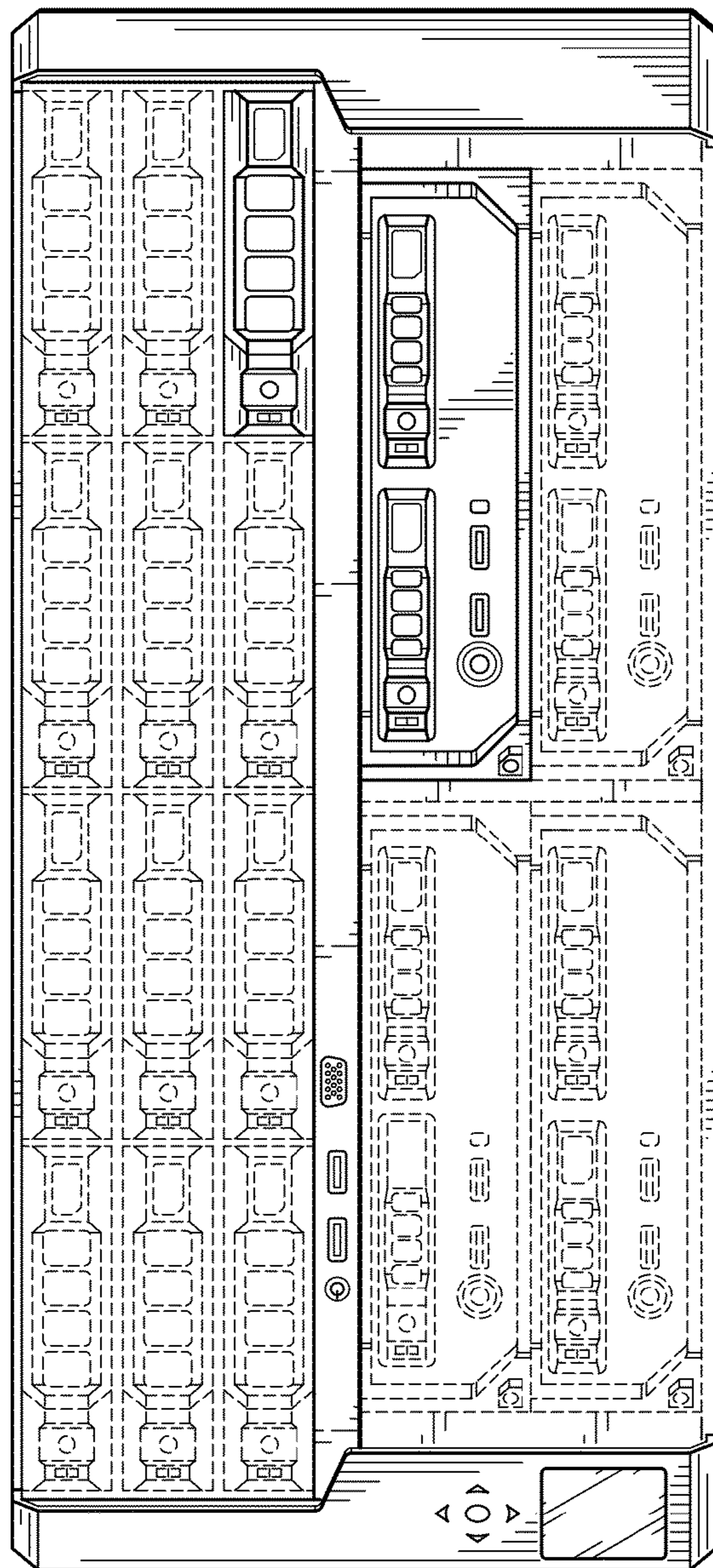


FIG. 2

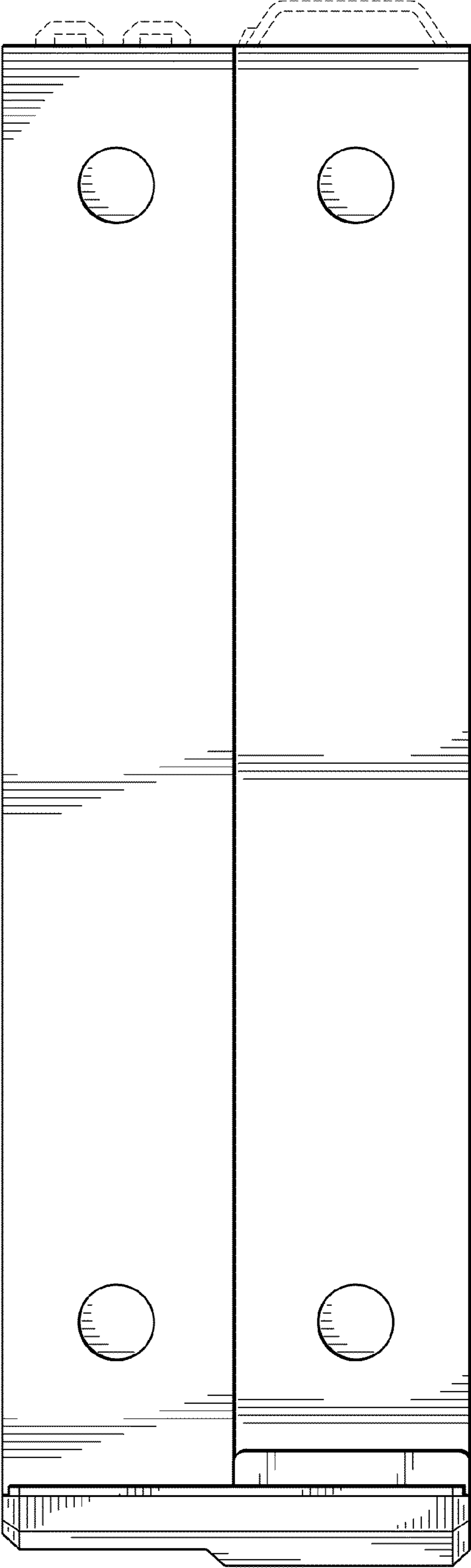


FIG. 3

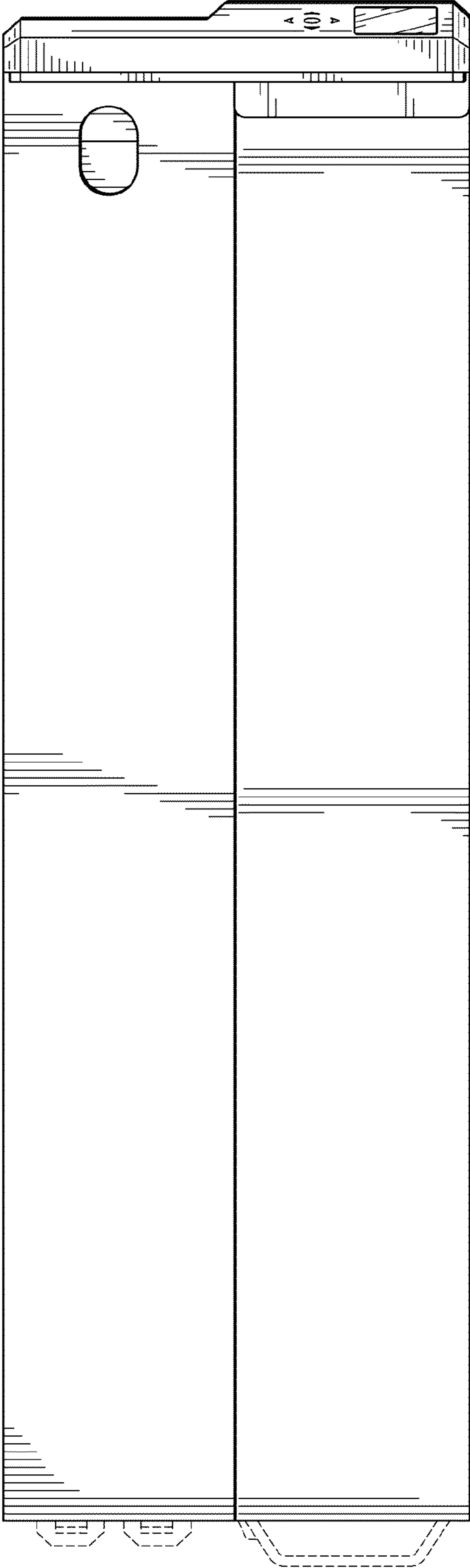


FIG. 4

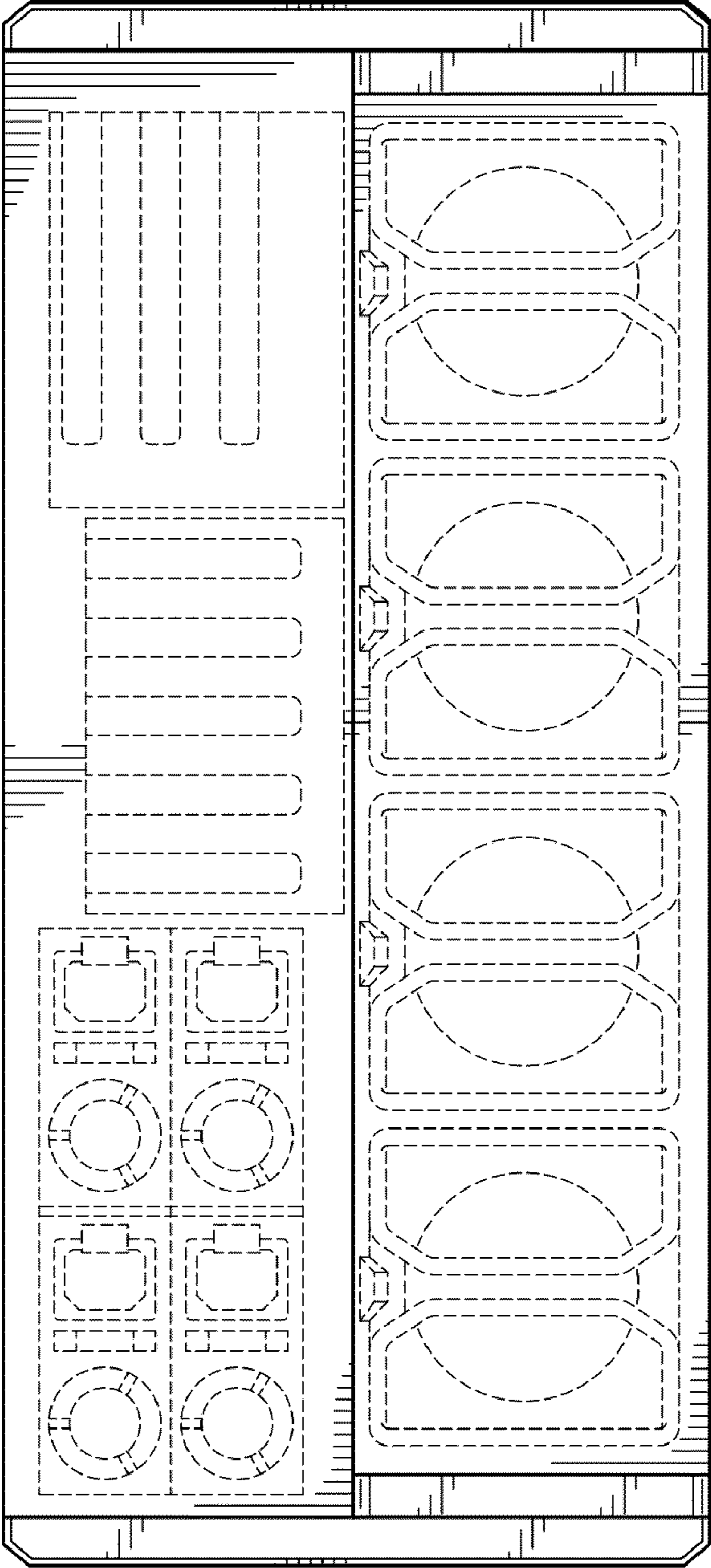


FIG. 5

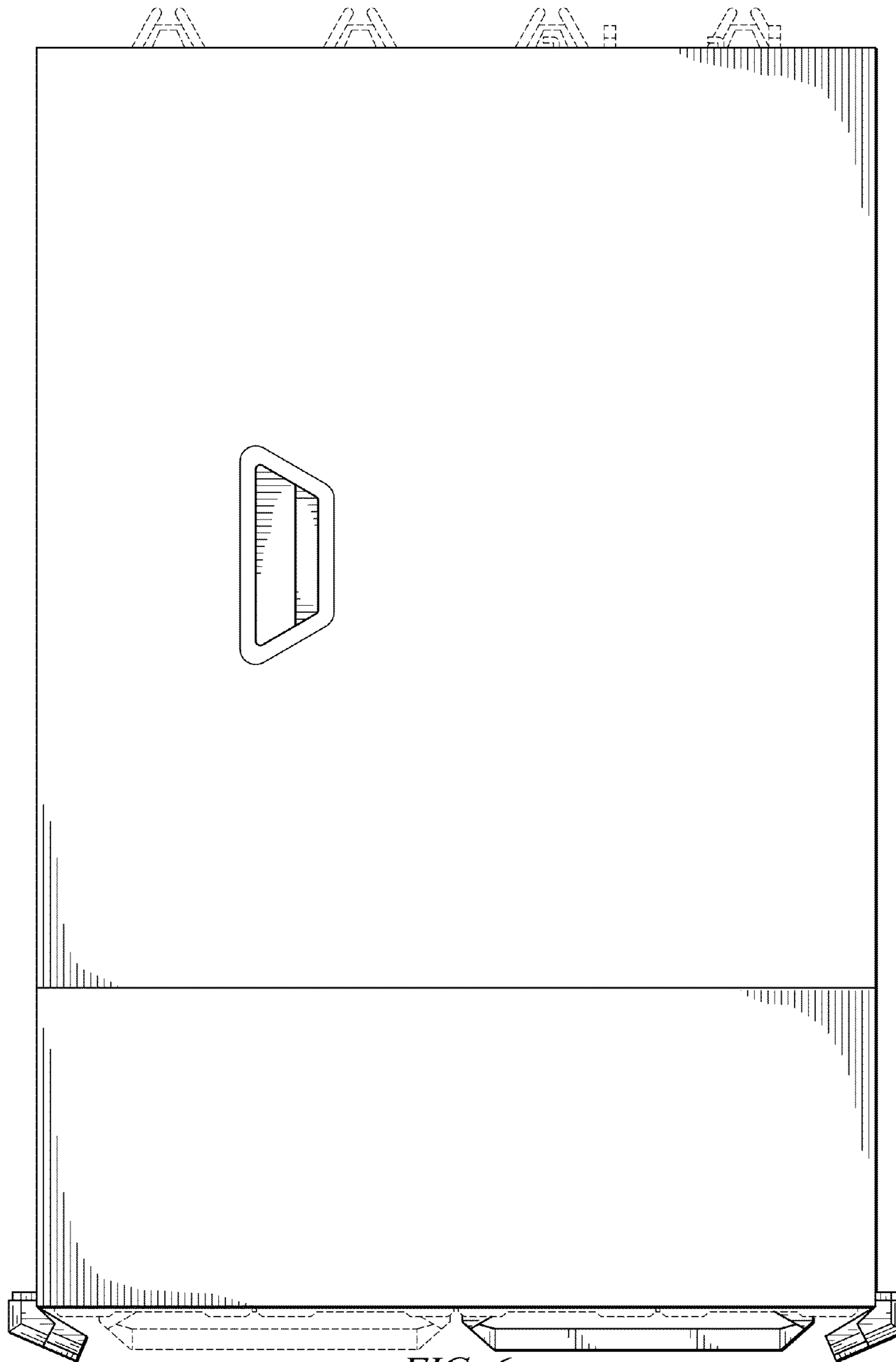


FIG. 6

