



US00D677252S

(12) **United States Design Patent**
Baum et al.

(10) **Patent No.:** **US D677,252 S**
(45) **Date of Patent:** **** Mar. 5, 2013**

(54) **FLEXIBLE GARMENT FOR SUPPORTING A SMALL PORTABLE ELECTRONIC DEVICE**

471,000 A 3/1892 Green 224/217
(Continued)

(76) Inventors: **Lawrence M. Baum**, Shaker Heights, OH (US); **Geoffrey S. Gardner**, Solon, OH (US)

OTHER PUBLICATIONS

5-page Printout From www.iskin.com Describing Product Called Iskin-Pulse Dated Sep. 9, 2010.
1-page Printout From <http://appadvice.com/appnn/2010/08> Also Describing Iskin-Pulse Product Dated Sep. 9, 2010.
Belkin Hand Band Ipod Carrying Case 2-Page Catalog Depiction Printed From www.belkin.com & From www.slashgear.com Sep. 9, 2009.

(**) Term: **14 Years**

(21) Appl. No.: **29/421,289**

(22) Filed: **Jun. 26, 2012**

Primary Examiner — Raphael Barkai
Assistant Examiner — Randall Gholson
(74) *Attorney, Agent, or Firm* — David A. Burge

Related U.S. Application Data

(63) Continuation-in-part of application No. 29/370,825, filed on Sep. 10, 2010, now Pat. No. Des. 667,172, which is a continuation-in-part of application No. 29/316,223, filed on Sep. 1, 2009, now Pat. No. Des. 649,718, application No. 29/421,289, which is a continuation-in-part of application No. 12/584,292, filed on Sep. 1, 2009.

(57) **CLAIM**

We claim the ornamental design for a flexible garment for supporting a small portable electronic device, as shown and described.

(51) **LOC (9) Cl.** **14-03**

(52) **U.S. Cl.** **D14/253**

(58) **Field of Classification Search** D29/120.1;
D7/393, 395, 401.2, 682, 692, 642-652, 664,
D7/688, 691, 693, 696, 381, 601, 602, 701,
D7/705, 708, 619.1, 622; D8/83, 101, 107,
D8/307; D22/118; 30/340-344, 147-149;
16/430, 431, 110.1; 294/29; D3/202, 327;
206/142, 143, 427, 428; 220/694, 752-755,
220/758; 402/4, 80; 281/43, 45-49, 462,
281/446, 447, 460, 464; 251/42-45; 248/451,
248/441.1, 448; D14/251-253

DESCRIPTION

FIG. 1 is a front view showing our new design that includes a transparent pocket portion for containing a small portable electronic device;
FIG. 2 is a left side view thereof;
FIG. 3 is a rear view thereof, with a strap portion thereof removed to indicate indefinite length;
FIG. 4 is a right side view thereof;
FIG. 5 is a top view thereof; and,
FIG. 6 is a bottom view thereof.
Portions broken away or not shown form no part of the claimed design. No appearance feature of any part of the garment located behind a transparent window shown in FIG. 1 is claimed.

See application file for complete search history.

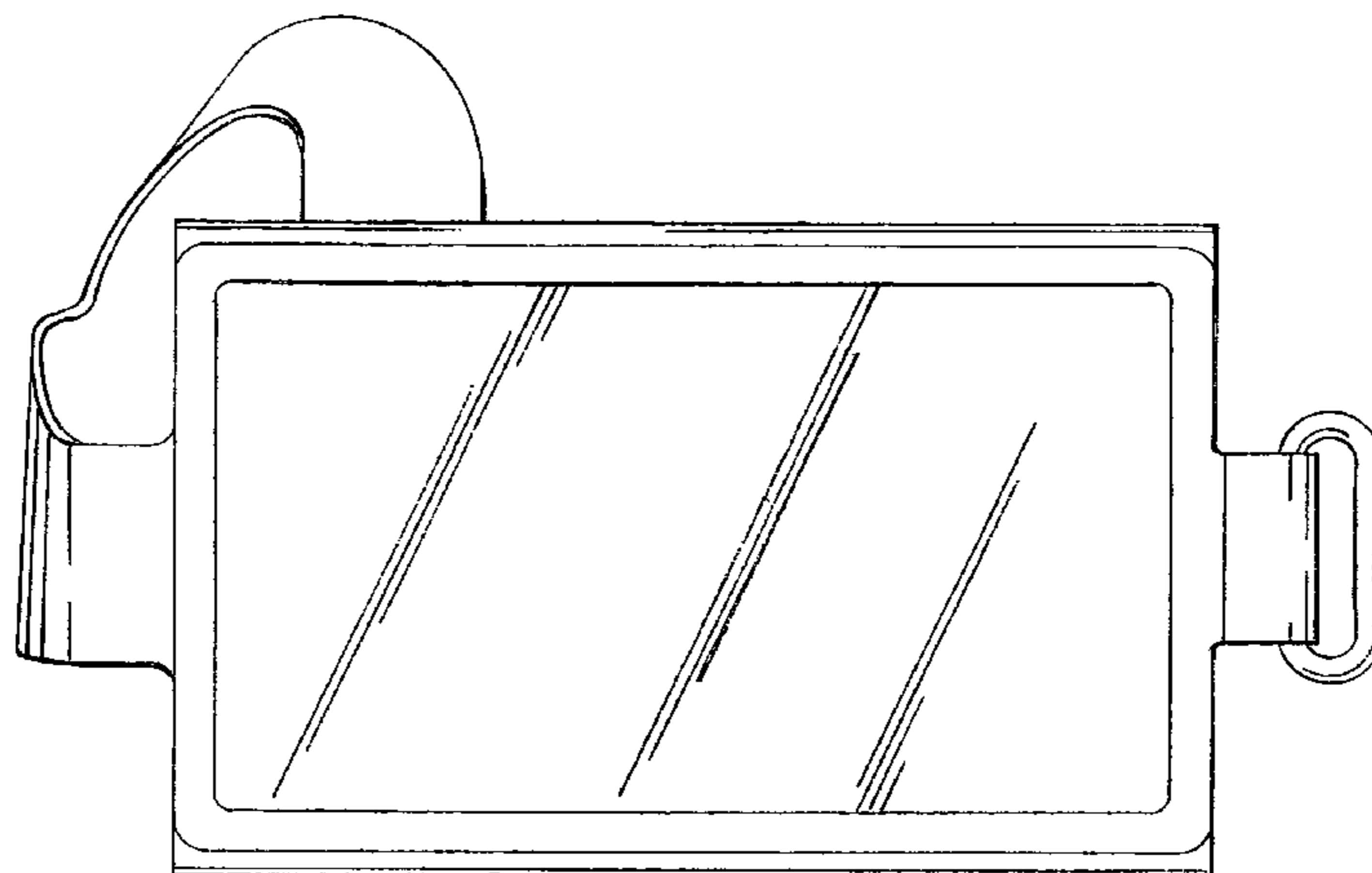
Because garments embodying features of the present invention are flexible, those skilled in the art will appreciate that configuration exhibited by the garment is likely to vary depending, at least in part, on how the garment is worn, positioned or supported.

(56) **References Cited**

U.S. PATENT DOCUMENTS

57,283 A 8/1866 Brown 30/123.5
275,780 A 4/1883 Mahap 224/217

1 Claim, 3 Drawing Sheets



US D677,252 S

Page 2

U.S. PATENT DOCUMENTS

552,171 A	12/1895	Farnham	473/36	5,577,273 A	11/1996	Newkirk	2/160
1,082,542 A	12/1913	Manson	223/101	5,638,767 A	6/1997	Bush	116/139
1,189,924 A	7/1916	Blieux	224/222	5,678,730 A	10/1997	Fabek et al.	222/78
1,199,635 A	9/1916	Urmston	224/218	5,850,954 A	12/1998	Dong-Joo	224/197
1,817,212 A	8/1931	Siebrandt	602/21	D406,455 S	3/1999	Wagner, II	D3/226
1,872,218 A	8/1932	Asplund	359/517	5,899,870 A	5/1999	Deirmendjian et al.	602/21
2,077,202 A	4/1937	Hovey	128/133	5,924,136 A	7/1999	Ogean	2/159
2,388,330 A	11/1945	Jungmann	2/16	5,943,701 A	8/1999	Seats	2/160
2,738,190 A	3/1956	Tureavo	273/54	5,971,240 A	10/1999	Dequaine	224/217
2,749,000 A	6/1956	McKittrick	224/218	6,000,058 A	12/1999	Iselin	2/160
3,123,832 A	3/1964	Kubik	2/161	6,142,966 A	11/2000	Hely	602/64
3,146,463 A	9/1964	Wargo	2/20	6,217,095 B1	4/2001	Yamada	294/149
3,369,258 A	2/1968	Smith	2/159	D447,623 S	9/2001	Troska	D3/215
3,421,160 A	1/1969	Domenico	2/158	6,325,772 B1	12/2001	Scheuermann et al.	602/22
3,496,573 A	2/1970	Kuchar et al.	2/161	6,360,684 B1	3/2002	Quaglia	116/222
3,533,407 A	10/1970	Smith	128/165	6,629,628 B1	10/2003	Canepari et al.	224/222
3,583,704 A	6/1971	Callanan	273/54	6,702,496 B1	3/2004	Park	401/131
3,598,408 A	8/1971	Klose	273/54	D490,239 S	5/2004	Wagner, II	D3/226
3,728,738 A	4/1973	Andolino	2/161	D490,974 S	6/2004	Wagner, II	D3/226
3,893,099 A	7/1975	Zoepfl	340/323	6,783,507 B1	8/2004	Fisher	602/22
D242,172 S	11/1976	Borenstein	D24/4	6,880,737 B2	4/2005	Bauer	224/246
4,062,540 A	12/1977	Calentine	273/54	D506,058 S	6/2005	Sexson	D3/218
D248,258 S	6/1978	Munari	D2/383	D512,834 S	12/2005	Wagner, II	D3/226
4,103,362 A	8/1978	Blakeman	2/161	D513,865 S	1/2006	Wagner, II	D3/226
4,135,653 A	1/1979	Sieloff	224/5	D514,772 S	2/2006	Bevier	D2/623
4,148,424 A	4/1979	Fortenberry	224/218	D515,805 S	2/2006	Jones	D3/215
D259,955 S	7/1981	Helferich	D24/4	D526,479 S	8/2006	Brandenburg	D3/218
4,326,706 A	4/1982	Guthrie et al.	272/119	D541,044 S	4/2007	Wagner, II	D3/226
4,414,692 A	11/1983	Dzierson et al.	2/160	7,243,824 B2	7/2007	Tabata	224/227
4,415,106 A	11/1983	Connell et al.	224/221	D554,365 S	11/2007	Zhou	D3/218
4,432,477 A	2/1984	Haidt et al.	224/222	D555,353 S	11/2007	Kennedy	D3/218
4,447,912 A	5/1984	Morrow	2/159	7,364,556 B2	4/2008	Weaver, II	602/5
4,463,879 A	8/1984	Des Voignes	222/175	D570,598 S	6/2008	Chan	D3/218
4,477,005 A	10/1984	Martinez	224/218	D576,791 S	9/2008	Wagner, II	D23/226
4,500,019 A	2/1985	Curley, Jr.	224/222	D576,792 S	9/2008	Wagner, II	D3/226
4,504,980 A	3/1985	Butcher	2/160	D580,599 S	11/2008	Marino	D29/113
4,519,097 A	5/1985	Chappell, Jr. et al.	2/16	7,469,809 B2	12/2008	Rodarte et al.	224/578
4,556,215 A	12/1985	Tarbox et al.	482/105	D584,822 S	1/2009	Weber	D24/190
4,575,075 A	3/1986	Tarbox et al.	482/105	D596,828 S	7/2009	Sofer et al.	D2/617
4,606,484 A	8/1986	Winter et al.	224/218	7,584,841 B2	9/2009	Chan et al.	206/45.23
D287,640 S	1/1987	Primiano	D24/6.4	7,616,097 B1	11/2009	Whang	340/321
4,638,511 A	1/1987	Haack	2/161	7,641,046 B2	1/2010	Tsang et al.	206/320
4,653,490 A	3/1987	Eisenberg	128/133	7,673,745 B2	3/2010	Sirichai et al.	206/45.23
4,658,441 A	4/1987	Smith	2/16	7,735,644 B2	6/2010	Sirichai et al.	206/320
D293,387 S	12/1987	Wagner, II	D2/630	D620,706 S	8/2010	Wagner, II	D3/226
4,746,043 A	5/1988	Booker	224/219	D622,058 S *	8/2010	Wagner, II	D3/226
D300,948 S	5/1989	Harris et al.	D24/64	7,780,047 B2	8/2010	Chen et al.	224/218
4,923,418 A	5/1990	Hoffman	441/57	D633,215 S	2/2011	Steele	D24/199
4,938,487 A	7/1990	Ponsart	473/60	7,959,351 B1	6/2011	Thorp	368/282
4,953,568 A	9/1990	Theisler	128/878	8,060,948 B2	11/2011	Pesic	2/151.5
5,003,637 A	4/1991	Lonon	2/160	D651,793 S *	1/2012	Willows et al.	D3/226
5,088,121 A	2/1992	Wallace	2/160	2002/0126217 A1	9/2002	Arakane et al.	348/375
5,160,314 A	11/1992	Peters	602/21	2003/0019894 A1	1/2003	Calanda	224/165
5,170,917 A	12/1992	Tourigny	224/221	2003/0066856 A1	4/2003	Lehtonen	224/675
5,222,643 A	6/1993	Platt	224/218	2006/0076381 A1	4/2006	Rodarte et al.	224/600
5,276,922 A	1/1994	Floyd	2/160	2007/0083979 A1	4/2007	Daniels	2/160
5,335,916 A	8/1994	Nee	273/346	2007/0235492 A1	10/2007	Sirichai et al.	224/930
5,413,553 A	5/1995	Downes	602/21	2008/0017678 A1	1/2008	Anderson et al.	224/221
D363,146 S	10/1995	Pando	D29/113	2008/0083631 A1	4/2008	Tsang et al.	206/320
5,511,702 A	4/1996	Yang	224/219	2008/0164174 A1	7/2008	Chan et al.	206/474
D371,675 S	7/1996	Carter	D3/215	2008/0194139 A1	8/2008	Chan	439/521
5,542,588 A	8/1996	Sison	224/218	2008/0302687 A1	12/2008	Sirichai et al.	206/320
D373,639 S	9/1996	McKie	D24/190	2011/0057002 A1	3/2011	Westra et al.	224/218
5,566,389 A	10/1996	Li	2/16				

* cited by examiner

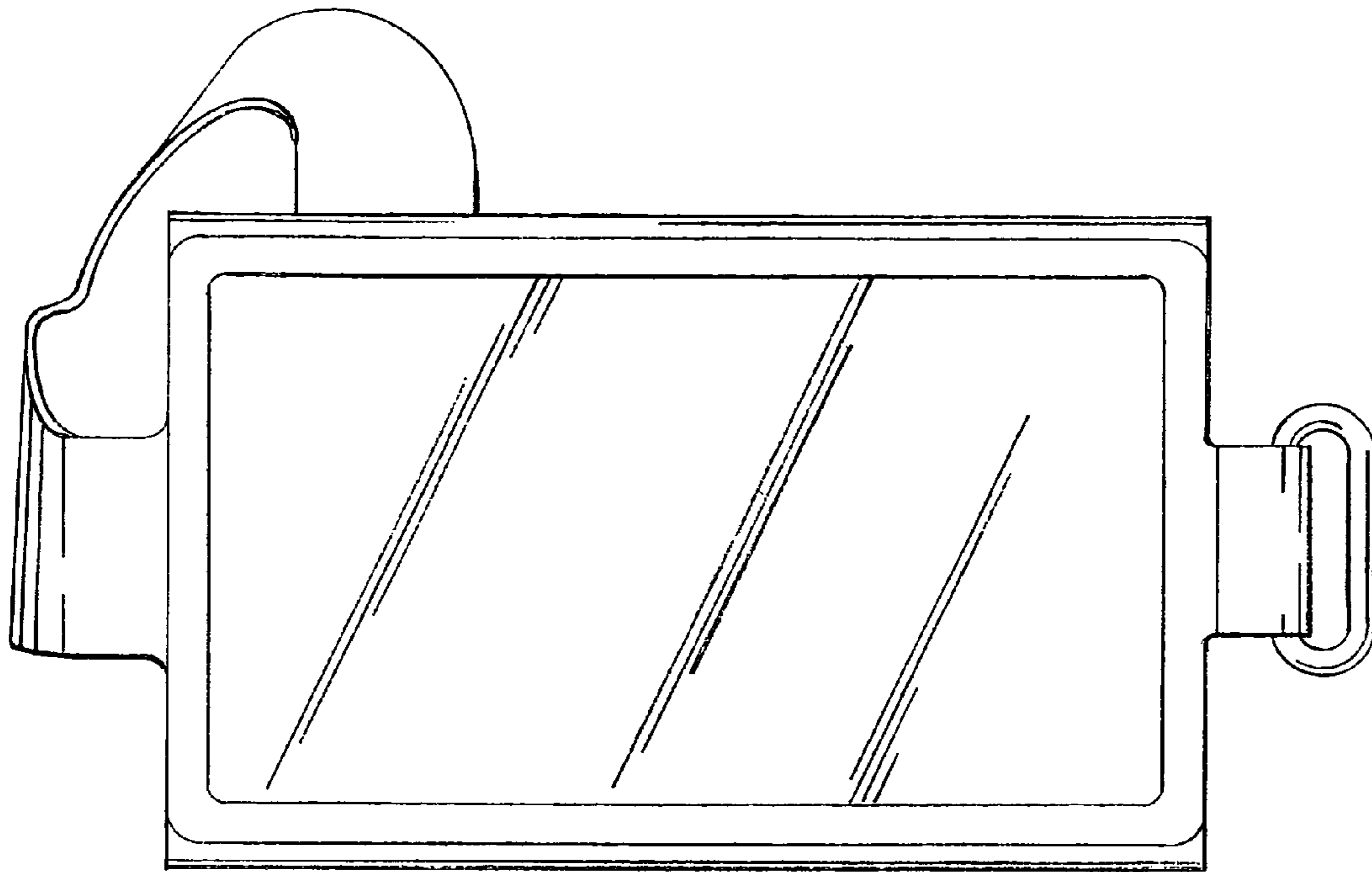


FIG. 1

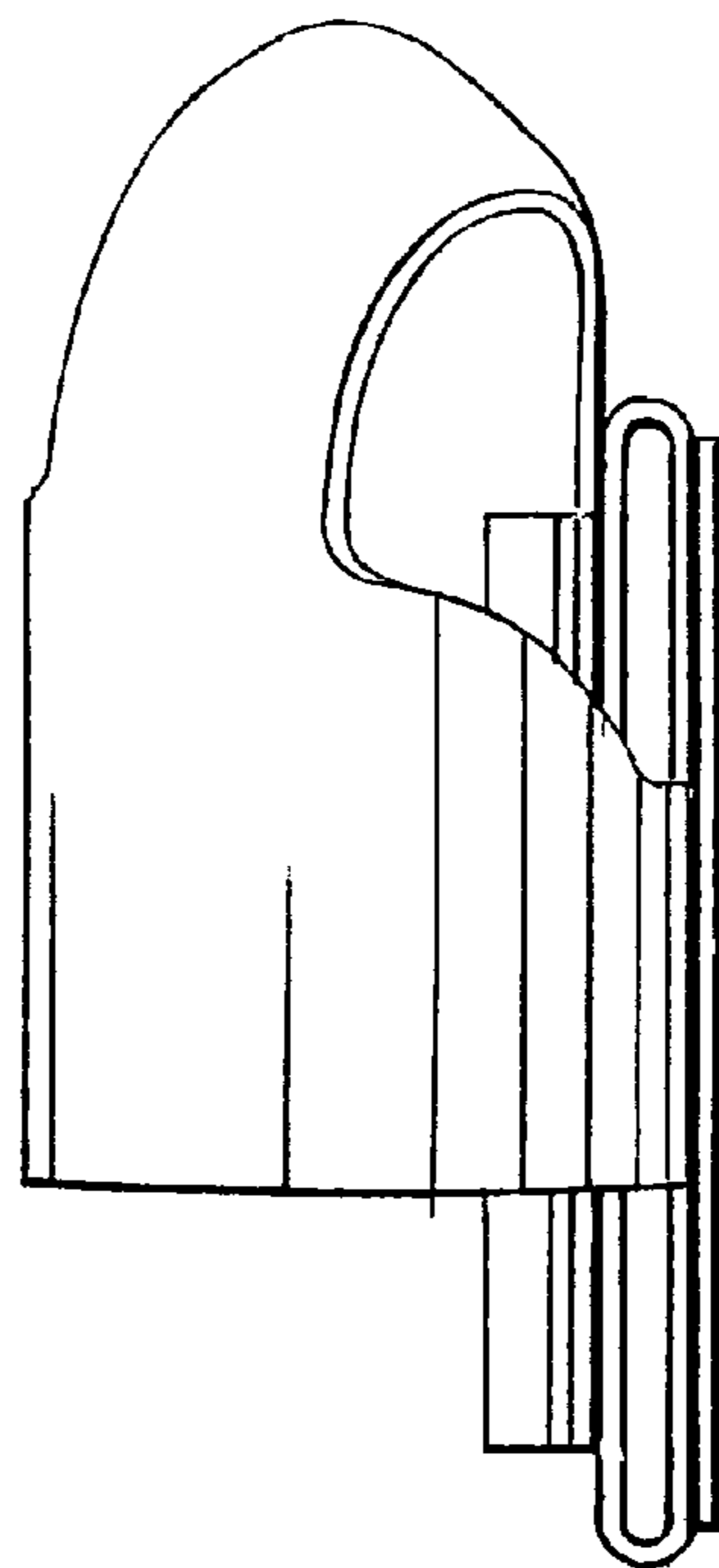


FIG. 2

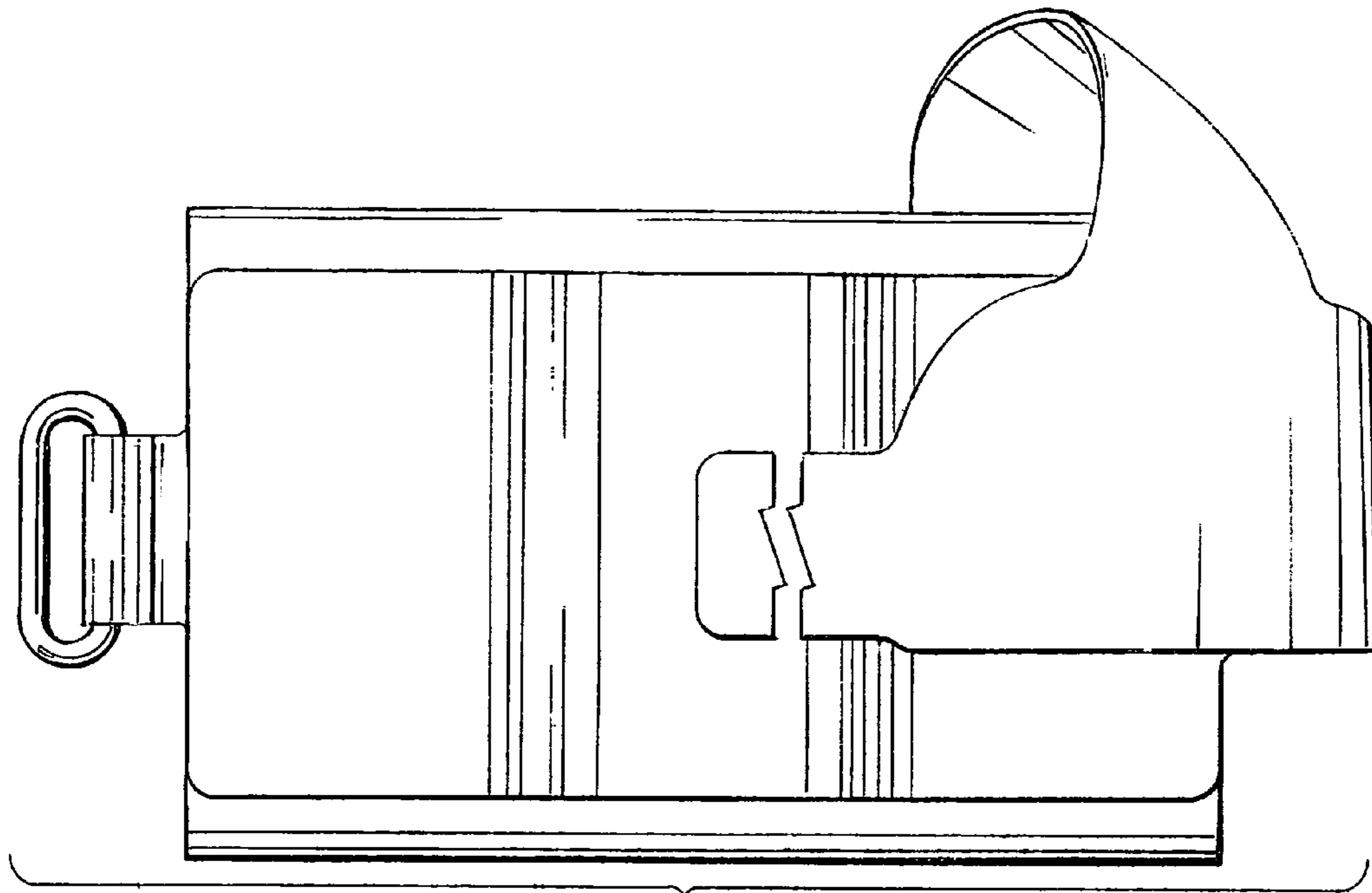


FIG. 3

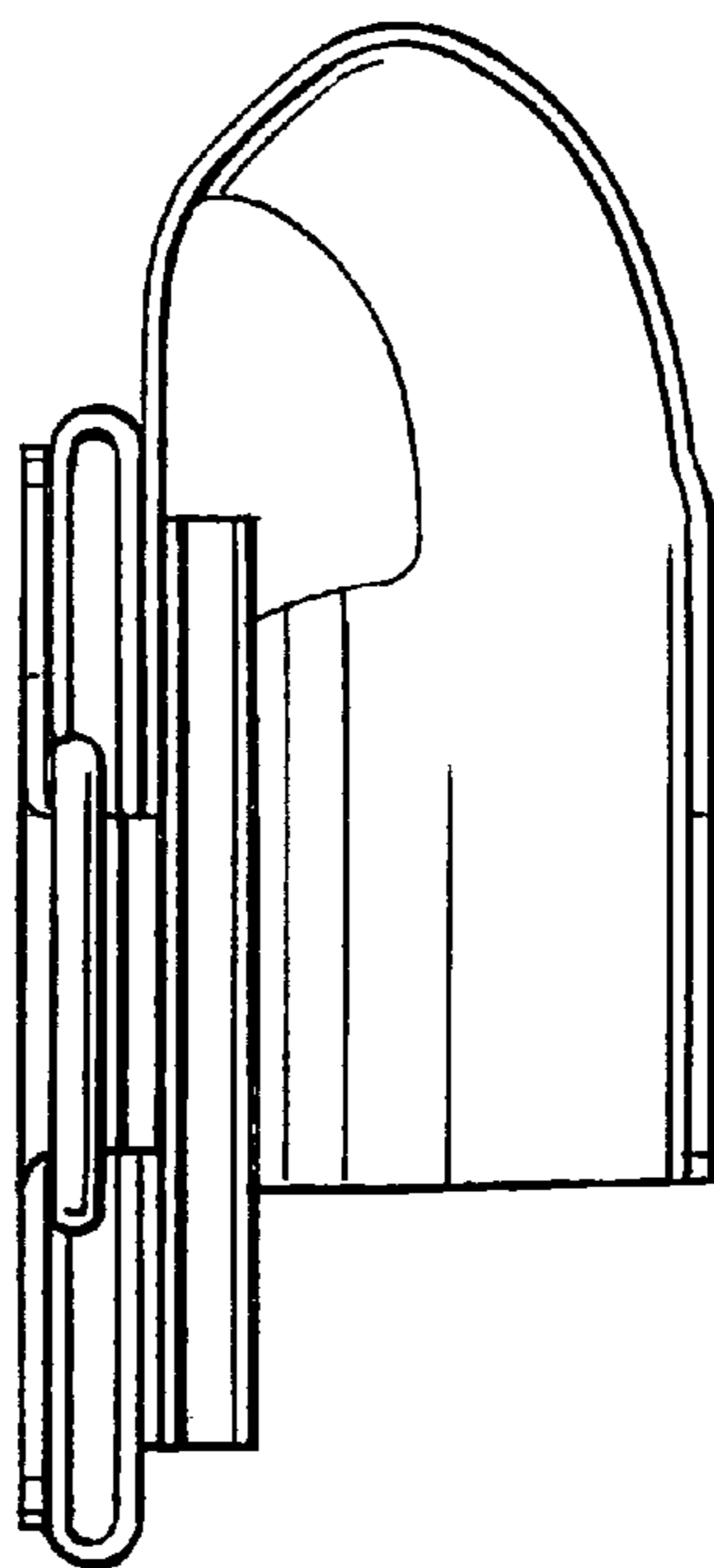


FIG. 4

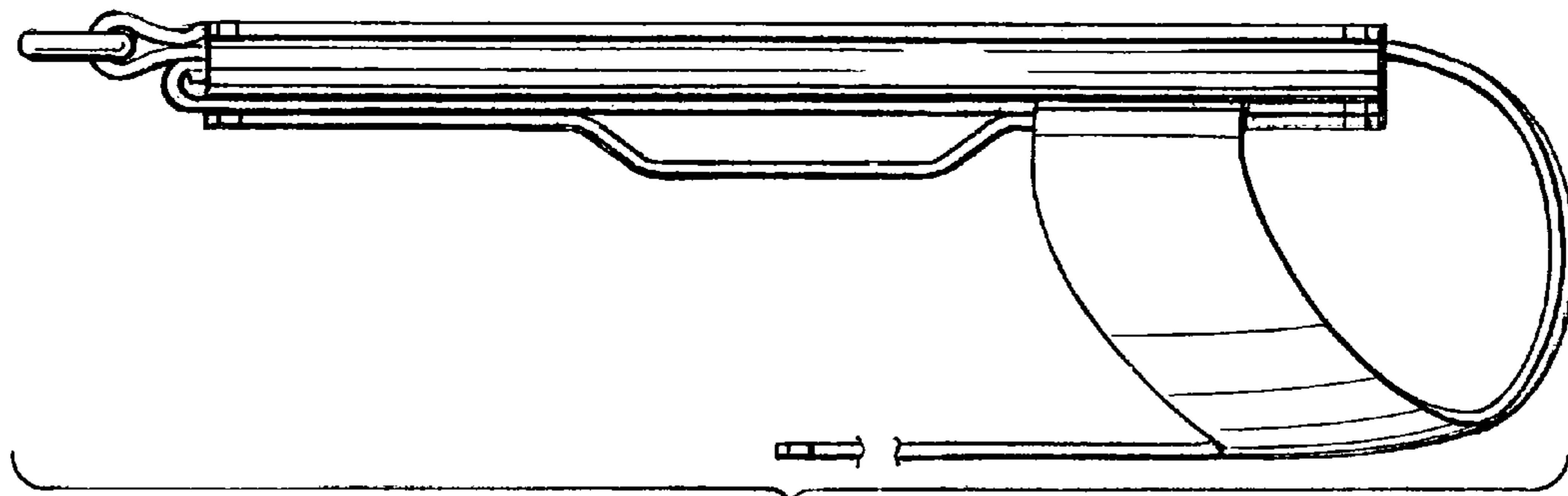


FIG. 5

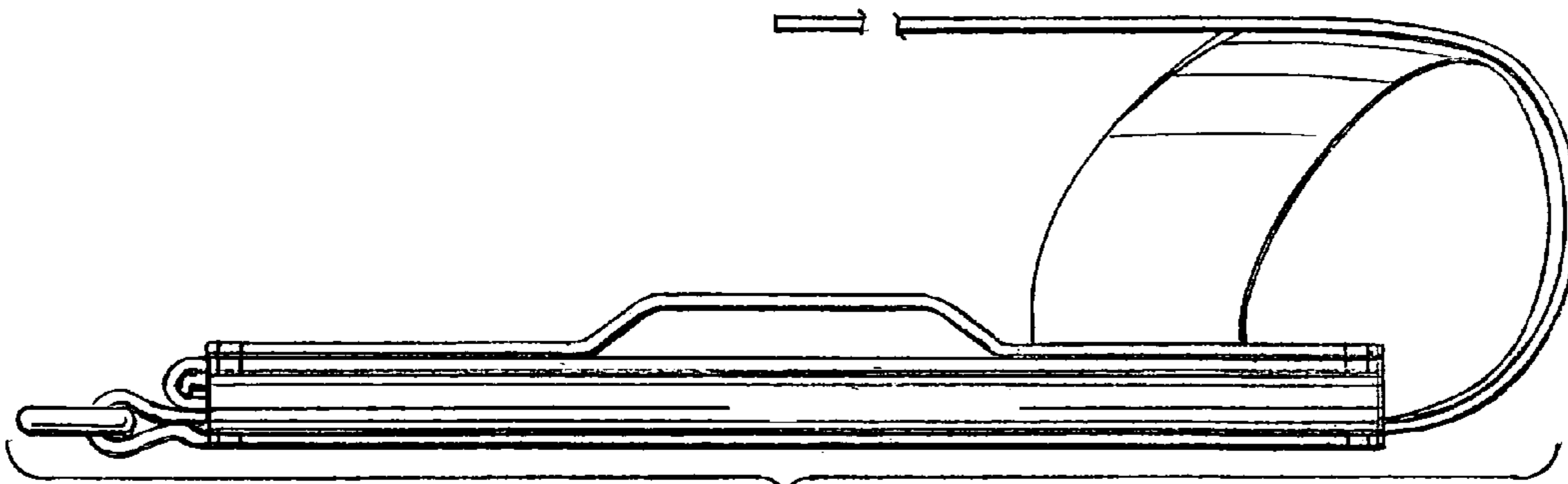


FIG. 6