



US00D677248S

(12) **United States Design Patent**  
**Yoon**

(10) **Patent No.:** **US D677,248 S**  
(45) **Date of Patent:** **\*\* Mar. 5, 2013**

(54) **EARPHONE RECEIVER**

(75) Inventor: **Sang Hoon Yoon**, Yongin-si (KR)

(73) Assignee: **LG Electronics Inc.**, Seoul (KR)

(\*\*) Term: **14 Years**

(21) Appl. No.: **29/412,692**

(22) Filed: **Feb. 7, 2012**

(30) **Foreign Application Priority Data**

Aug. 19, 2011 (KR) ..... 30-2011-0034737

(51) **LOC (9) Cl.** ..... **14-01**

(52) **U.S. Cl.** ..... **D14/223**

(58) **Field of Classification Search** ..... D14/205,  
D14/206, 223; 181/129, 130, 135; 379/430,  
379/431; 381/380, 381; D24/174; 128/864,  
128/865; 455/90.3, 575.1

See application file for complete search history.

(56) **References Cited**

**U.S. PATENT DOCUMENTS**

2,145,449 A \* 1/1939 Lockhart ..... 381/151  
D514,420 S \* 2/2006 Xu ..... D8/107  
D567,217 S \* 4/2008 Kamo et al. .... D14/205

D572,703 S \* 7/2008 Ledbetter et al. .... D14/205  
D587,681 S \* 3/2009 Yanai ..... D14/205  
D595,268 S \* 6/2009 Kolton ..... D14/223  
D614,168 S \* 4/2010 Rogers et al. .... D14/206  
D621,388 S \* 8/2010 Koss et al. .... D14/223  
D627,338 S \* 11/2010 Koss et al. .... D14/223  
D629,395 S \* 12/2010 Lee et al. .... D14/223  
D633,482 S \* 3/2011 Koss et al. .... D14/223  
D667,818 S \* 9/2012 Sogabe et al. .... D14/223  
8,265,322 B2 \* 9/2012 Uchida et al. .... 381/370

\* cited by examiner

*Primary Examiner* — Paula Greene

(74) *Attorney, Agent, or Firm* — Morgan, Lewis & Bockius LLP

(57) **CLAIM**

I claim the ornamental design for an earphone receiver, as shown and described.

**DESCRIPTION**

FIG. 1 is a perspective view of an earphone receiver showing my new design;

FIG. 2 is a front elevation view thereof;

FIG. 3 is a rear elevation view thereof;

FIG. 4 is a left-side elevation view thereof;

FIG. 5 is a right-side elevation view thereof;

FIG. 6 is a top plan view thereof; and,

FIG. 7 is a bottom plan view thereof.

**1 Claim, 4 Drawing Sheets**

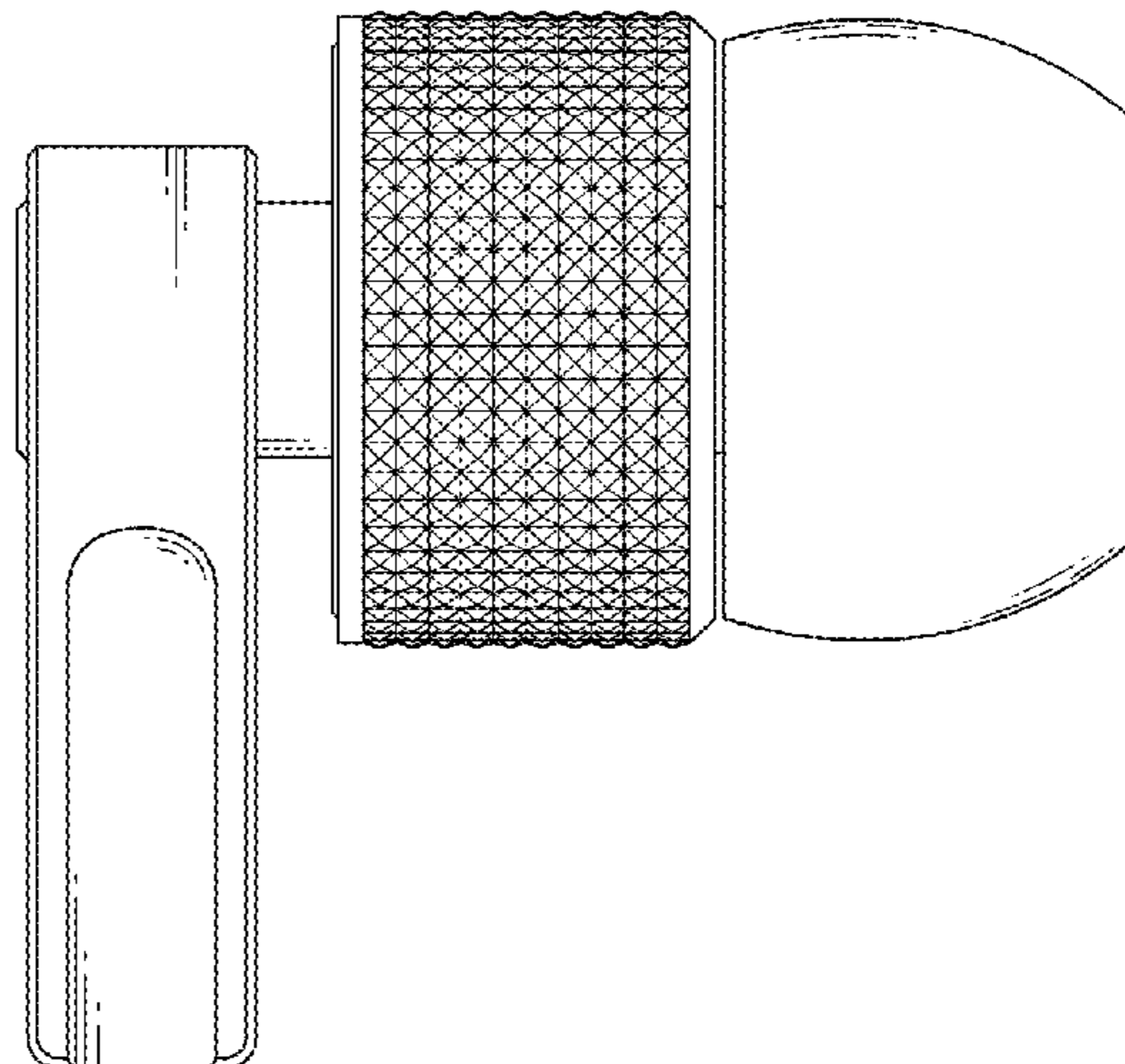
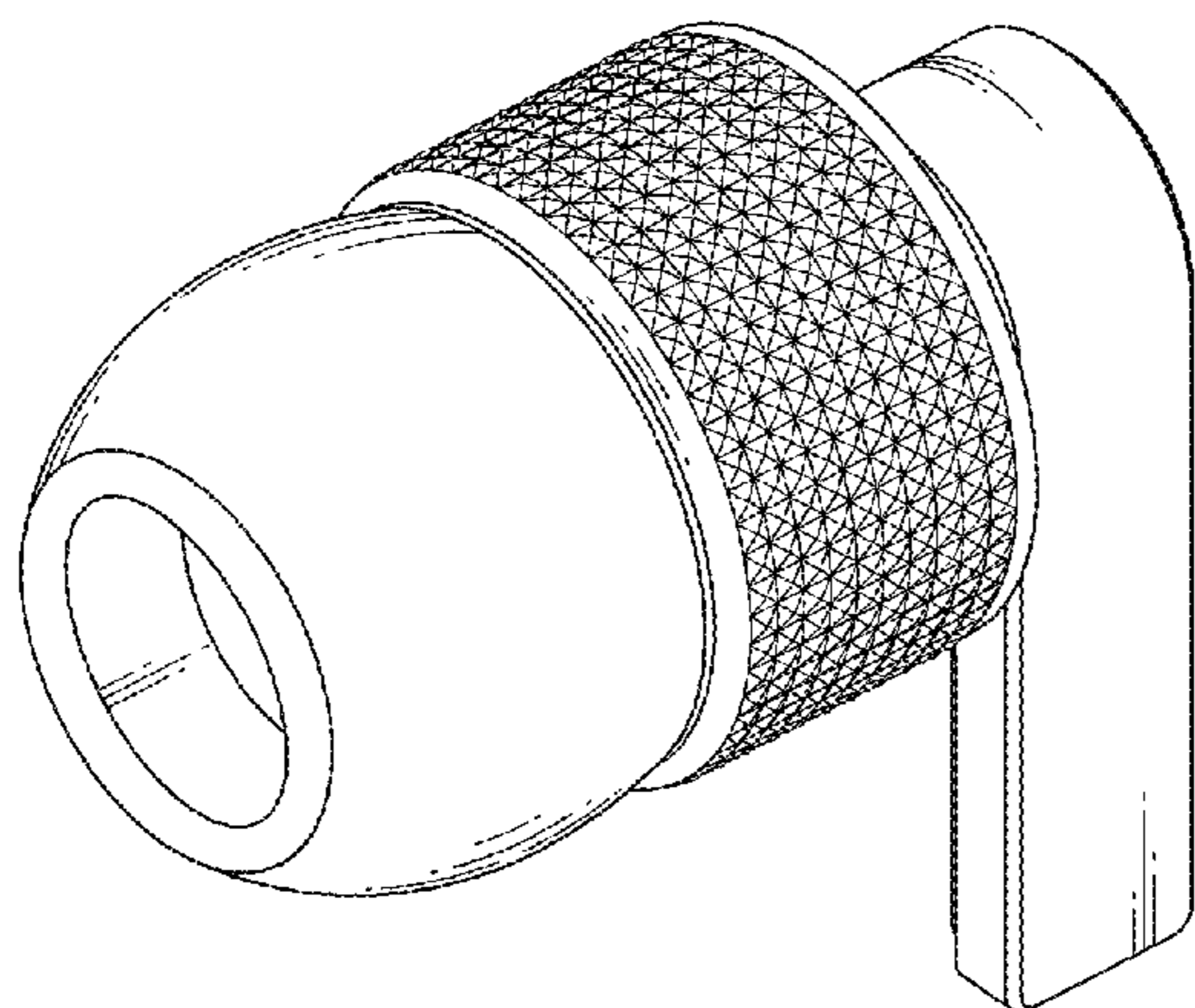


FIG. 1

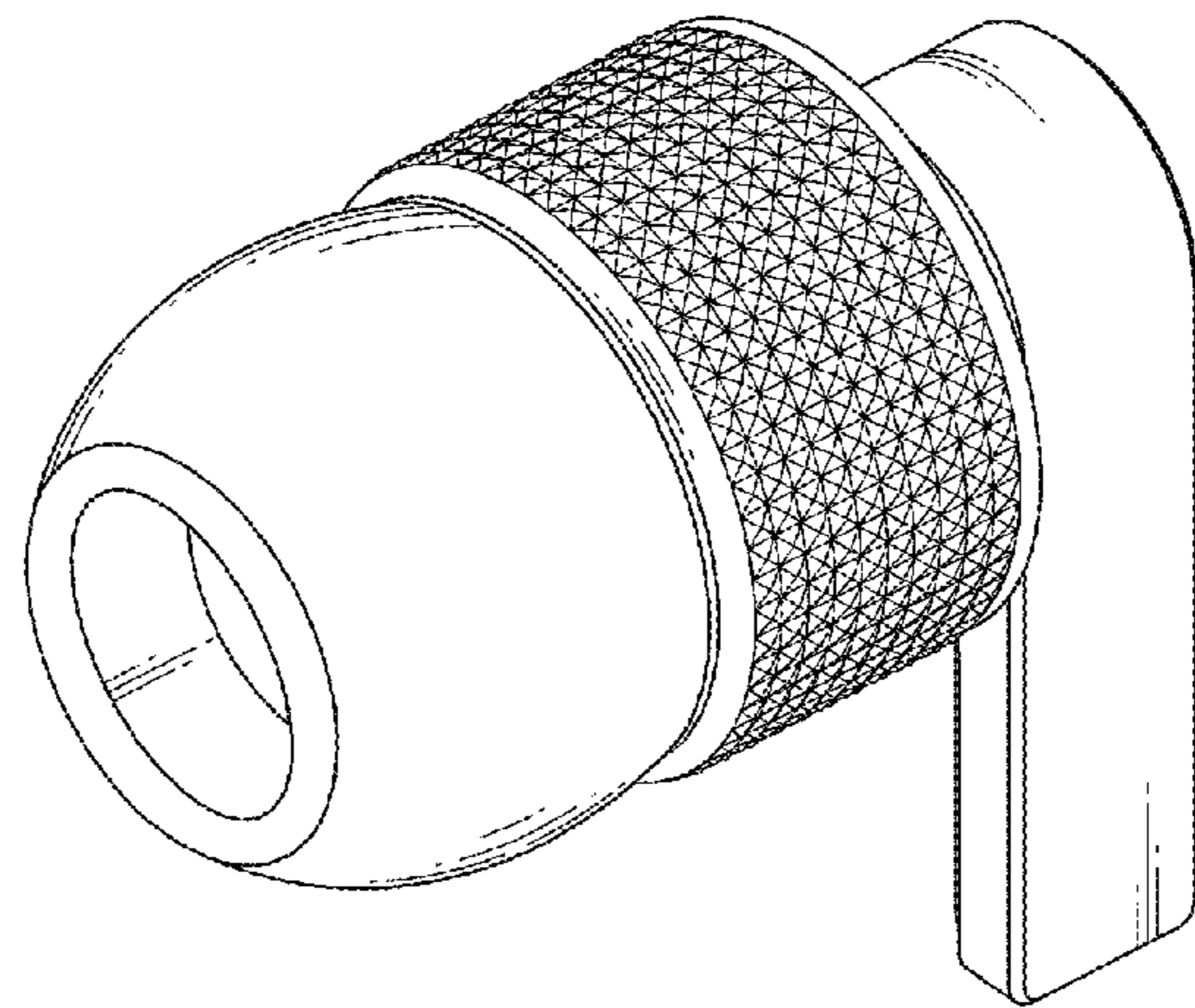


FIG. 2

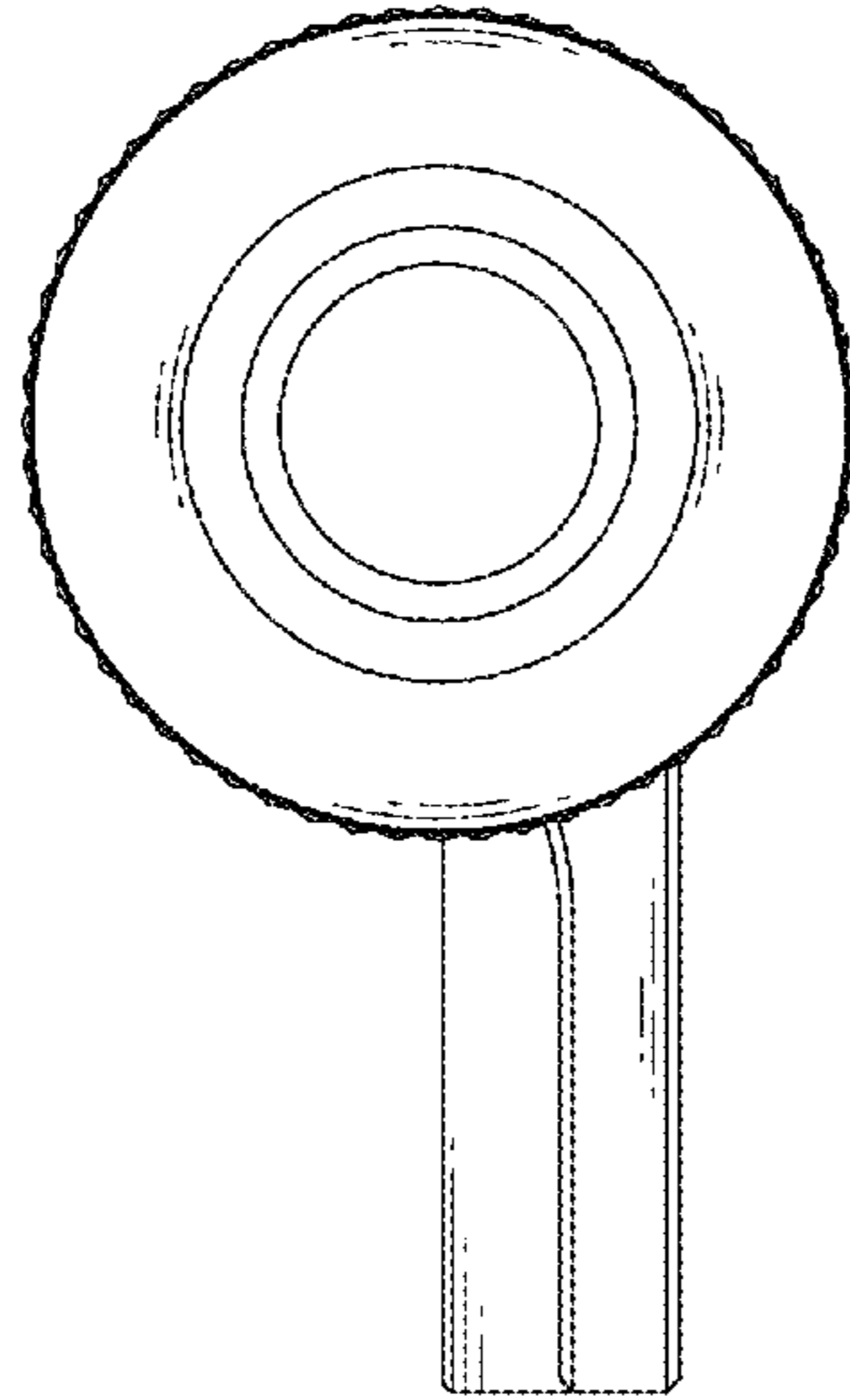


FIG. 3

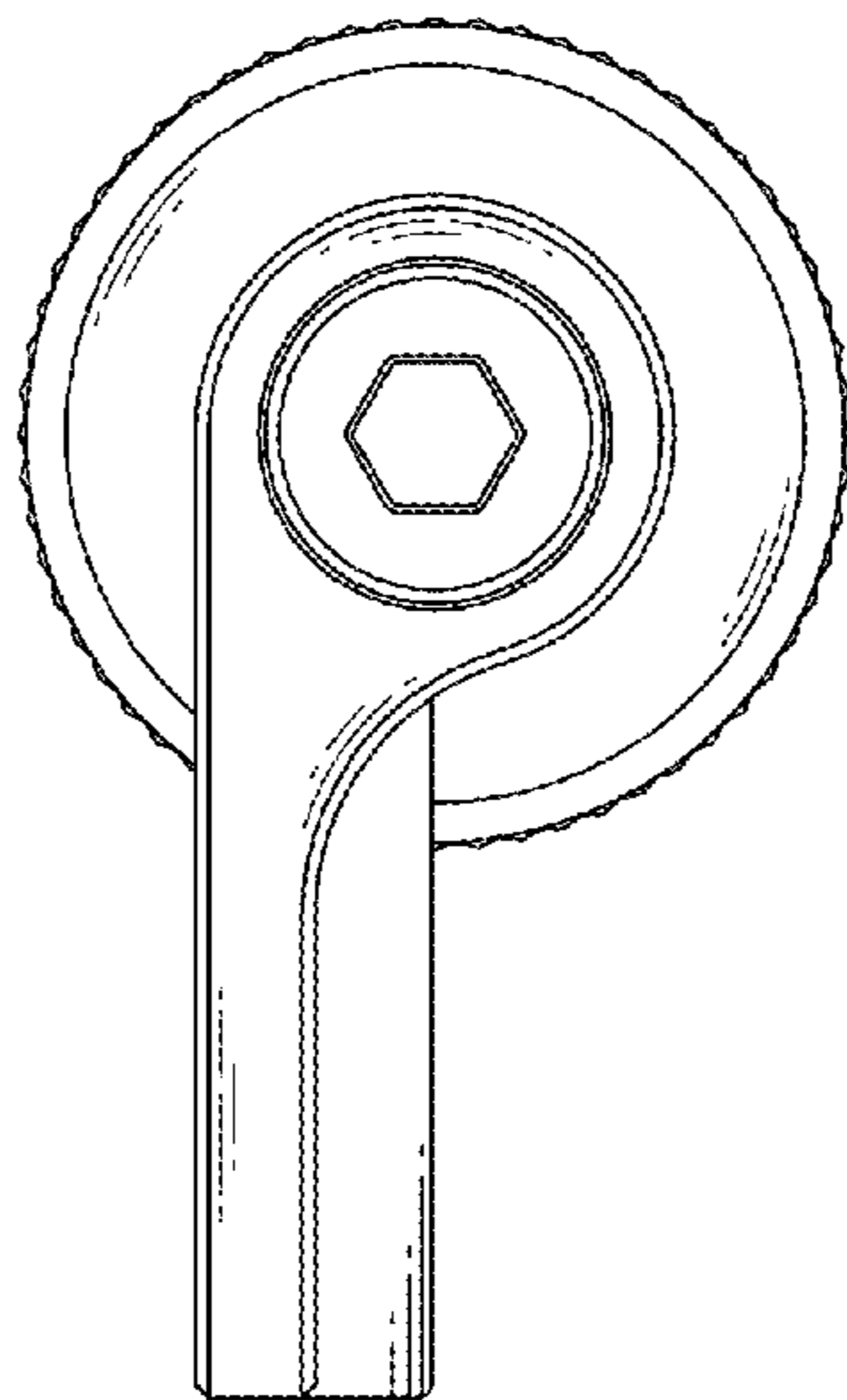


FIG. 4

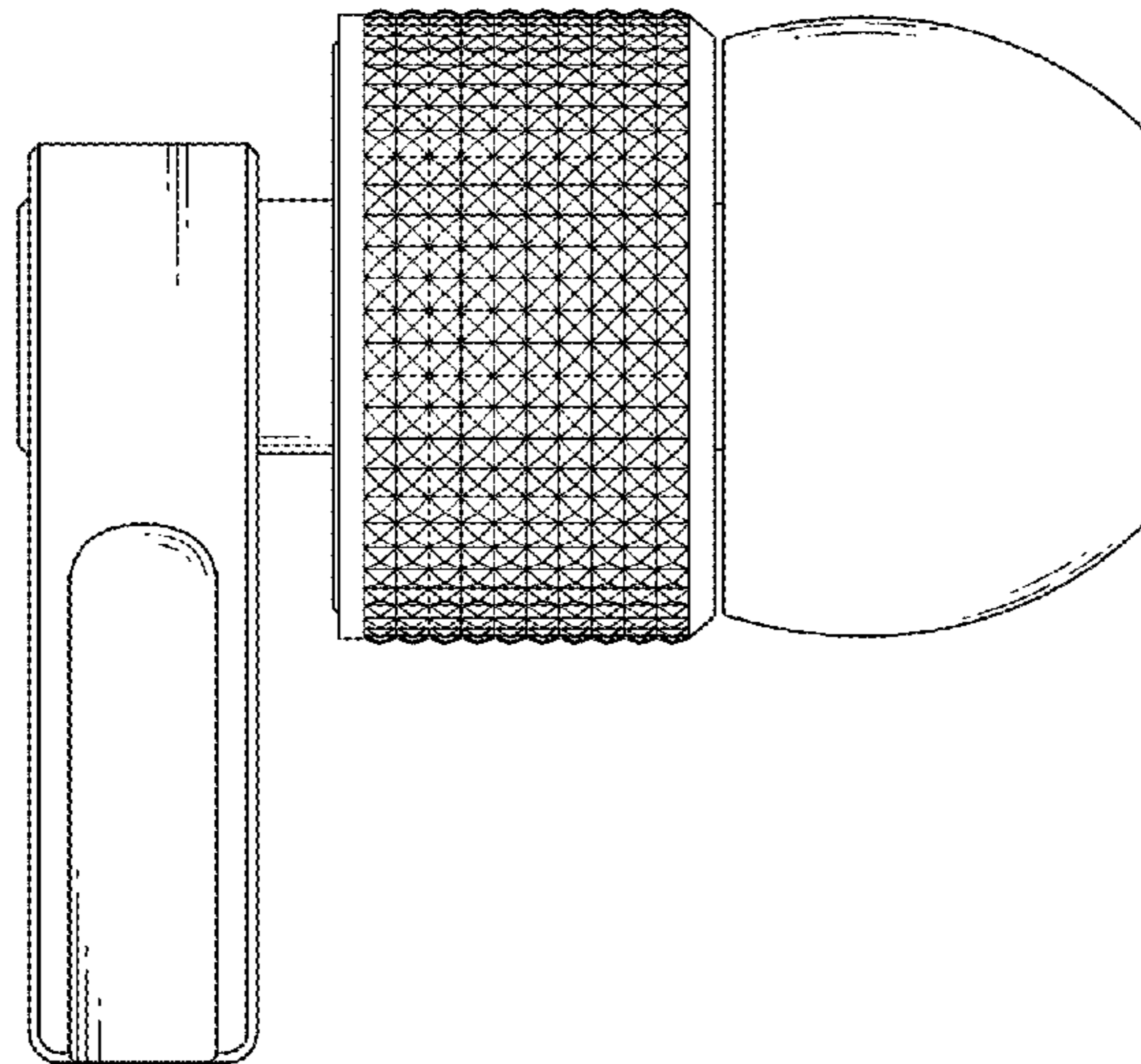


FIG. 5

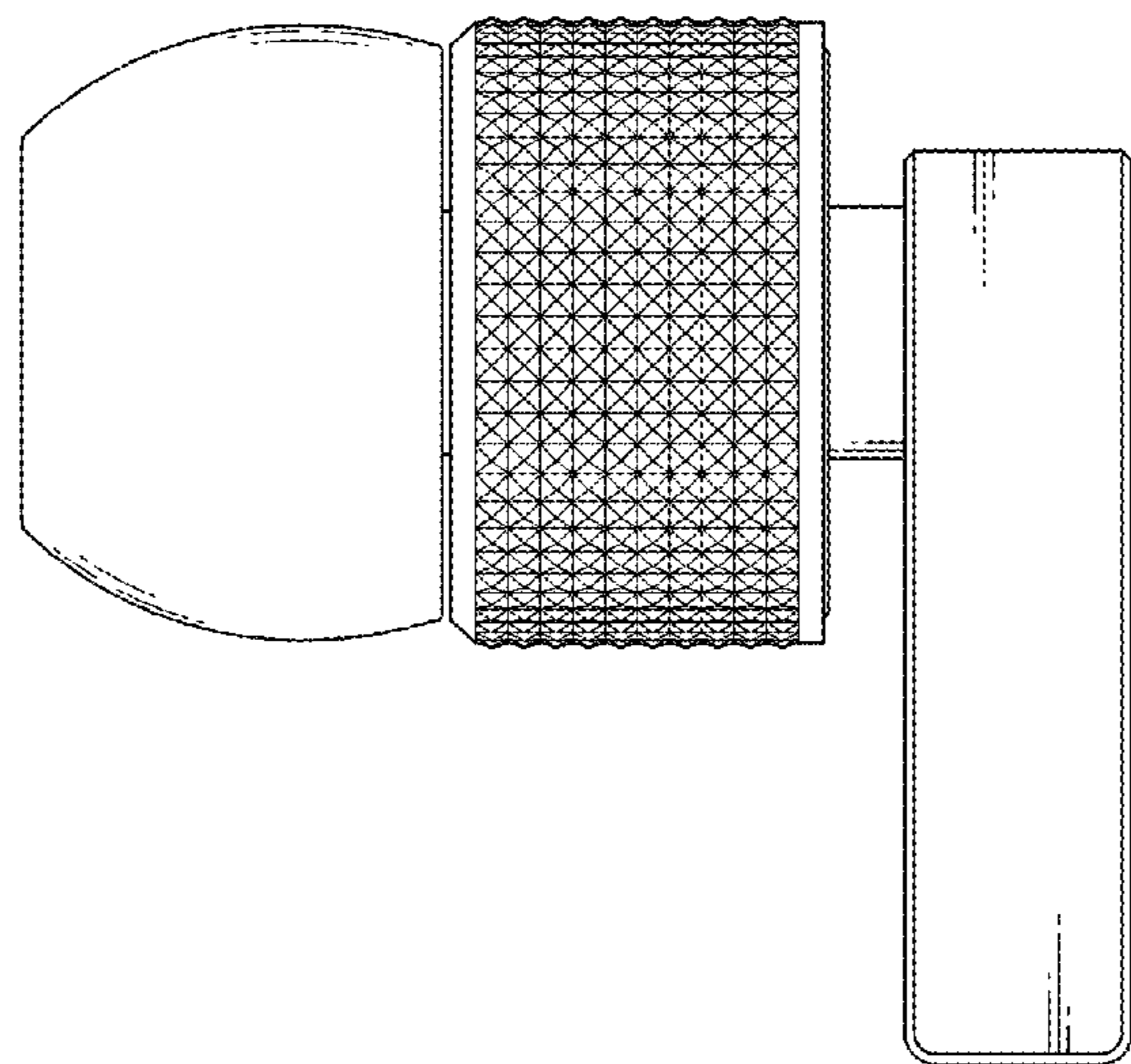


FIG. 6

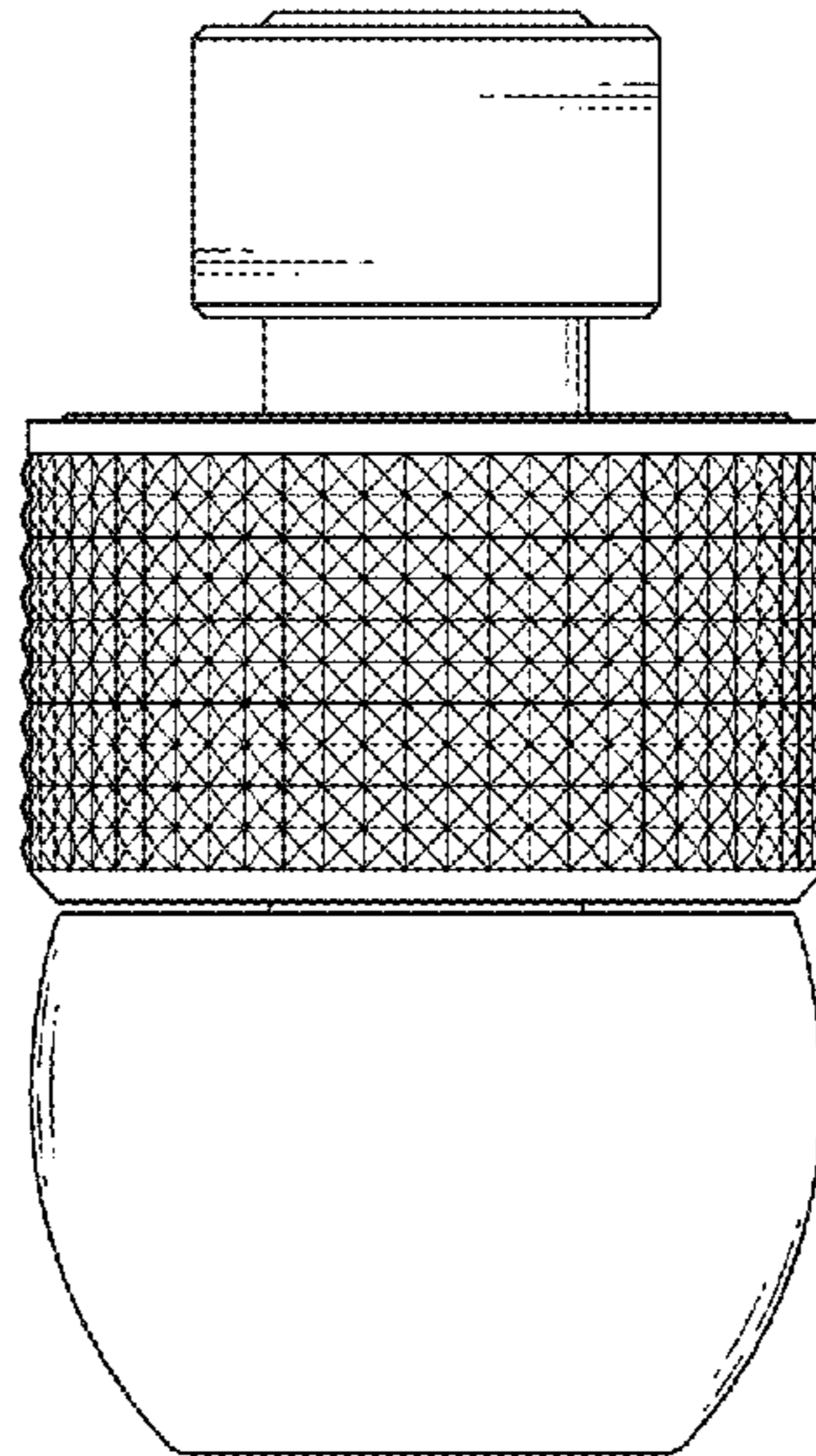


FIG. 7

