



US00D677244S

(12) **United States Design Patent**
Funayama

(10) **Patent No.:** **US D677,244 S**
(45) **Date of Patent:** **** Mar. 5, 2013**

(54) **SPEAKER BOX WITH AMPLIFIER**

(75) Inventor: **Tatsufumi Funayama**, Kawasaki (JP)

(73) Assignee: **Pioneer Corporation**, Kawasaki-shi,
Kanagawa (JP)

(**) Term: **14 Years**

(21) Appl. No.: **29/400,268**

(22) Filed: **Aug. 25, 2011**

(30) **Foreign Application Priority Data**

Mar. 31, 2011 (JP) D2011-007418

(51) **LOC (9) Cl.** **14-01**

(52) **U.S. Cl.** **D14/209.1**

(58) **Field of Classification Search** D14/204,
D14/204.1, 210–216, 172; 181/143, 144,
181/147, 148, 150–153, 157, 198, 199;
381/300–306, 332, 333, 336, 345, 361–364
See application file for complete search history.

(56) **References Cited**

U.S. PATENT DOCUMENTS

5,546,468 A * 8/1996 Beard 381/86
D472,542 S * 4/2003 Oikawa D14/172
6,968,068 B1 * 11/2005 Amsel 381/334
7,689,197 B2 * 3/2010 Laude et al. 455/344
D618,214 S * 6/2010 Wang et al. D14/209.1
D620,921 S * 8/2010 Skurdal D14/209.1

D632,670 S * 2/2011 Chow D14/209.1
D636,378 S * 4/2011 Ohashi et al. D14/209.1
D642,156 S * 7/2011 Joseph D14/209.1
D645,156 S * 9/2011 Reitze D24/227
D645,446 S * 9/2011 Cheng et al. D14/209.1
8,180,095 B2 * 5/2012 Zhang 381/387

* cited by examiner

Primary Examiner — Prabhakar Deshmukh

(74) *Attorney, Agent, or Firm* — Drinker Biddle & Reath
LLP

(57) **CLAIM**

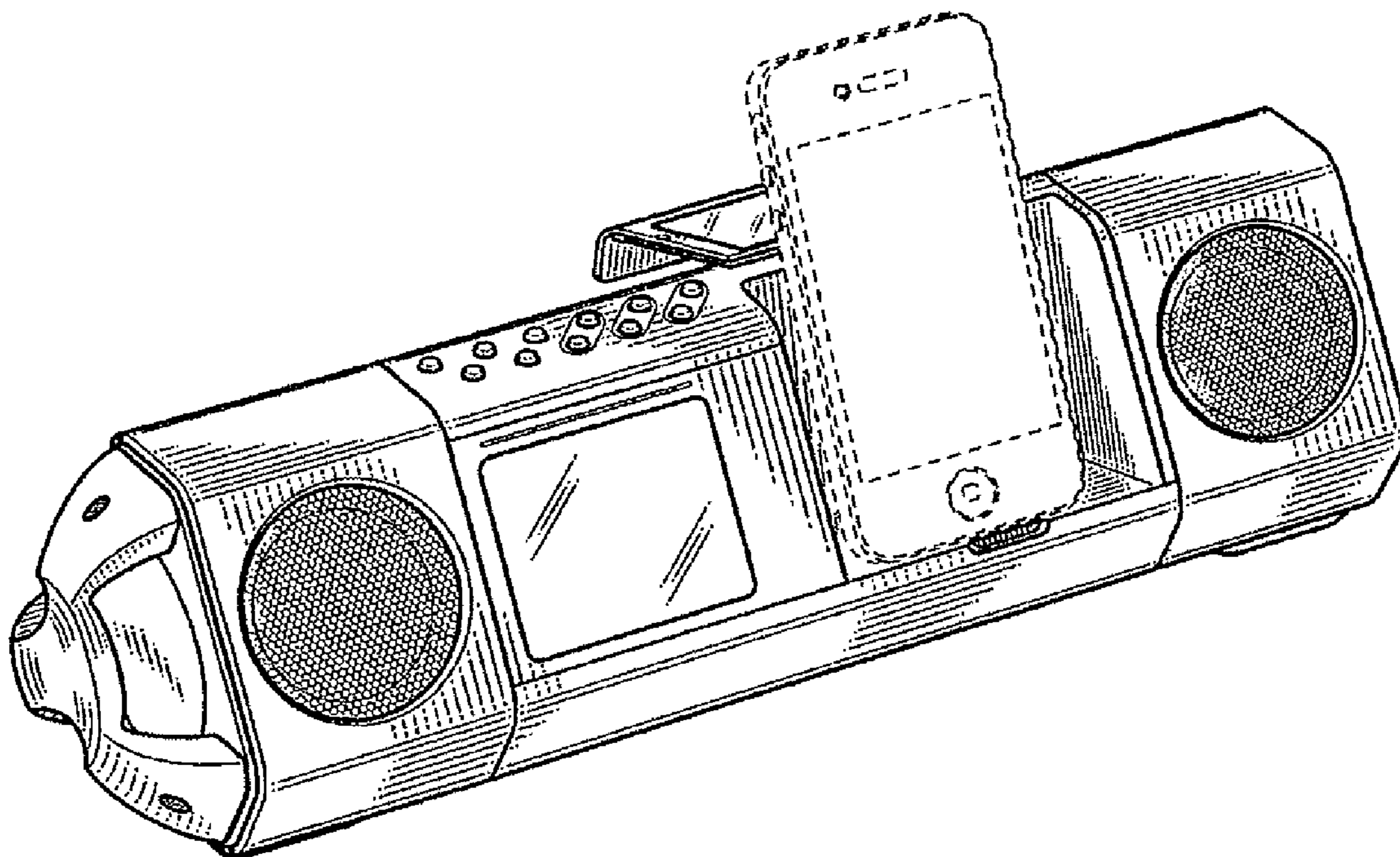
The ornamental design for a speaker box with amplifier, as shown and described.

DESCRIPTION

FIG. 1 is a perspective view of the front, top and left side of a speaker box with amplifier showing my new design; FIG. 2 is a front view of thereof; FIG. 3 is a rear view thereof; FIG. 4 is a left side view thereof; FIG. 5 is a right side view thereof; FIG. 6 is a top plan view thereof; FIG. 7 is a bottom view thereof; and, FIG. 8 is a perspective view in usage.

The portions shown in broken lines are for illustrative purposes only and form no part of the claimed design.

1 Claim, 4 Drawing Sheets



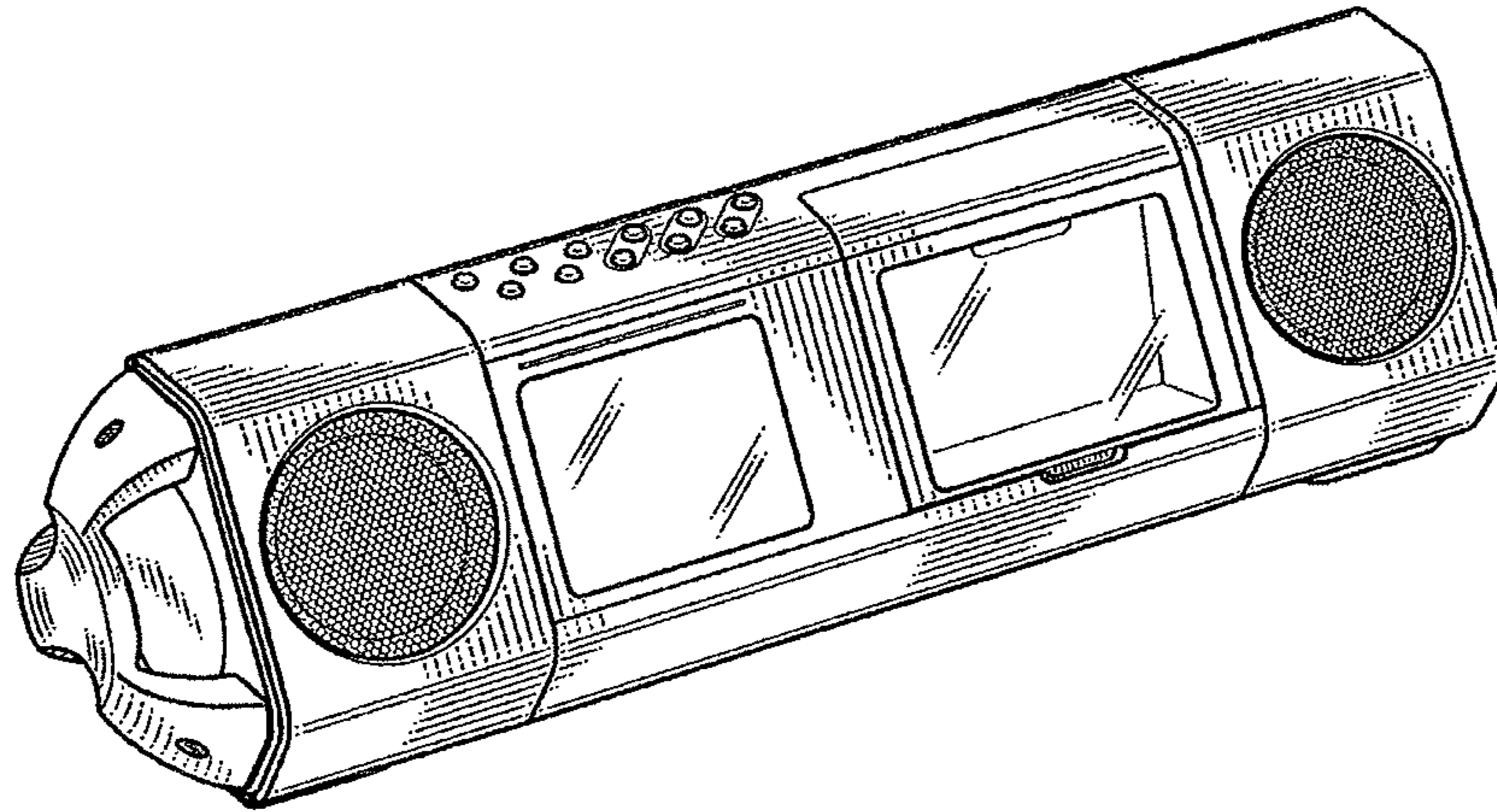


FIG. 1

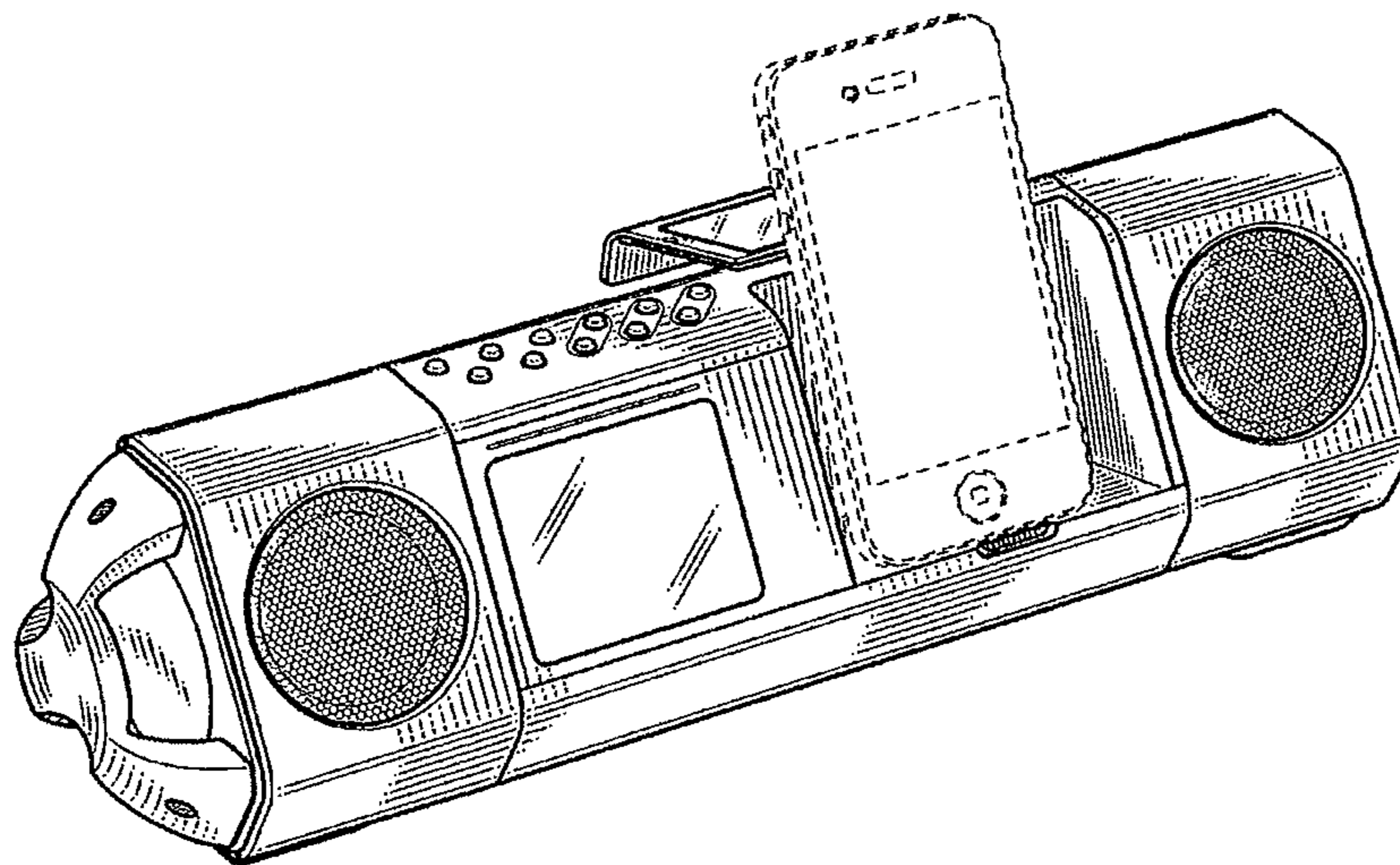


FIG. 8

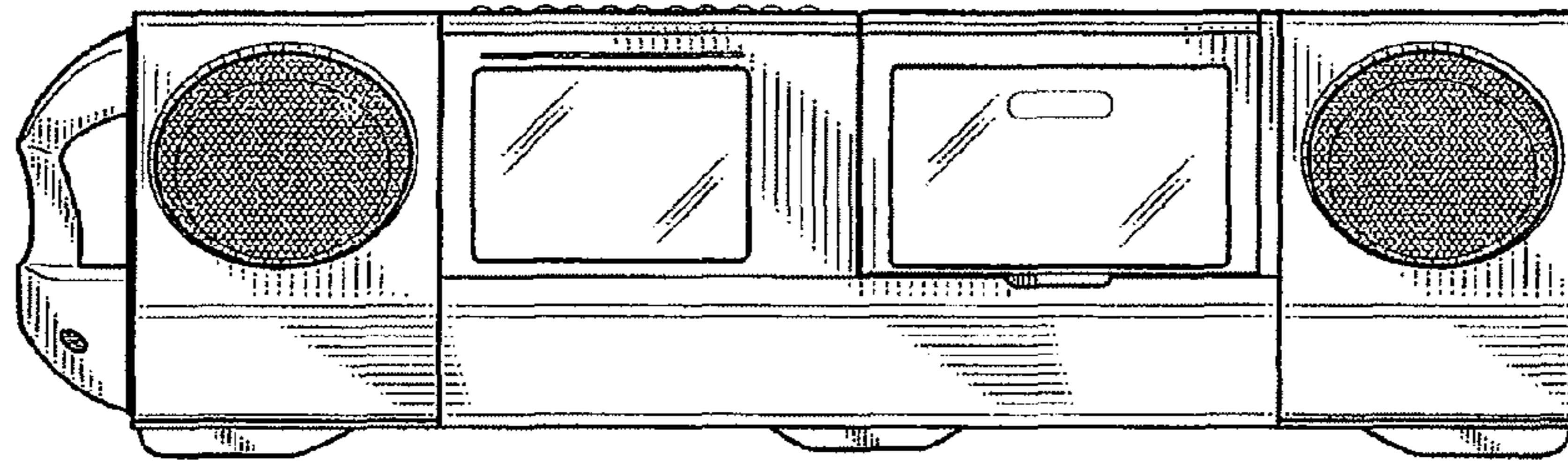


FIG. 2

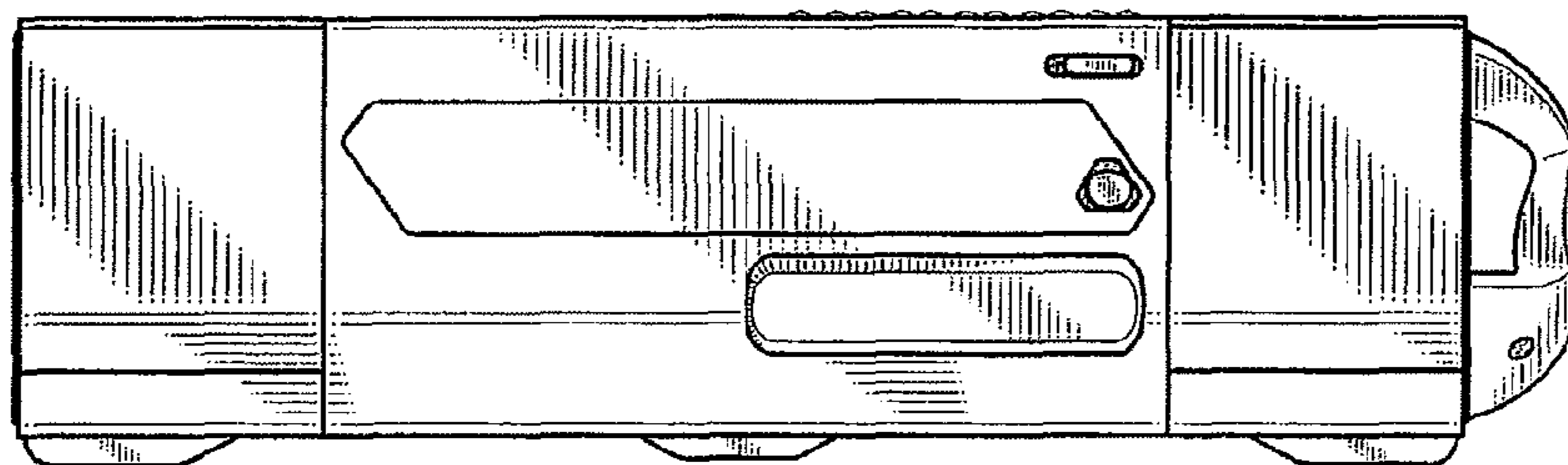


FIG. 3

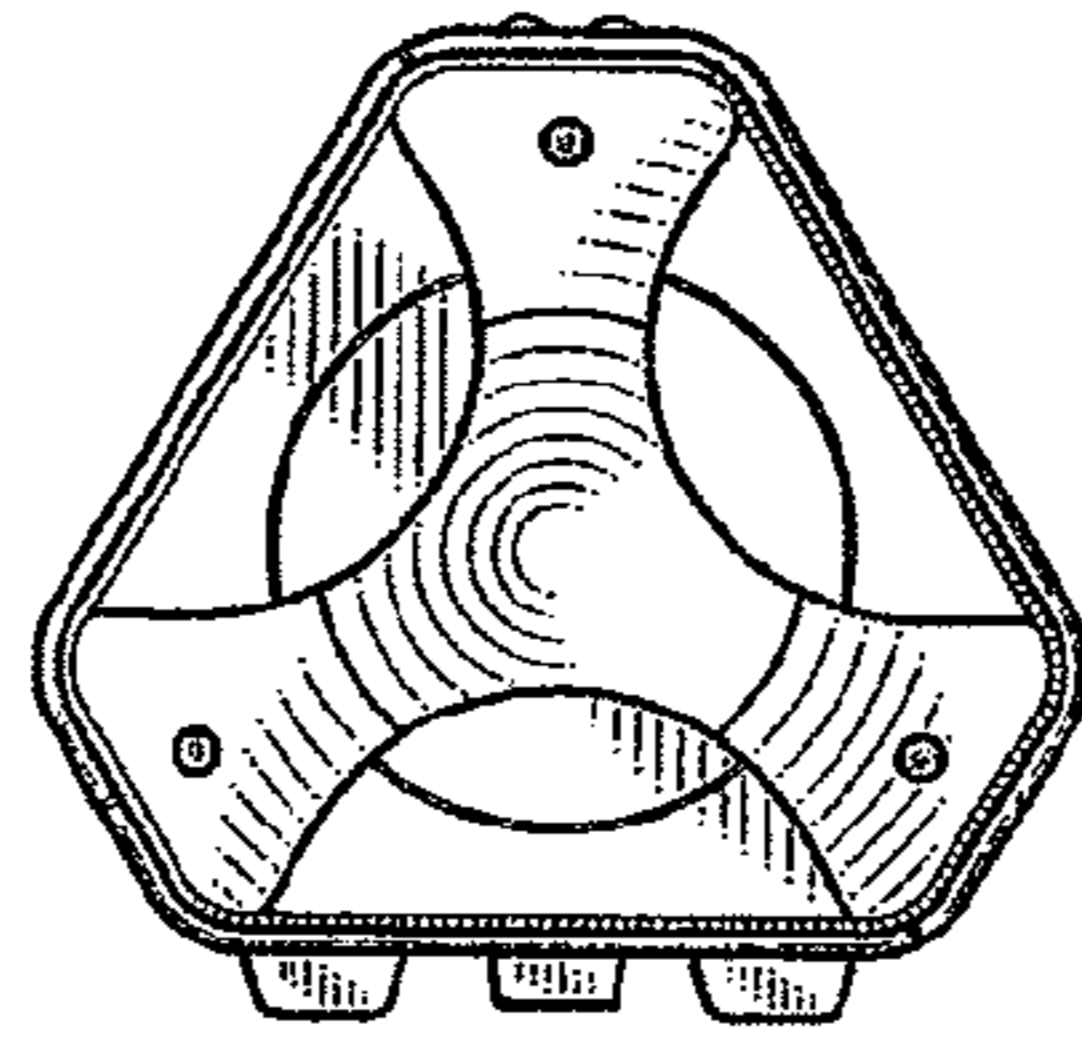


FIG. 4

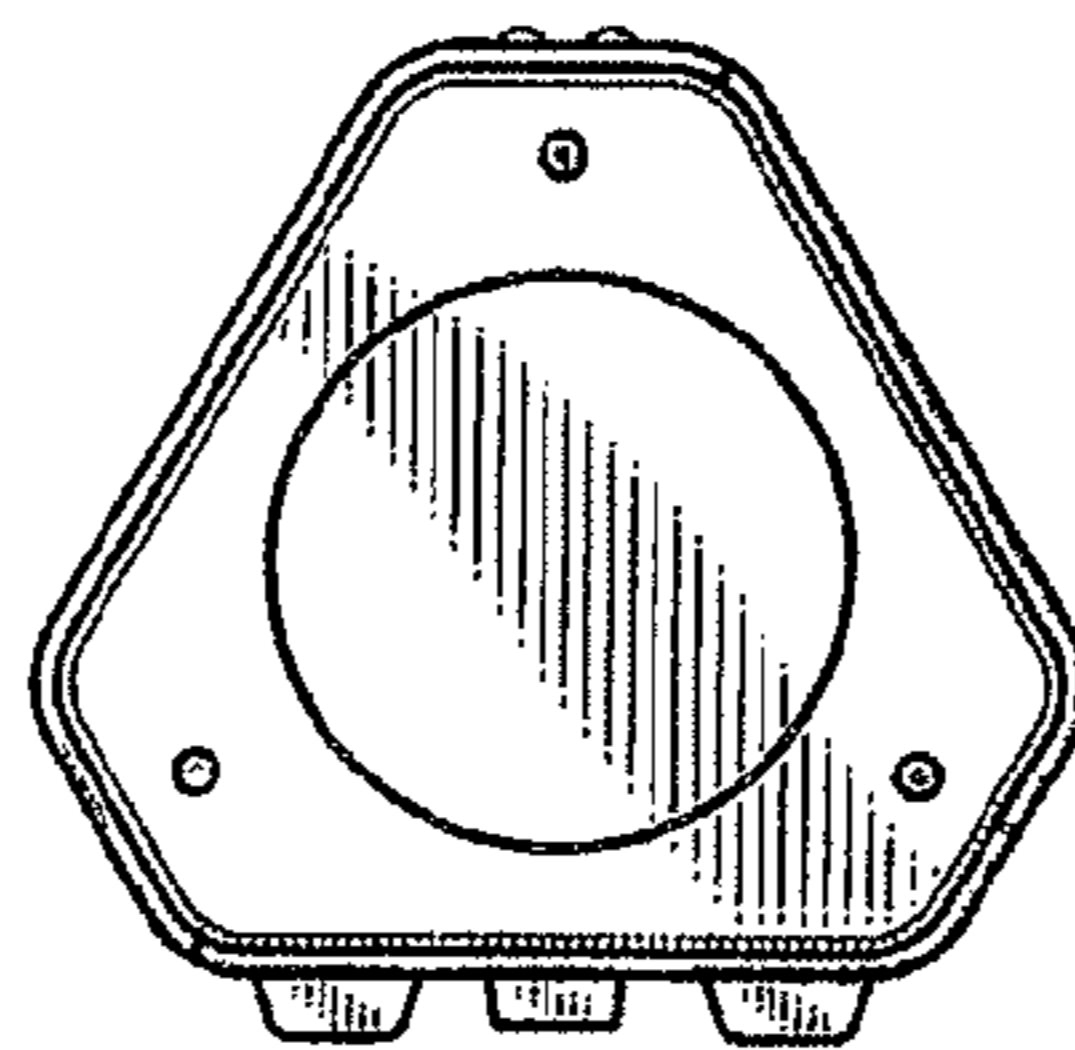


FIG. 5

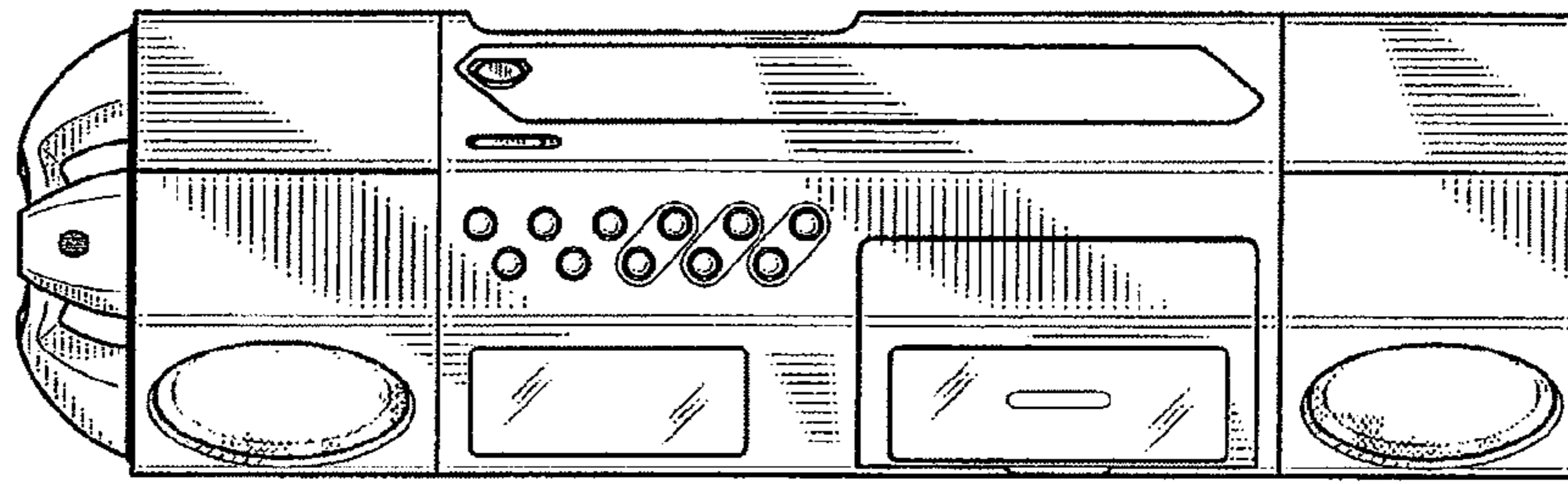


FIG. 6

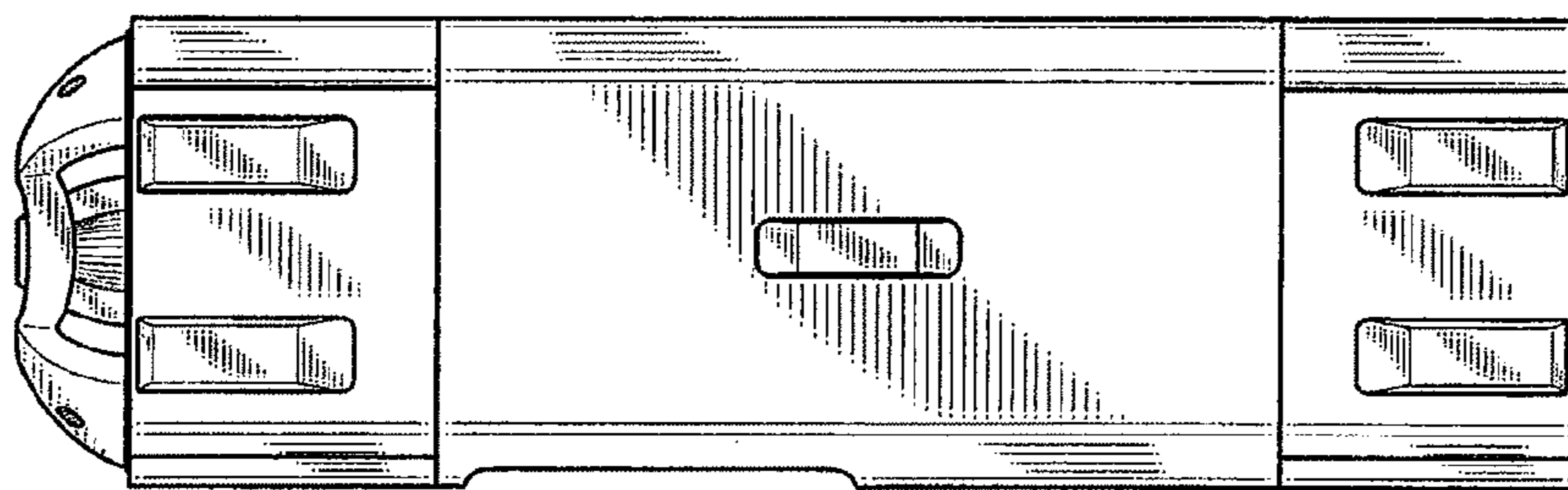


FIG. 7