



US00D677243S

(12) **United States Design Patent**
Kitayama et al.

(10) **Patent No.:** **US D677,243 S**
(45) **Date of Patent:** **** Mar. 5, 2013**

(54) **HEADPHONE**

(75) Inventors: **Sohei Kitayama**, Tokyo (JP);
Emmanuelle Choteau, Surrey (GB)

(73) Assignee: **Sony Corporation**, Tokyo (JP)

(**) Term: **14 Years**

(21) Appl. No.: **29/421,592**

(22) Filed: **Aug. 20, 2012**

Related U.S. Application Data

(60) Continuation of application No. 29/395,889, filed on Apr. 18, 2012, and a continuation of application No. 29/371,971, filed on Mar. 9, 2012, now Pat. No. Des. 666,990, which is a division of application No. 29/371,443, filed on Feb. 28, 2011, now Pat. No. Des. 656,125.

(30) **Foreign Application Priority Data**

Aug. 26, 2010 (JP) D2010-020572
Aug. 27, 2010 (CN) 2010 3 0508542
Aug. 27, 2010 (CN) 2010 3 0508544
Oct. 19, 2011 (JP) D2011-024000

(51) **LOC (9) Cl.** **14-01**

(52) **U.S. Cl.** **D14/205**

(58) **Field of Classification Search** D14/205;
D29/112; 2/209; 181/129, 130, 135; 379/430,
379/431; 455/90.3, 575.1

See application file for complete search history.

(56) **References Cited**

U.S. PATENT DOCUMENTS

1,483,315 A 2/1924 Saal
1,606,165 A * 11/1926 Glenn 381/384
2,413,345 A 12/1946 Gilman

D179,467 S 1/1957 Aleks
D184,664 S 3/1959 Clayton
D255,352 S 6/1980 Besasie
4,829,571 A 5/1989 Kakiuchi et al.
D328,074 S * 7/1992 Yamazaki et al. D14/205
D328,461 S * 8/1992 Daido et al. D14/205
5,185,807 A 2/1993 Bergin et al.
D336,646 S * 6/1993 Yamazaki et al. D14/205
D337,115 S * 7/1993 Yamazaki et al. D14/205

(Continued)

FOREIGN PATENT DOCUMENTS

JP D1261818 S 2/2006
JP D1280063 S 9/2006

(Continued)

Primary Examiner — Paula Greene

(74) *Attorney, Agent, or Firm* — Rader, Fishman & Grauer PLLC

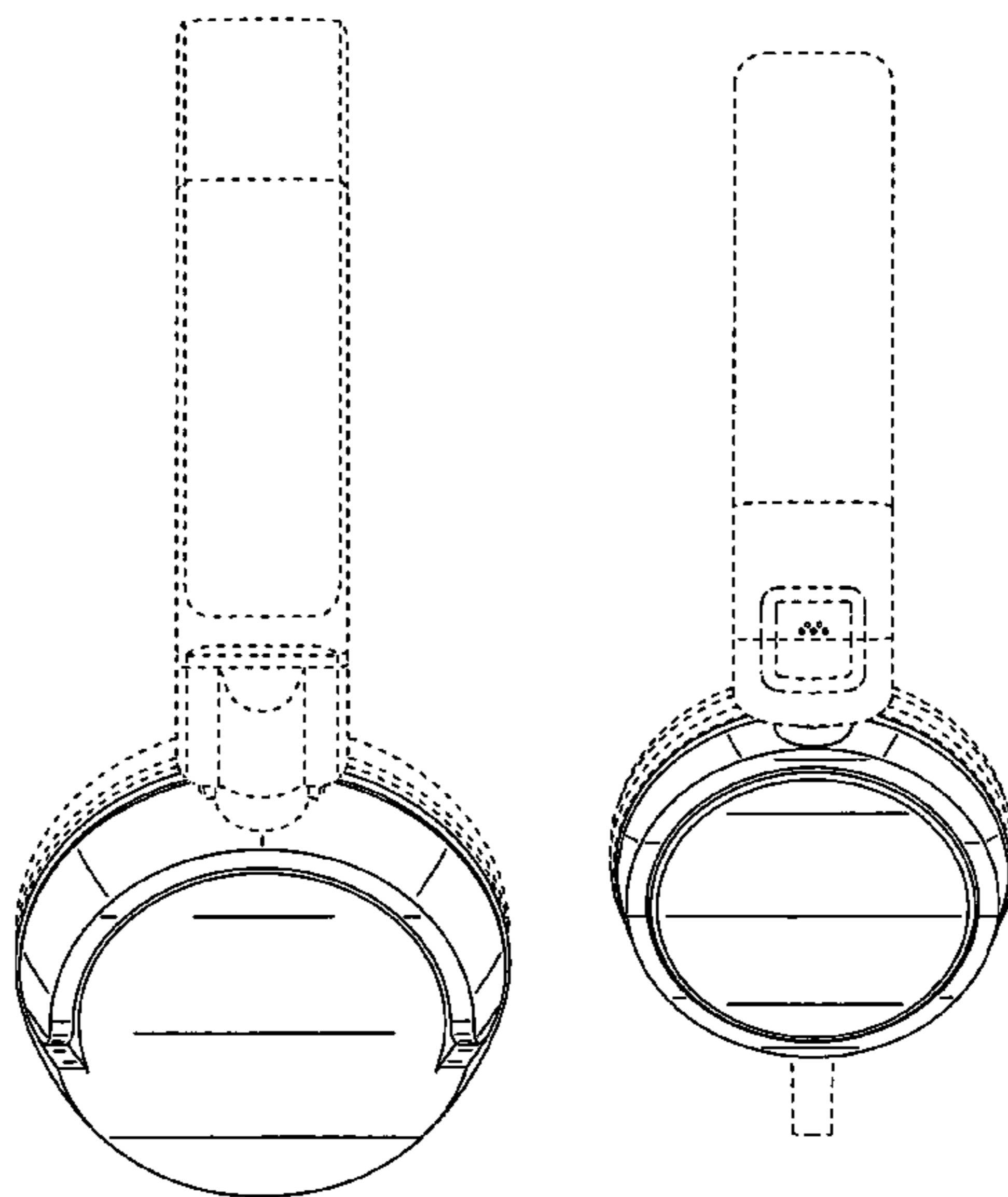
(57) **CLAIM**

The ornamental design for a headphone, as shown and described.

DESCRIPTION

FIG. 1 is a perspective view of a first embodiment of a headphone showing our new design;
FIG. 2 is a front elevational view thereof;
FIG. 3 is a rear elevational view thereof;
FIG. 4 is a right side elevational view thereof;
FIG. 5 is a top plan view thereof; and
FIG. 6 is a bottom plan view thereof.
FIG. 7 is a perspective view of a second embodiment of a headphone showing our new design;
FIG. 8 is a front elevational view thereof;
FIG. 9 is a rear elevational view thereof;
FIG. 10 is a right side elevational view thereof;
FIG. 11 is a top plan view thereof; and
FIG. 12 is a bottom plan view thereof.

1 Claim, 10 Drawing Sheets



US D677,243 S

Page 2

U.S. PATENT DOCUMENTS

D345,163 S * 3/1994 Yamatogi D14/205
D353,817 S 12/1994 Wada
D369,604 S 5/1996 Morimiya
D410,466 S 6/1999 Mouri
D431,550 S 10/2000 Yoneda
D476,639 S * 7/2003 Bergeron et al. D14/205
D484,868 S 1/2004 Suzuki
D510,335 S 10/2005 Suzuki
D514,087 S 1/2006 Wilson et al.
D517,045 S 3/2006 Komiyama
D518,474 S 4/2006 Suzuki
D519,110 S 4/2006 Komiyama
D519,497 S 4/2006 Komiyama
D525,235 S 7/2006 Koizumi
D532,407 S 11/2006 Motoishi
D538,261 S * 3/2007 Taylor et al. D14/205
D541,255 S 4/2007 Taylor et al.
D549,217 S 8/2007 Viduya et al.
7,388,960 B2 6/2008 Kuo et al.
D573,581 S * 7/2008 Gondo et al. D14/205
D576,604 S * 9/2008 Suzuki D14/205
7,457,649 B1 11/2008 Wilson
D585,872 S 2/2009 Lee
D587,243 S 2/2009 Suzuki
D588,098 S * 3/2009 Kurihara D14/205

D594,847 S 6/2009 Suzuki
D597,070 S * 7/2009 Zheng D14/205
D600,674 S * 9/2009 Brennwald D14/205
D613,266 S 4/2010 Barry et al.
D616,419 S 5/2010 Suwalski et al.
D633,895 S 3/2011 Morimoto
D635,958 S 4/2011 Ando et al.
D637,579 S 5/2011 Hamaura et al.
D639,775 S 6/2011 Horibe et al.
D639,776 S * 6/2011 Arimoto D14/205
D642,554 S 8/2011 Schaal et al.
D656,125 S * 3/2012 Komiyama et al. D14/205
D662,080 S * 6/2012 Carr et al. D14/205
D664,113 S * 7/2012 Katsumata et al. D14/205
D665,775 S * 8/2012 Katsumata D14/205
D666,990 S * 9/2012 Komiyama et al. D14/205

FOREIGN PATENT DOCUMENTS

JP D1337863 S 8/2008
JP D1352152 S 3/2009
JP D1385325 S 4/2010

* cited by examiner

FIG. 1

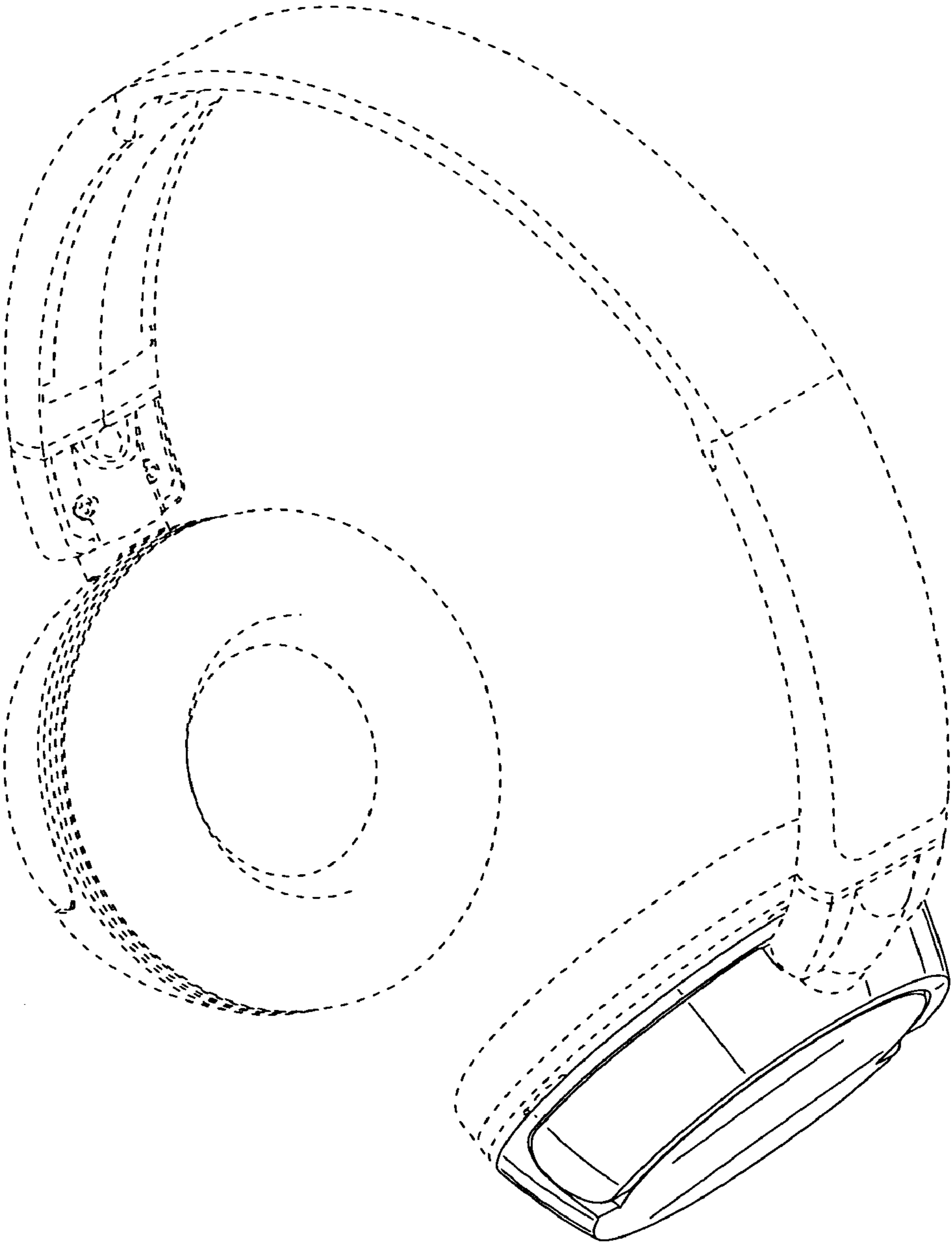


FIG.2

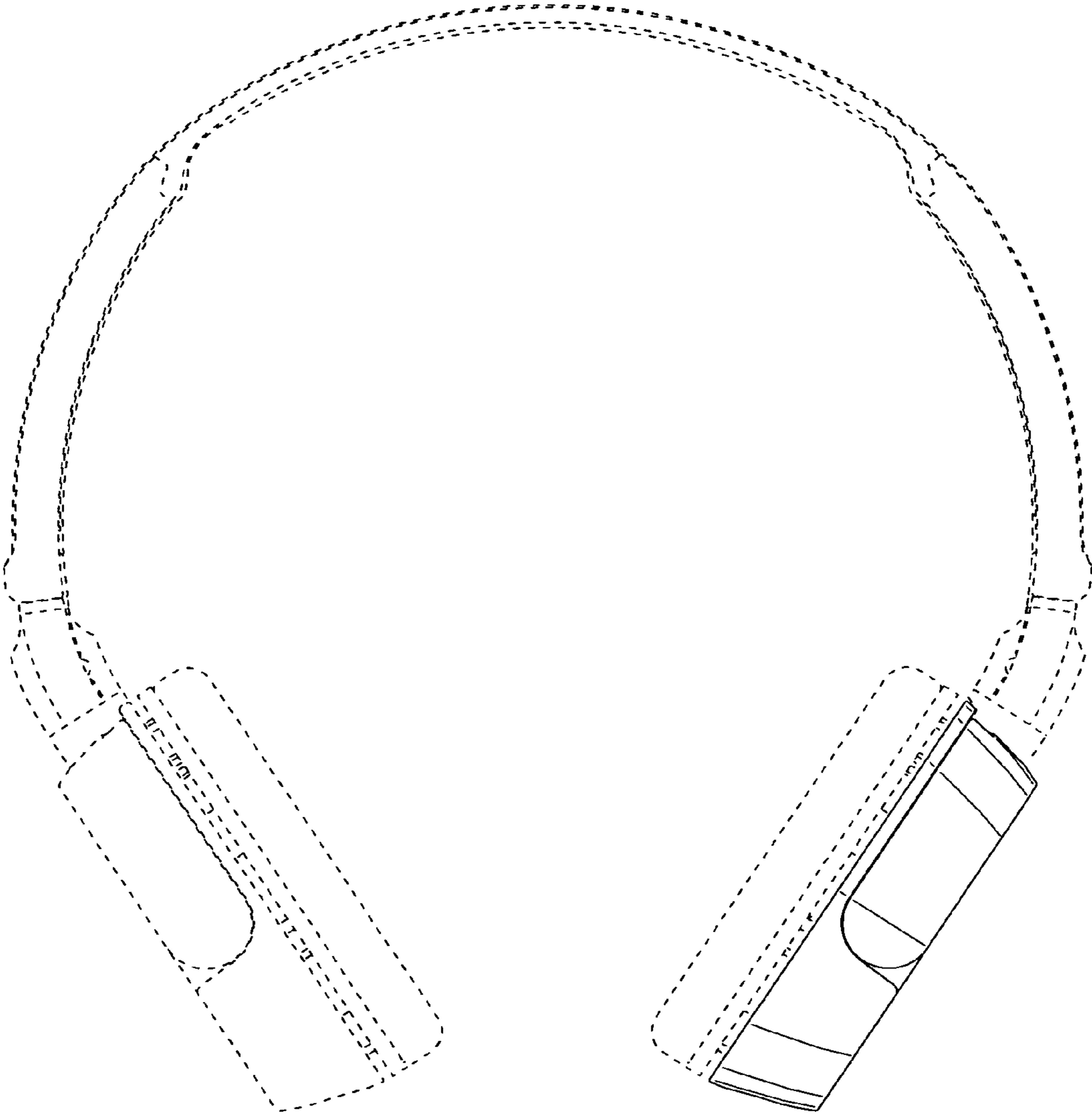


FIG.3

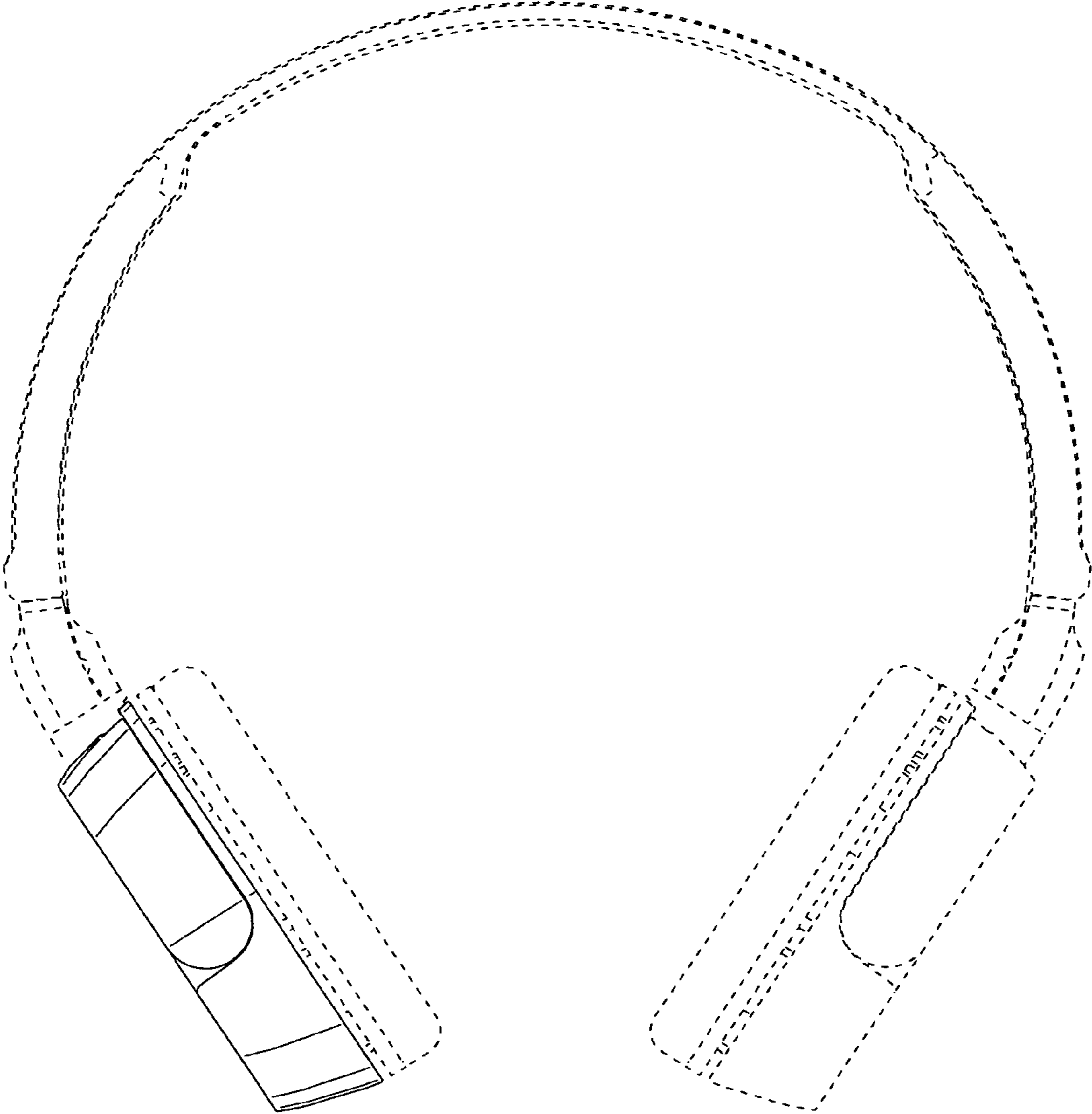


FIG.4

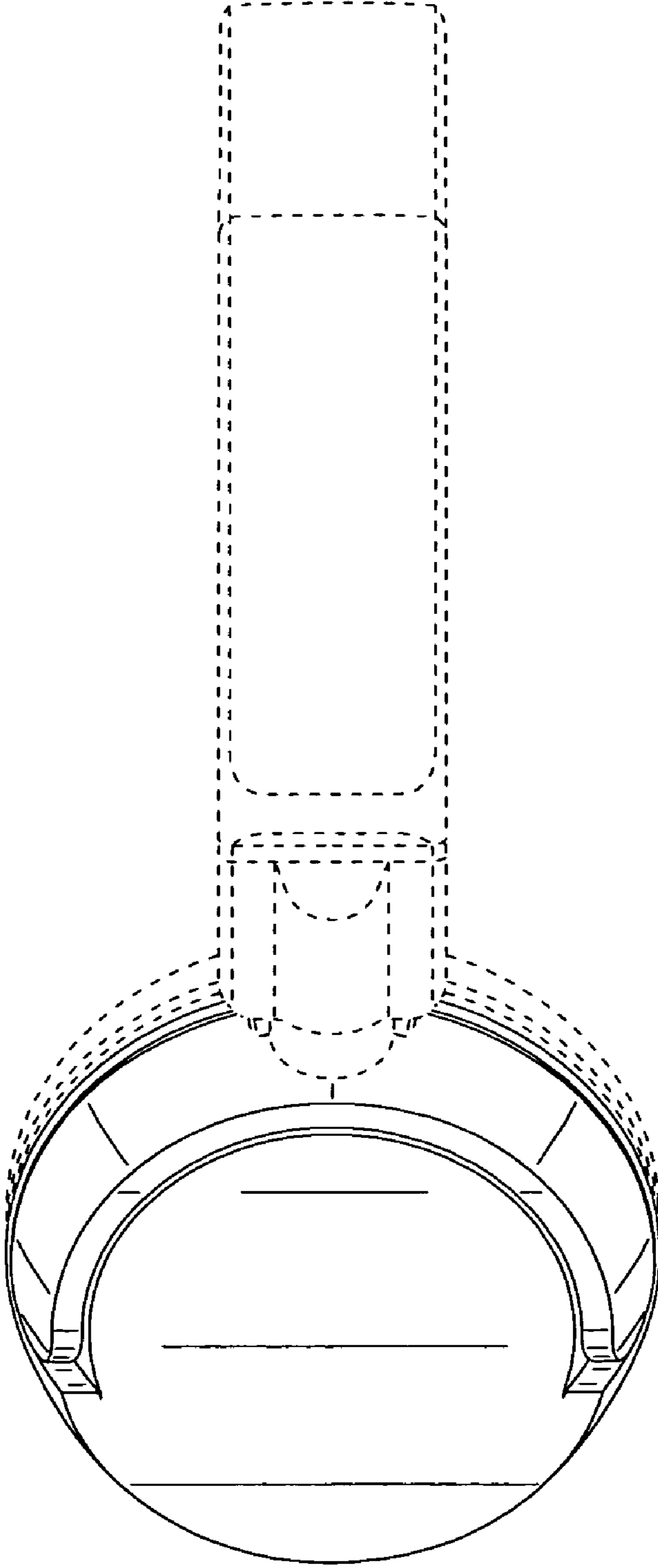


FIG.5

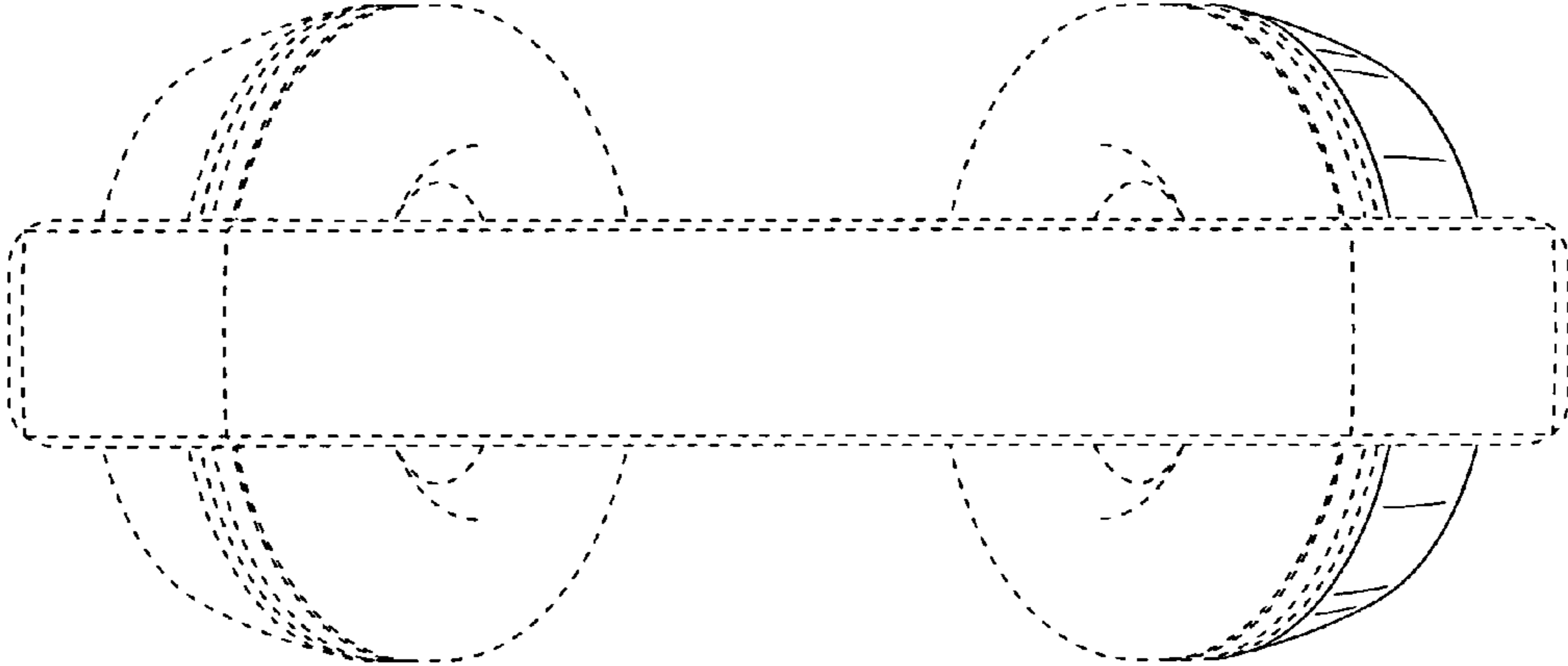


FIG.6

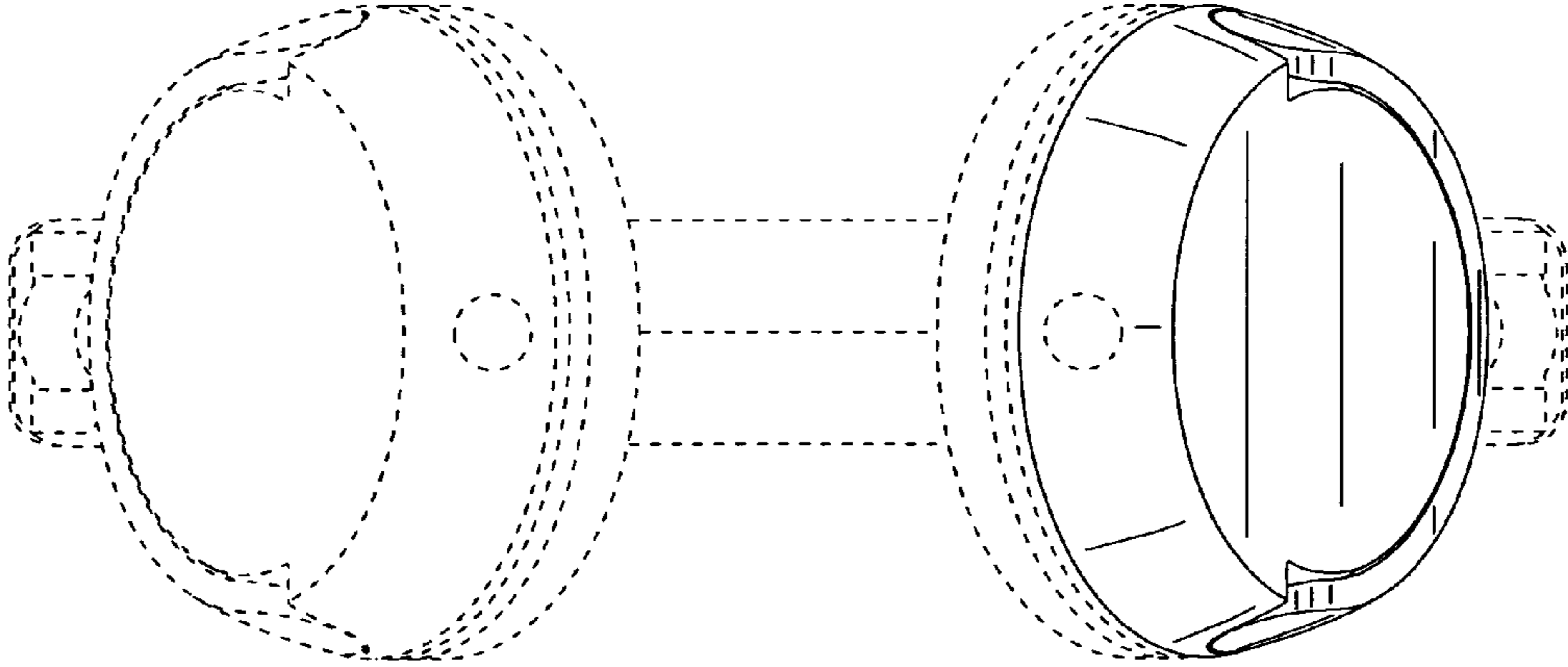


FIG.7

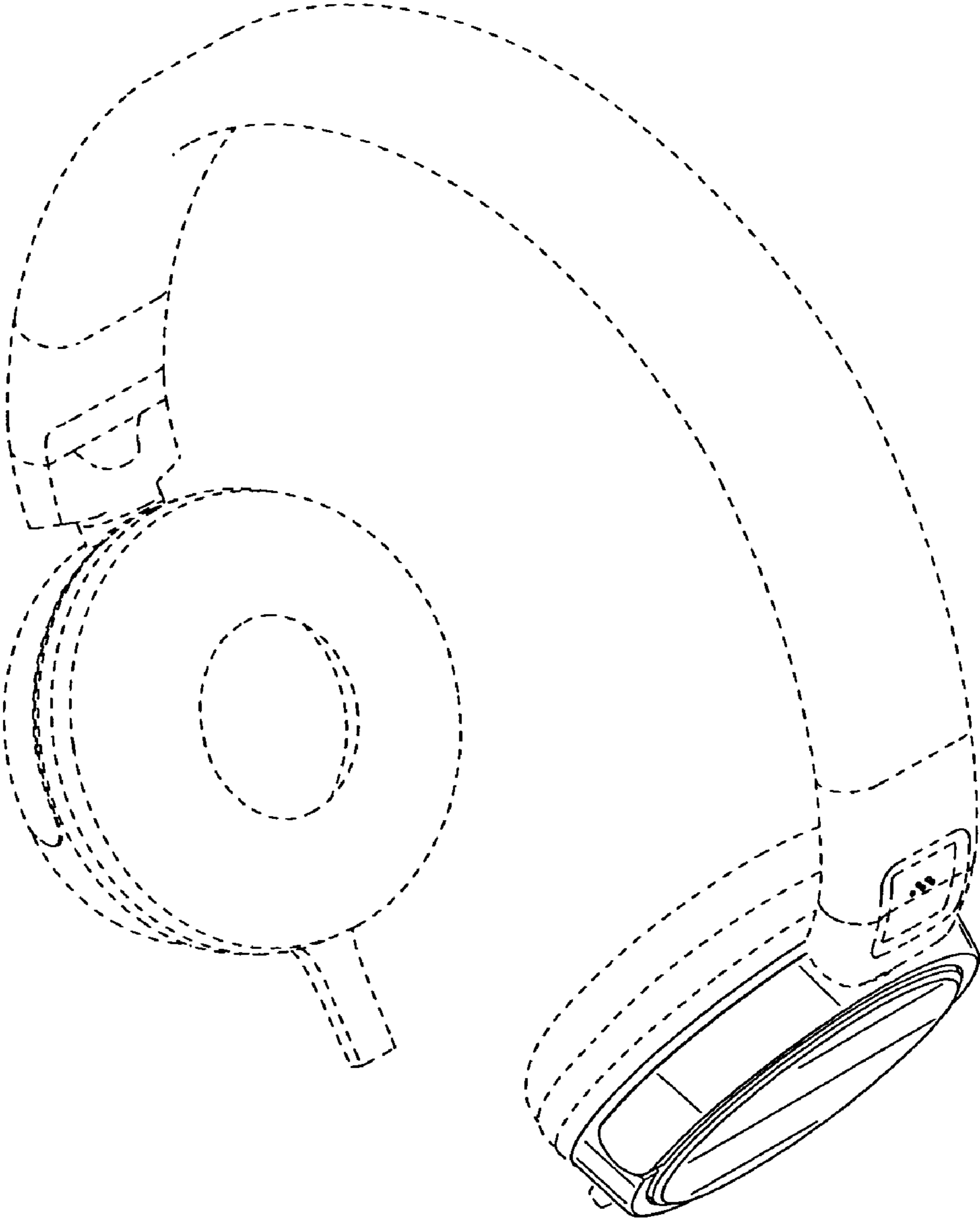


FIG.8

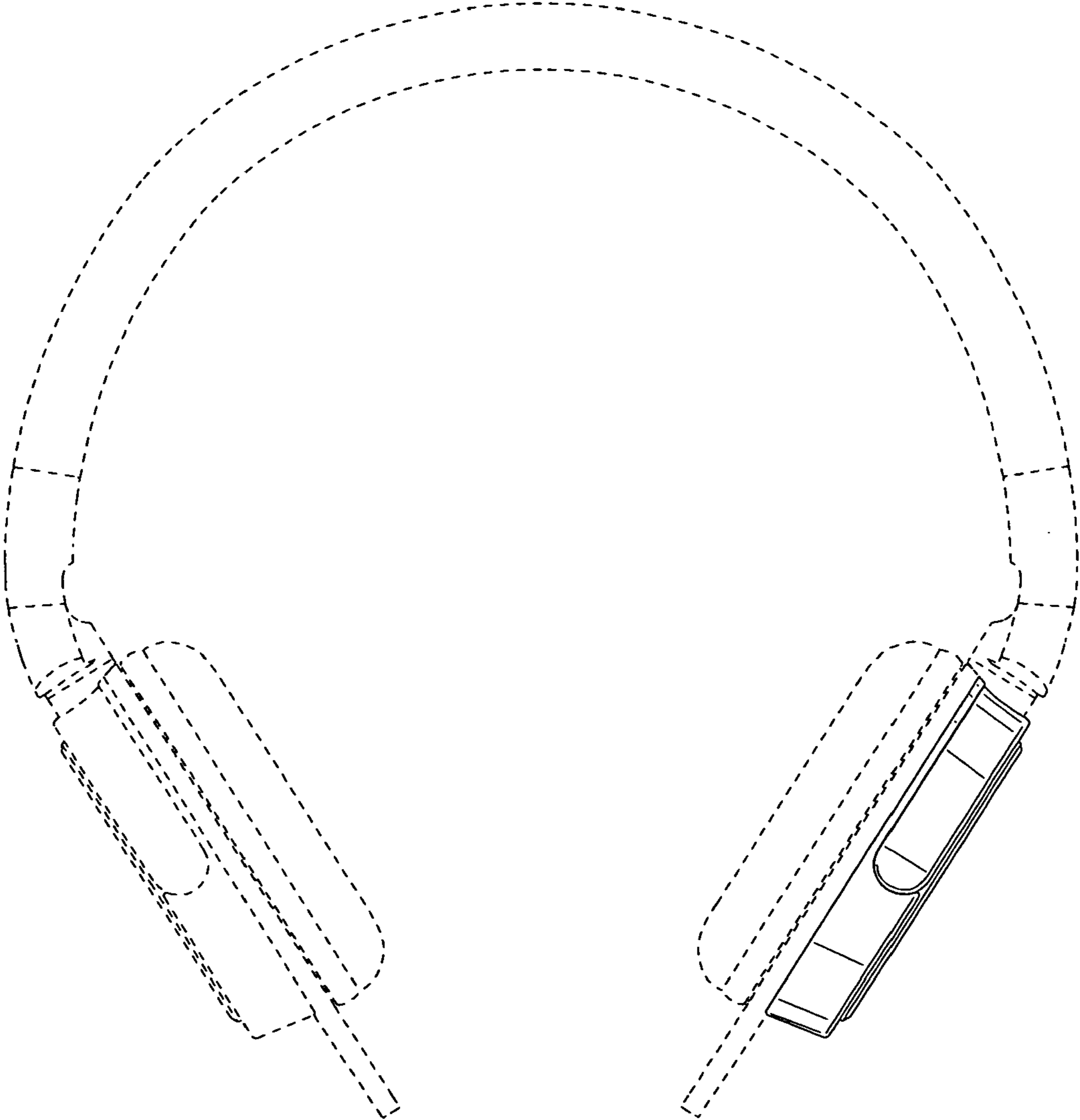


FIG.9

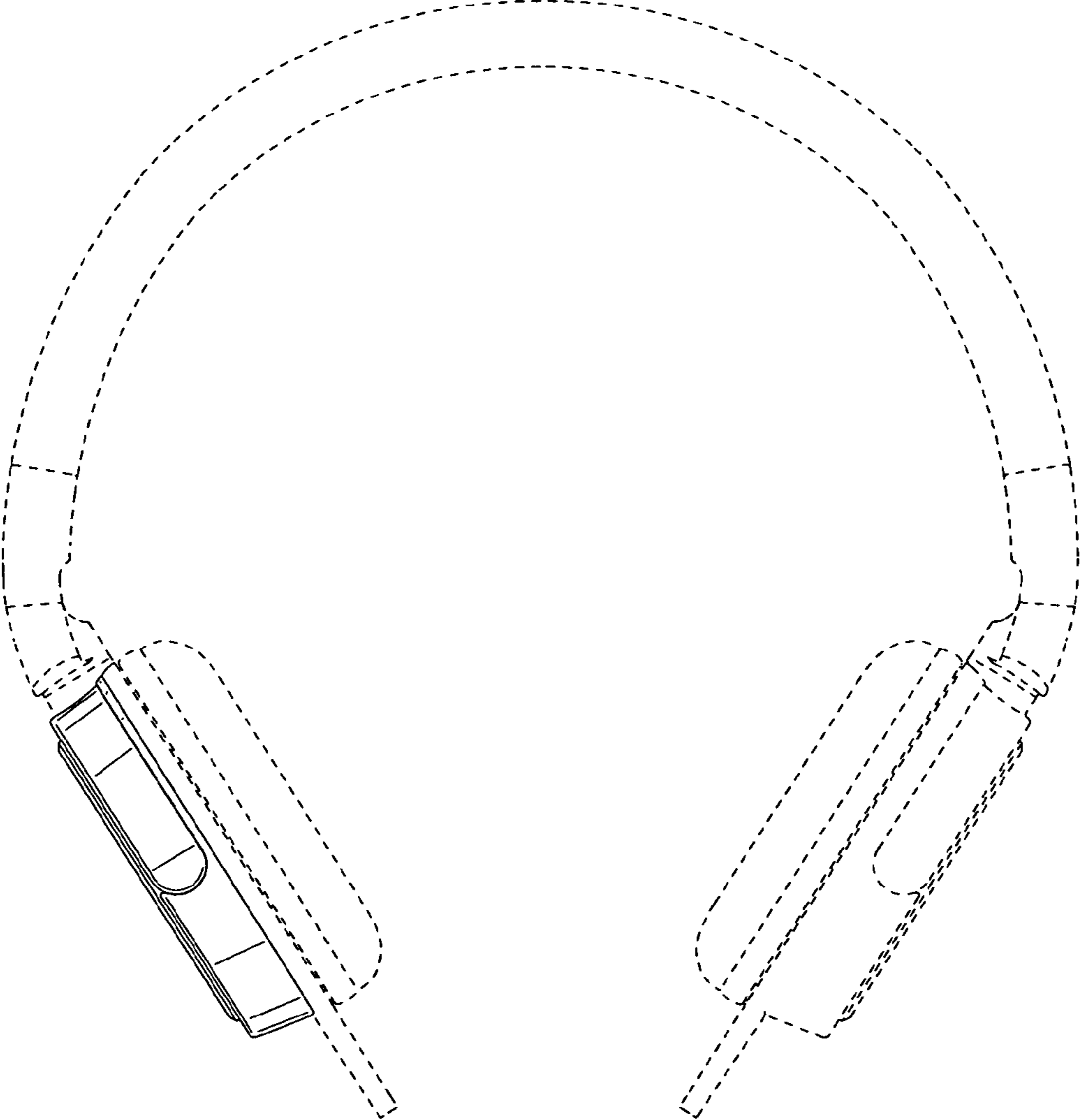


FIG. 10

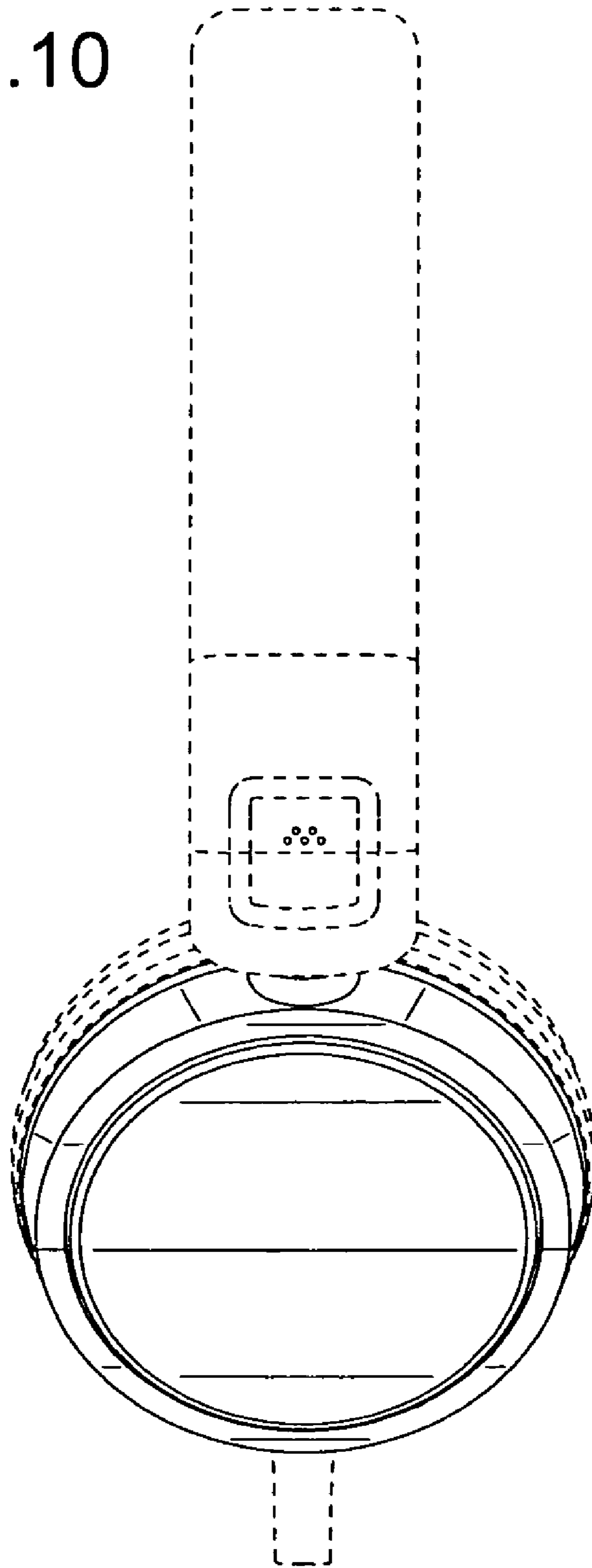


FIG.11

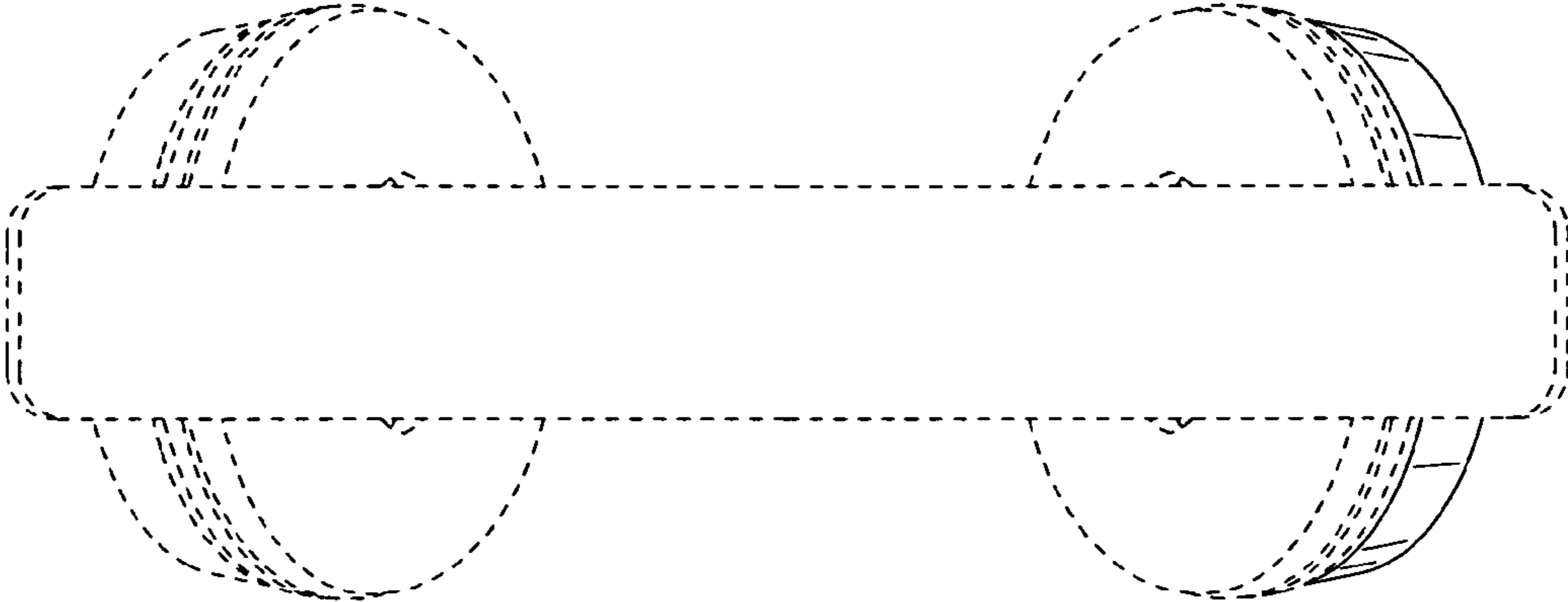


FIG.12

