



US00D677242S

(12) **United States Design Patent**  
**Lee et al.**

(10) **Patent No.:** **US D677,242 S**  
(45) **Date of Patent:** **\*\* Mar. 5, 2013**

(54) **HEADPHONES**

(75) Inventors: **Noel Lee**, Las Vegas, NV (US);  
**Kendrew Lee**, Tsing Yi (HK); **Sin Yee Fung**, Hong Kong (HK)

(73) Assignee: **Monster, LLC**, Las Vegas, NV (US)

(\*\*) Term: **14 Years**

(21) Appl. No.: **29/410,553**

(22) Filed: **Jan. 9, 2012**

(51) **LOC (9) Cl.** ..... **14-01**

(52) **U.S. Cl.** ..... **D14/205**

(58) **Field of Classification Search** ..... D14/205,  
D14/206, 223; D29/112; 2/209; 181/129,  
181/130, 135; 379/430, 431; 381/380, 381,  
381/371, 375; 455/90.3, 575.1

See application file for complete search history.

(56) **References Cited**

**U.S. PATENT DOCUMENTS**

D254,183	S	*	2/1980	Doodson	.....	D14/205
5,018,599	A	*	5/1991	Dohi et al.	.....	181/129
5,551,089	A	*	9/1996	Whidden	.....	2/209
7,072,483	B2	*	7/2006	Lenhard-Backhaus	.....	381/383
D563,382	S	*	3/2008	Wikel	.....	D14/205
D573,581	S	*	7/2008	Gondo et al.	.....	D14/205
D593,995	S	*	6/2009	Shimizu	.....	D14/205
D594,441	S		6/2009	Lee et al.		
D598,901	S		8/2009	Lee et al.		
D599,781	S		9/2009	Lee et al.		
D600,675	S		9/2009	Lee et al.		
D634,732	S	*	3/2011	Kondo et al.	.....	D14/205
D637,176	S	*	5/2011	Brunner et al.	.....	D14/205

D637,182	S		5/2011	Lee et al.		
D641,008	S		7/2011	Lee et al.		
D642,163	S		7/2011	Lee et al.		
D643,417	S		8/2011	Lee et al.		
D643,418	S		8/2011	Lee et al.		
D643,833	S		8/2011	Lee et al.		
D657,344	S	*	4/2012	Brunner et al.	.....	D14/205
D657,776	S	*	4/2012	Lee et al.	.....	D14/205
D660,823	S	*	5/2012	Hardi et al.	.....	D14/205
D660,824	S	*	5/2012	Hardi et al.	.....	D14/205
D662,080	S	*	6/2012	Carr et al.	.....	D14/205
D663,716	S	*	7/2012	Hardi et al.	.....	D14/205

\* cited by examiner

*Primary Examiner* — Paula Greene

(74) *Attorney, Agent, or Firm* — LaRiviere, Grubman & Payne, LLP

(57) **CLAIM**

The ornamental design for headphones, as shown and described.

**DESCRIPTION**

FIG. 1 is a front perspective view of headphones, showing our design;

FIG. 2 is front view thereof;

FIG. 3 is a rear view thereof;

FIG. 4 is a side view thereof;

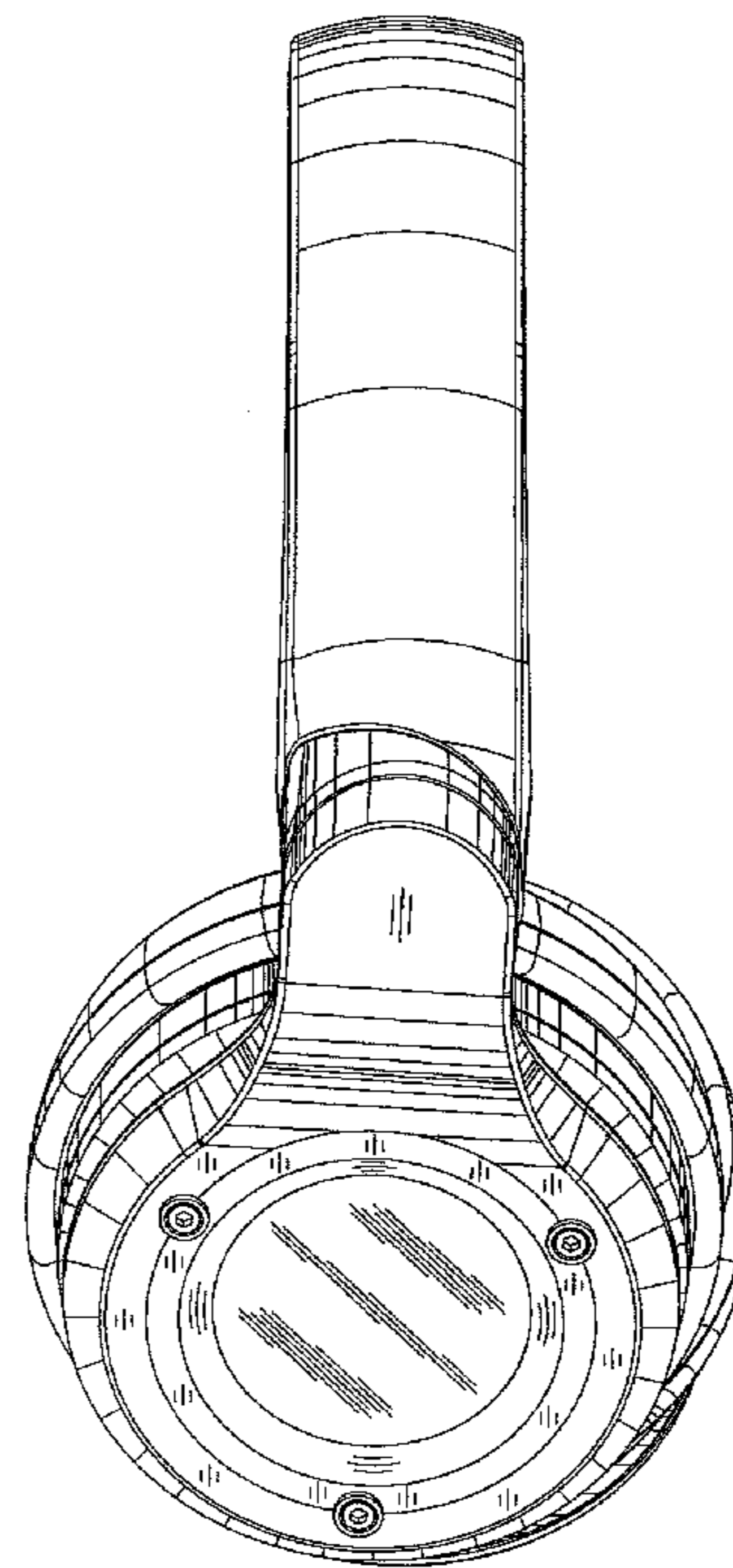
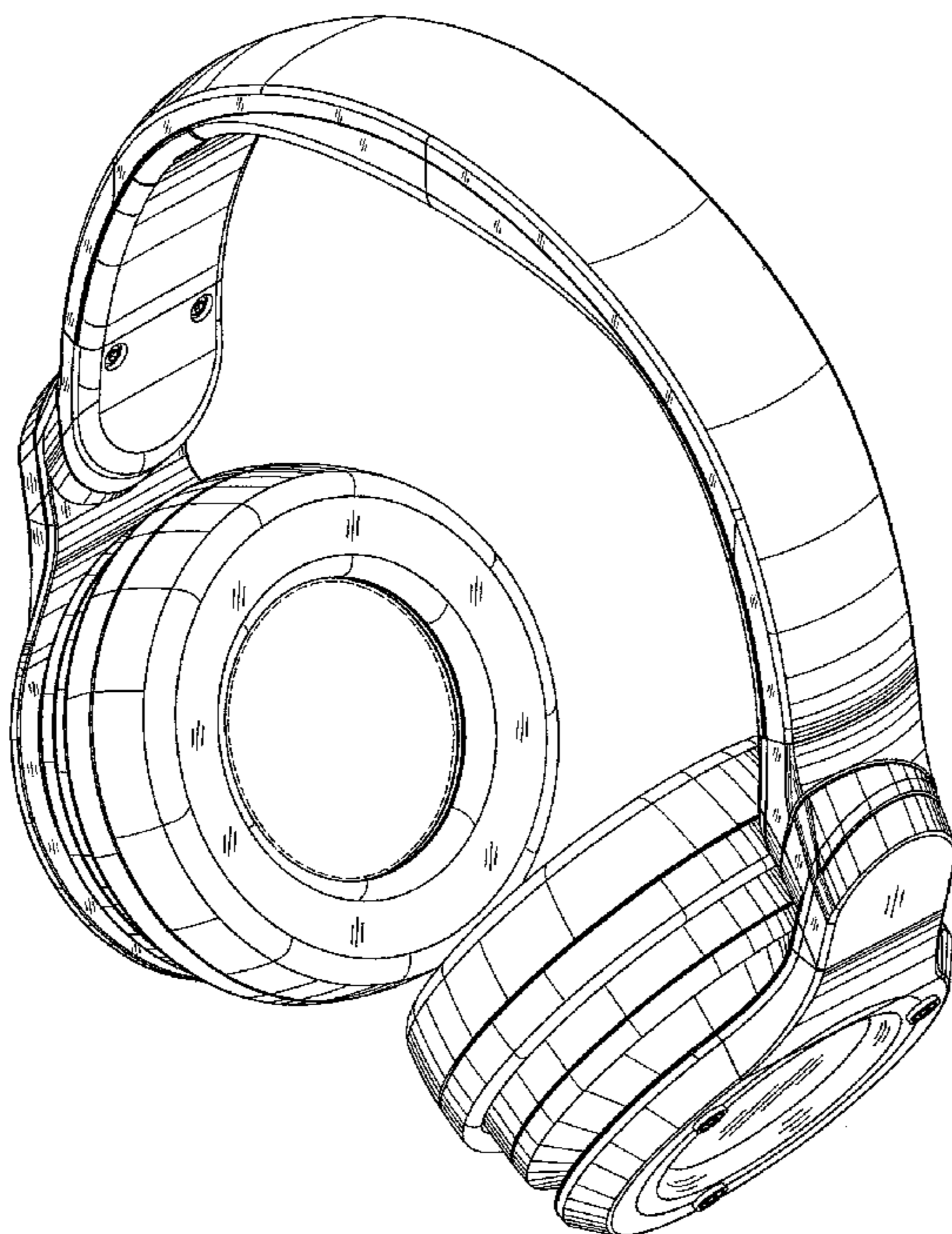
FIG. 5 is an opposing side view thereof;

FIG. 6 is a top view thereof; and,

FIG. 7 is a bottom view thereof.

The broken lines showing the environment in the Figures are for illustrative purposes only and form no part of the claimed design.

**1 Claim, 5 Drawing Sheets**



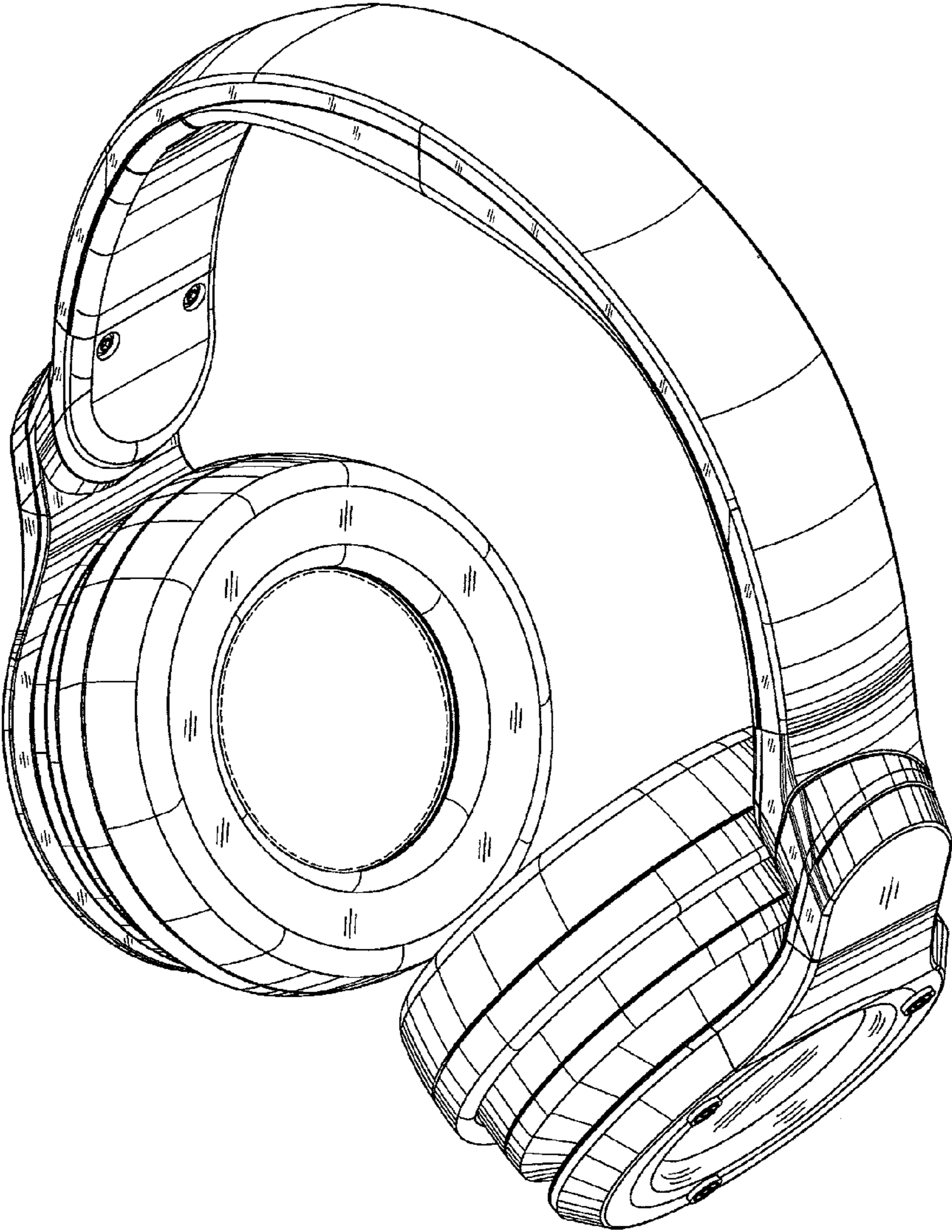


Figure 1



Figure 2



Figure 3

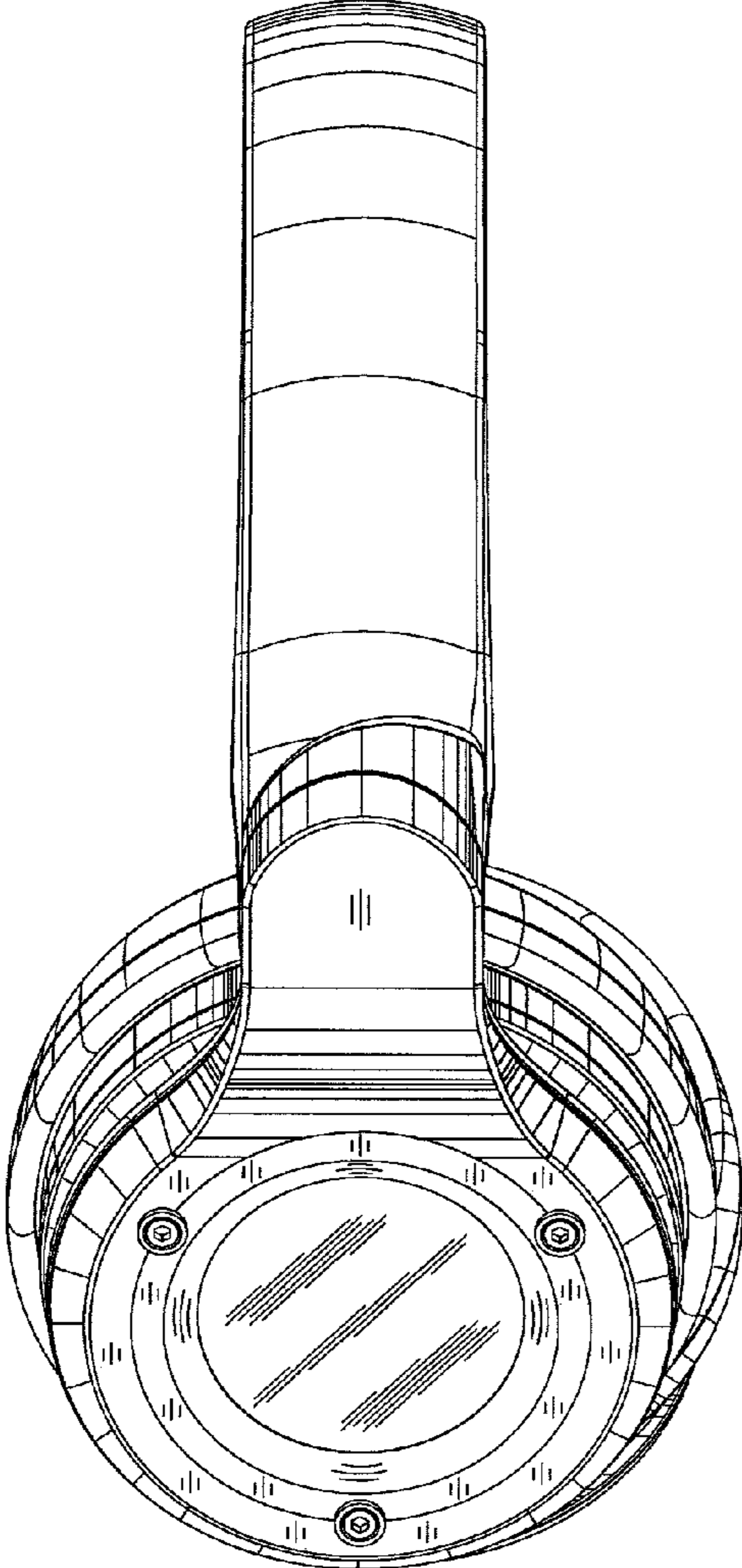


Figure 4

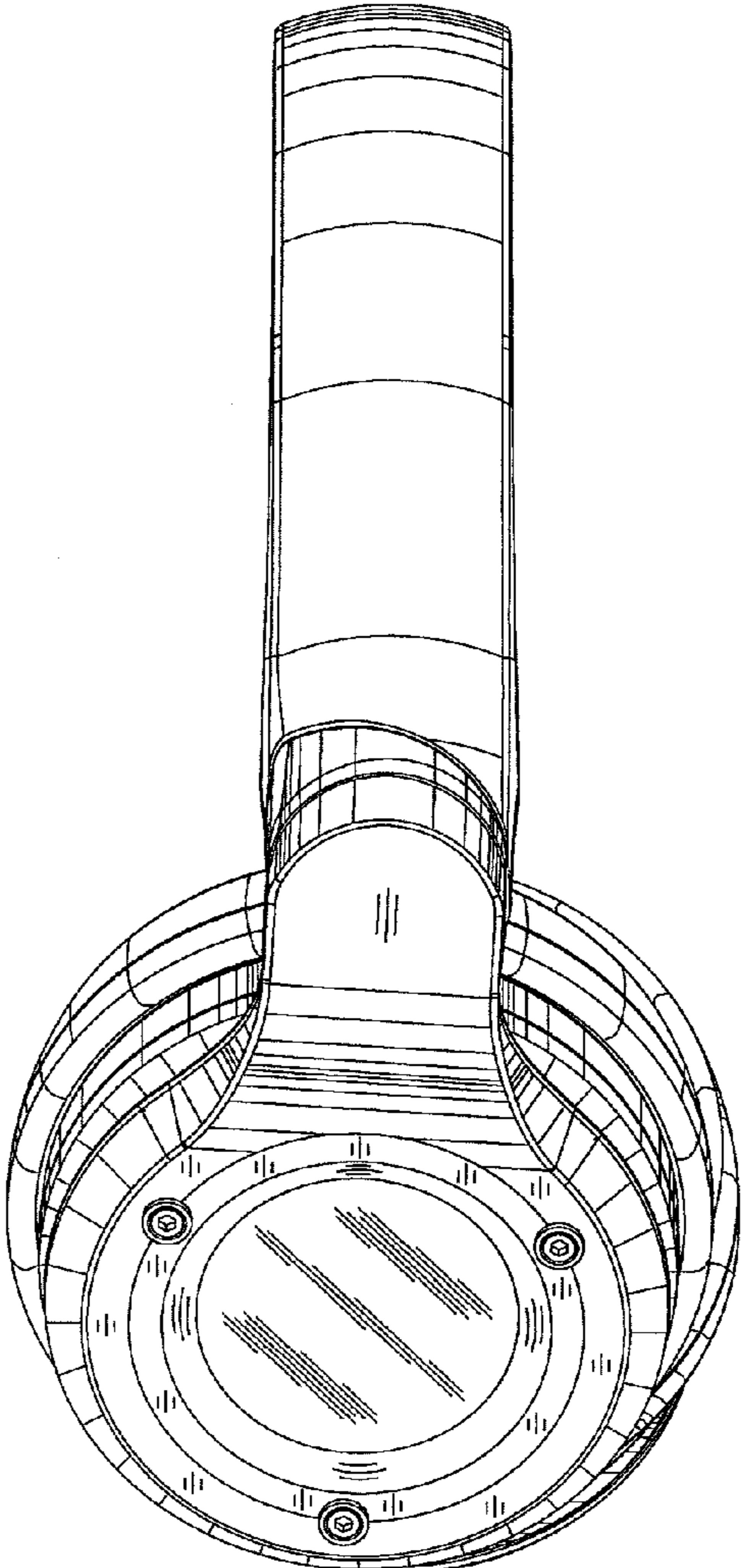


Figure 5

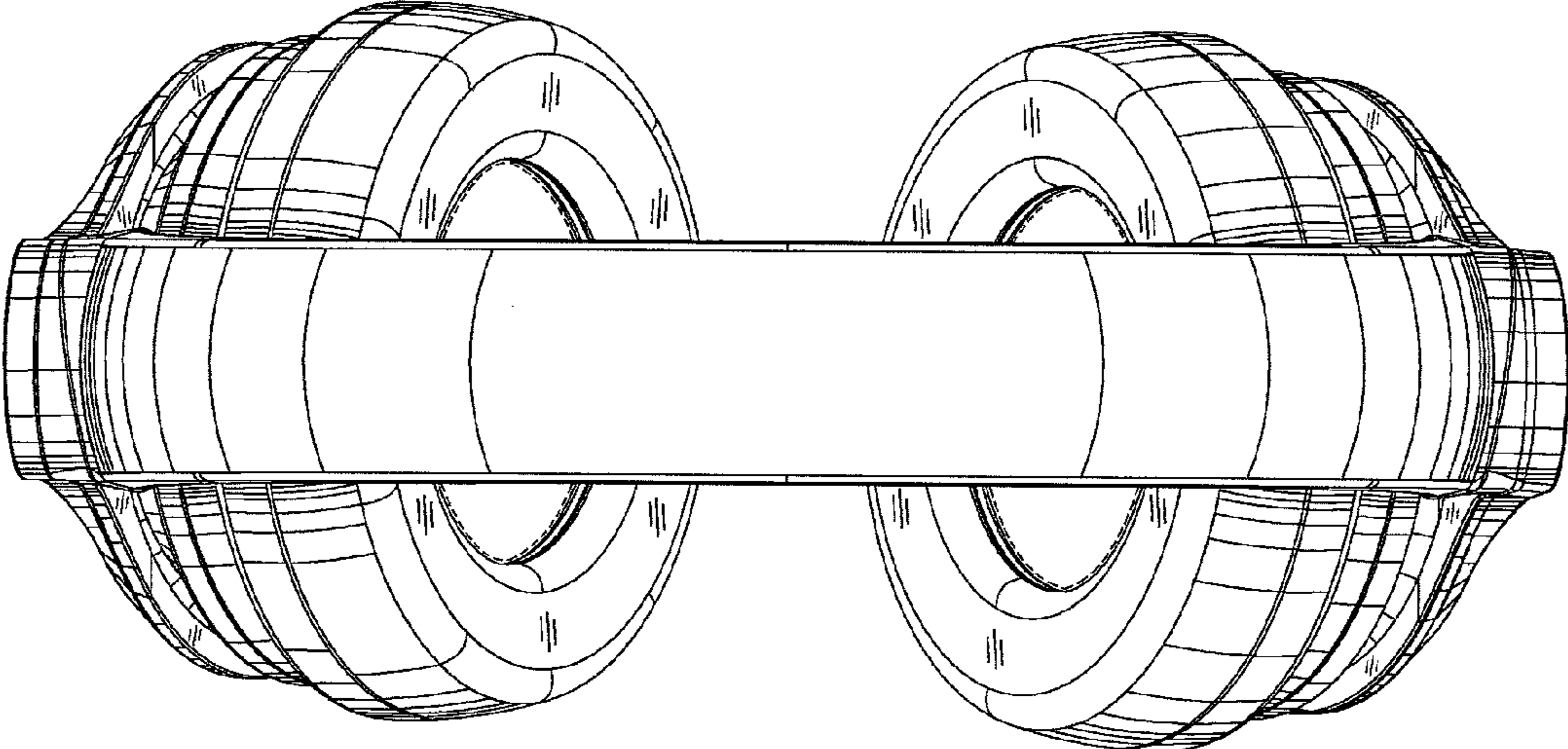


Figure 6

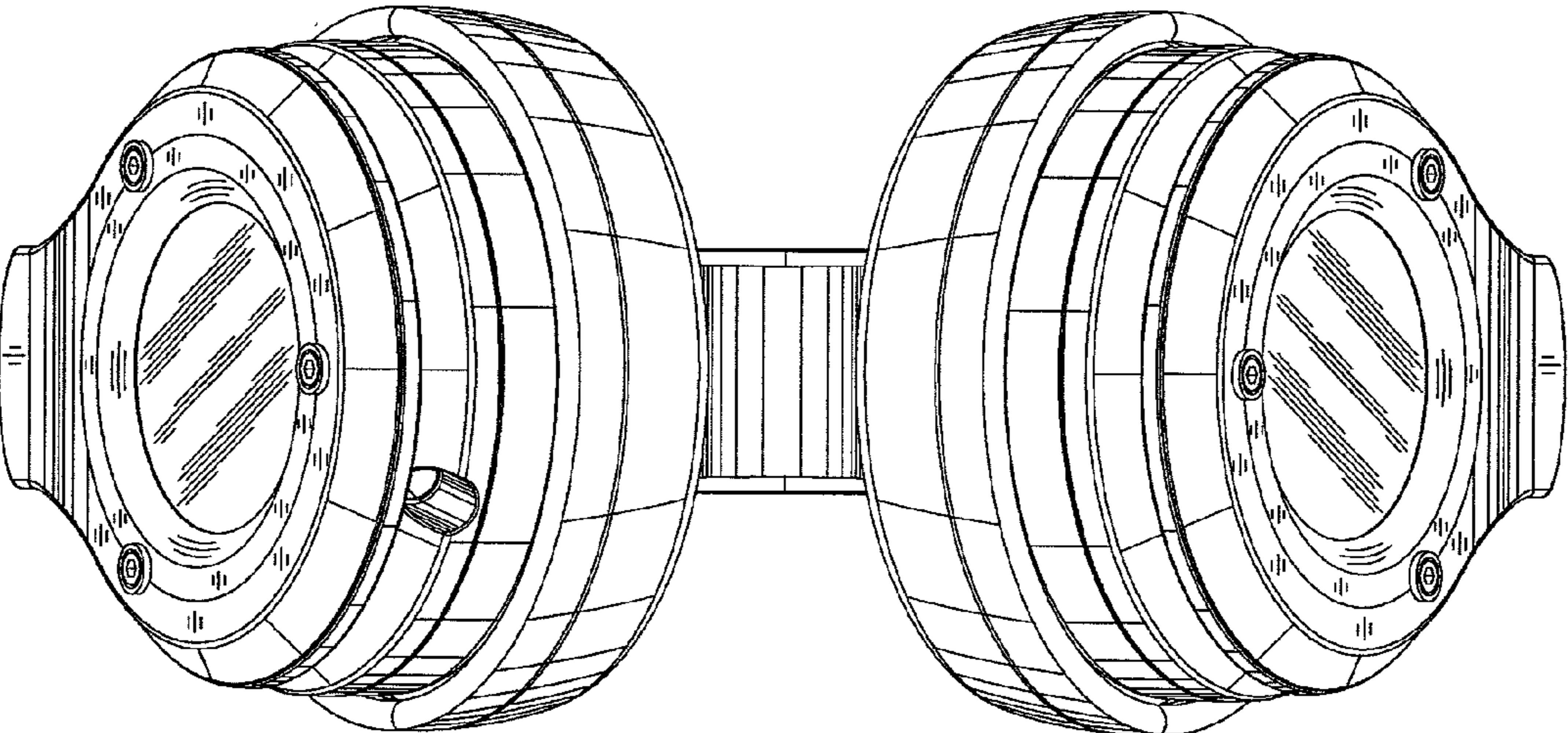


Figure 7