



US00D677239S

(12) **United States Design Patent**
Todorovitch

(10) **Patent No.:** **US D677,239 S**
(45) **Date of Patent:** **** Mar. 5, 2013**

(54) **COMBINED TOUCH PANEL WITH USB PORT AND SATELLITE TRANSCEIVER**

(76) Inventor: **Lisa L. Todorovitch**, Turlock, CA (US)

(**) Term: **14 Years**

(21) Appl. No.: **29/404,511**

(22) Filed: **Oct. 21, 2011**

(51) **LOC (9) Cl.** **14-03**

(52) **U.S. Cl.** **D14/168**; D14/131; D14/157;
D14/258

(58) **Field of Classification Search** D14/125,
D14/126, 129, 131, 132, 137, 155, 157, 168-171,
D14/188, 191, 194, 197, 198, 239, 240, 257,
D14/258, 496, 498-508, 511; 455/90.1-90.3,
455/344-355; 369/6-12; D10/65
See application file for complete search history.

(56) **References Cited**

U.S. PATENT DOCUMENTS

D468,276	S *	1/2003	Chang	D14/126
D535,971	S *	1/2007	Andrade et al.	D14/155
D565,979	S *	4/2008	Ichikawa et al.	D10/65
D574,796	S *	8/2008	Yokoyama	D14/132
D608,228	S *	1/2010	Miyawaki	D10/65
7,682,169	B2	3/2010	Park		

7,701,080	B2	4/2010	Belanger, Jr. et al.	
D641,263	S *	7/2011	Chen D10/10
D661,692	S *	6/2012	Sanlerville D14/240
D667,382	S *	9/2012	Cosentino et al. D13/168
2007/0088471	A1	4/2007	Park et al.	
2009/0043446	A1 *	2/2009	Drew et al. 701/33
2009/0276065	A1	11/2009	Yoo	

* cited by examiner

Primary Examiner — Keli L Hill

(57) **CLAIM**

The ornamental design for a combined touch panel with USB port and satellite transceiver, as shown and described.

DESCRIPTION

FIG. 1 is a front elevation view of a combined touch panel with USB port and satellite transceiver showing my new design with the touch panel and satellite transceiver separated for clarity;

FIG. 2 is a rear elevation view thereof;

FIG. 3 is a right elevation view thereof, the opposite side being a mirror image of the shown;

FIG. 4 is a top plan view thereof, the opposite side being a mirror image of the shown; and,

FIG. 5 is an isometric view thereof.

1 Claim, 5 Drawing Sheets

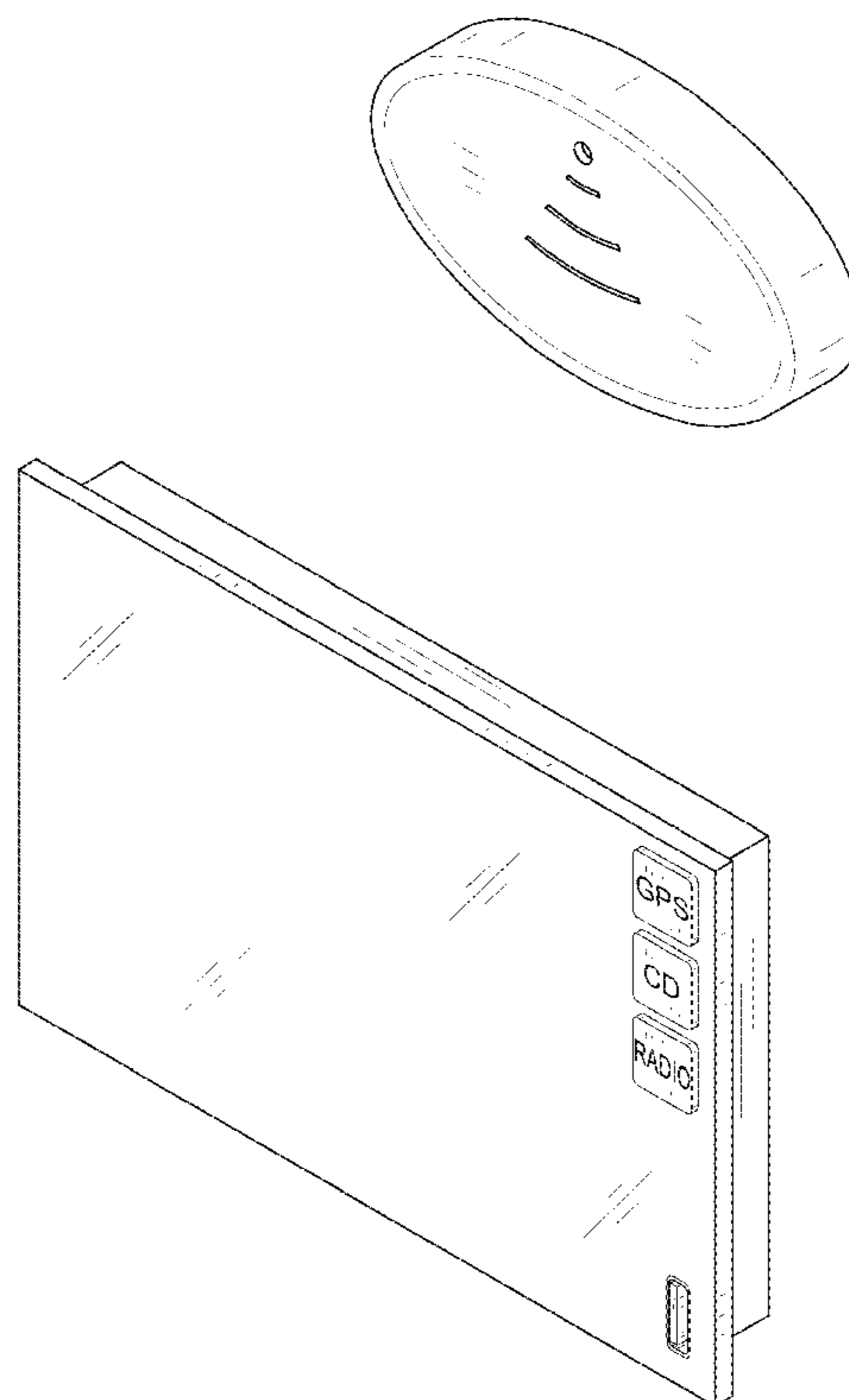


FIG. 1

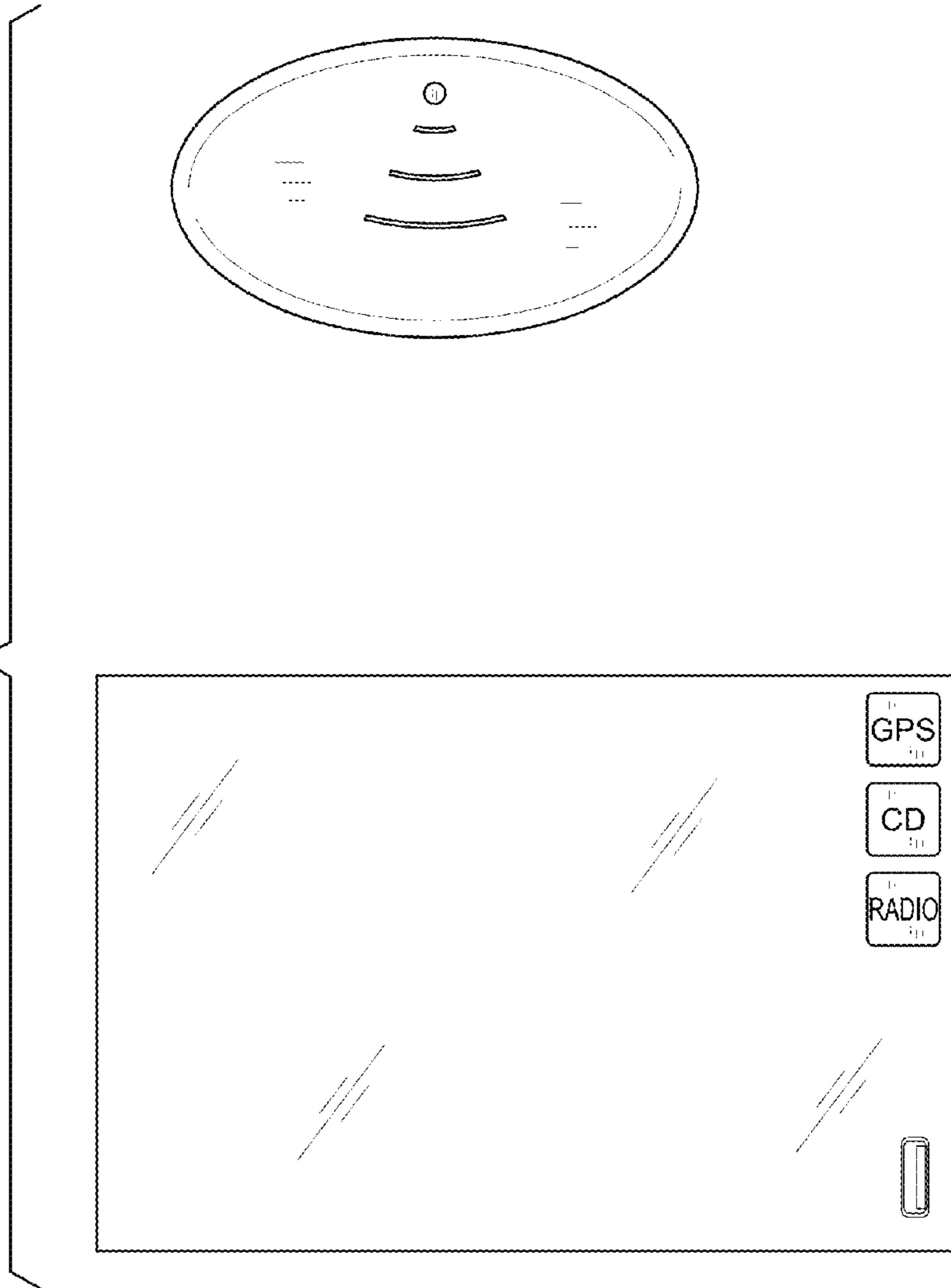


FIG. 2

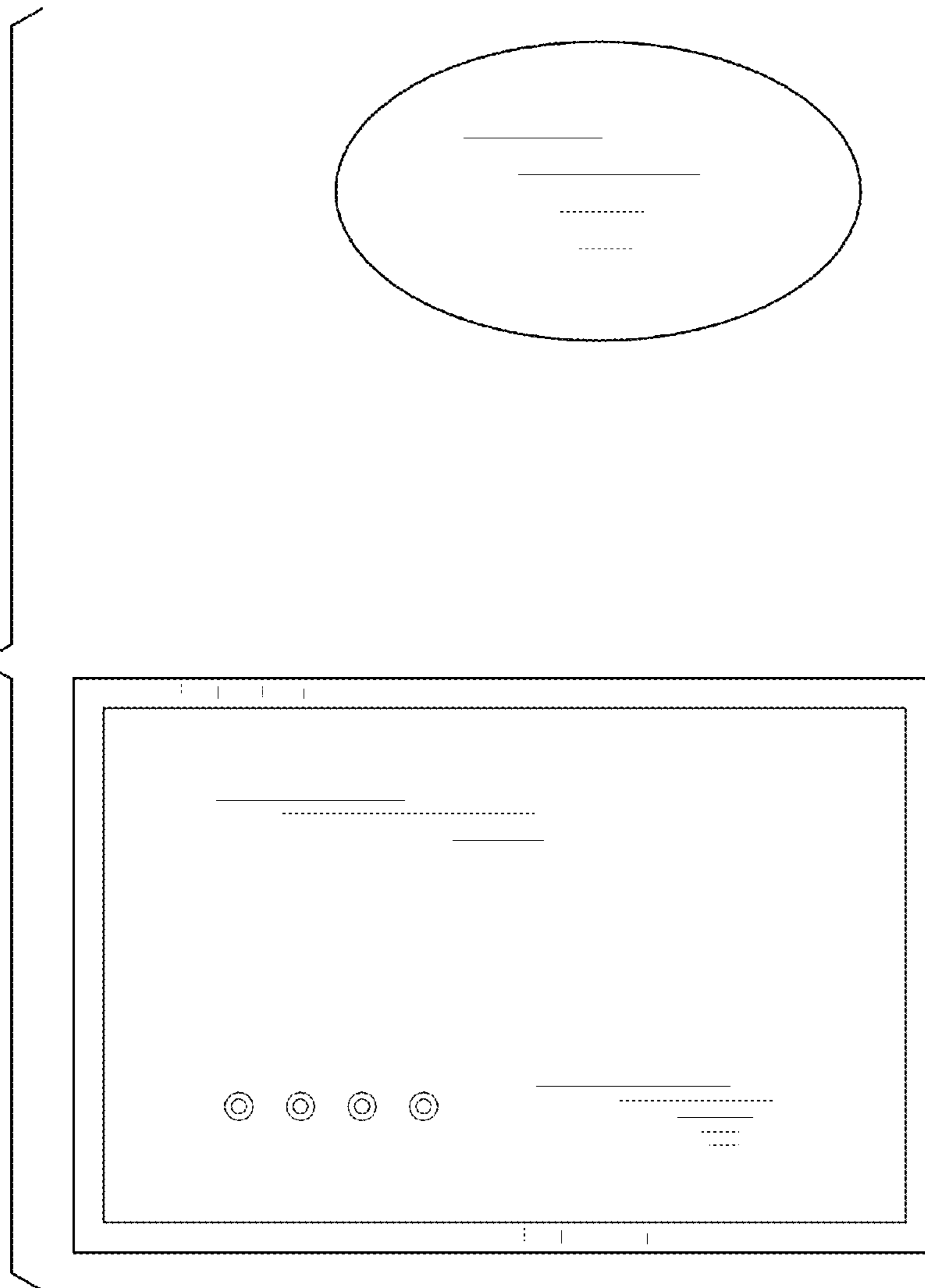


FIG. 3

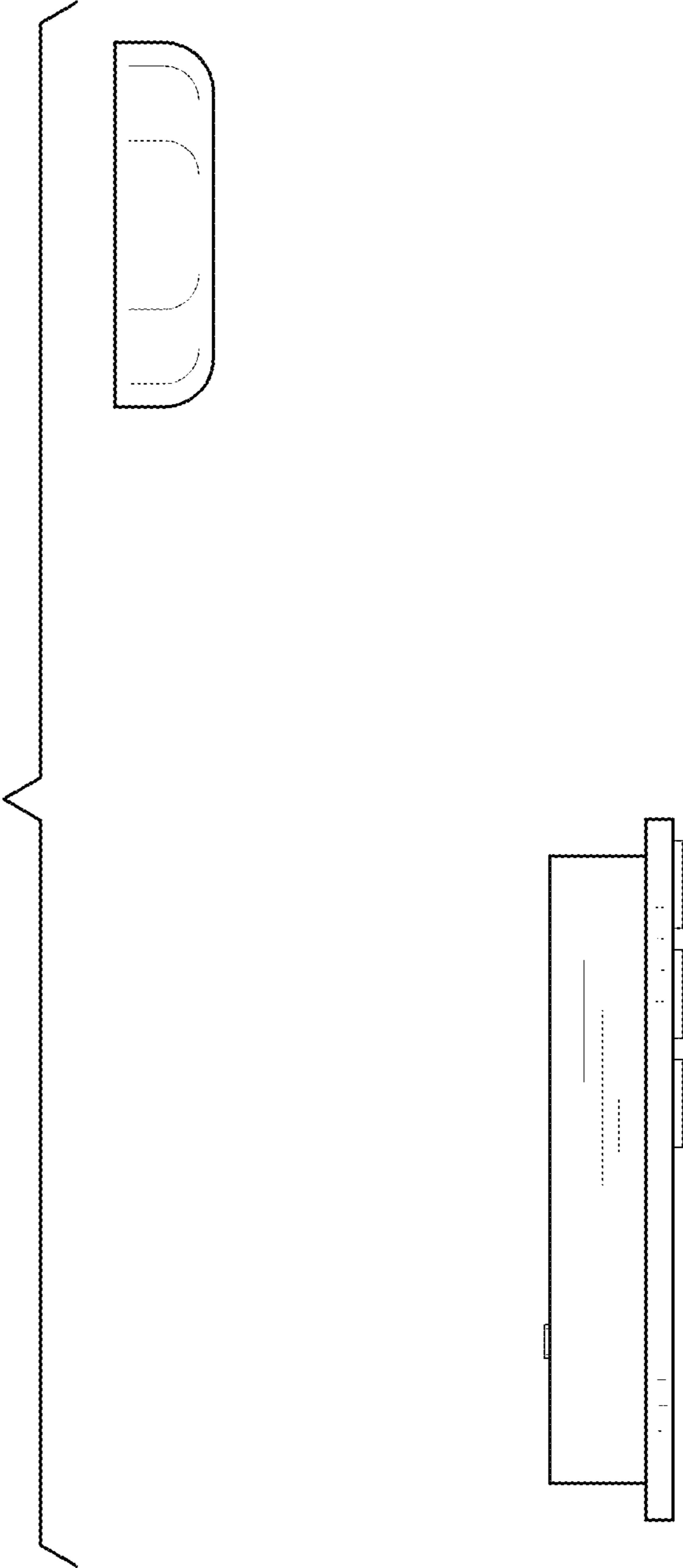


FIG. 4

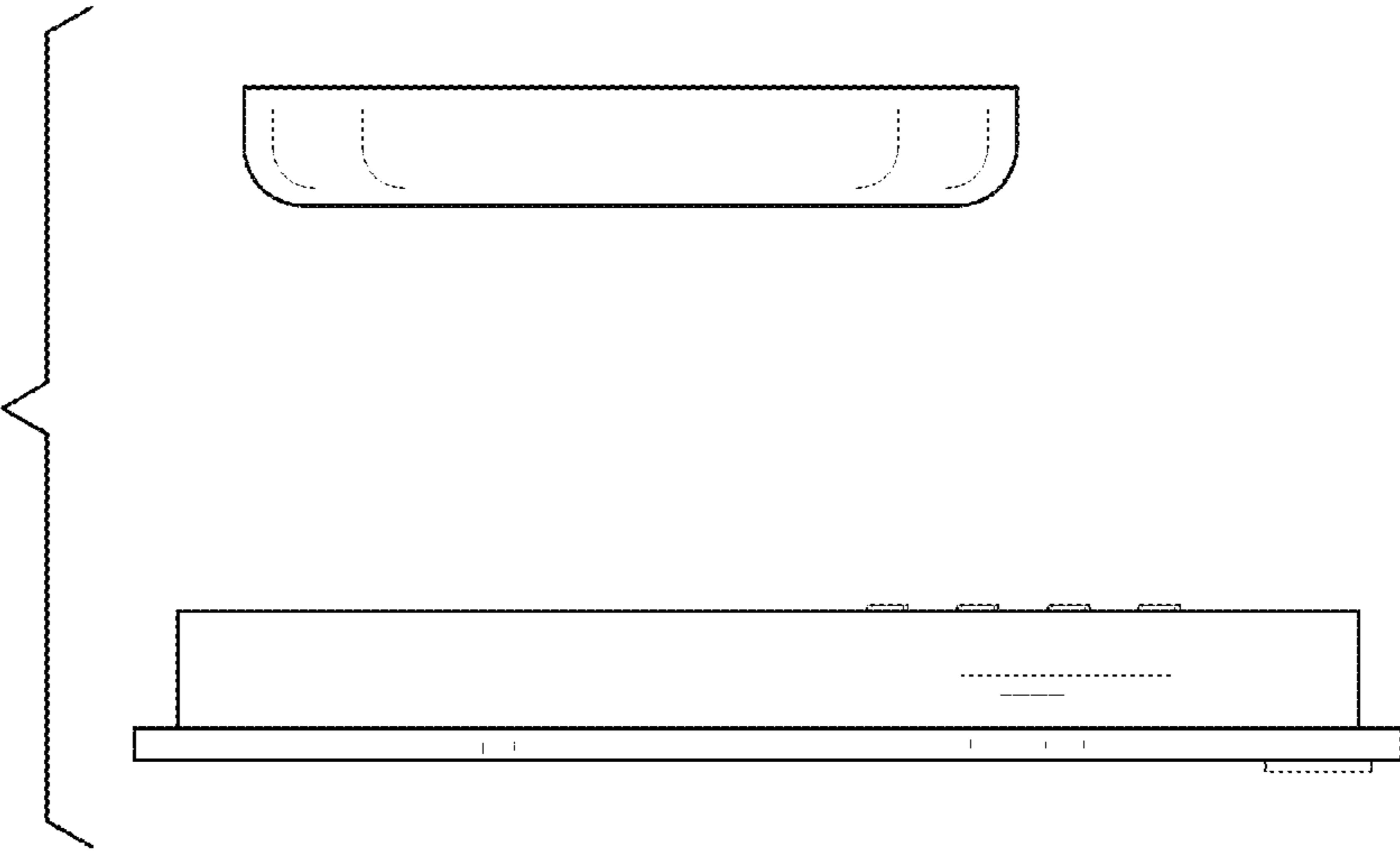


FIG. 5

