



US00D677235S

(12) **United States Design Patent**
Hibi

(10) **Patent No.:** **US D677,235 S**
(45) **Date of Patent:** **** Mar. 5, 2013**

(54) **MOBILE PHONE**

(75) Inventor: **Keita Hibi**, Tokyo (JP)

(73) Assignee: **Sony Mobile Communications AB**,
Lund (SE)

(**) Term: **14 Years**

(21) Appl. No.: **29/415,577**

(22) Filed: **Mar. 12, 2012**

(30) **Foreign Application Priority Data**

Sep. 29, 2011 (EM) 001924242-0001

(51) **LOC (9) Cl.** **14-03**

(52) **U.S. Cl.** **D14/138 G**

(58) **Field of Classification Search** D14/138 R,
D14/138 AD, 138 AC, 138 C, 138 G, 191,
D14/203.1-203.8, 496, 138 AA, 138 AB,
D14/137, 147, 218, 341-347, 247-248; D10/65,
D10/78, 104; D13/168; D18/7; 455/566,
455/575.1, 575.3, 575.4

See application file for complete search history.

(56) **References Cited**

U.S. PATENT DOCUMENTS

D541,785 S * 5/2007 Hwang et al. D14/138 G
D578,987 S * 10/2008 Lee et al. D14/138 AD
D580,393 S * 11/2008 Kim et al. D14/138 AD
D592,168 S * 5/2009 Bai et al. D14/138 G
D592,629 S * 5/2009 Bai et al. D14/138 AD
D594,840 S * 6/2009 Kim et al. D14/138 G
D598,426 S * 8/2009 Kim et al. D14/203.7
D605,158 S * 12/2009 Hung et al. D14/138 G
D613,722 S * 4/2010 Kaneta D14/138 G
D616,465 S * 5/2010 Jones et al. D14/496
D631,458 S * 1/2011 Liao et al. D14/138 G
D635,537 S 4/2011 Kim
D636,752 S 4/2011 Liao et al.
7,941,192 B2 * 5/2011 Mifune et al. 455/575.4
D646,661 S * 10/2011 Kim D14/138 AD
D647,501 S * 10/2011 Kim D14/138 G
D651,998 S 1/2012 Marsh
D654,464 S * 2/2012 Han D14/138 G

D654,903 S * 2/2012 Chung D14/138 AD
D656,474 S * 3/2012 Han D14/138 AD
D656,475 S * 3/2012 Han D14/138 G
D665,372 S * 8/2012 Park et al. D14/138 G
D665,763 S * 8/2012 Tsai et al. D14/138 G
D668,238 S * 10/2012 Kim D14/138 G
D669,875 S * 10/2012 Kim D14/138 G
D671,905 S * 12/2012 Mauritzson D14/138 G
2006/0111158 A1 * 5/2006 Hou 455/575.1
2011/0081953 A1 * 4/2011 Higuchi 455/566
2012/0214554 A1 * 8/2012 Kubodera 455/566

FOREIGN PATENT DOCUMENTS

JP D1431079 1/2012
JP D1446091 7/2012
TW D136767 9/2009
TW D138202 12/2010
TW D145383 2/2012

(Continued)

OTHER PUBLICATIONS

Sony Xperia P, announced Feb. 2012, [online], [retrieved on Mar. 15, 2012]. Retrieved from Internet ,<URL: http://www.gsmarena.com>.*

(Continued)

Primary Examiner — Bridget L Eland

(74) *Attorney, Agent, or Firm* — Renner, Otto, Boisselle & Sklar, LLP

(57) **CLAIM**

The ornamental design for a mobile phone, as shown and described.

DESCRIPTION

FIG. 1 is a perspective view of a mobile phone showing my design;

FIG. 2 is a front view thereof;

FIG. 3 is a rear view thereof;

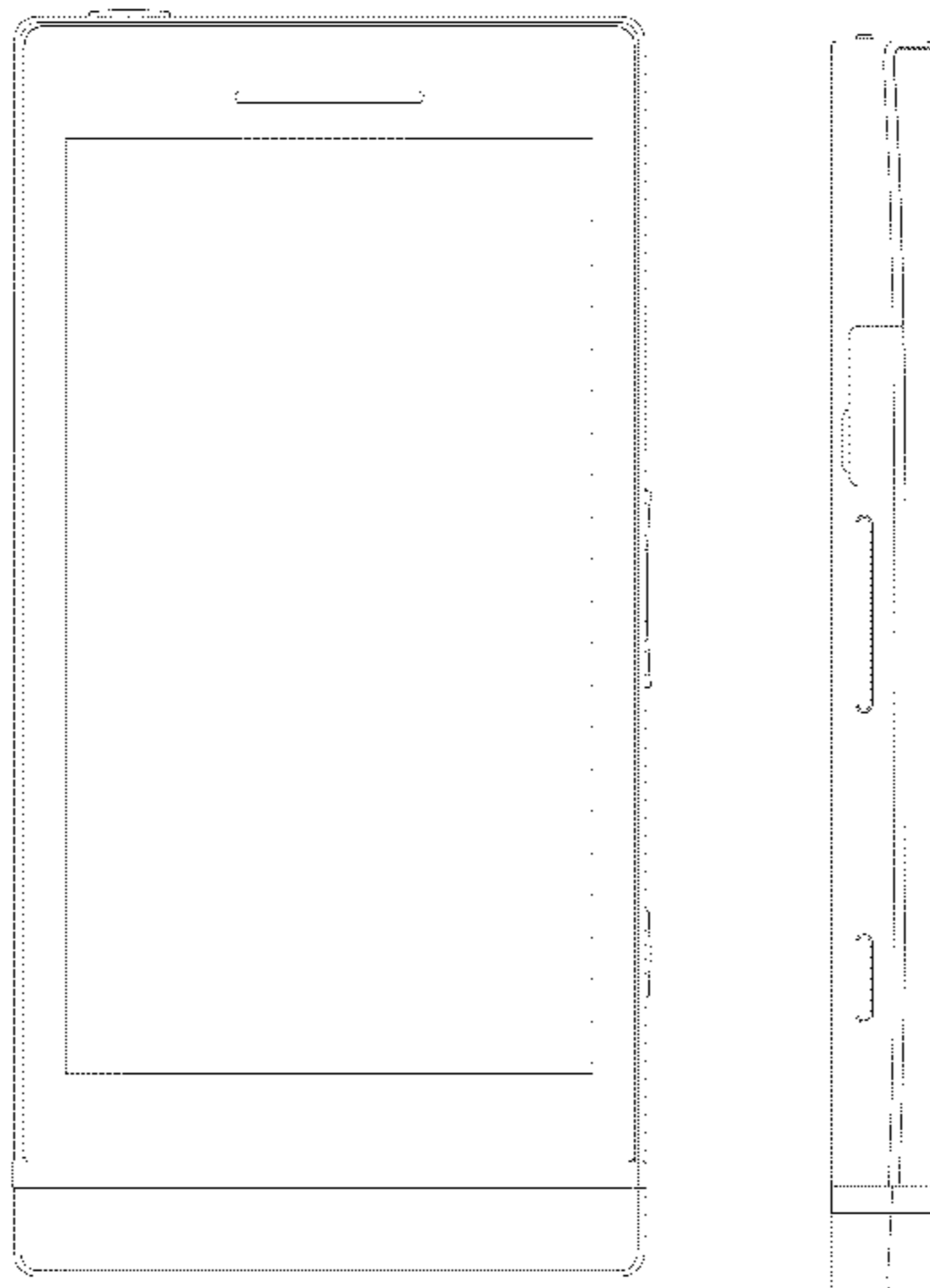
FIG. 4 is a right side view thereof;

FIG. 5 is a left side view thereof;

FIG. 6 is a top view thereof; and,

FIG. 7 is a bottom view thereof.

1 Claim, 3 Drawing Sheets



FOREIGN PATENT DOCUMENTS

TW D147757 6/2012

OTHER PUBLICATIONS

Sony Xperia S, announced Jan. 2012, [online], [retrieved on Feb. 3, 2012]. Retrieved from Internet ,<URL: <http://www.gsmarena.com>>.*

Sony Xperia U, announced Feb. 2012, [online], [retrieved on Mar. 15, 2012]. Retrieved from Internet ,<URL: <http://www.gsmarena.com>>.*

Sony Xperia sola, announced Mar. 2012, [online], [retrieved on Mar. 15, 2012]. Retrieved from Internet ,<URL: <http://www.gsmarena.com>>.*

Sony Xperia SL, announced Aug. 2012, [online], [retrieved on Aug. 22, 2012]. Retrieved from Internet ,<URL: <http://www.gsmarena.com>>.*

HTC Max 4G, announced Nov. 2008, [online], [retrieved on Nov. 14, 2008]. Retrieved from Internet ,<URL: <http://www.gsmarena.com>>.*

LG Optimus 4X HD P880, announced Feb. 2012, [online], [retrieved on Mar. 15, 2012]. Retrieved from Internet ,<URL: <http://www.gsmarena.com>>.*

LG Optimus L5 Dual E615, announced Aug. 2012, [online], [retrieved on Sep. 12, 2012]. Retrieved from Internet ,<URL: <http://www.gsmarena.com>>.*

* cited by examiner

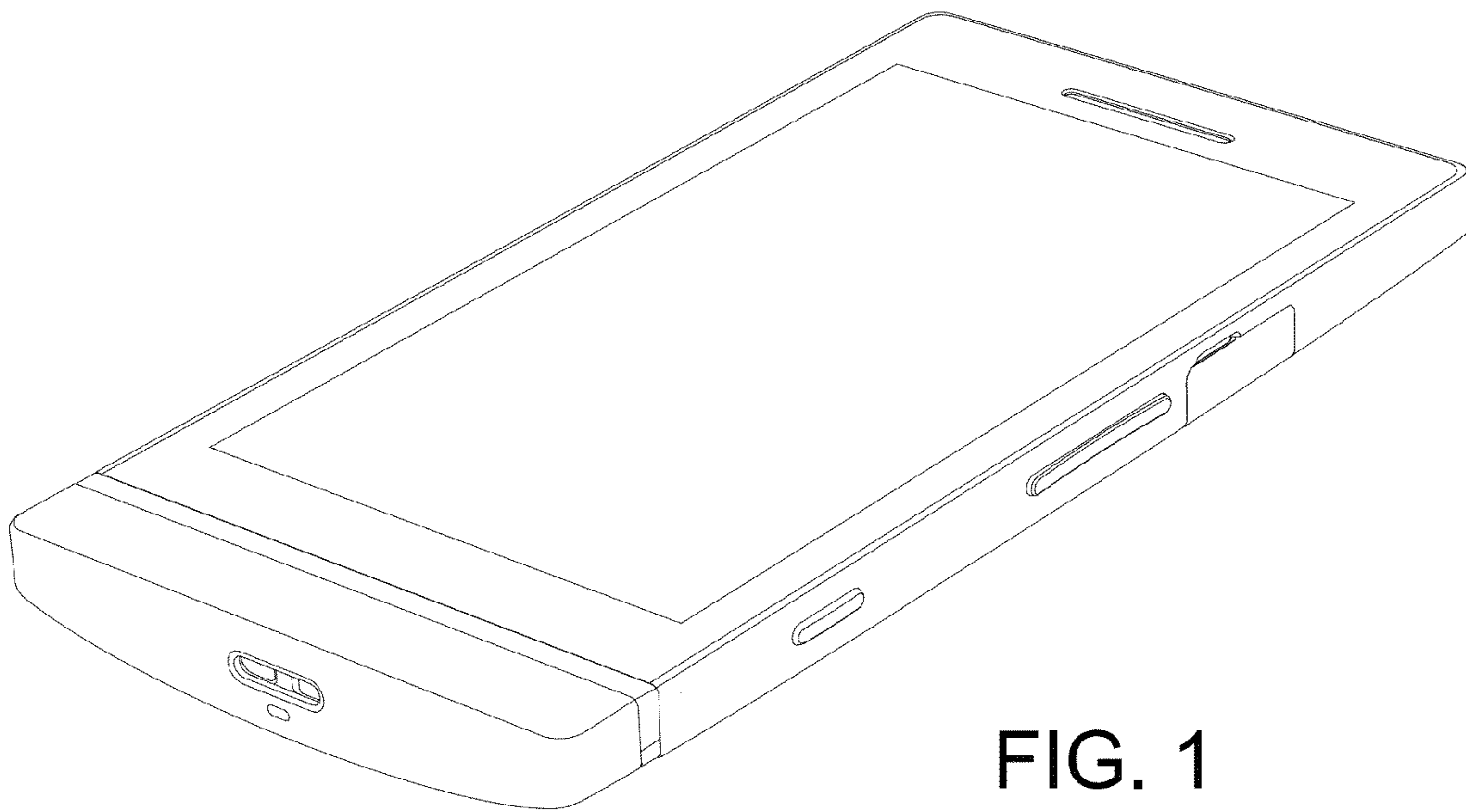


FIG. 1

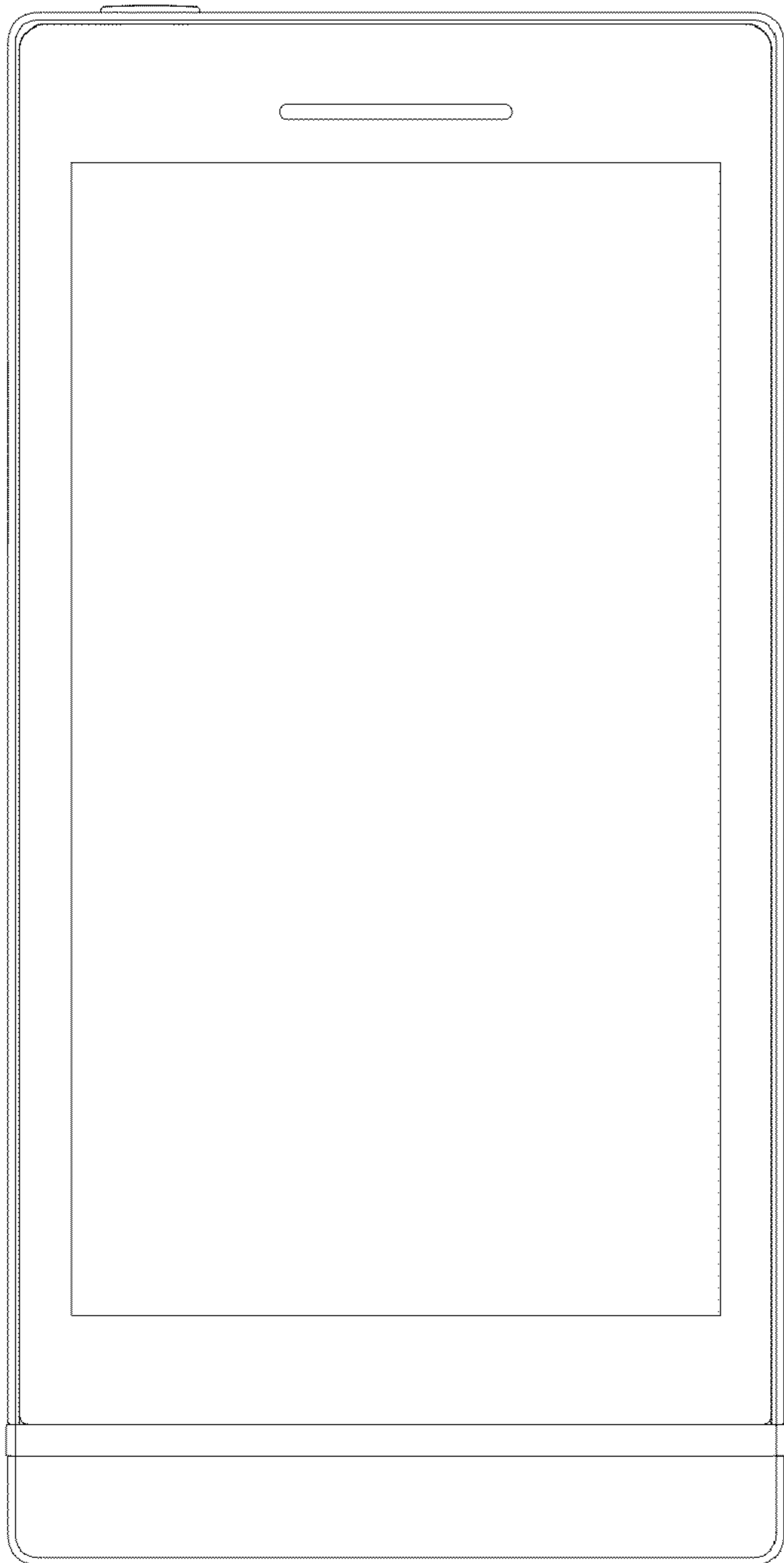


FIG. 2

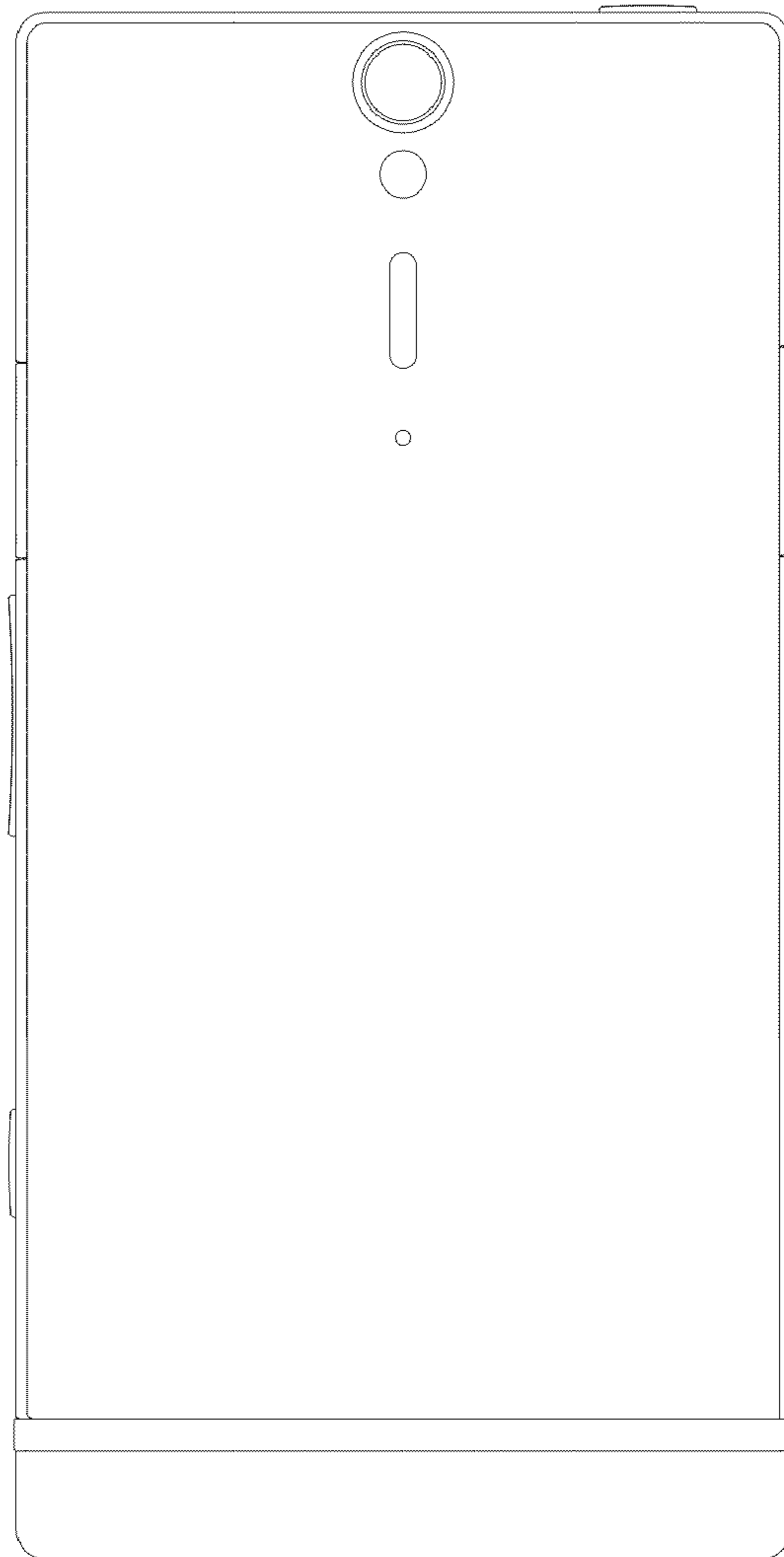


FIG. 3

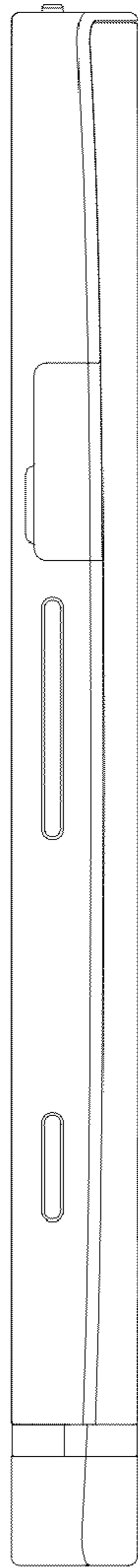


FIG. 4

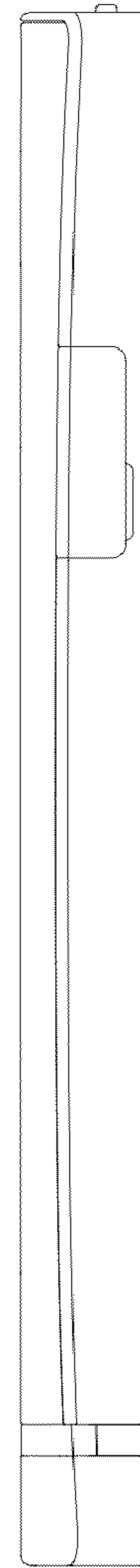


FIG. 5

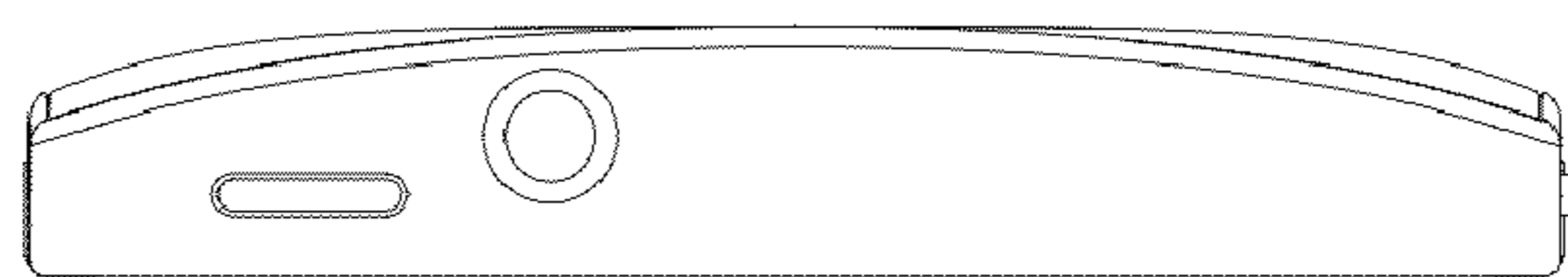


FIG. 6

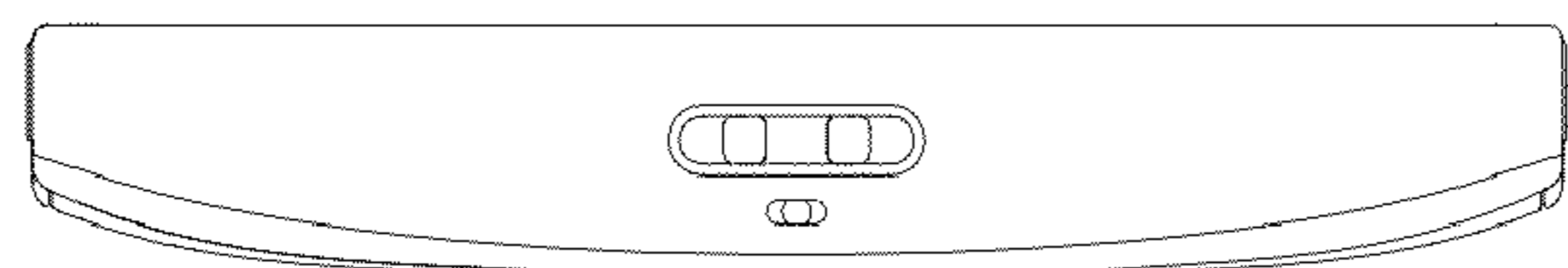


FIG. 7