



US00D677231S

(12) **United States Design Patent**  
**Behling**

(10) **Patent No.:** **US D677,231 S**

(45) **Date of Patent:** **\*\* Mar. 5, 2013**

(54) **TELEPHONE**

(75) Inventor: **Christoph Behling**, London (GB)

(73) Assignee: **LVMH Swiss Manufactures SA**, La Chaux-de-Fonds (CH)

(\*\*) Term: **14 Years**

(21) Appl. No.: **29/402,153**

(22) Filed: **Sep. 21, 2011**

(30) **Foreign Application Priority Data**

Mar. 24, 2011 (CH) ..... 595587701

(51) **LOC (9) Cl.** ..... **14-03**

(52) **U.S. Cl.** ..... **D14/138 G**

(58) **Field of Classification Search** ..... D14/138 G,  
D14/138 AD, 341, 346, 138 R, 138 AA, 138 AC,  
D14/138 C, 496, 203.1, 203.4, 203.7, 248,  
D14/218; 455/575.1, 556.2, 575.3, 575.4;  
D21/517; 379/433.01, 433.04; D10/65,  
D10/78, 104; D13/168

See application file for complete search history.

(56) **References Cited**

**U.S. PATENT DOCUMENTS**

D449,006 S \* 10/2001 Blauner et al. .... D10/30  
D461,175 S \* 8/2002 Yokota ..... D14/144  
D527,000 S \* 8/2006 Hong et al. .... D14/346  
D543,193 S \* 5/2007 Chung et al. .... D14/138 AD  
D548,713 S \* 8/2007 Lee et al. .... D14/138 AD  
D554,098 S \* 10/2007 Lee ..... D14/138 AD  
D562,795 S \* 2/2008 Nara ..... D14/138 AD  
D563,377 S \* 3/2008 Price et al. .... D14/138 AD  
D580,396 S \* 11/2008 Kang ..... D14/138 G  
D590,368 S \* 4/2009 Mezaki ..... D14/138 AD  
D611,942 S \* 3/2010 Kemery ..... D14/341  
D616,855 S \* 6/2010 Song et al. .... D14/138 AD  
D619,556 S \* 7/2010 Han et al. .... D14/138 G  
D619,985 S \* 7/2010 Choi et al. .... D14/138 G  
D622,250 S \* 8/2010 Kwon et al. .... D14/138 G  
D634,290 S \* 3/2011 Landwehr ..... D14/138 G  
D637,992 S \* 5/2011 Tom et al. .... D14/138 G  
D640,221 S \* 6/2011 Lee et al. .... D14/138 AD

D644,542 S \* 9/2011 Henne et al. .... D10/65  
D649,547 S \* 11/2011 Huang ..... D14/341  
D654,039 S \* 2/2012 Kim ..... D14/138 G  
D654,462 S \* 2/2012 Nara et al. .... D14/138 G  
D655,685 S \* 3/2012 Daniel ..... D14/138 AA  
D657,336 S \* 4/2012 Nilsen et al. .... D14/138 G  
2012/0154119 A1\* 6/2012 Schepps ..... 340/10.1

**OTHER PUBLICATIONS**

Nokia N8 telephone, announced Apr. 2010, [online], [site visited Sep. 26, 2011]. Available from Internet, <URL: [http://www.gsmarena.com/nokia\\_n8-3252.php](http://www.gsmarena.com/nokia_n8-3252.php)>.\*

Nokia 603 telephone, announced Oct. 2011, [online], [site visited Sep. 26, 2011]. Available from Internet, <URL: [http://www.gsmarena.com/nokia\\_603-4243.php](http://www.gsmarena.com/nokia_603-4243.php)>.\*

Pantech Crux telephone, announced Oct. 2010, [online], [site visited Sep. 26, 2011]. Available from Internet, <URL: [http://www.gsmarena.com/pantech\\_crux-3629.php](http://www.gsmarena.com/pantech_crux-3629.php)>.\*

T-Mobile Sidekick LX 2009 telephone, announced Apr. 2009, [online], [site visited Sep. 26, 2011]. Available from Internet, <URL: [http://www.gsmarena.com/t\\_mobile\\_sidekick\\_lx\\_2009-2787.php](http://www.gsmarena.com/t_mobile_sidekick_lx_2009-2787.php)>.\*

(Continued)

*Primary Examiner* — Jeffrey D Asch

(74) *Attorney, Agent, or Firm* — Mark S. Leonardo; Brown Rudnick LLP

(57) **CLAIM**

The ornamental design for a telephone, as shown and described.

**DESCRIPTION**

FIG. 1 illustrates a perspective view of a telephone employing an ornamental design in accordance with the present invention;

FIG. 2 illustrates a front view of the telephone of FIG. 1;

FIG. 3 illustrates a back view of the telephone of FIG. 1;

FIG. 4 illustrates a left side view of the telephone of FIG. 1;

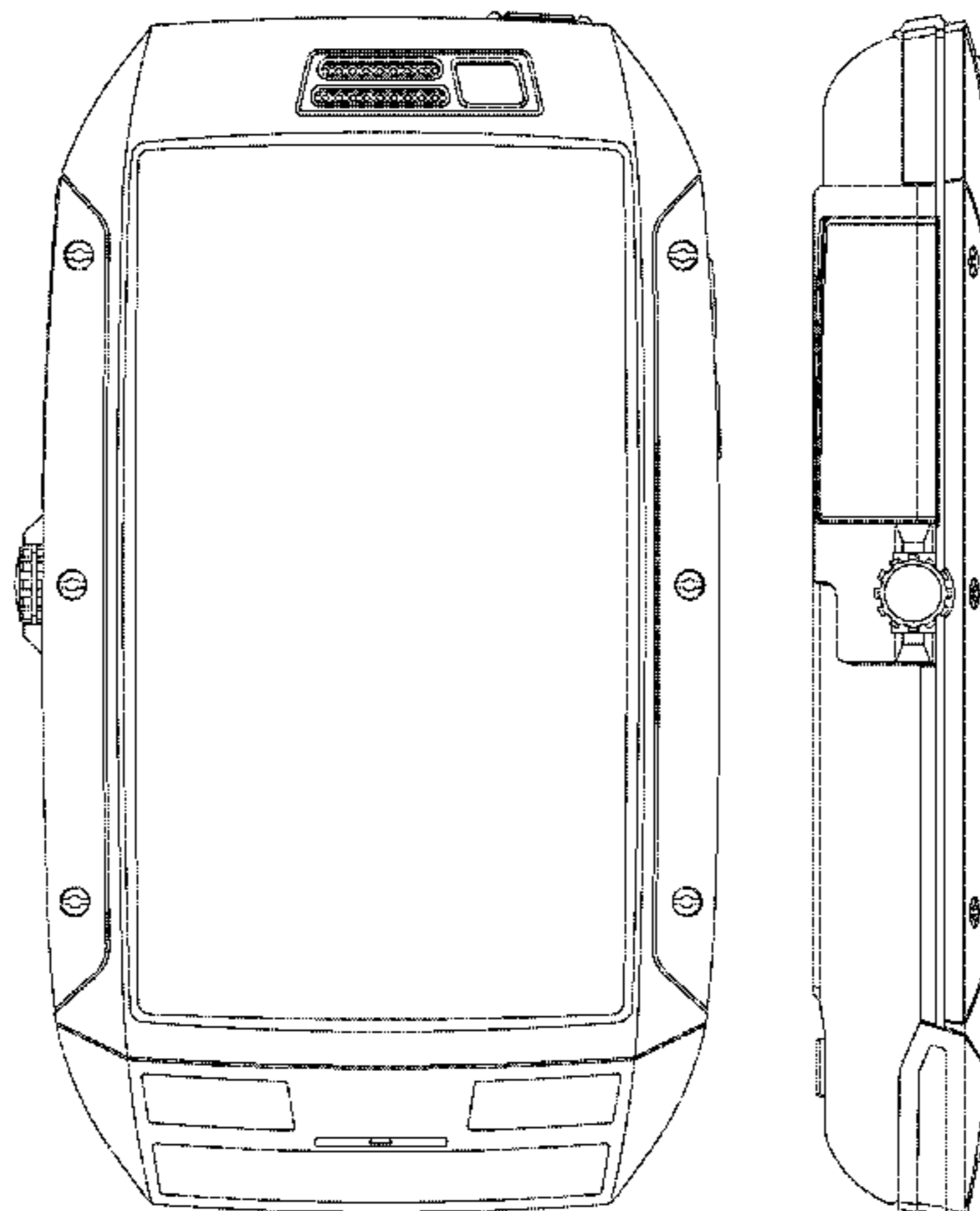
FIG. 5 illustrates a right side view of the telephone of FIG. 1;

FIG. 6 illustrates a top plan view of the telephone of FIG. 1;

and,

FIG. 7 illustrates a bottom plan view of the telephone of FIG. 1.

**1 Claim, 7 Drawing Sheets**



OTHER PUBLICATIONS

LG US760 Genesis telephone, announced May 2011, [online], [site visited Sep. 26, 2011]. Available from Internet, <URL: [http://www.gsmarena.com/lg\\_us760\\_genesis-4033.php](http://www.gsmarena.com/lg_us760_genesis-4033.php)>.\*

Nokia X7-00 telephone, announced Apr. 2011, [online], [site visited Sep. 26, 2011]. Available from Internet, <URL: [http://www.gsmarena.com/nokia\\_x7\\_00-3664.php](http://www.gsmarena.com/nokia_x7_00-3664.php)>.\*

\* cited by examiner

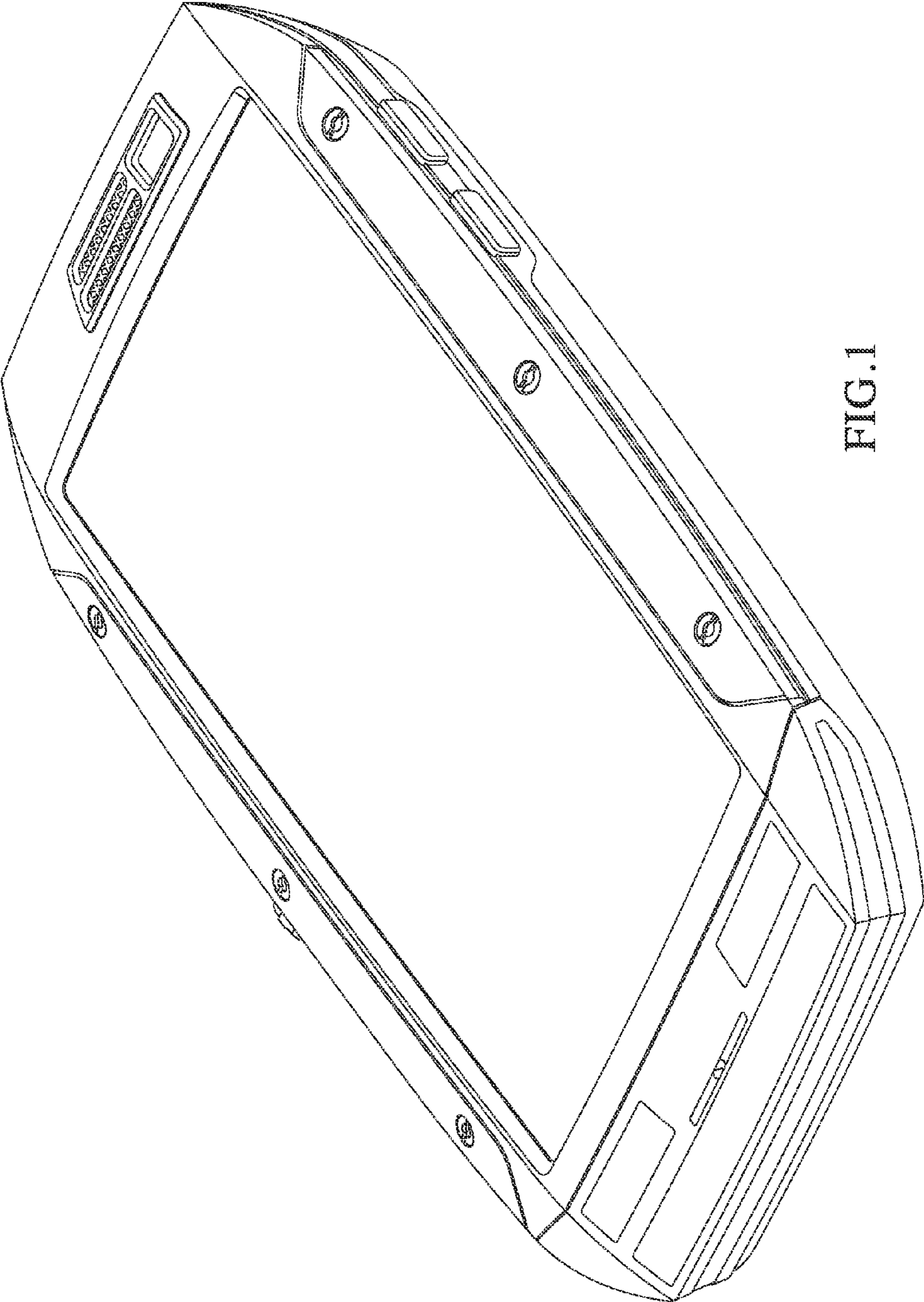


FIG. 1

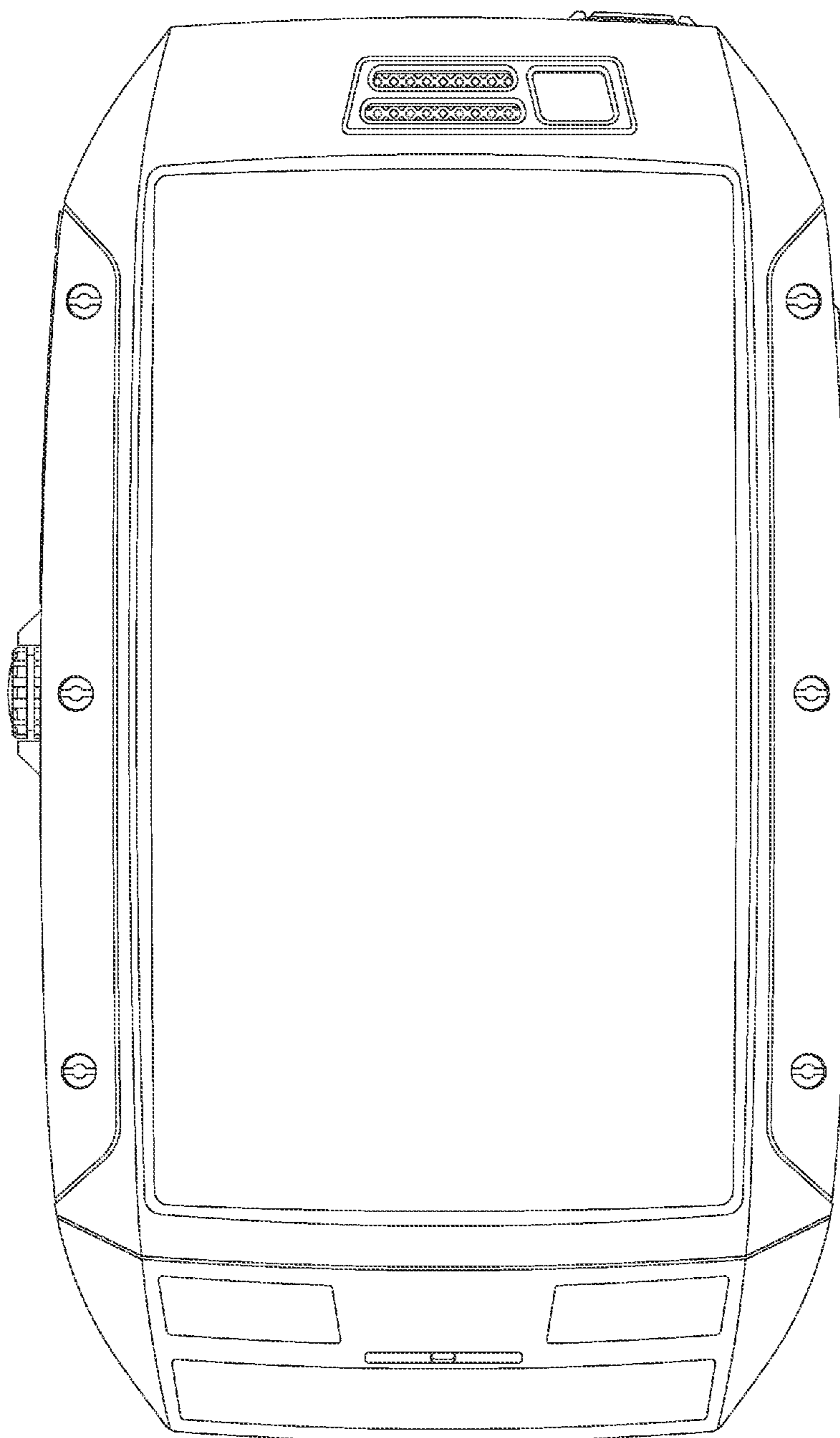


FIG.2



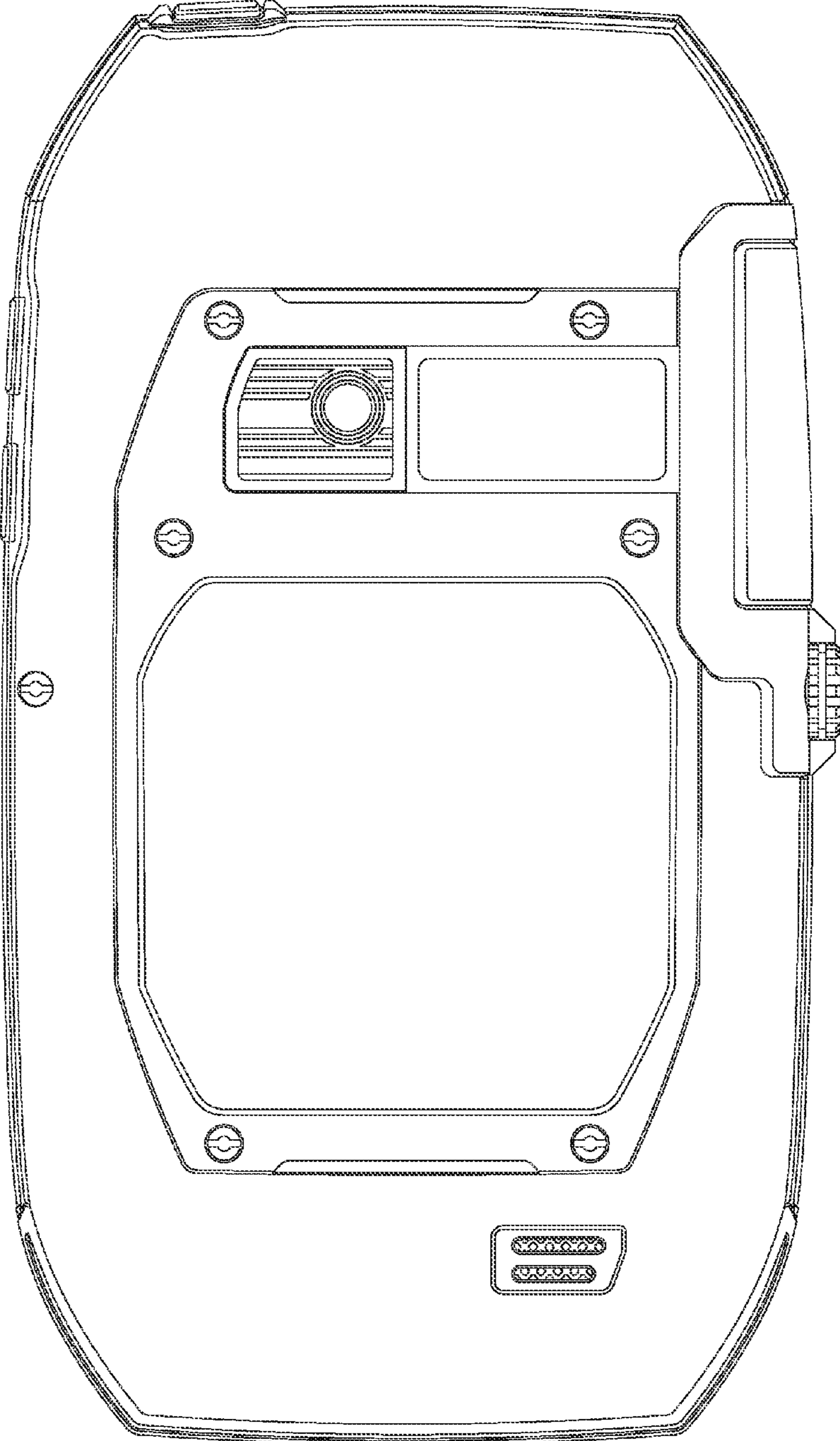


FIG.3

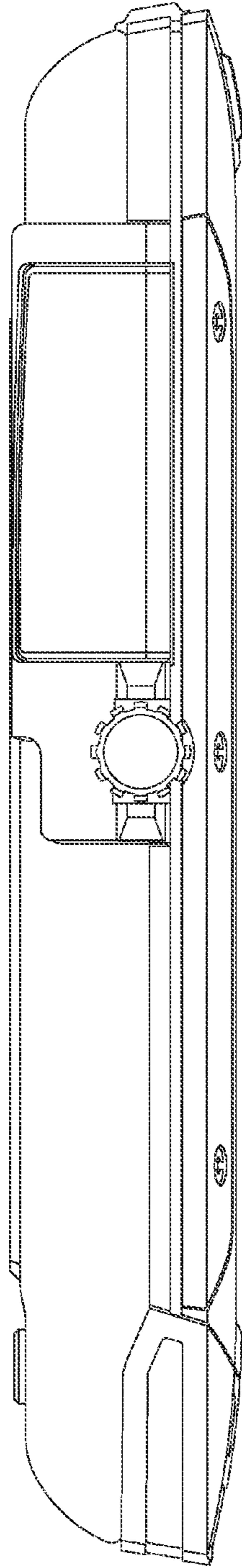


FIG.4

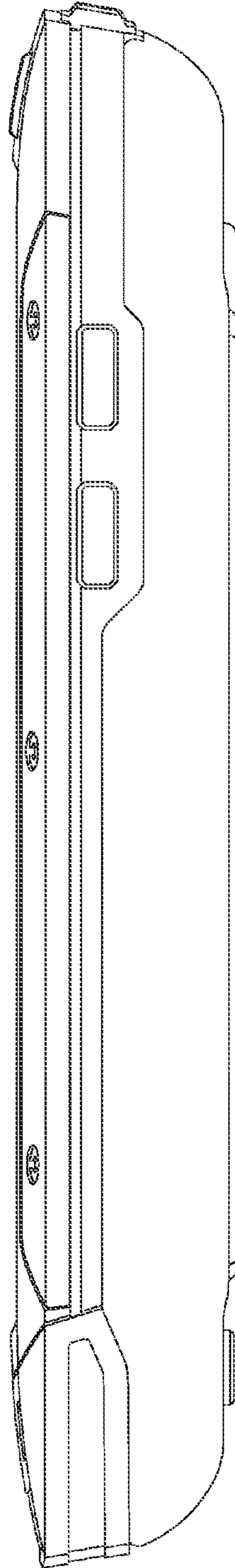


FIG.5

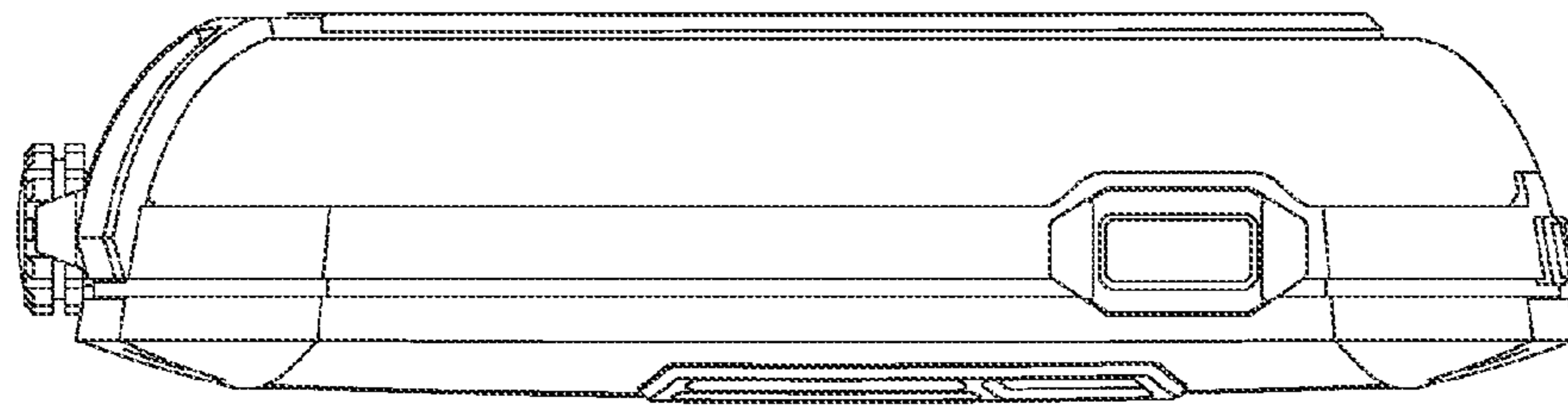


FIG.6



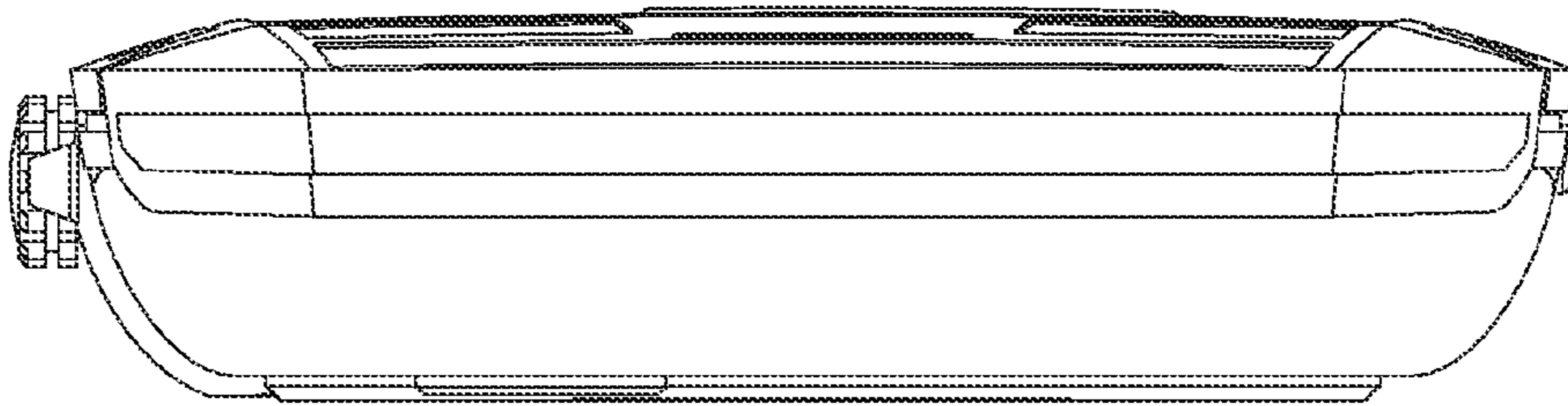


FIG.7