



US00D677229S

(12) **United States Design Patent**
Miyoshi

(10) **Patent No.:** **US D677,229 S**
(45) **Date of Patent:** **** Mar. 5, 2013**

- (54) **LIGHT EMITTING DIODE**
- (75) Inventor: **Tomonori Miyoshi**, Anan (JP)
- (73) Assignee: **Nichia Corporation** (JP)
- (**) Term: **14 Years**
- (21) Appl. No.: **29/418,151**
- (22) Filed: **Apr. 12, 2012**

Related U.S. Application Data

- (62) Division of application No. 29/362,717, filed on May 28, 2010, now Pat. No. Des. 660,811.

(30) **Foreign Application Priority Data**

- Nov. 30, 2009 (JP) 2009-027808
- Nov. 30, 2009 (JP) 2009-027809

- (51) **LOC (9) Cl.** **13-03**
 - (52) **U.S. Cl.** **D13/180**
 - (58) **Field of Classification Search** D13/180;
D26/1, 2; 257/79, 80, 81, 88, 89, 95, 98,
257/99, 100, E33.058; 313/483, 498, 500;
362/555, 800
- See application file for complete search history.

(56) **References Cited**

U.S. PATENT DOCUMENTS

D42,949 S	8/1912	Perkins	
D339,349 S	9/1993	Hayasaka et al.	
D352,504 S	11/1994	Scheid et al.	
D355,360 S	2/1995	Mund et al.	
D375,743 S	11/1996	Nishii et al.	
D387,982 S	12/1997	Kaplan	
5,815,252 A	9/1998	Price-Francis	
6,705,530 B2	3/2004	Kiekhaefer	
7,268,697 B2	9/2007	Hall et al.	
D566,665 S	4/2008	Liao et al.	
D575,245 S	8/2008	Yen	
D591,248 S	4/2009	Imai et al.	
D622,955 S	9/2010	Mudrick et al.	
D625,694 S	10/2010	Morikawa et al.	
D647,492 S *	10/2011	Imai et al.	D13/180
D658,601 S *	5/2012	Egawa et al.	D13/180
D658,602 S *	5/2012	Egawa et al.	D13/180

D660,811 S *	5/2012	Miyoshi	D13/180
2007/0069010 A1	3/2007	Mestres et al.	
2011/0254022 A1 *	10/2011	Sasano	257/88

FOREIGN PATENT DOCUMENTS

JP	D1339025	9/2008
JP	D1339026	9/2008
JP	D1339027	9/2008
JP	D1339028	9/2008
JP	D1383248	3/2010
JP	D1383249	3/2010

* cited by examiner

Primary Examiner — Selina Sikder

(74) *Attorney, Agent, or Firm* — SAIDMAN DesignLaw Group

(57) **CLAIM**

The ornamental design for a light emitting diode, as shown and described.

DESCRIPTION

FIG. 1 is a front, bottom, right side perspective view of a first embodiment of a light emitting diode showing my new design;

FIG. 2 is a front elevational view thereof;

FIG. 3 is a rear elevational view thereof;

FIG. 4 is a top plan view thereof;

FIG. 5 is a bottom plan view thereof;

FIG. 6 is a left side elevational view thereof, the right side view being a mirror image thereof;

FIG. 7 is a front, bottom, right side perspective view of a second embodiment of a light emitting diode showing my new design;

FIG. 8 is a front elevational view thereof;

FIG. 9 is a rear elevational view thereof;

FIG. 10 is a top plan view thereof;

FIG. 11 is a bottom plan view thereof; and,

FIG. 12 is a left side elevational view thereof, the right side view being a mirror image thereof.

The embodiments illustrate two L-shaped electrodes. The electrodes are made by plating onto the substrate and are thus very thin. As a result, they do not appear in the top, bottom, left side and right side views.

The broken lines are for the purpose of illustrating portions of the light emitting diode and form no part of the claimed design.

1 Claim, 10 Drawing Sheets

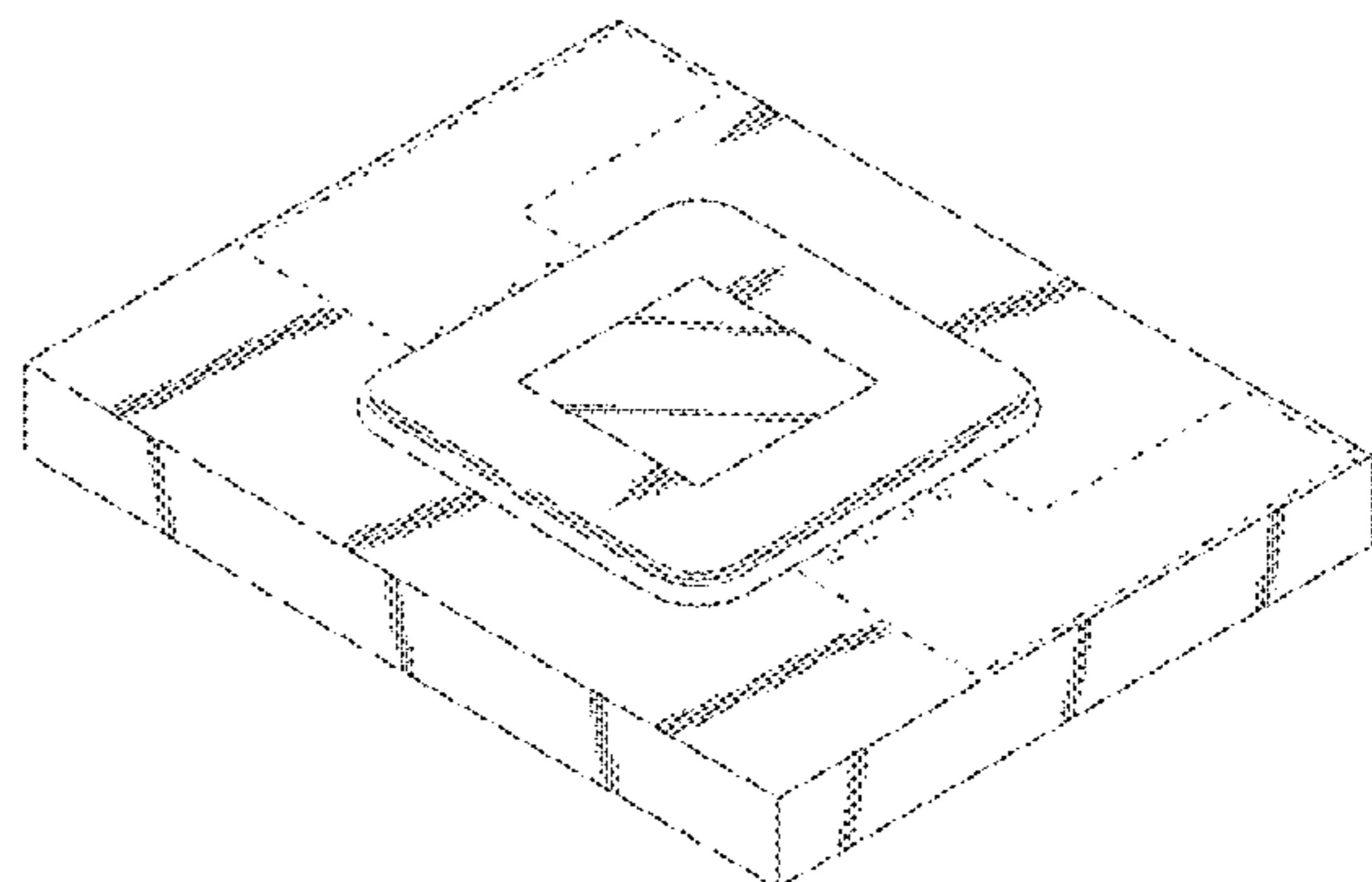
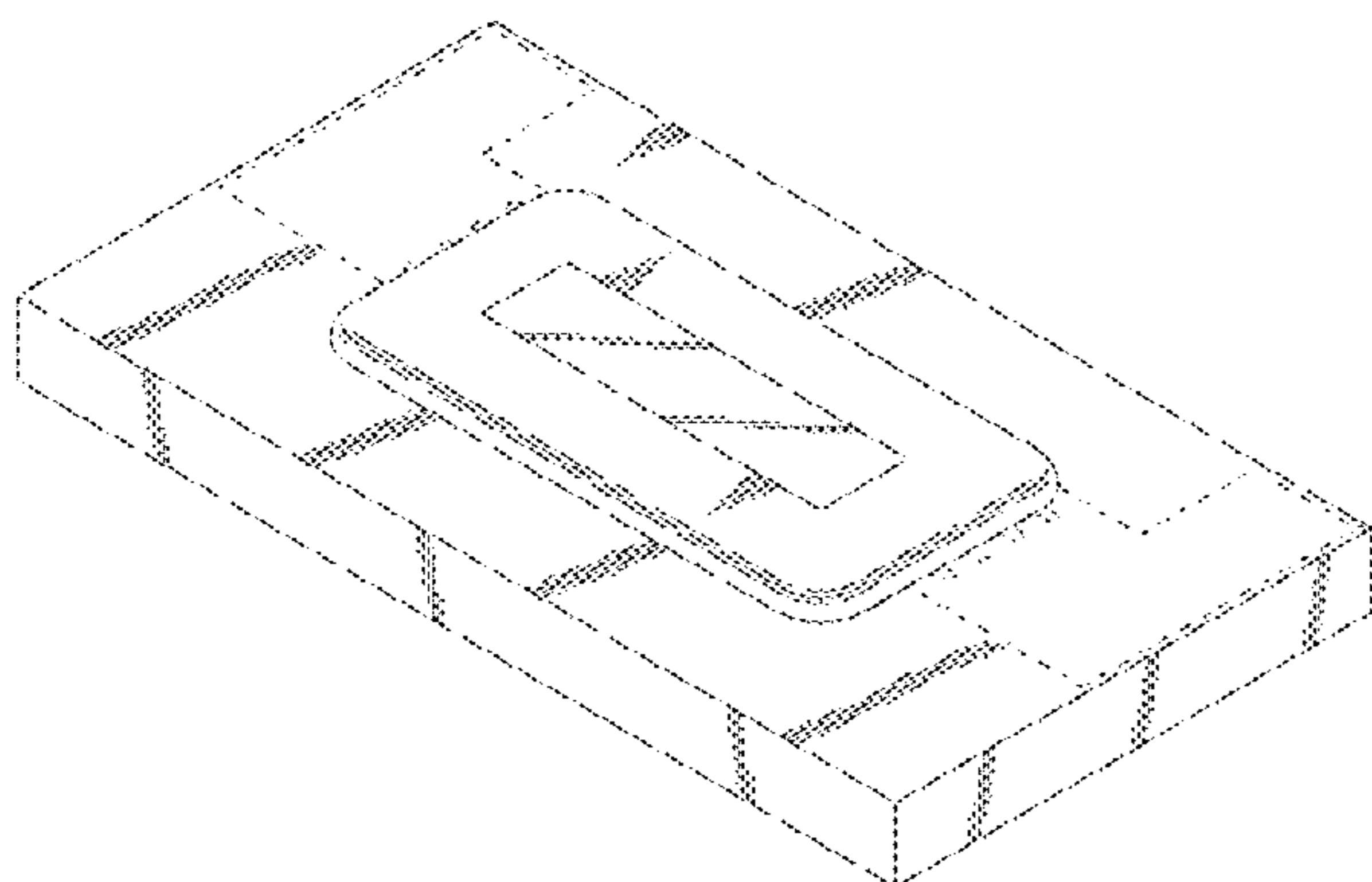


FIG.2

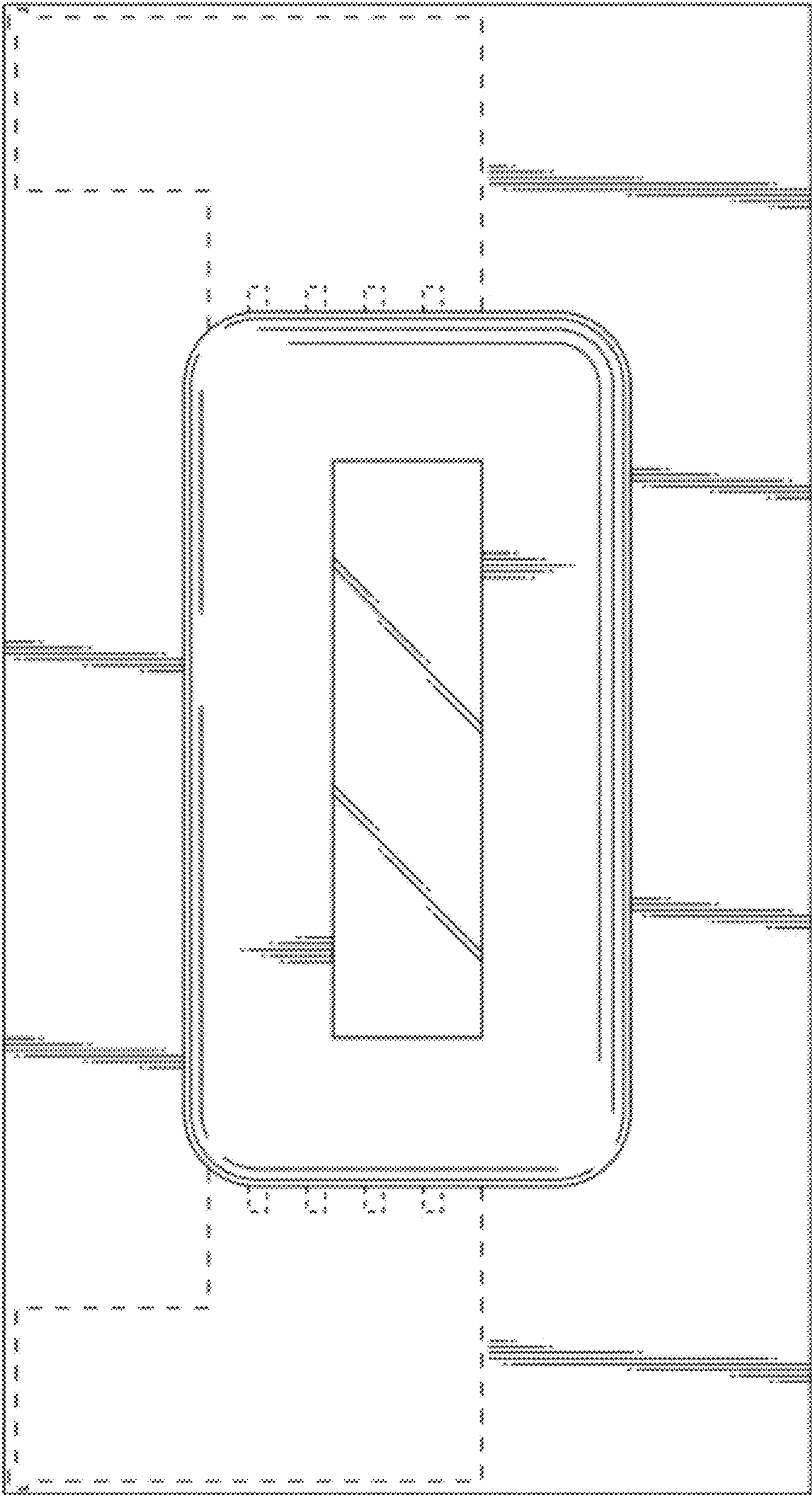


FIG. 3

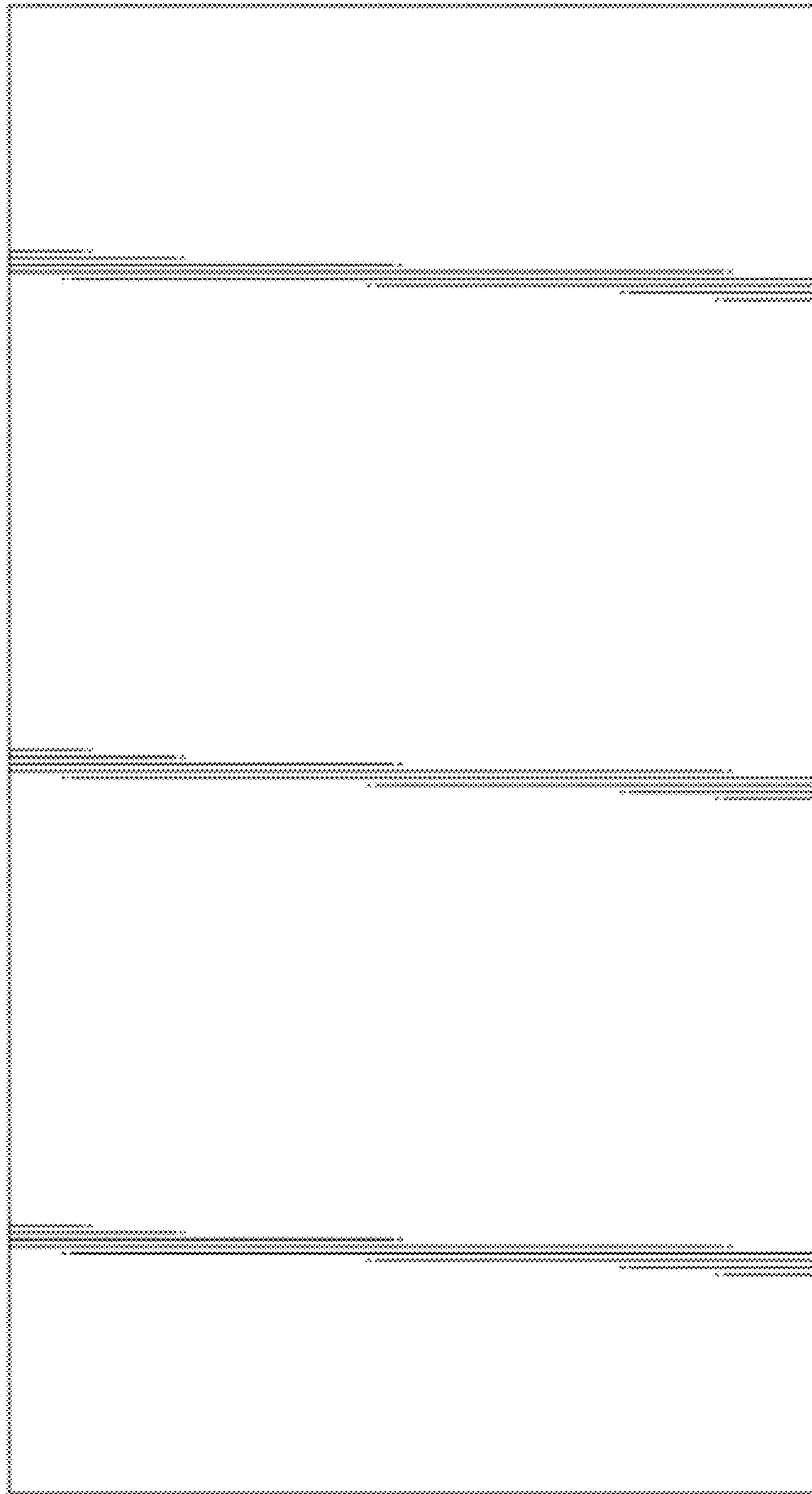


FIG.4

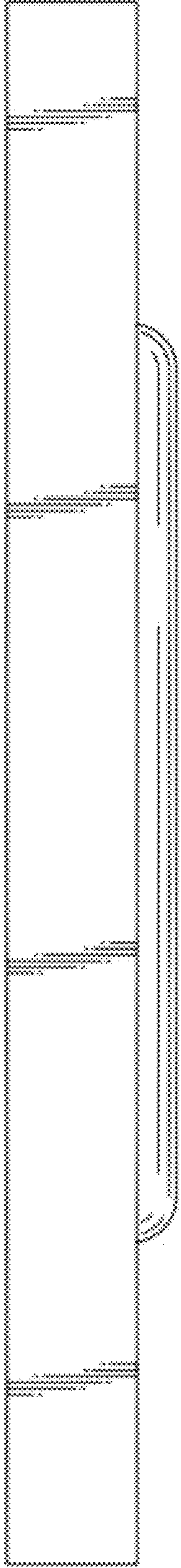


FIG.5

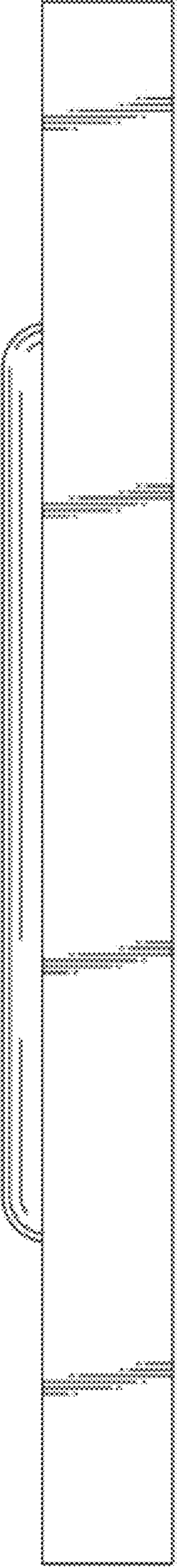


FIG. 6

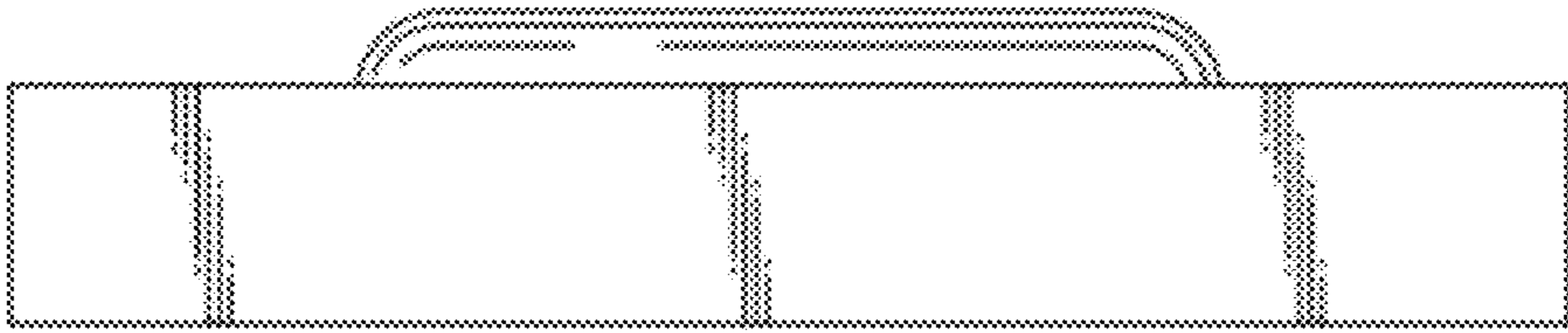


FIG. 7

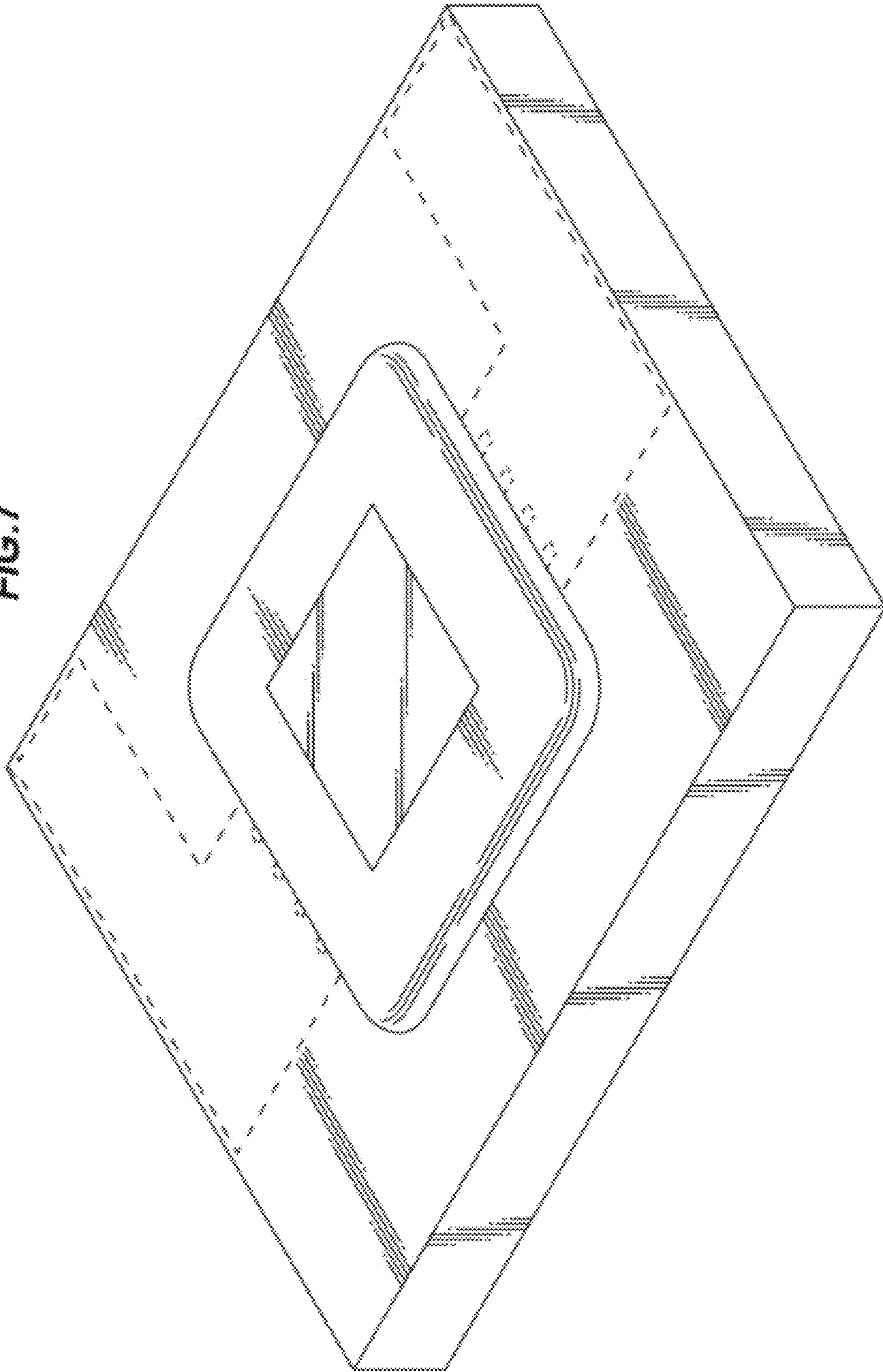


FIG. 8

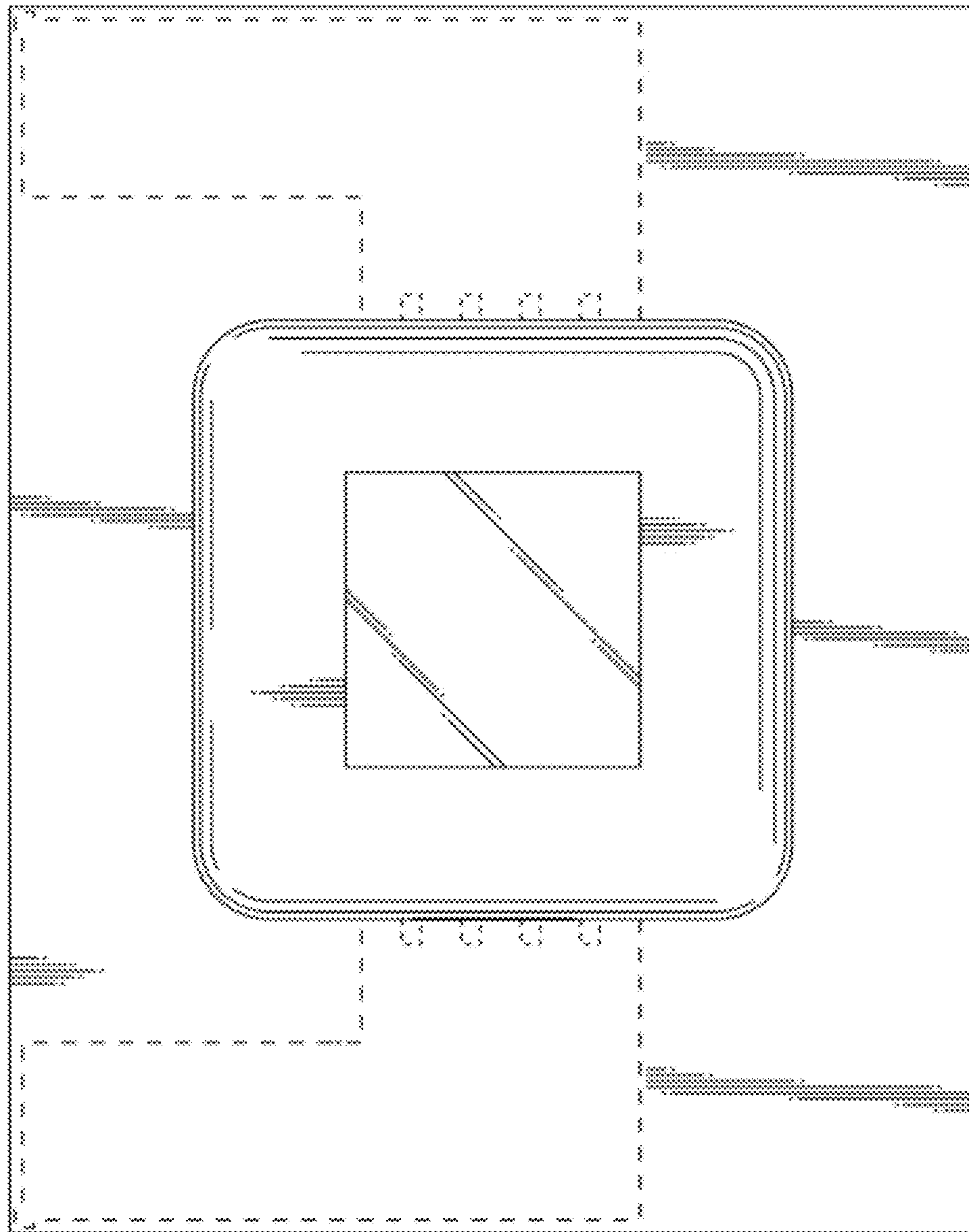


FIG. 9

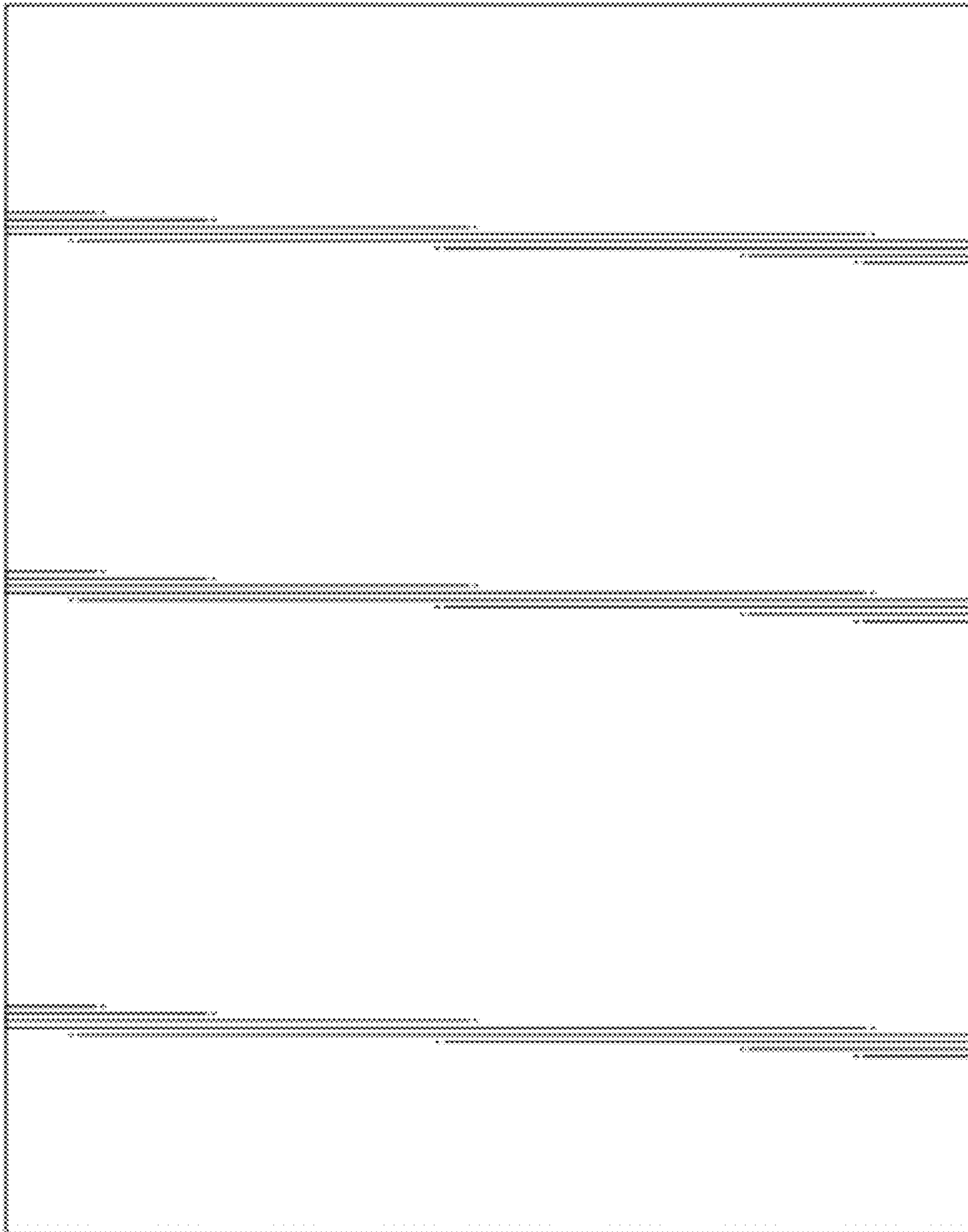


FIG. 10

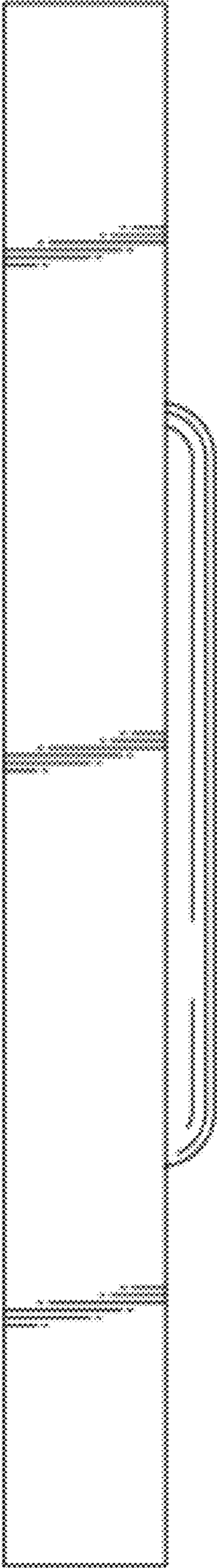


FIG. 11

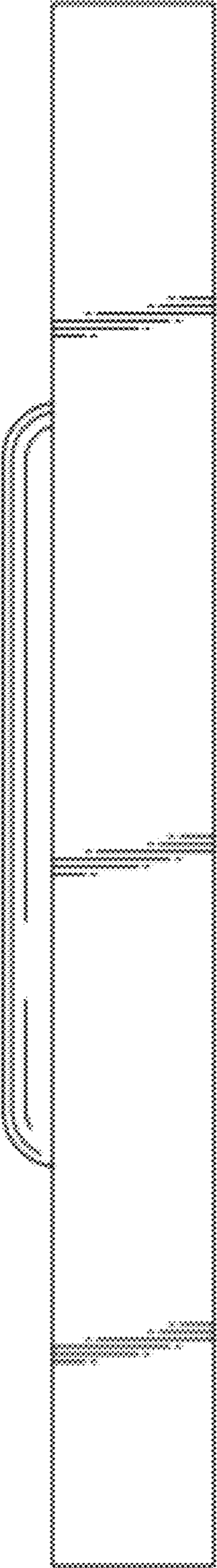


FIG. 12

