



US00D677227S

(12) **United States Design Patent**  
**Petroski**

(10) **Patent No.:** **US D677,227 S**  
(45) **Date of Patent:** **\*\* Mar. 5, 2013**

(54) **HEAT SINK FOR LED LIGHT BULB**

(75) Inventor: **James T. Petroski**, Parma, OH (US)

(73) Assignee: **GrafTech International Holdings Inc.**,  
Parma, OH (US)

(\*\*) Term: **14 Years**

(21) Appl. No.: **29/388,101**

(22) Filed: **Mar. 24, 2011**

(51) **LOC (9) Cl.** ..... **13-03**

(52) **U.S. Cl.** ..... **D13/179**

(58) **Field of Classification Search** ..... D13/179;  
165/80.3, 104.26, 104.33, 122, 151, 185;  
257/706, 707, 718-722; 361/695, 697, 700,  
361/702, 704, 709, 710, 711, 719; 362/294;  
313/46, 52

See application file for complete search history.

(56) **References Cited**

U.S. PATENT DOCUMENTS

3,023,264	A *	2/1962	Allison	.....	174/395
6,787,999	B2 *	9/2004	Stimac et al.	.....	315/51
6,816,374	B2 *	11/2004	Patel et al.	.....	361/697

7,553,047	B2 *	6/2009	Shin et al.	.....	362/294
D616,381	S *	5/2010	Chang et al.	.....	D13/179
7,862,210	B2 *	1/2011	Zhang et al.	.....	362/294
D634,279	S *	3/2011	Chua et al.	.....	D13/179
D634,281	S *	3/2011	Chua et al.	.....	D13/179
8,226,272	B2 *	7/2012	Chen	.....	362/294
2011/0019409	A1 *	1/2011	Wronski	.....	362/235
2011/0063843	A1 *	3/2011	Cook	.....	362/249.02
2011/0080726	A1 *	4/2011	Zhang et al.	.....	362/235
2011/0215696	A1 *	9/2011	Tong et al.	.....	313/46
2012/0212957	A1 *	8/2012	Hyun et al.	.....	362/241

\* cited by examiner

*Primary Examiner* — Selina Sikder

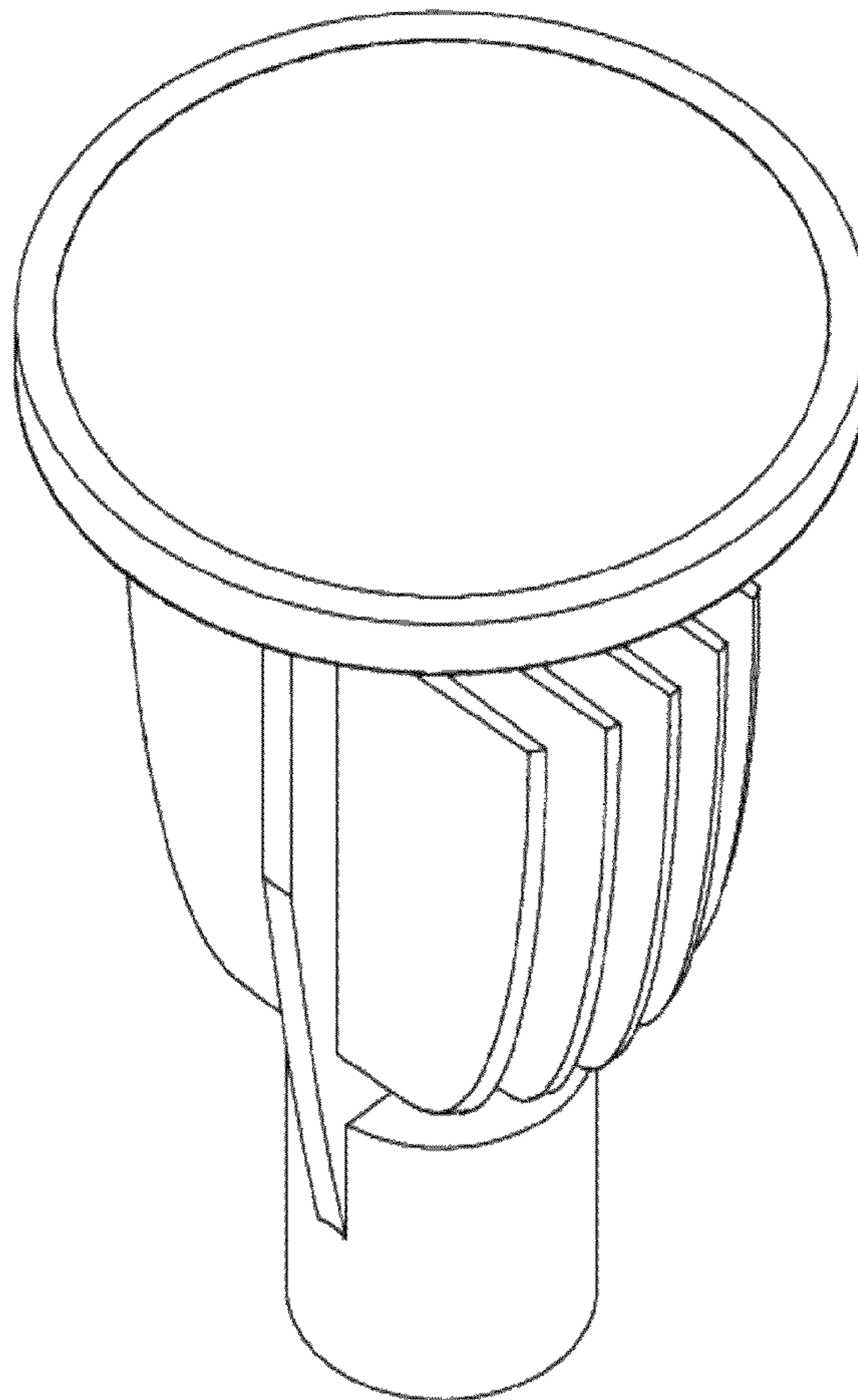
(57) **CLAIM**

The ornamental design of a heat sink for LED light bulb, as shown and described.

**DESCRIPTION**

FIG. 1 is a perspective view of a heat sink for an LED light bulb showing our design;  
FIG. 2 is a front view thereof;  
FIG. 3 is a side view thereof;  
FIG. 4 is a top view thereof; and,  
FIG. 5 is a bottom view thereof.

**1 Claim, 2 Drawing Sheets**



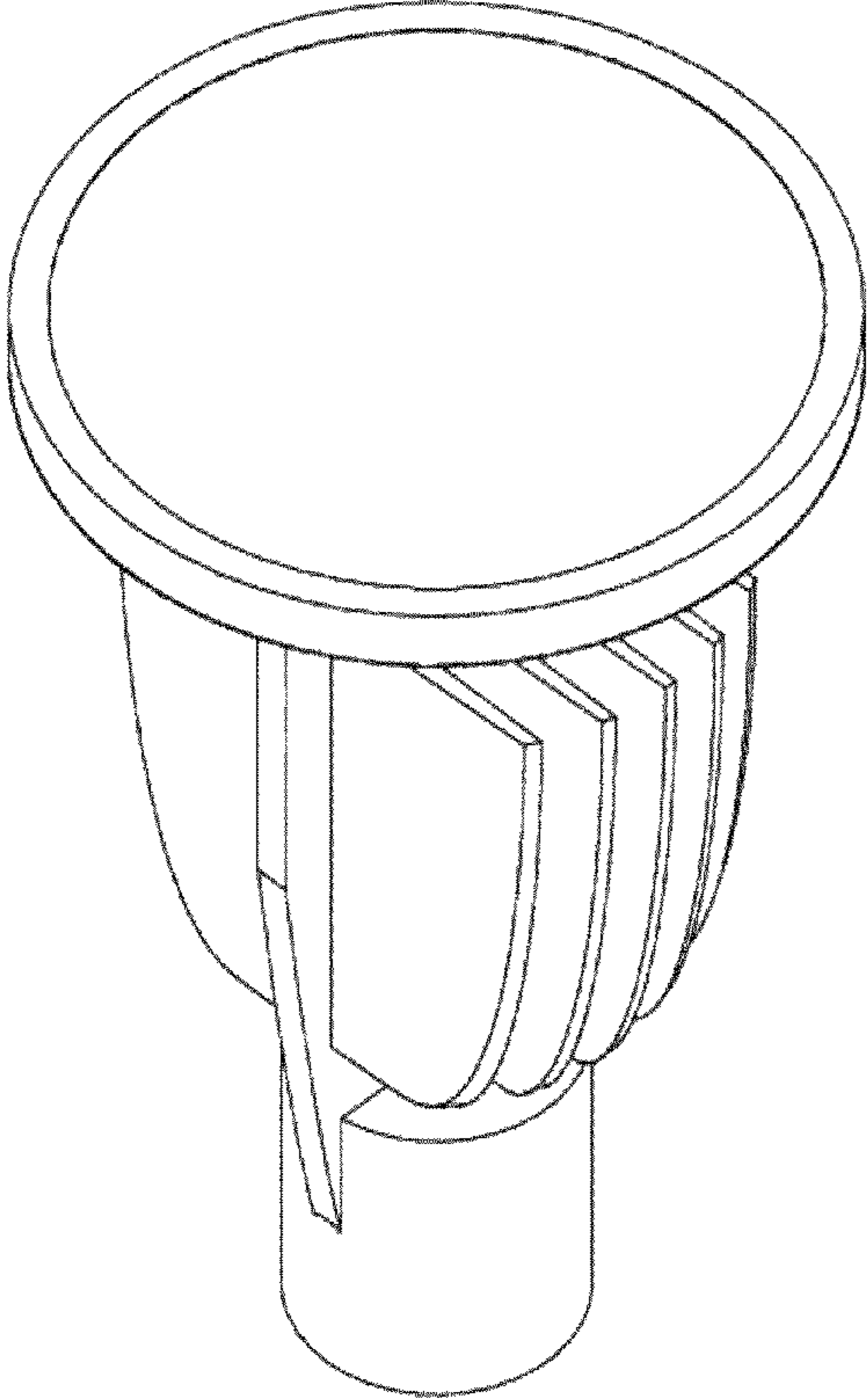


FIG. 1

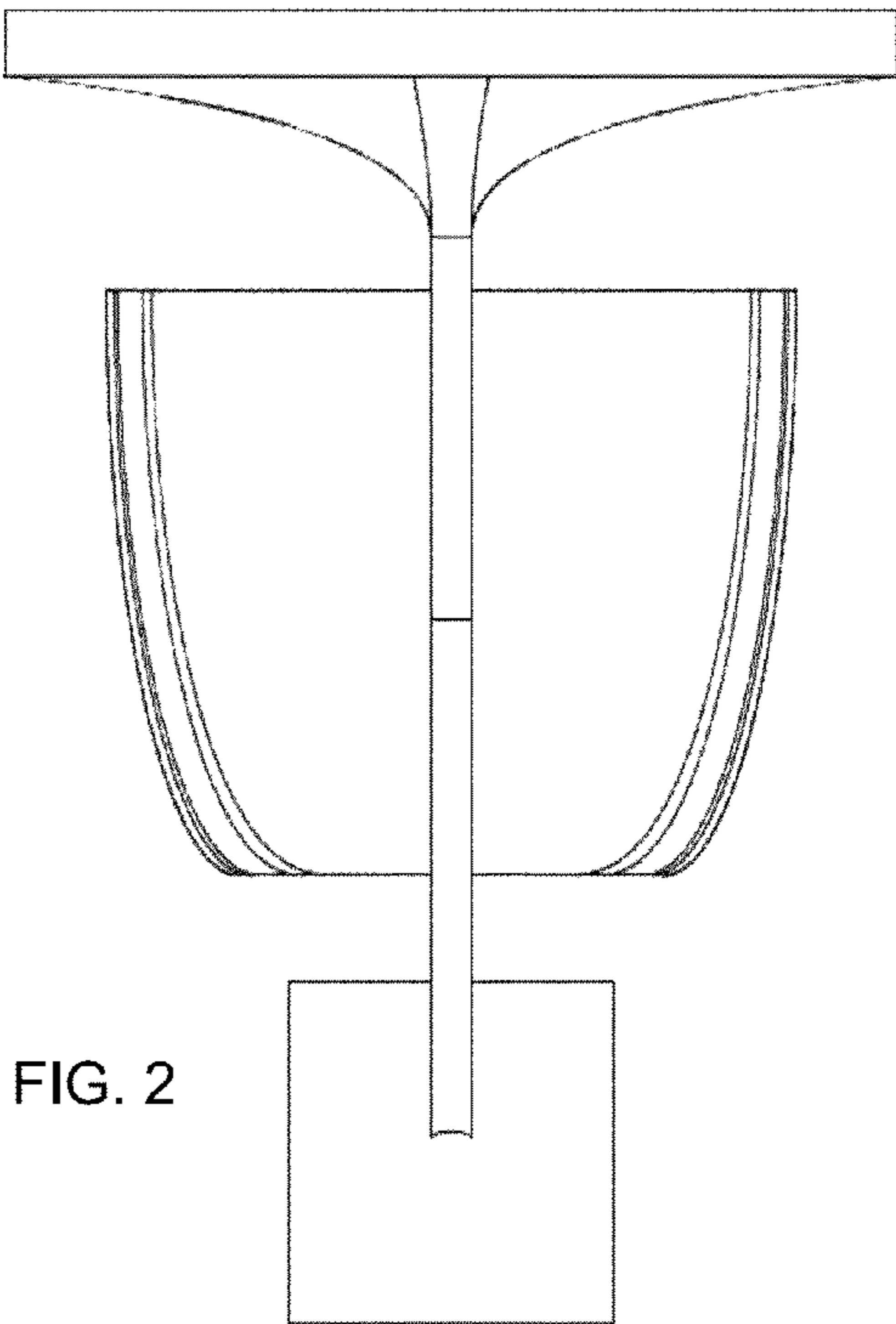


FIG. 2

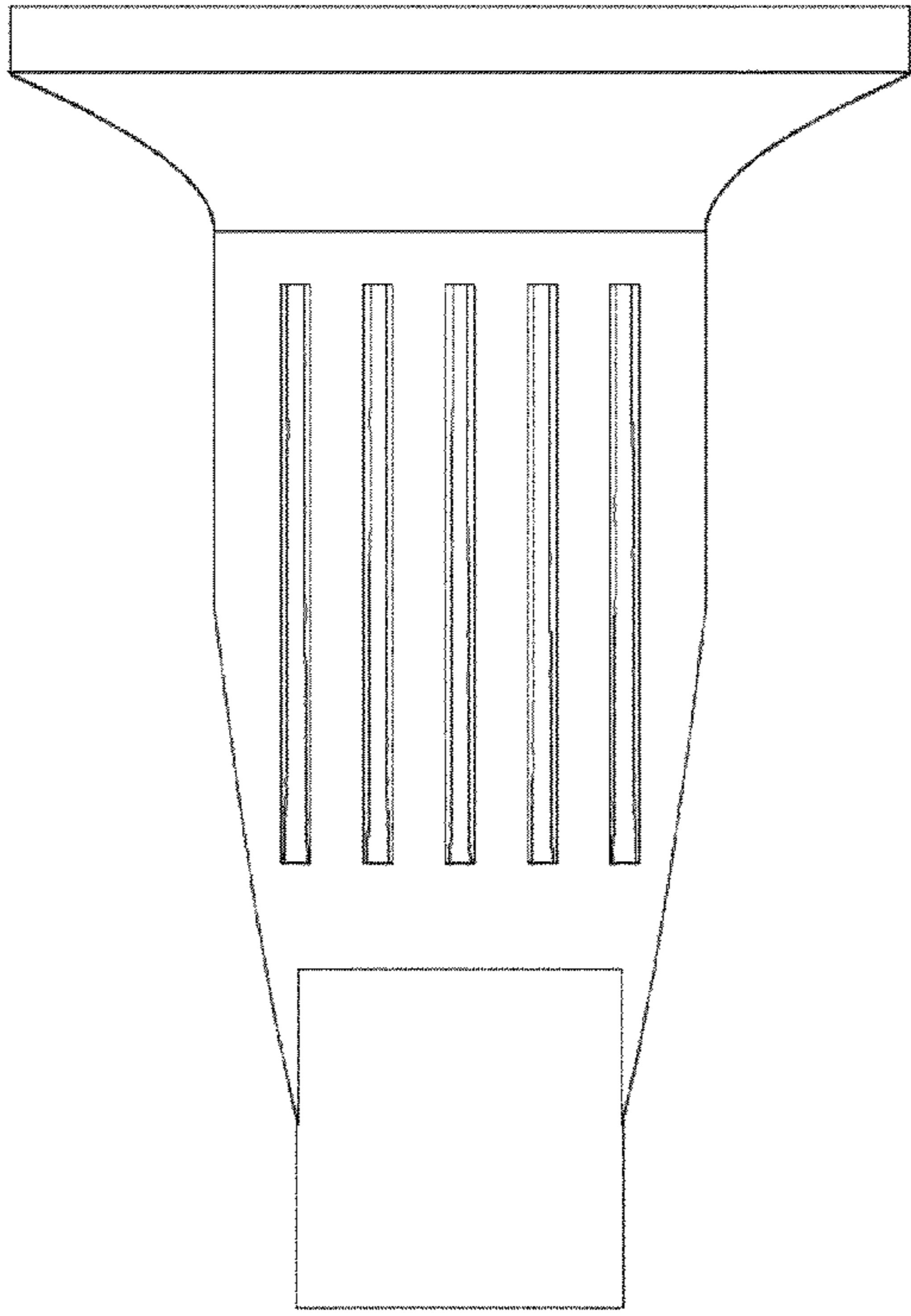


FIG. 3

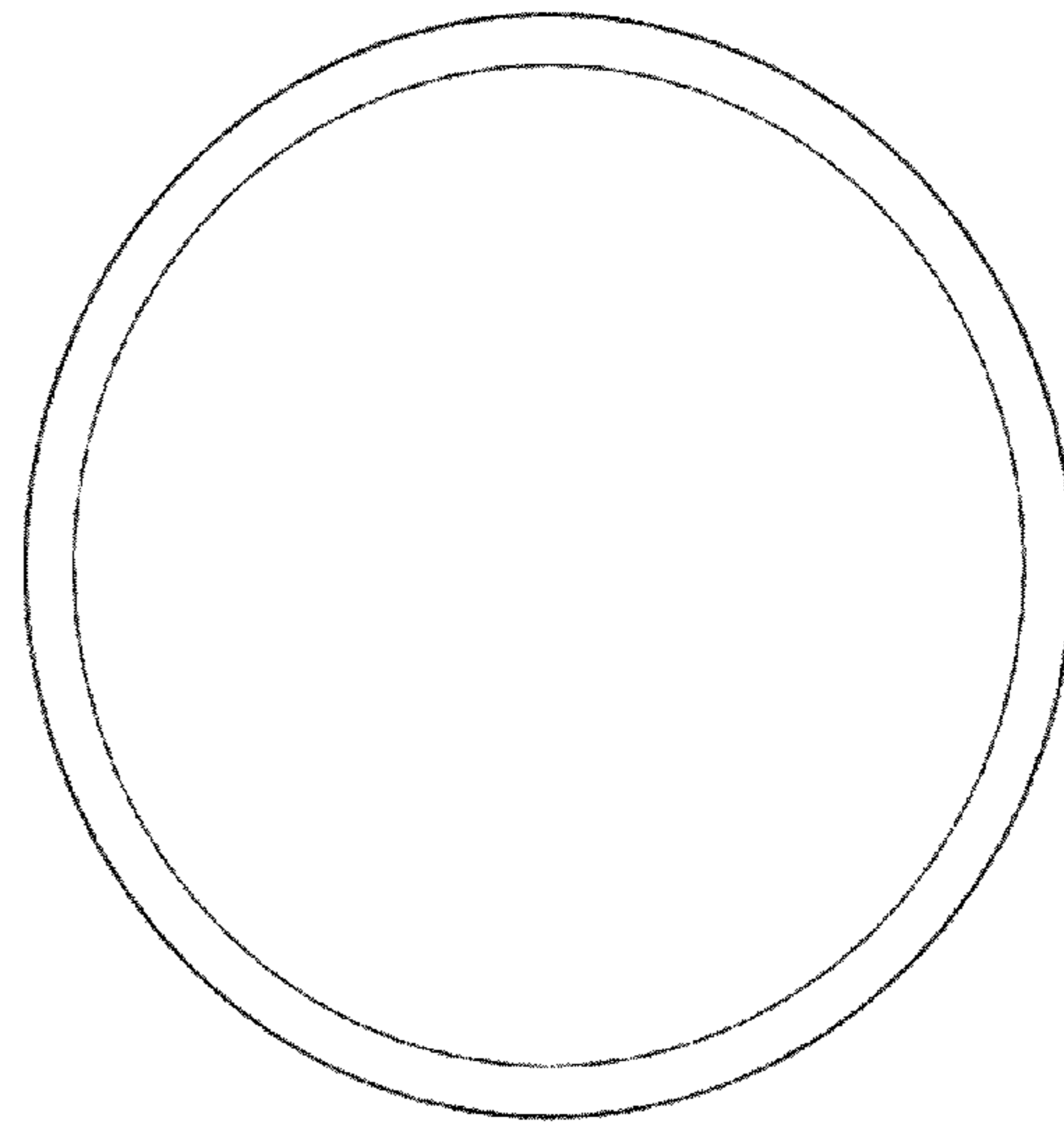


FIG. 4

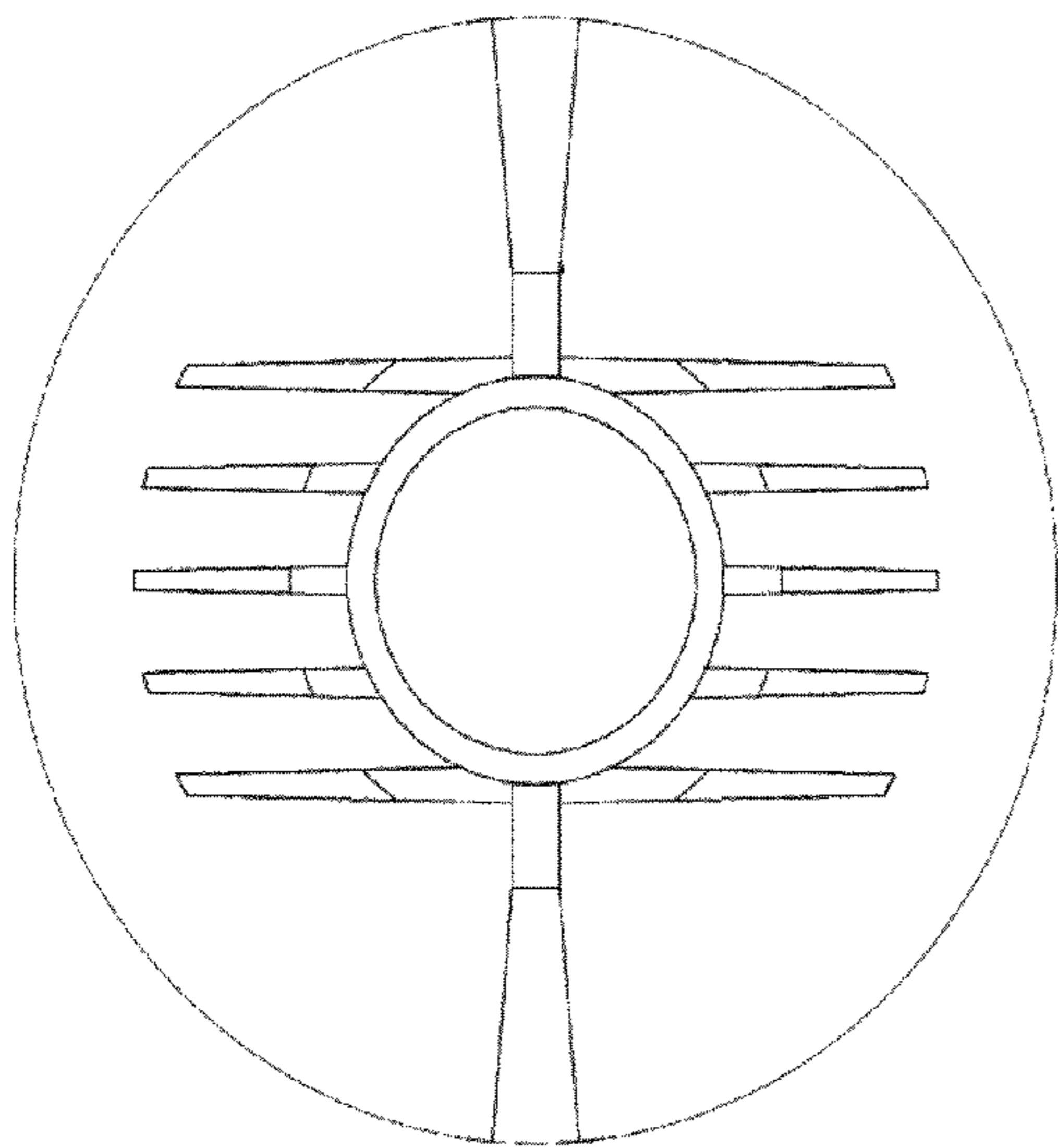


FIG. 5