

US00D677226S

(12) **United States Design Patent**
Matoba et al.

(10) **Patent No.:** **US D677,226 S**
(45) **Date of Patent:** **** Mar. 5, 2013**

(54) **CONNECTOR FOR FLEXIBLE PRINTED
CIRCUIT BOARD**

(75) Inventors: **Masato Matoba**, Kyoto (JP); **Shunsuke Akahori**, Kyoto (JP)

(73) Assignee: **OMRON Corporation**, Kyoto (JP)

(**) Term: **14 Years**

(21) Appl. No.: **29/371,332**

(22) Filed: **Jan. 4, 2011**

(30) **Foreign Application Priority Data**

Jul. 5, 2010 (JP) 2010-16344

Jul. 5, 2010 (JP) 2010-16345

(51) **LOC (9) Cl.** **13-03**

(52) **U.S. Cl.** **D13/154; D13/147**

(58) **Field of Classification Search** D13/147,
D13/154, 184, 199; D14/432, 433, 435,
D14/436, 438; 439/62, 74, 159-160, 260,
439/395, 422, 495, 499, 607.01, 607.04,
439/607.05, 607.17, 607.25, 607.34, 607.41,
439/607.53, 746, 749, 790, 849-850, 884-885,
439/887-888

See application file for complete search history.

(56) **References Cited**

U.S. PATENT DOCUMENTS

3,555,497	A *	1/1971	Watanabe	439/857
D410,226	S *	5/1999	Yoshiura	D13/133
D470,110	S *	2/2003	Yamane	D13/147
D482,327	S *	11/2003	Saito et al.	D13/147
D500,985	S *	1/2005	Yamane et al.	D13/147
D516,524	S *	3/2006	Su	D13/154
D576,558	S *	9/2008	Chiang	D13/154
D581,367	S *	11/2008	Hoshino et al.	D13/154
D600,209	S *	9/2009	Matoba	D13/147
D600,647	S *	9/2009	Hemmi et al.	D13/147
D602,876	S *	10/2009	Yu	D13/154
D630,584	S *	1/2011	Hirayama et al.	D13/147

FOREIGN PATENT DOCUMENTS

JP	D1399902	1/2010
JP	D1399503	10/2010
JP	D1399903	10/2010

* cited by examiner

Primary Examiner — Daniel Bui

(74) *Attorney, Agent, or Firm* — Harness, Dickey & Pierce, P.L.C.

(57) **CLAIM**

The ornamental design for a connector for flexible printed circuit board, as shown and described.

DESCRIPTION

FIG. 1 is an enlarged top, front and right side perspective view of a connector for flexible printed circuit board showing our new design;

FIG. 2 is an enlarged bottom, rear and left side perspective view thereof;

FIG. 3 is a front elevational view thereof;

FIG. 4 is a rear elevational view thereof;

FIG. 5 is a left side view thereof;

FIG. 6 is a right side view thereof.

FIG. 7 is a top plan view thereof;

FIG. 8 is a bottom plan view thereof;

FIG. 9 is an enlarged perspective cross-sectional view taken along the line of IX-IX of FIG. 3;

FIG. 10 is an enlarged perspective cross-sectional view taken along the line of X-X of FIG. 4;

FIG. 11 is an enlarged perspective cross-sectional view taken along the line of XI-XI of FIG. 3;

FIG. 12 is an enlarged perspective cross-sectional view taken along the line of XII-XII of FIG. 4;

FIG. 13 is an enlarged cross-sectional view taken along the line of XIII-XIII of FIG. 3;

FIG. 14 is an enlarged cross-sectional view taken along the line of XIV-XIV of FIG. 3;

FIG. 15 is a perspective cross-sectional view taken along the line of XV-XV of FIG. 7; and,

FIG. 16 is a top, front and right side perspective view thereof, shown in an alternate position of use.

The broken lines depict environmental subject matter only and form no part of the claimed design. The dash-dot line represents the boundary of the claimed design.

1 Claim, 14 Drawing Sheets

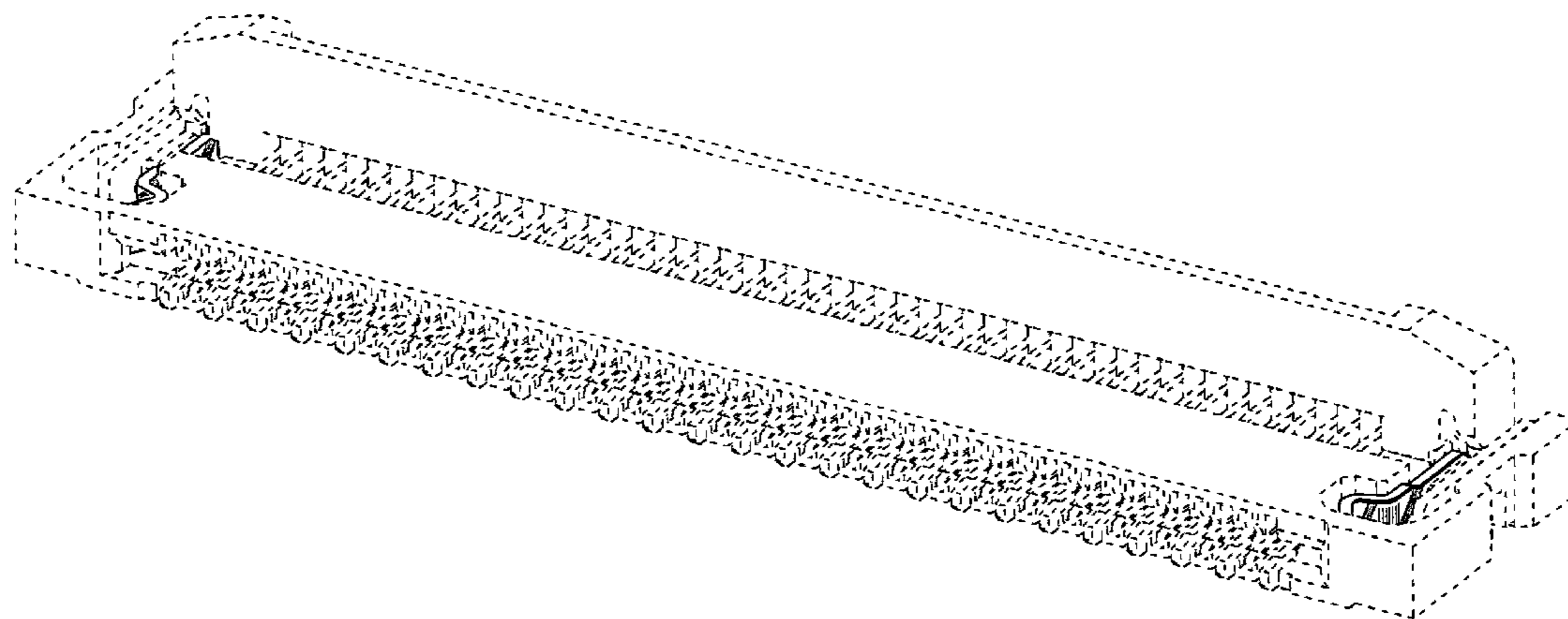
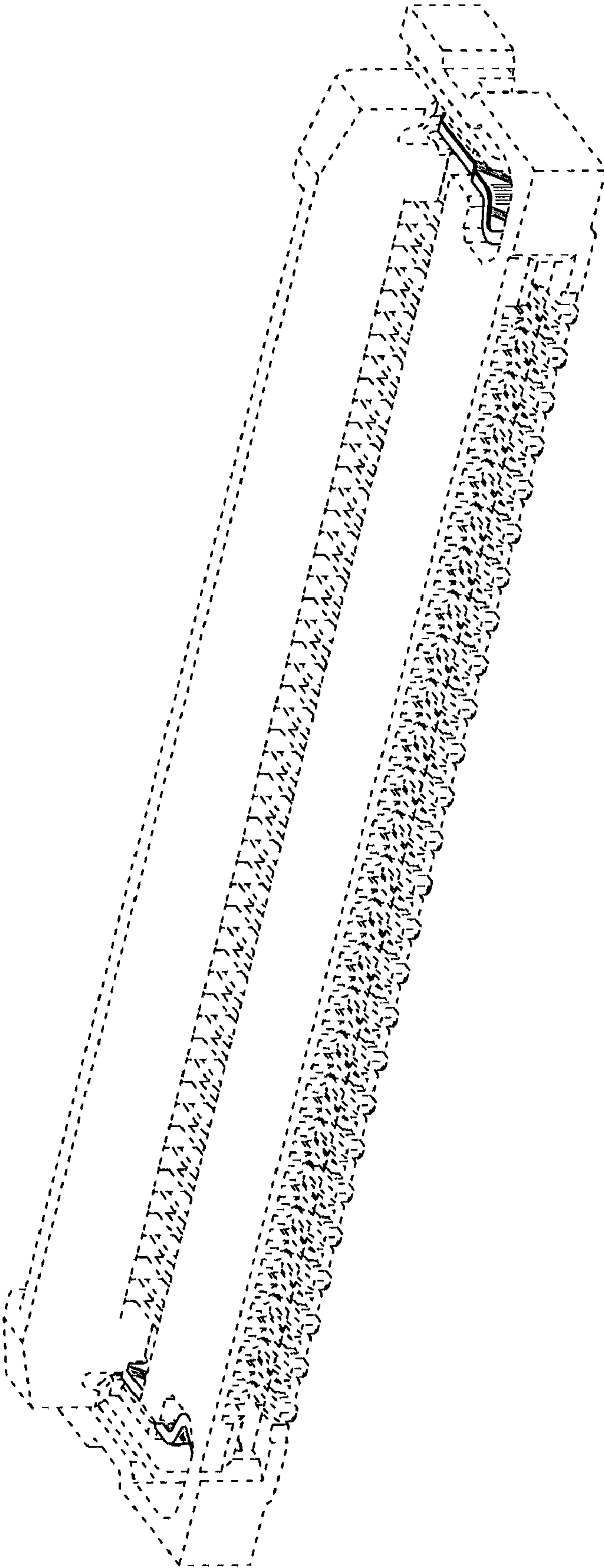


Fig. 1



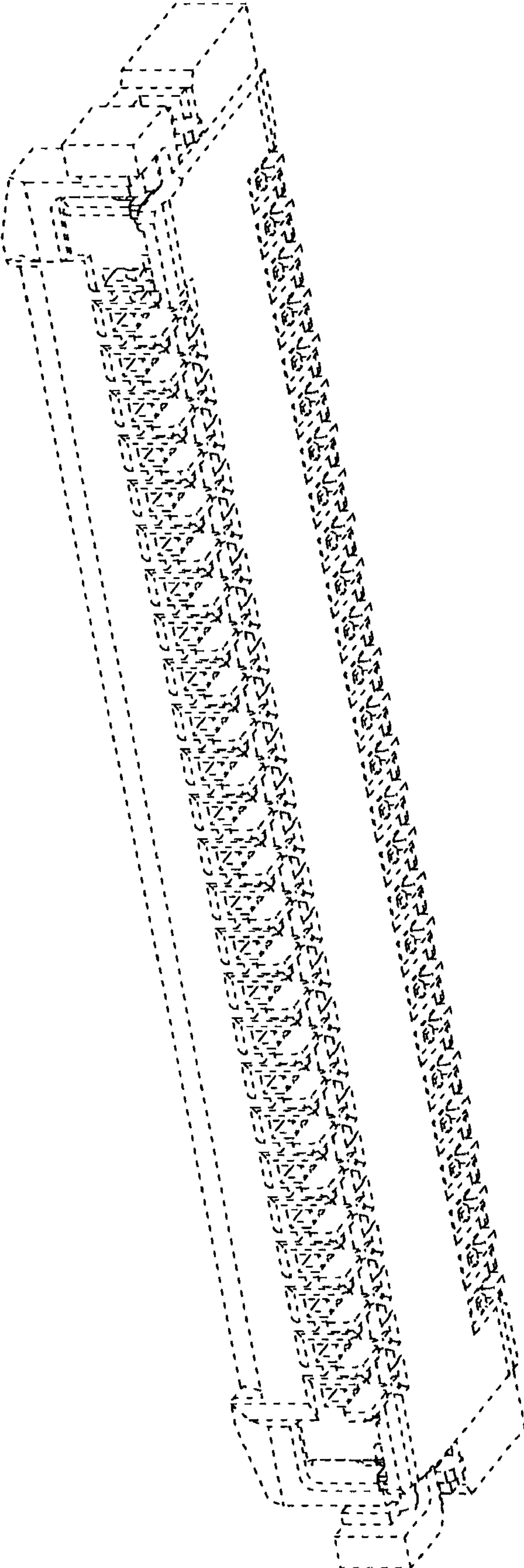


Fig. 2

Fig. 3

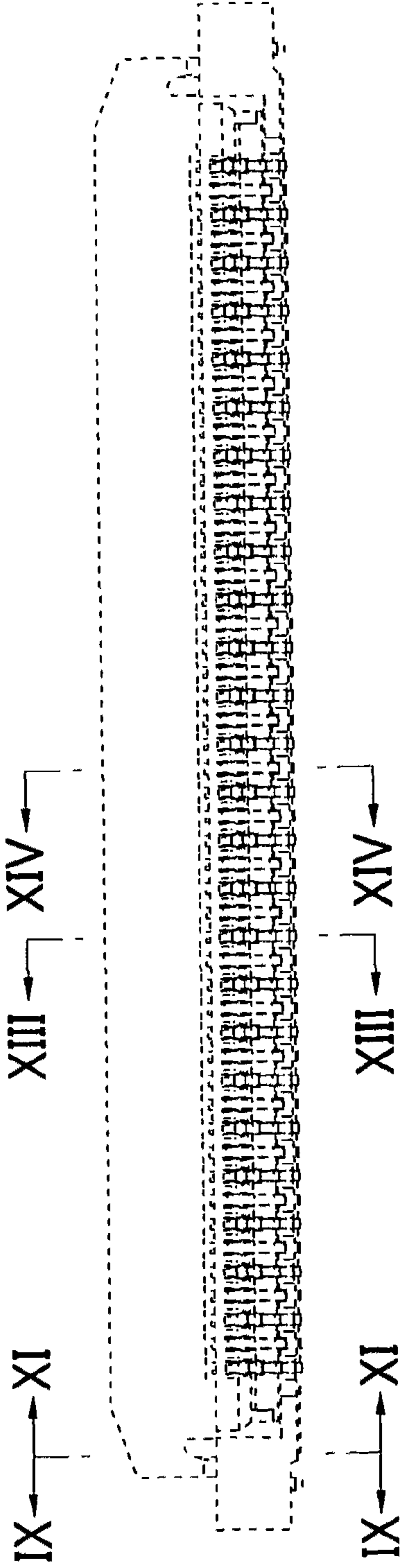


Fig. 4

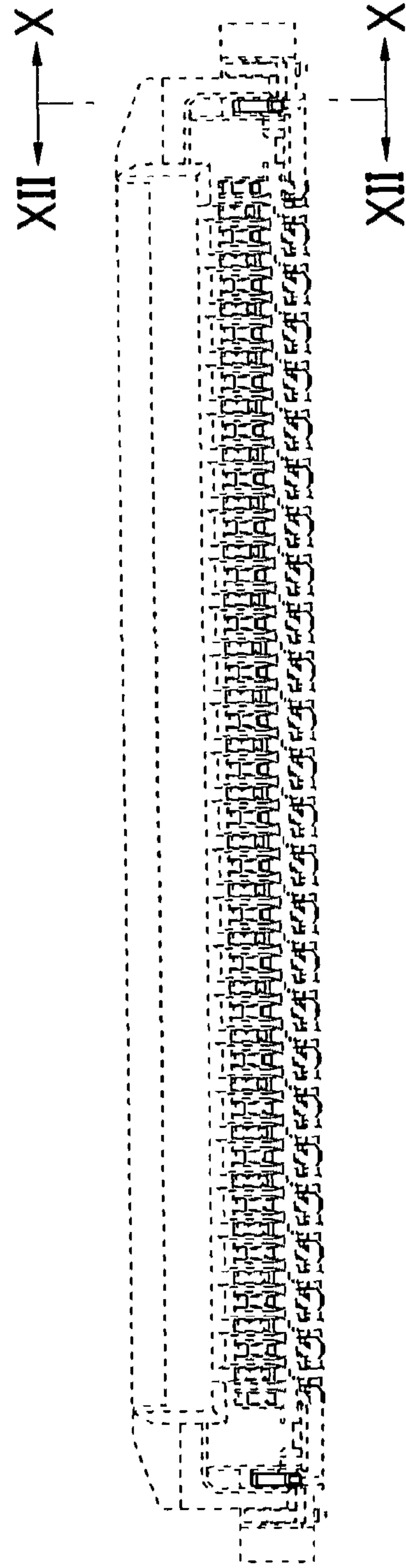


Fig. 6

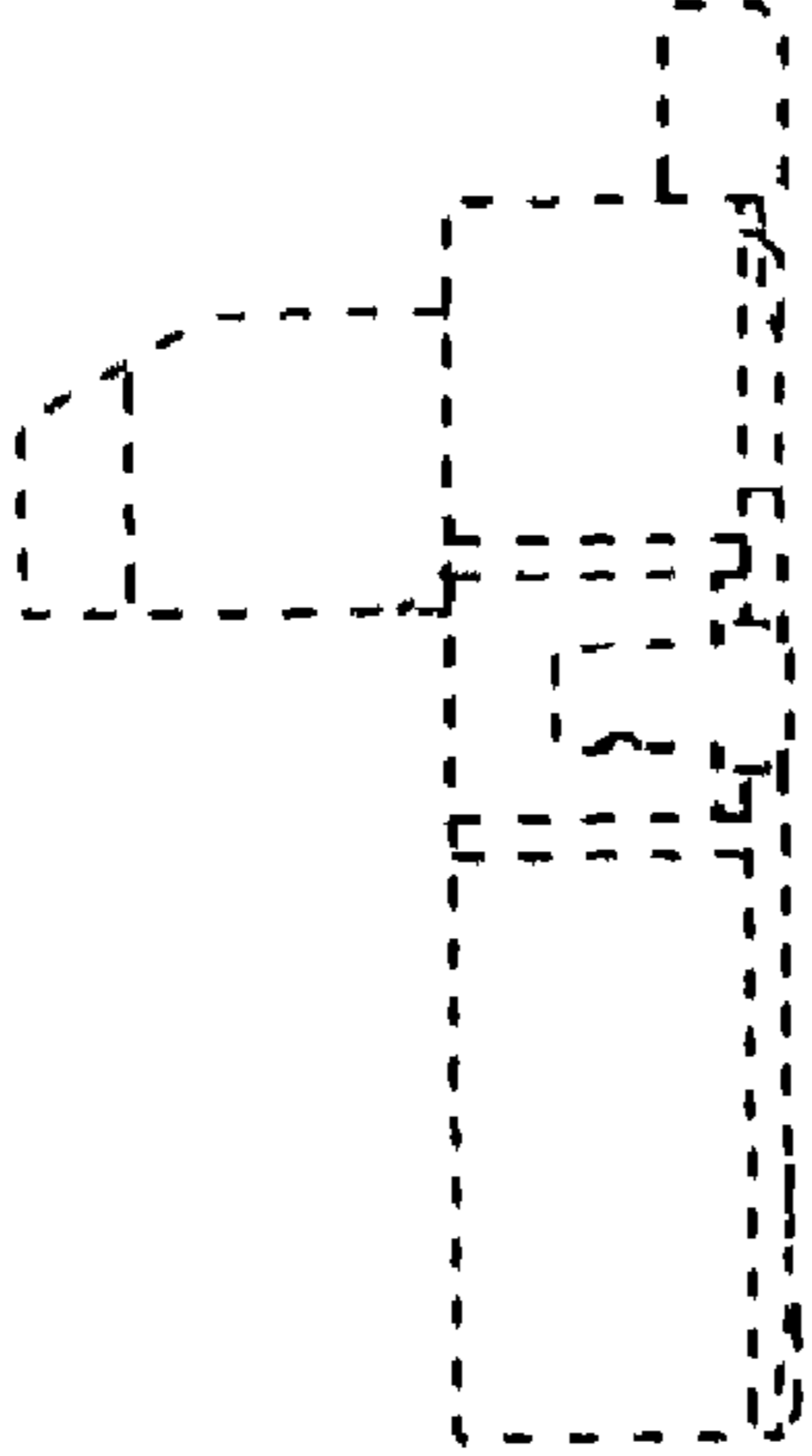


Fig. 5

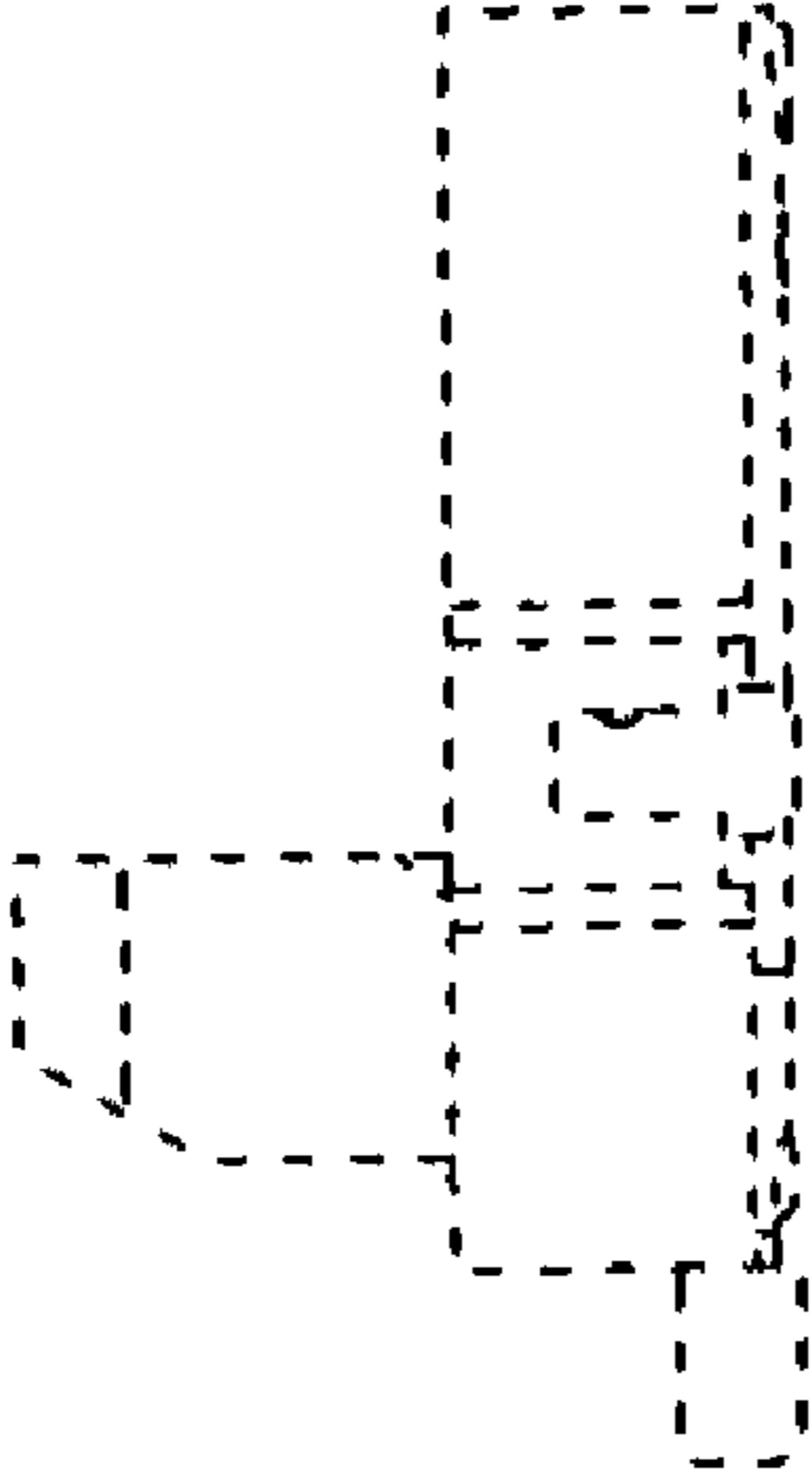


Fig. 7

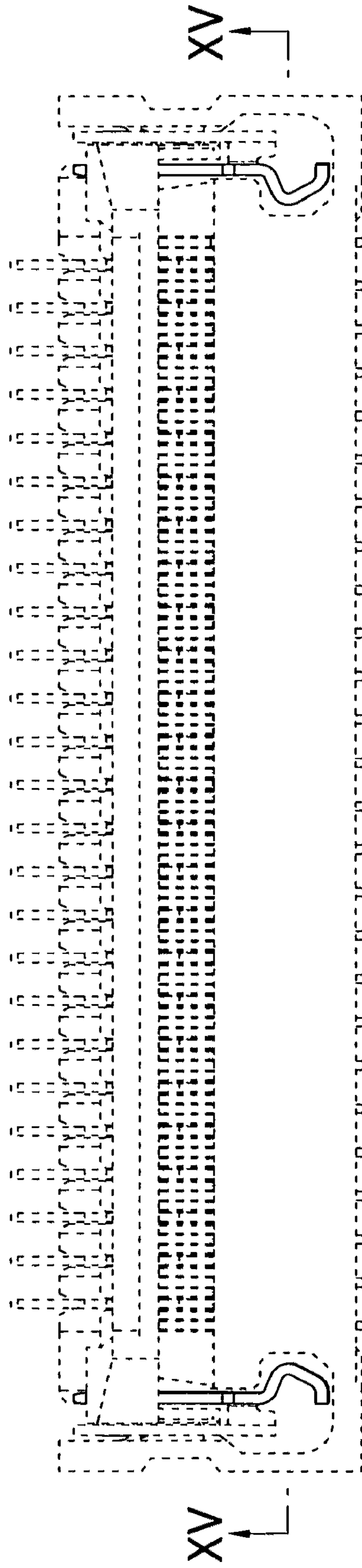
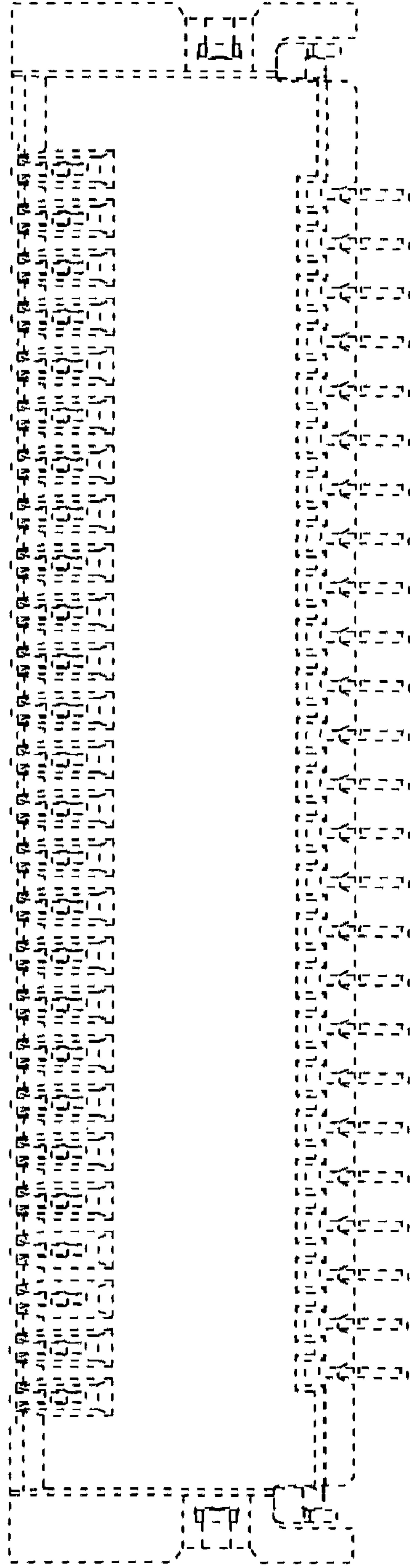


Fig. 8



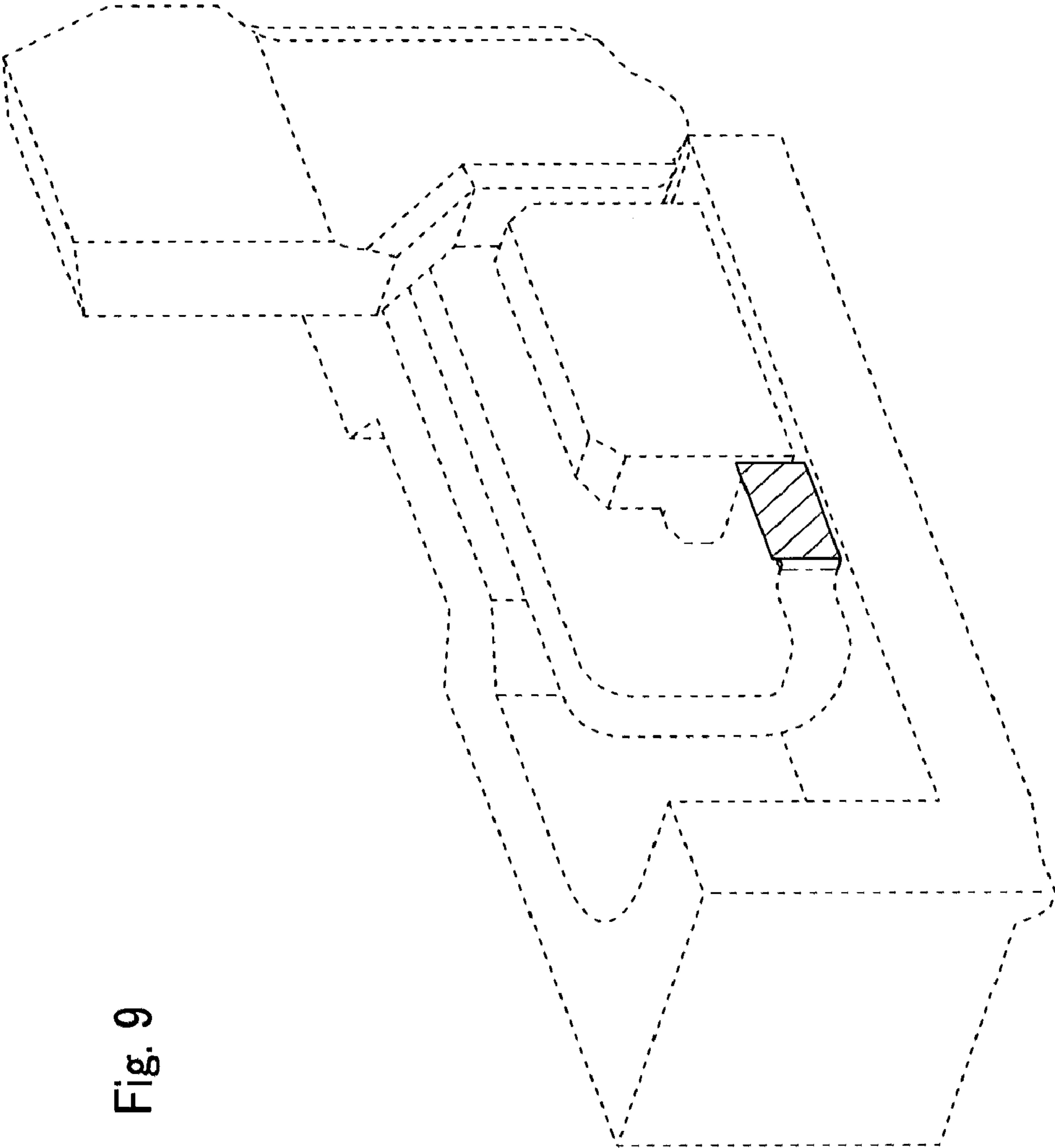


Fig. 9

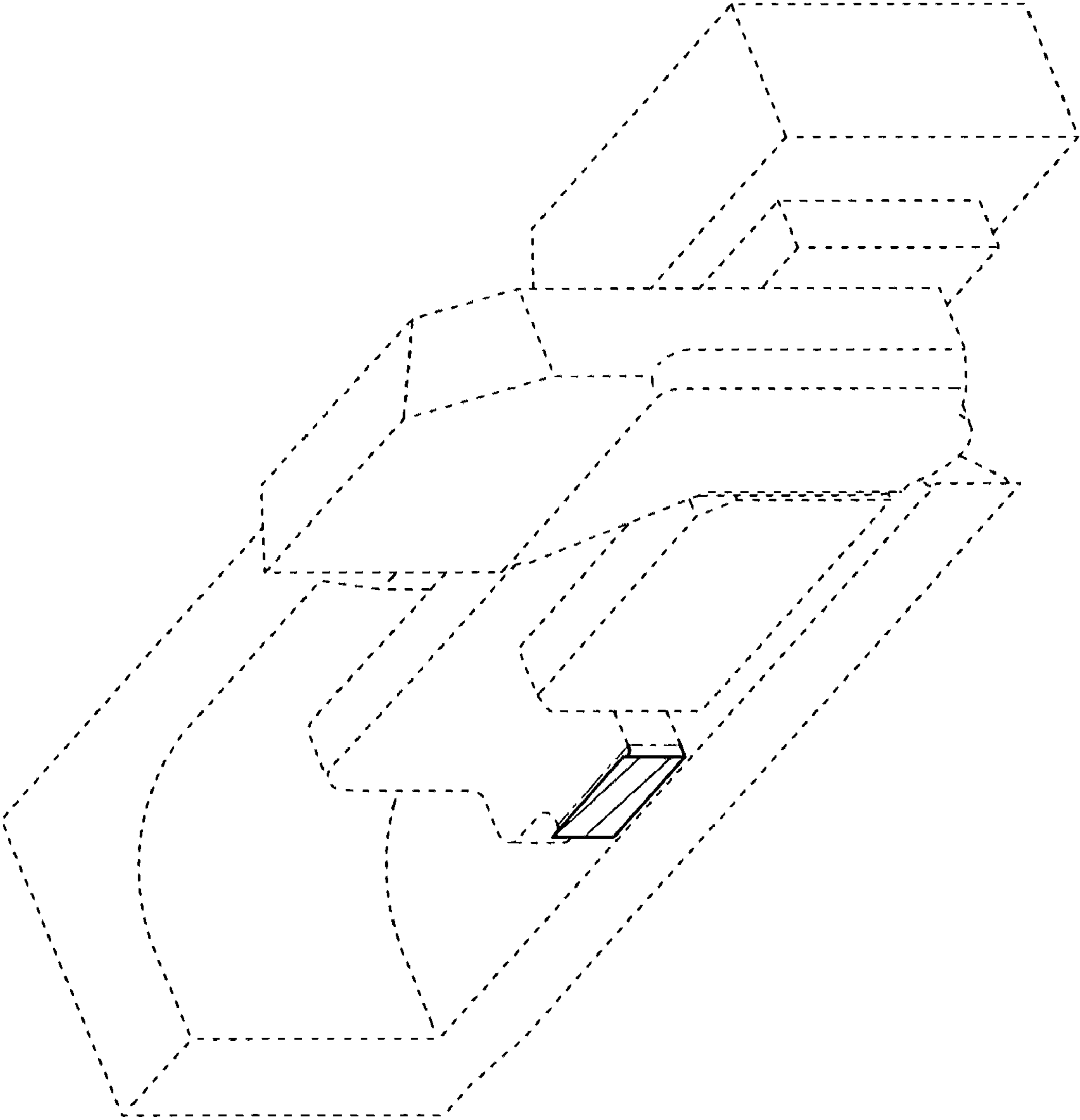


Fig. 10

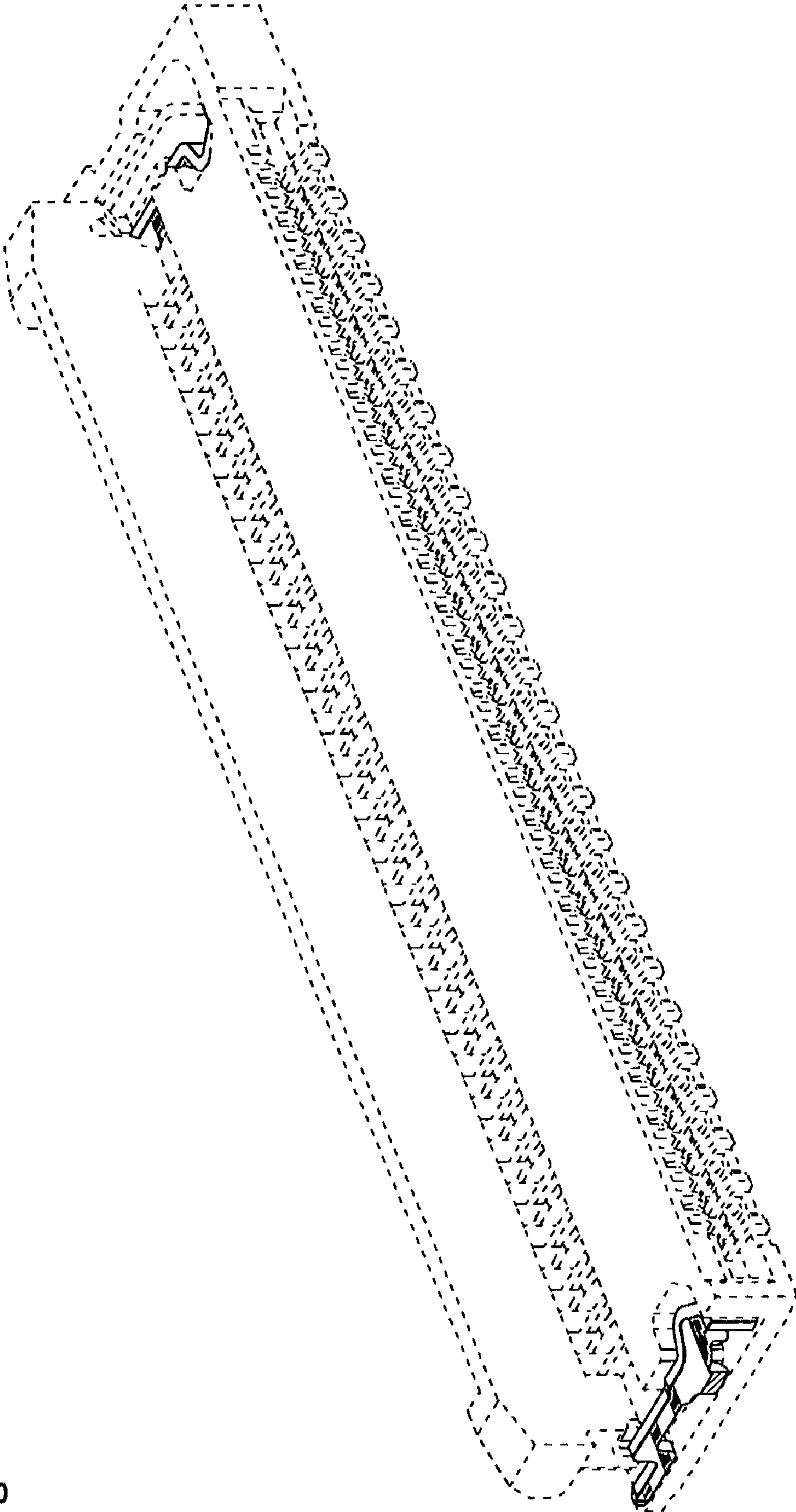


Fig. 11

Fig. 12

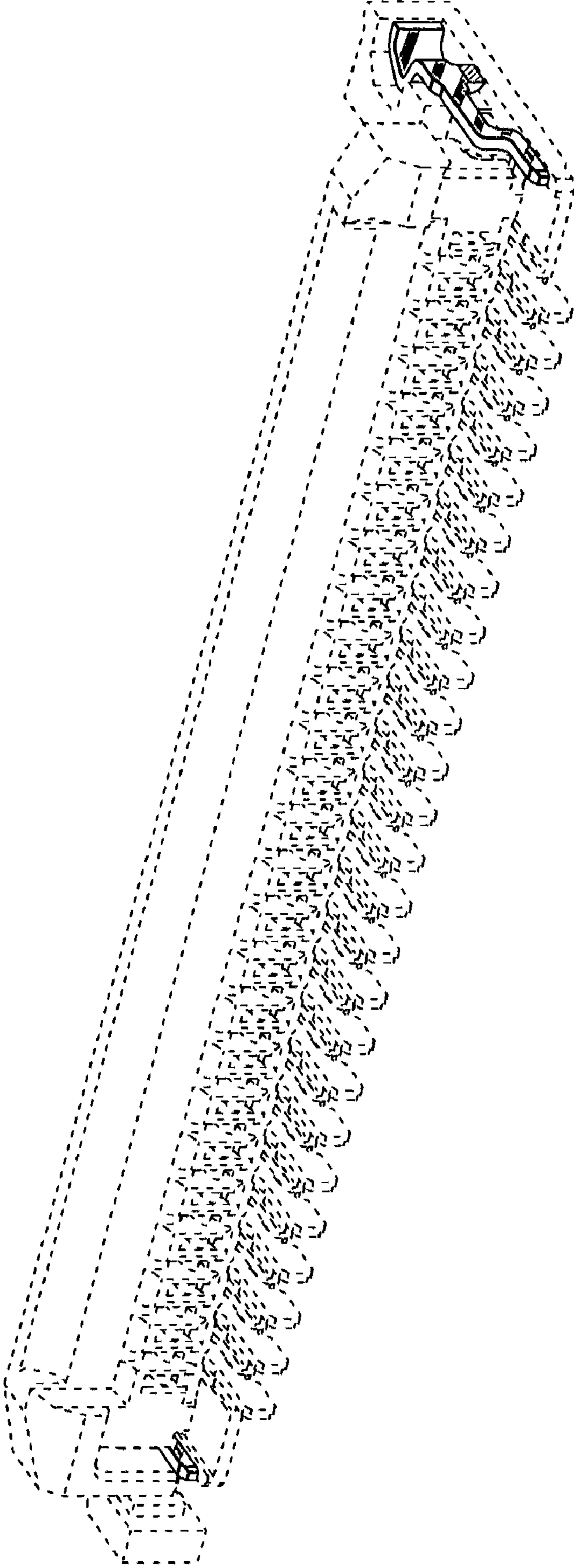


Fig. 13

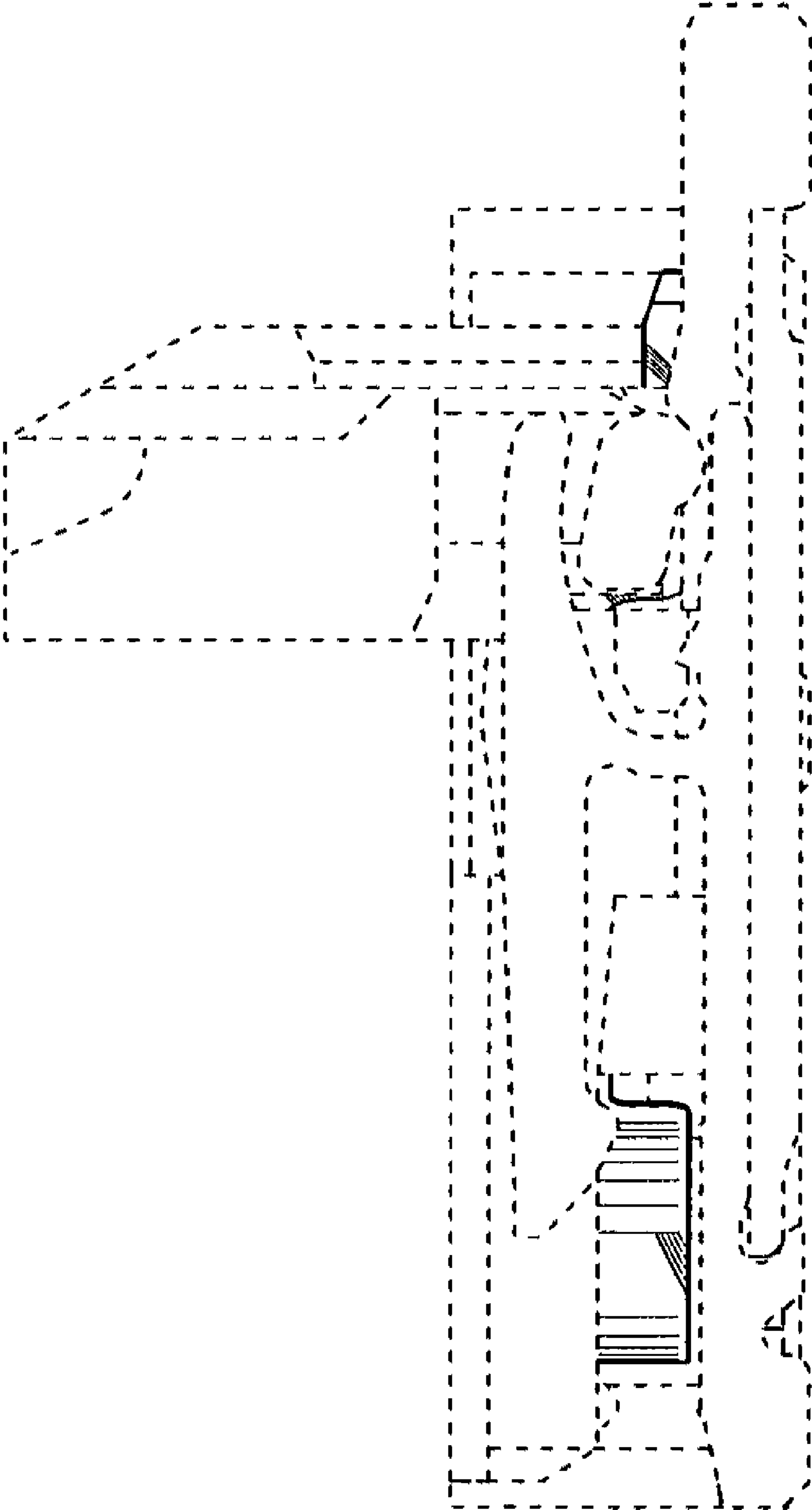


Fig. 14

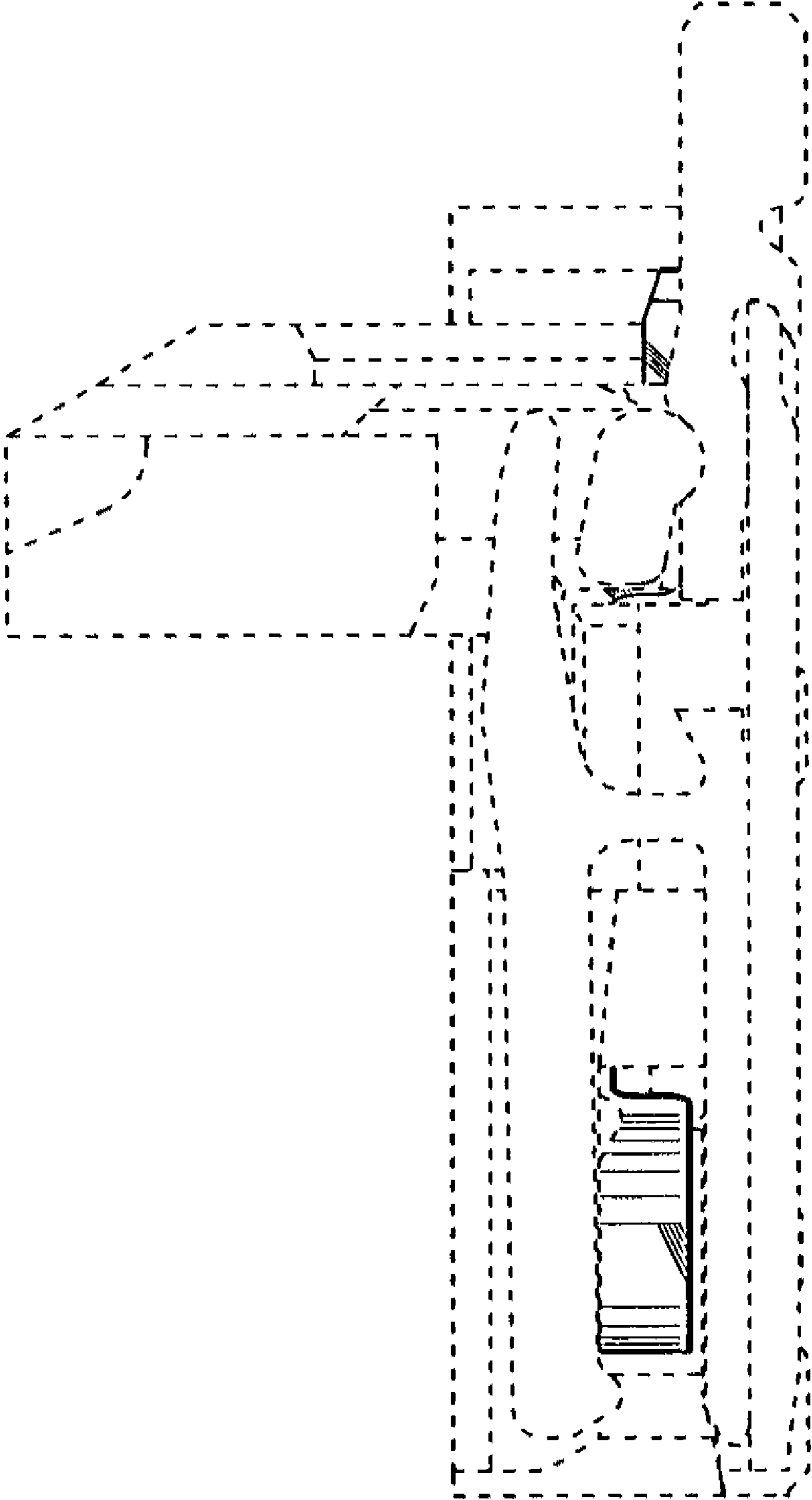


Fig. 15

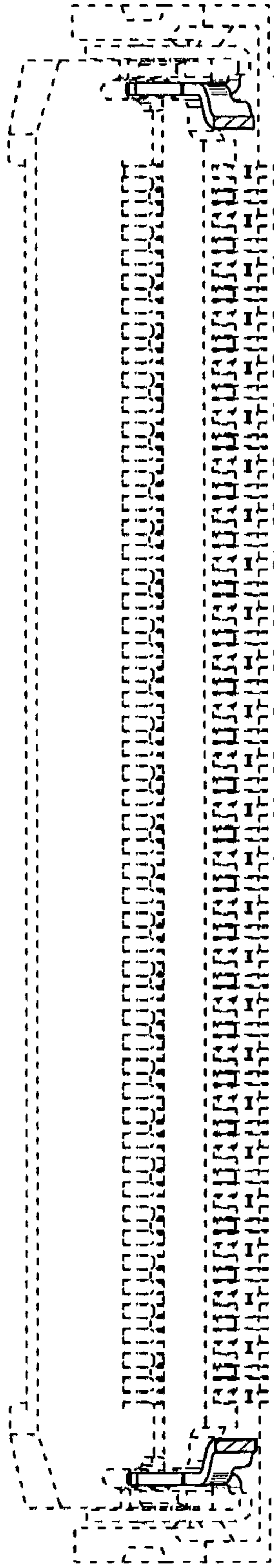


Fig. 16

