



US00D677223S

(12) **United States Design Patent**
Cho

(10) **Patent No.:** **US D677,223 S**
(45) **Date of Patent:** **** Mar. 5, 2013**

(54) **REPEATER**

(75) Inventor: **Ju-Won Cho**, Seoul (KR)

(73) Assignee: **Samsung Electronics Co., Ltd.** (KR)

(**) Term: **14 Years**

(21) Appl. No.: **29/427,642**

(22) Filed: **Jul. 20, 2012**

(30) **Foreign Application Priority Data**

Apr. 23, 2012 (KR) 30-2012-0019249

(51) **LOC (9) Cl.** **13-02**

(52) **U.S. Cl.** **D13/110**

(58) **Field of Classification Search** D13/110,
D13/108, 123, 133, 137.1, 199; D14/140.1,
D14/240, 242, 353, 433; 174/53, 54, 57,
174/59, 61; 307/150, 151; 320/111, 114;
363/132, 146; 439/105, 131, 166, 170-173,
439/218, 518, 692, 956; 370/315, 317, 319,
370/338

See application file for complete search history.

(56) **References Cited**

U.S. PATENT DOCUMENTS

D327,050	S	*	6/1992	Zirinsky	D13/110
5,613,863	A	*	3/1997	Klaus et al.	439/131
5,973,948	A	*	10/1999	Hahn et al.	363/146
D446,499	S	*	8/2001	Andre et al.	D13/110
D554,584	S	*	11/2007	Feldman et al.	D13/110
D565,036	S	*	3/2008	Ju et al.	D14/240
D646,632	S	*	10/2011	Hogen	D13/110

* cited by examiner

Primary Examiner — Derrick Holland

(74) *Attorney, Agent, or Firm* — Cantor Colburn LLP

(57) **CLAIM**

The ornamental design for a repeater, as shown and described.

DESCRIPTION

FIG. 1 is a perspective view of a repeater showing my new design;
FIG. 2 is a front elevational view thereof;
FIG. 3 is a rear elevational view thereof;
FIG. 4 is a left side elevational view thereof;
FIG. 5 is a right side elevational view thereof;
FIG. 6 is a top plan view thereof;
FIG. 7 is a bottom plan view thereof; and,
FIG. 8 is a perspective view thereof shown in an alternate position.

1 Claim, 8 Drawing Sheets

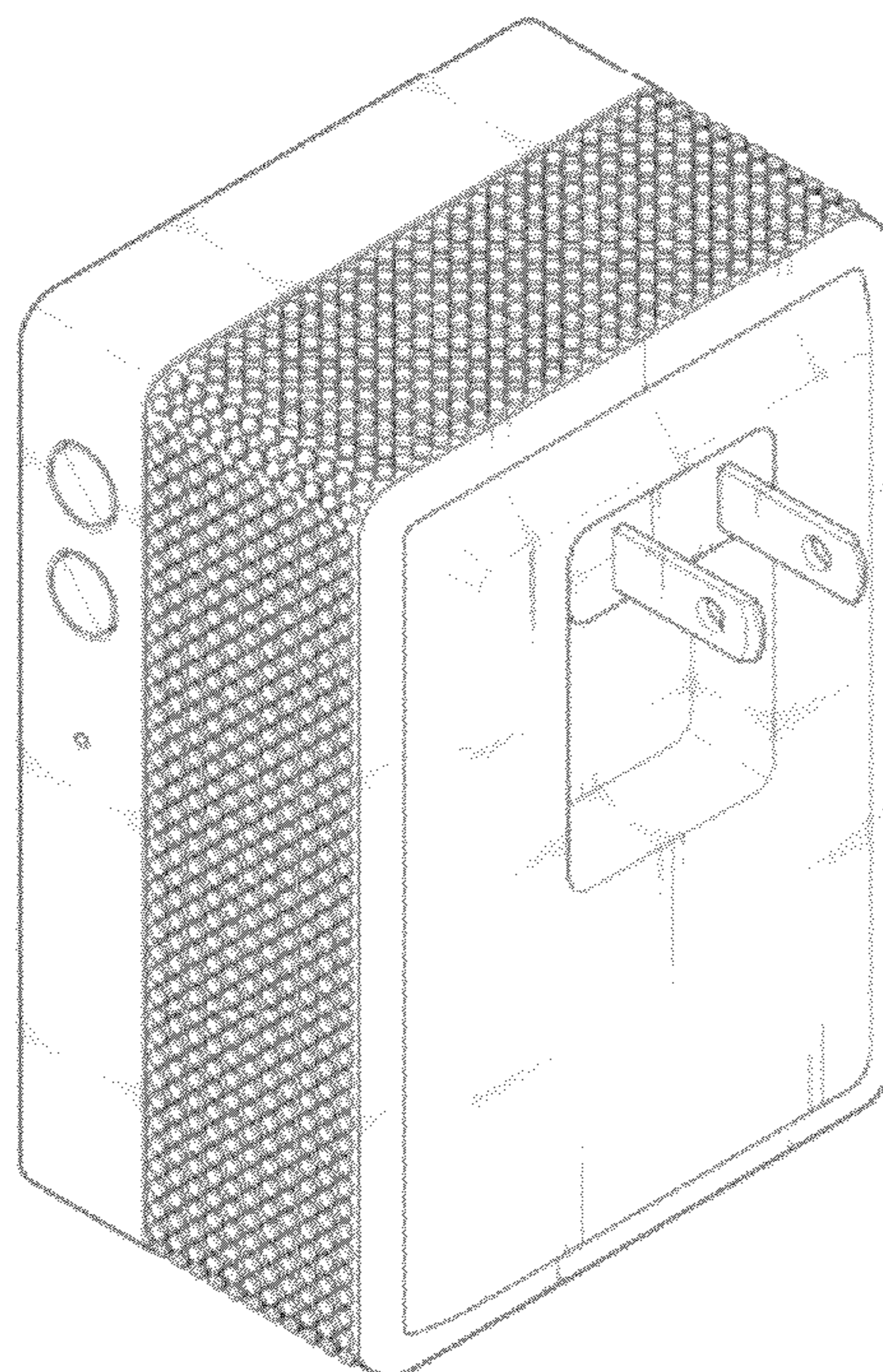


FIG. 1

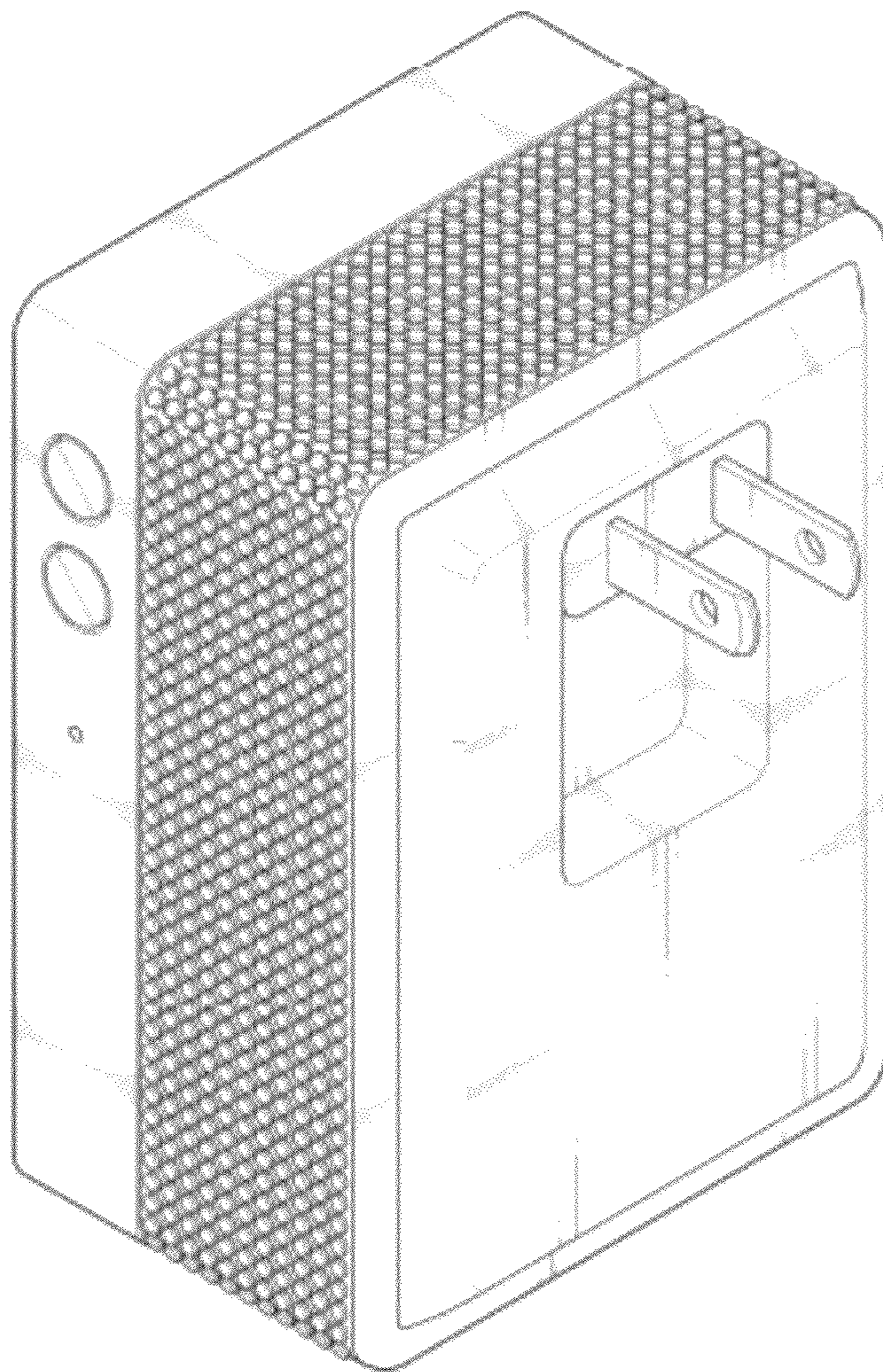


FIG. 2

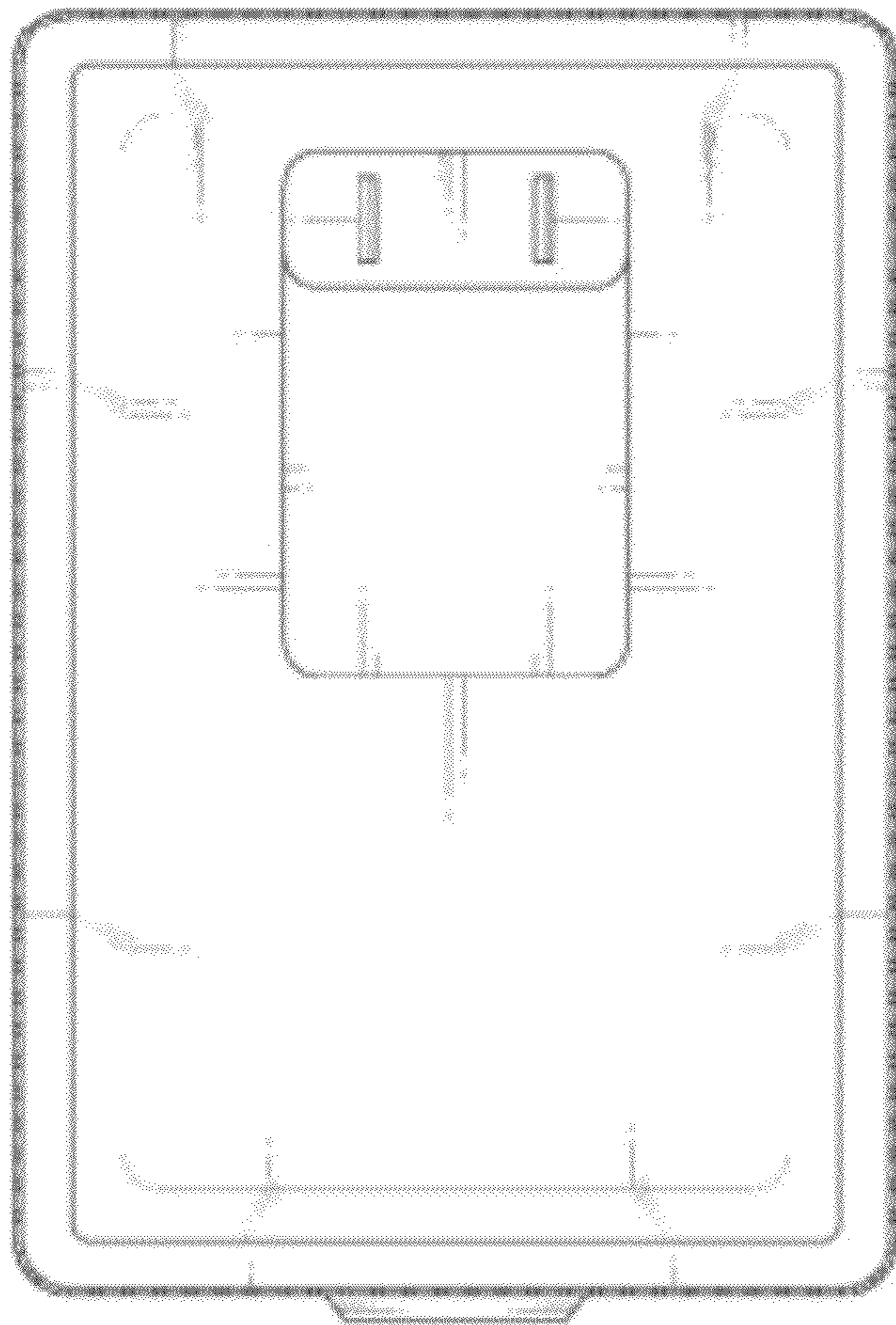


FIG. 3

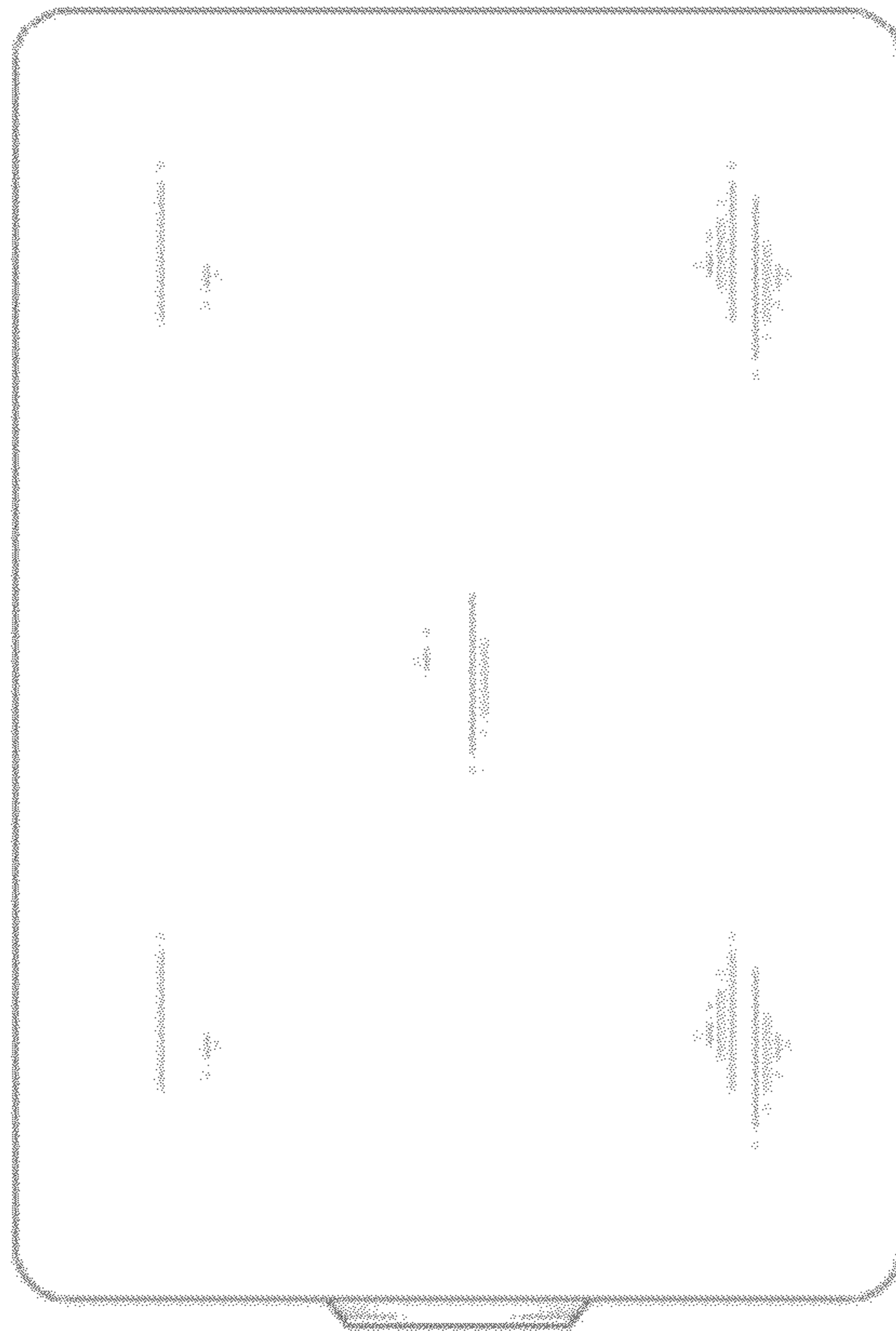


FIG. 4

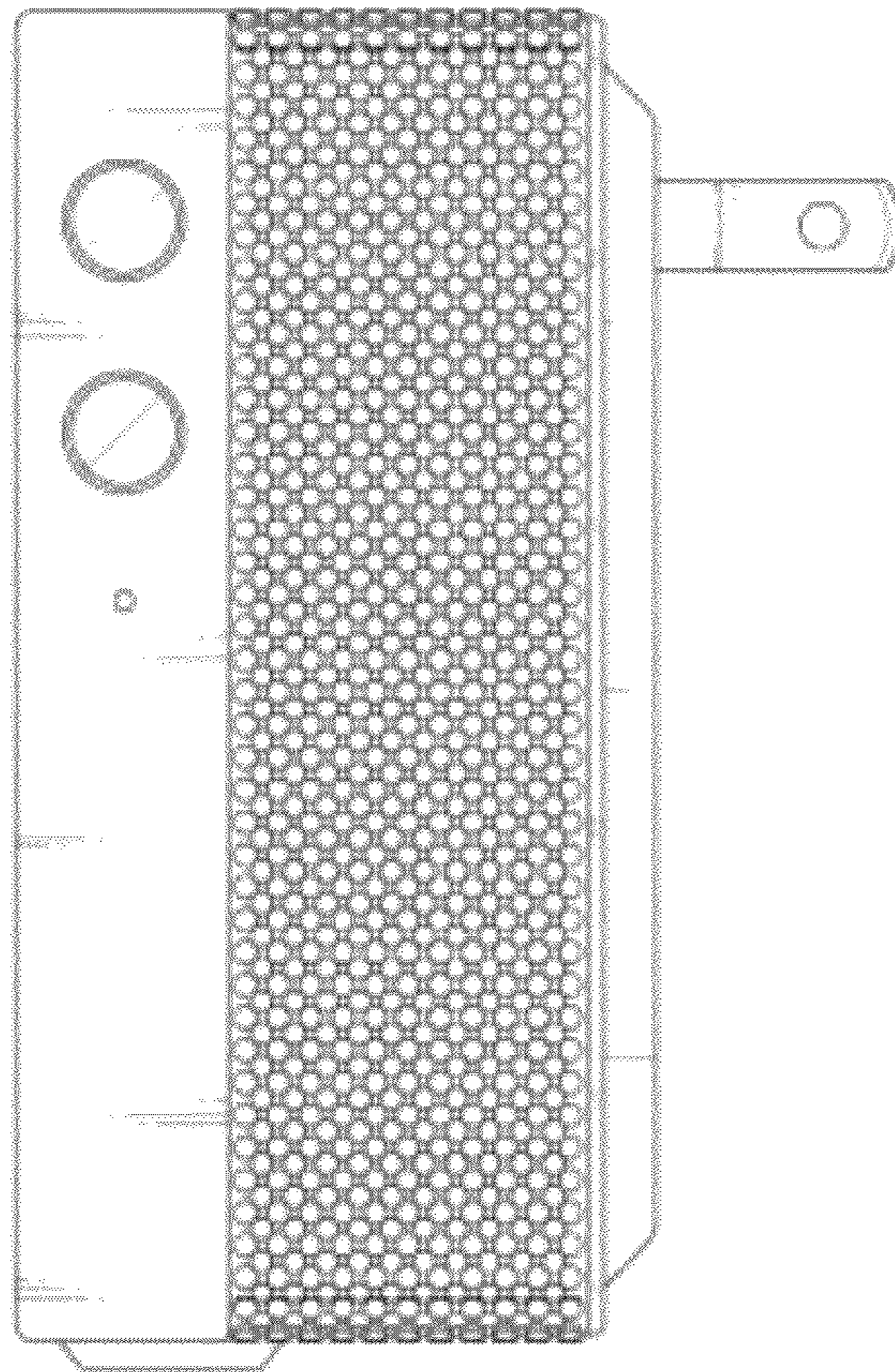


FIG. 5

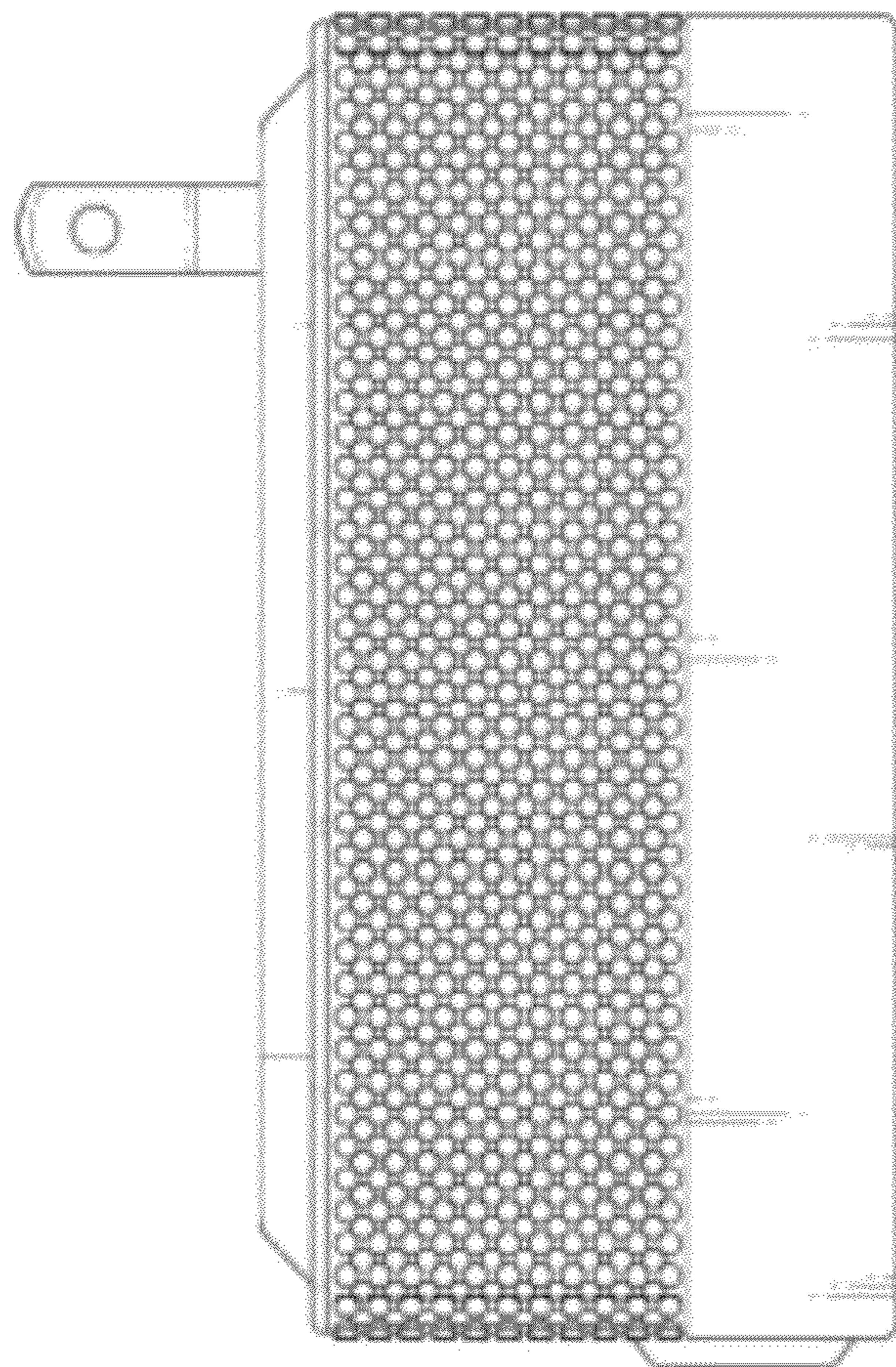


FIG. 6

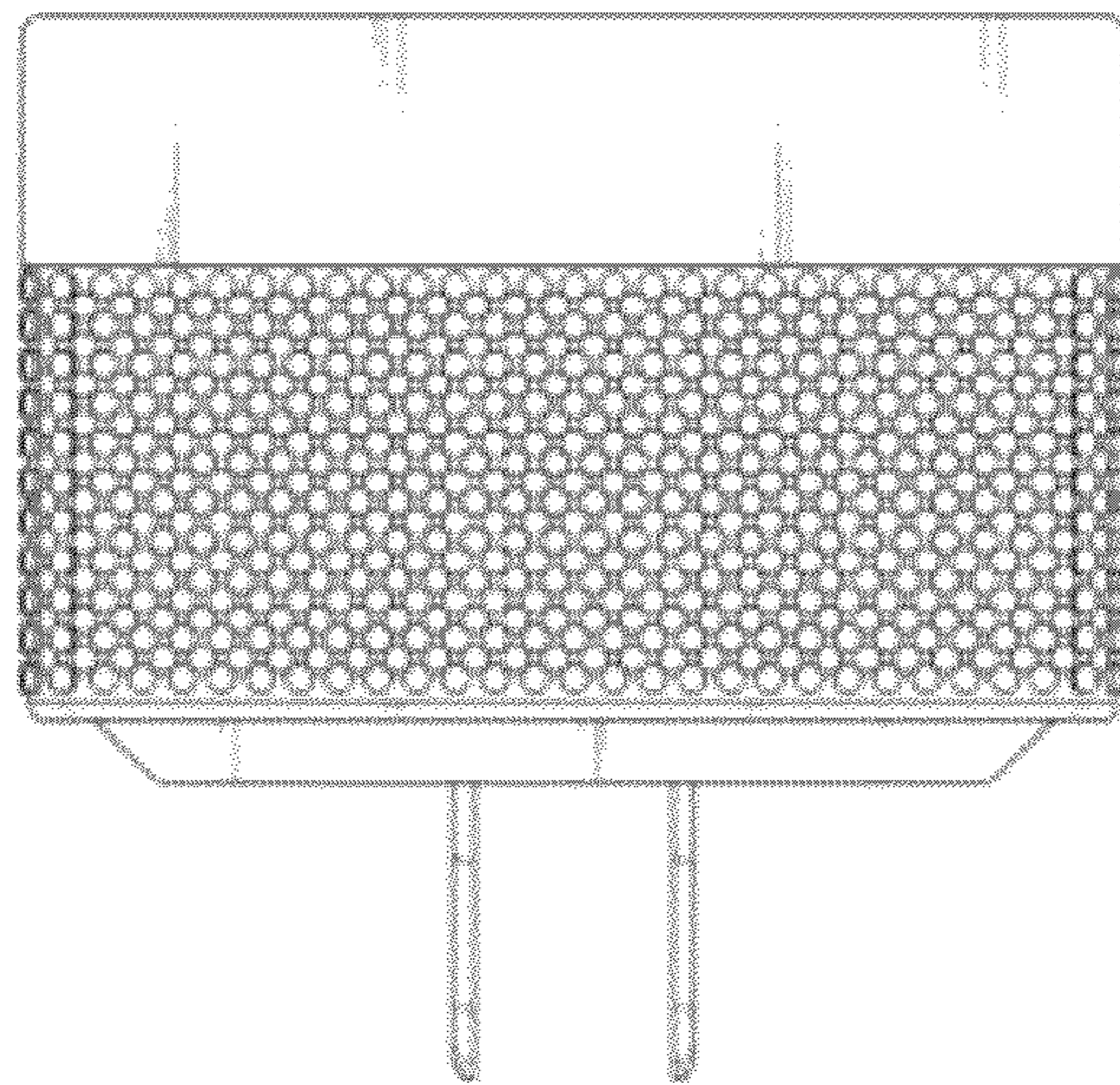


FIG. 7

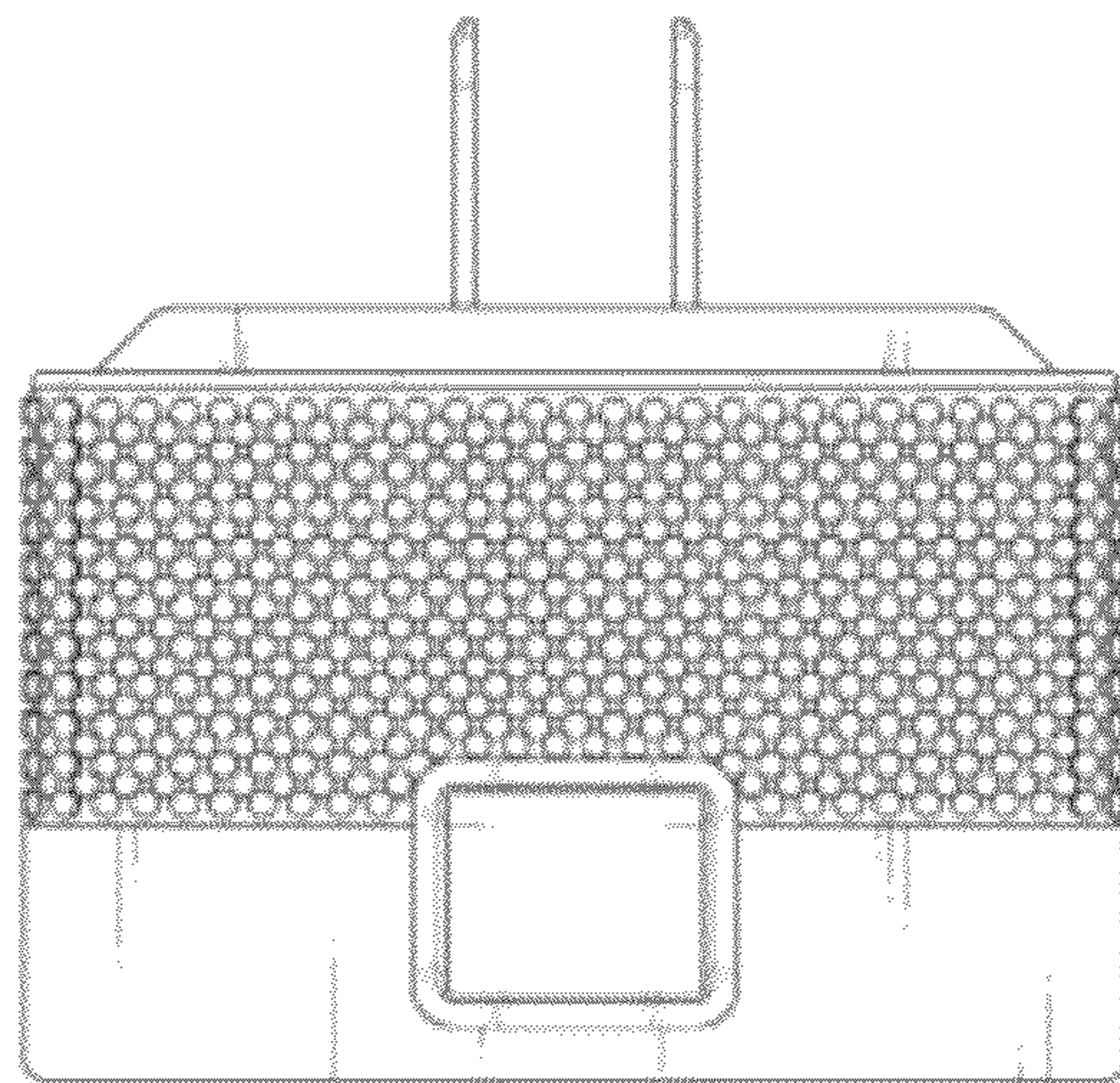


FIG. 8

