



US00D677222S

(12) **United States Design Patent**  
**Haapaniemi et al.**

(10) **Patent No.:** **US D677,222 S**  
(45) **Date of Patent:** **\*\* Mar. 5, 2013**

(54) **INVERTER**

(75) Inventors: **Hannu Haapaniemi**, Mäntäsälä (FI);  
**Jukka Nurmi**, Vantaa (FI); **Aaro Pallasmaa**, Helsinki (FI); **Mikko Paakkinen**, Espoo (FI)

(73) Assignee: **ABB Oy**, Helsinki (FI)

(\*\*) Term: **14 Years**

(21) Appl. No.: **29/371,215**

(22) Filed: **Nov. 29, 2010**

(30) **Foreign Application Priority Data**

Jun. 9, 2010 (EM) ..... 001220511-0001  
Jun. 9, 2010 (EM) ..... 001220511-0002  
Jun. 9, 2010 (EM) ..... 001220511-0003  
Jun. 9, 2010 (EM) ..... 001220511-0004

(51) **LOC (9) Cl.** ..... **13-02**

(52) **U.S. Cl.** ..... **D13/110**

(58) **Field of Classification Search** ..... D13/110,  
D13/108, 118, 123, 162, 168, 169, 174, 177,  
D13/184, 199; D10/103; D14/257, 432,  
D14/438; 16/404; 334/7, 10; 337/186; 361/600,  
361/601, 692, 730; 363/141, 142  
See application file for complete search history.

(56) **References Cited**

**U.S. PATENT DOCUMENTS**

D370,663 S \* 6/1996 Swain et al. .... D13/168  
5,666,268 A \* 9/1997 Rix et al. .... 361/692

D413,567 S \* 9/1999 Person et al. .... D13/110  
5,949,640 A \* 9/1999 Cameron et al. .... 361/600  
D450,305 S \* 11/2001 Masuzoe et al. .... D13/168  
D459,313 S \* 6/2002 Kim ..... D13/164  
D502,916 S \* 3/2005 Higuchi et al. .... D13/110  
D555,602 S \* 11/2007 Park ..... D13/162  
D560,607 S \* 1/2008 Suematsu et al. .... D13/110  
D604,237 S \* 11/2009 Engel et al. .... D13/110  
D604,239 S \* 11/2009 Engel et al. .... D13/110  
D610,553 S \* 2/2010 Makela ..... D13/162  
D616,815 S \* 6/2010 Jadraque Aznarez  
et al. .... D13/110

\* cited by examiner

*Primary Examiner* — Derrick Holland

(74) *Attorney, Agent, or Firm* — Dykema Gossett PLLC

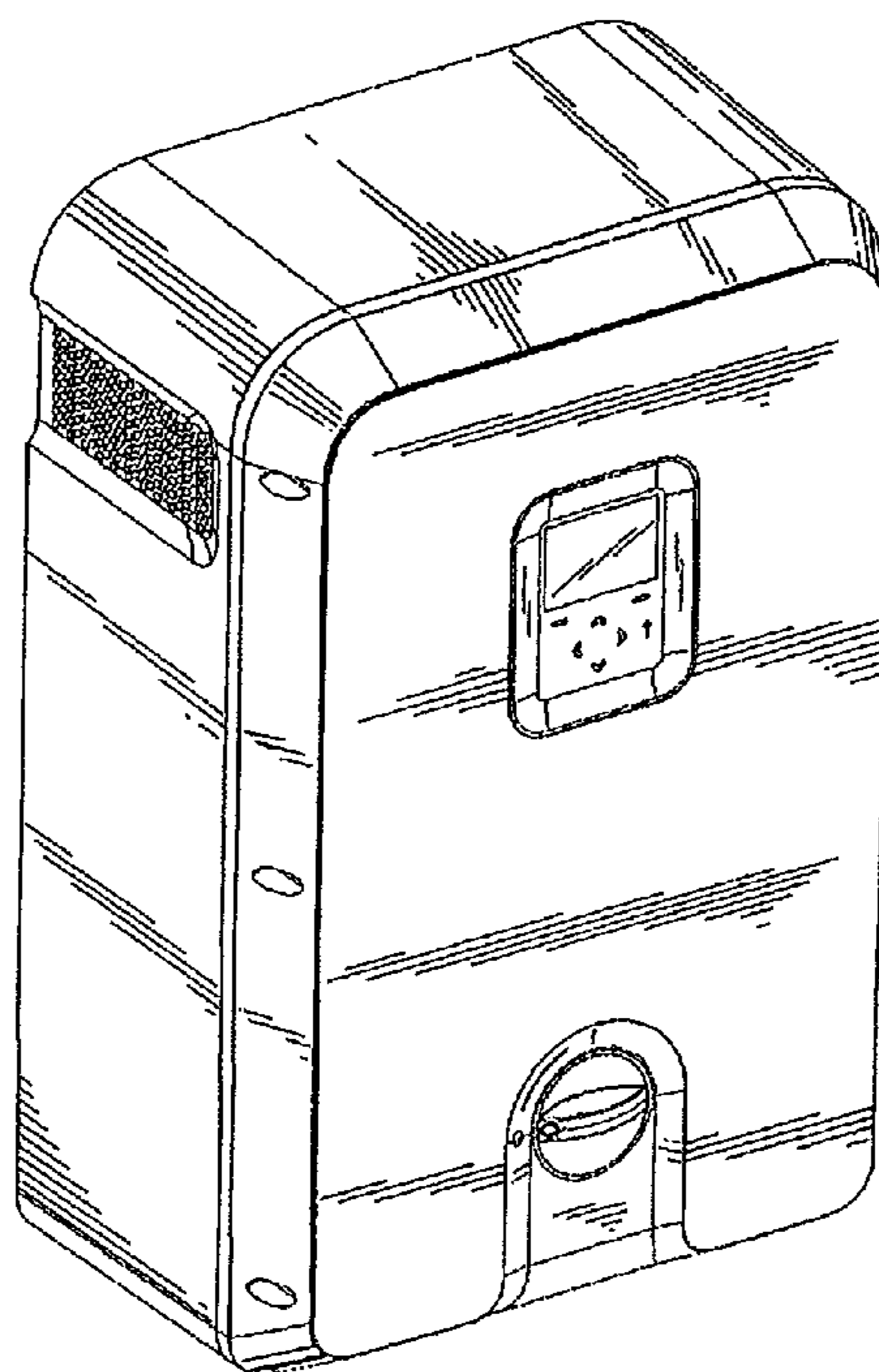
(57) **CLAIM**

The ornamental design for an inverter, as shown and described.

**DESCRIPTION**

FIG. 1 is a perspective top, front and left side view of an inverter showing our new design;  
FIG. 2 is a perspective bottom, front and right side view thereof;  
FIG. 3 is a perspective top, front and right side view thereof;  
FIG. 4 is a front view thereof;  
FIG. 5 is a rear view thereof;  
FIG. 6 is a top view thereof;  
FIG. 7 is a bottom view thereof;  
FIG. 8 is a right side view thereof; and,  
FIG. 9 is a left side view thereof.

**1 Claim, 9 Drawing Sheets**



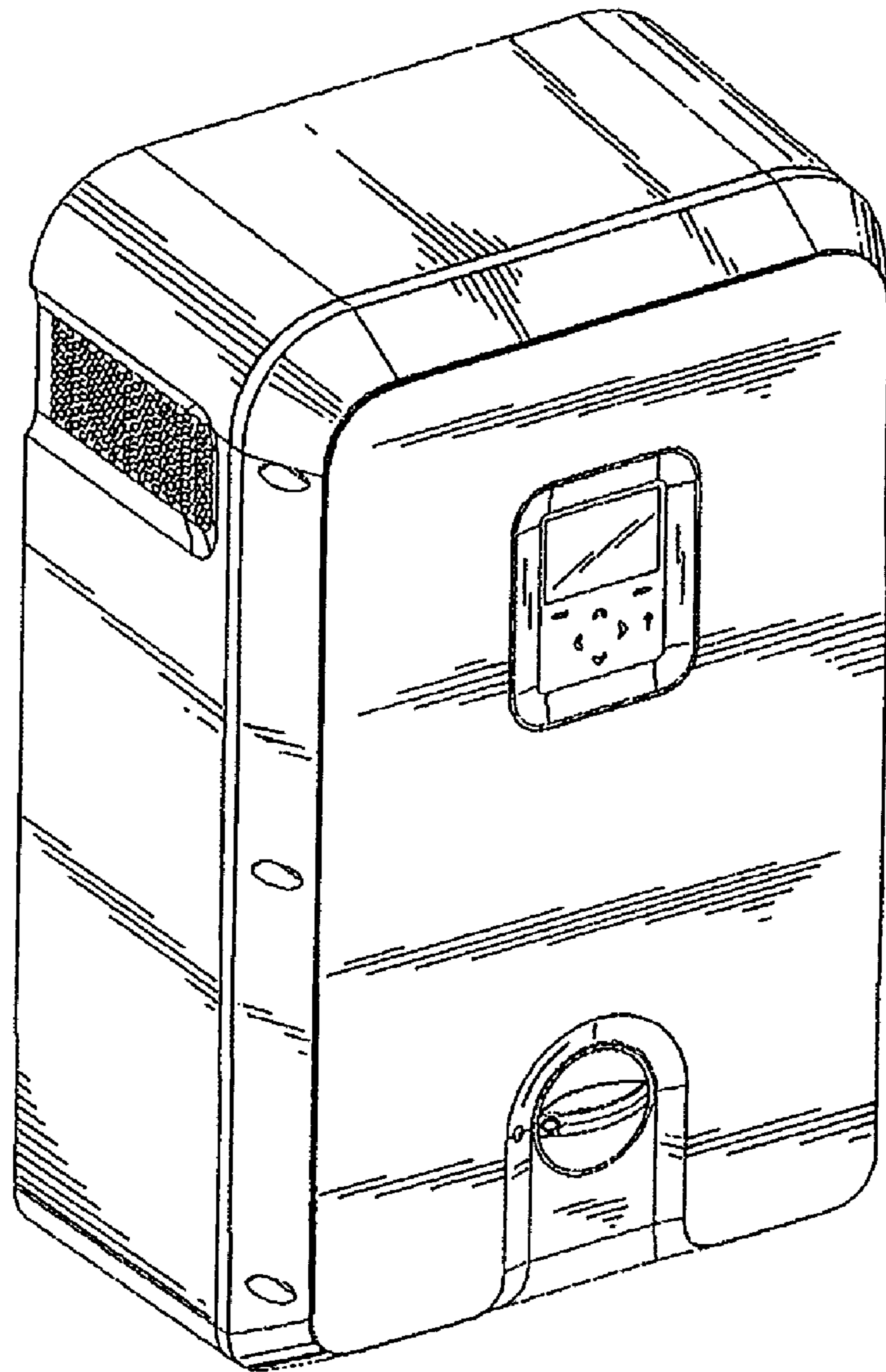


FIGURE 1

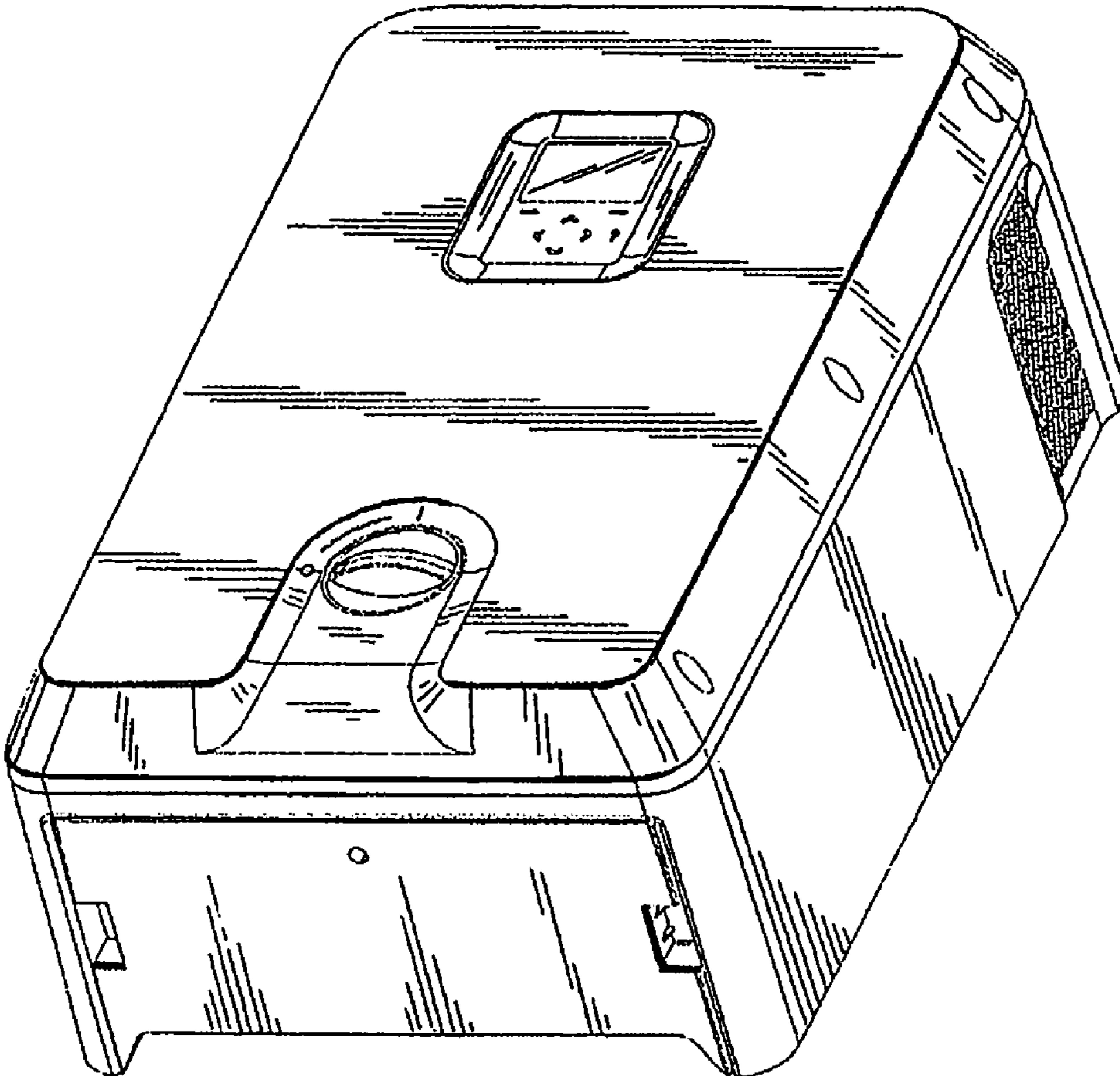


FIGURE 2

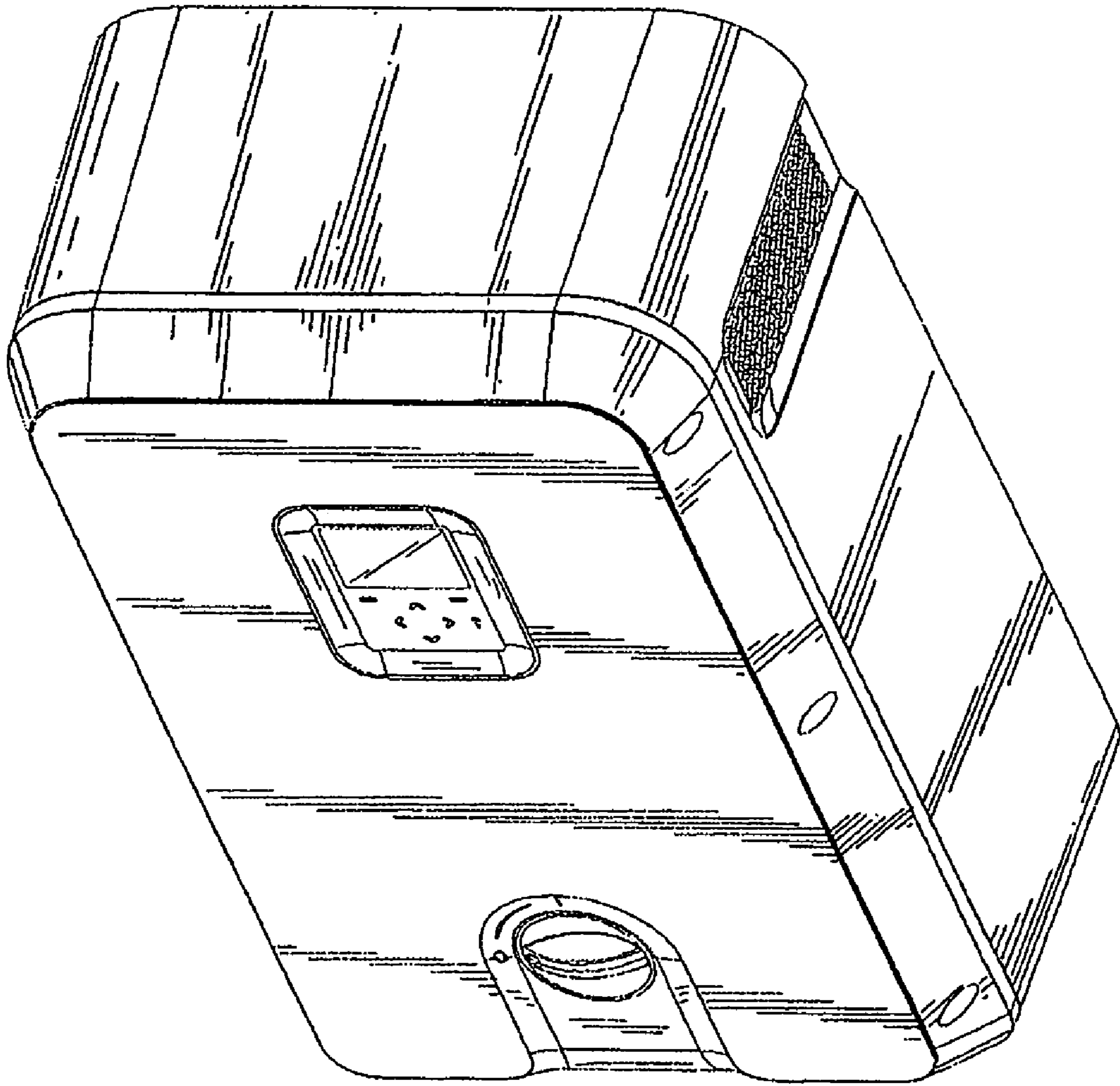


FIGURE 3



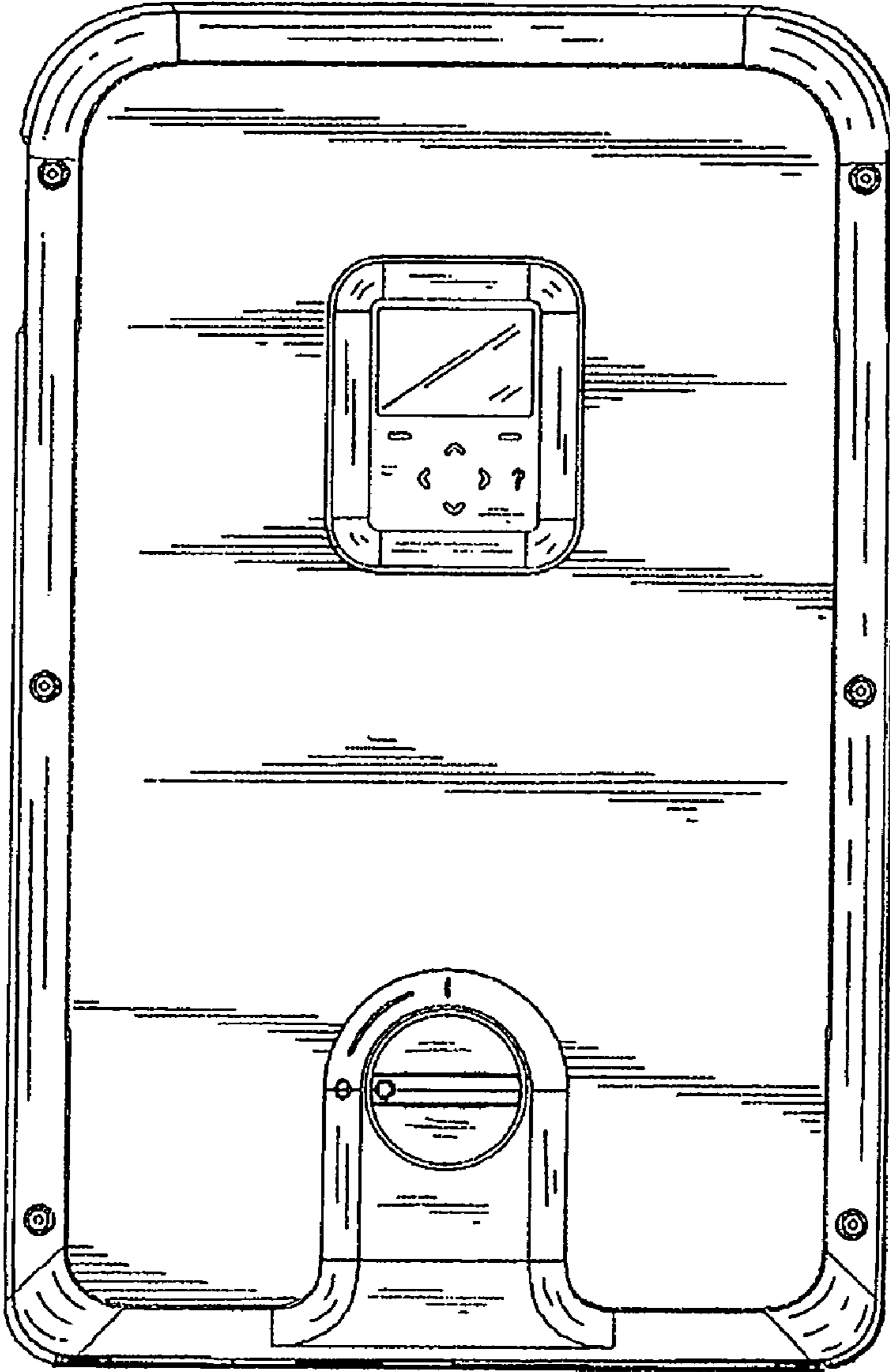


FIGURE 4

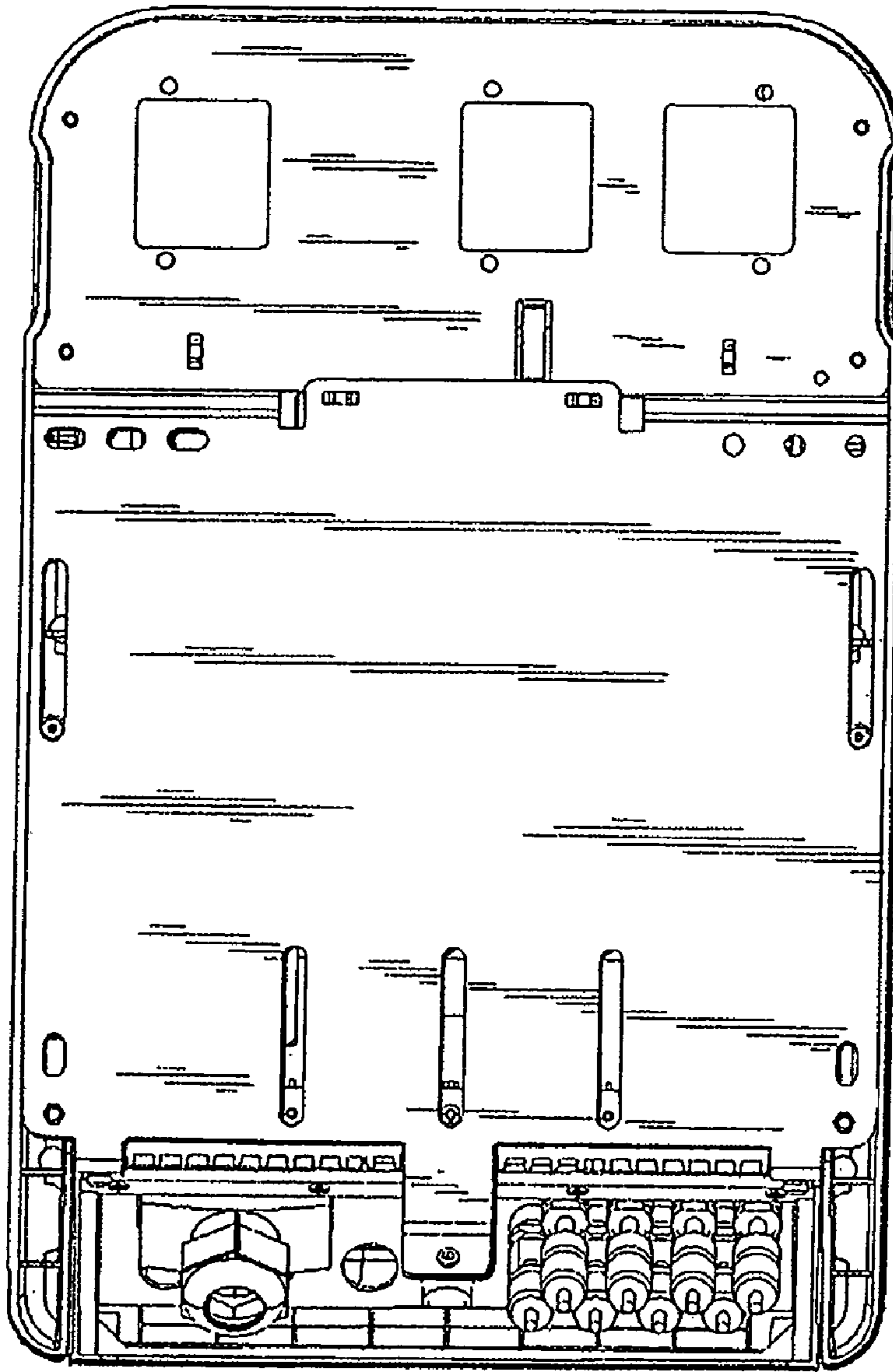


FIGURE 5

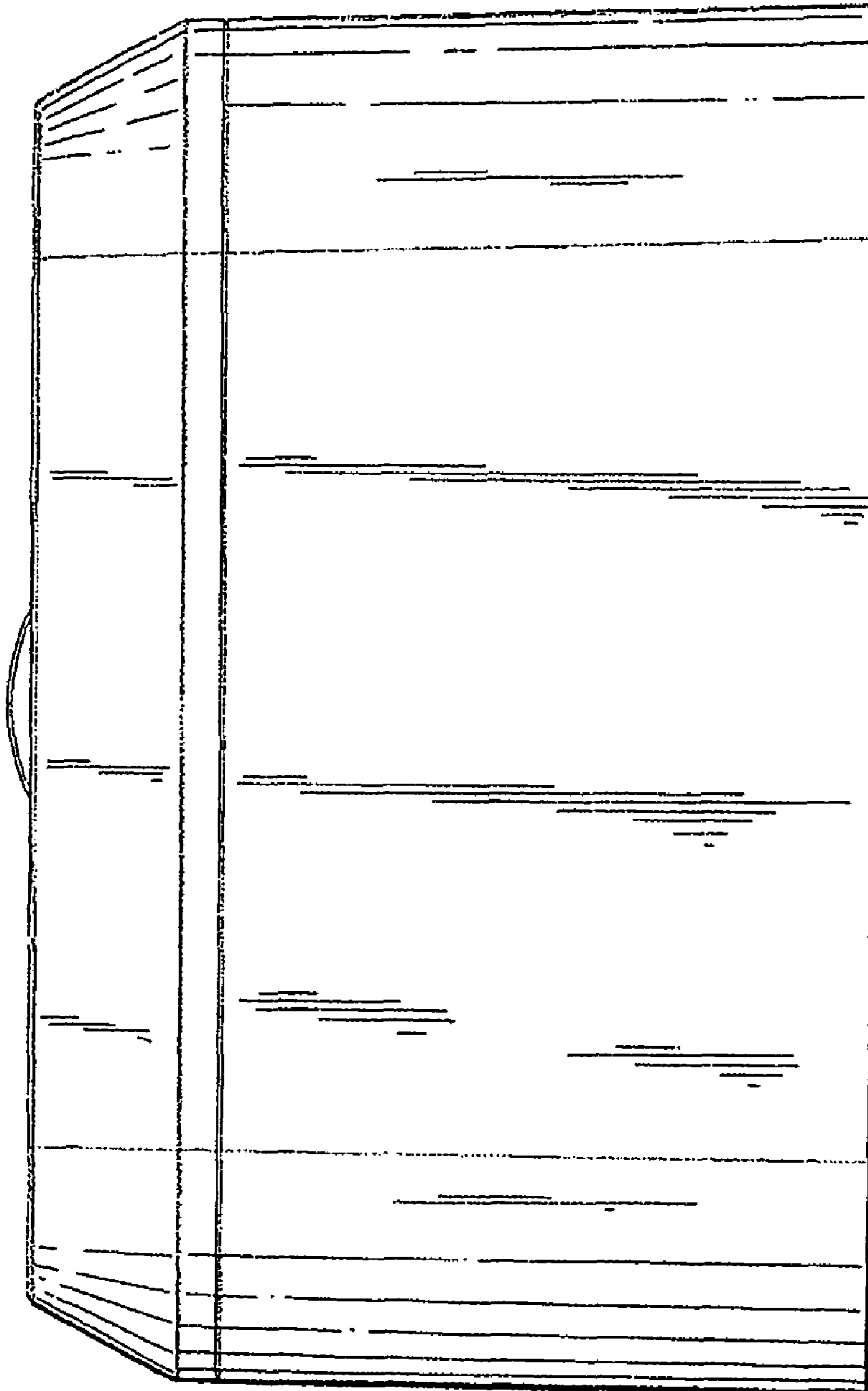


FIGURE 6

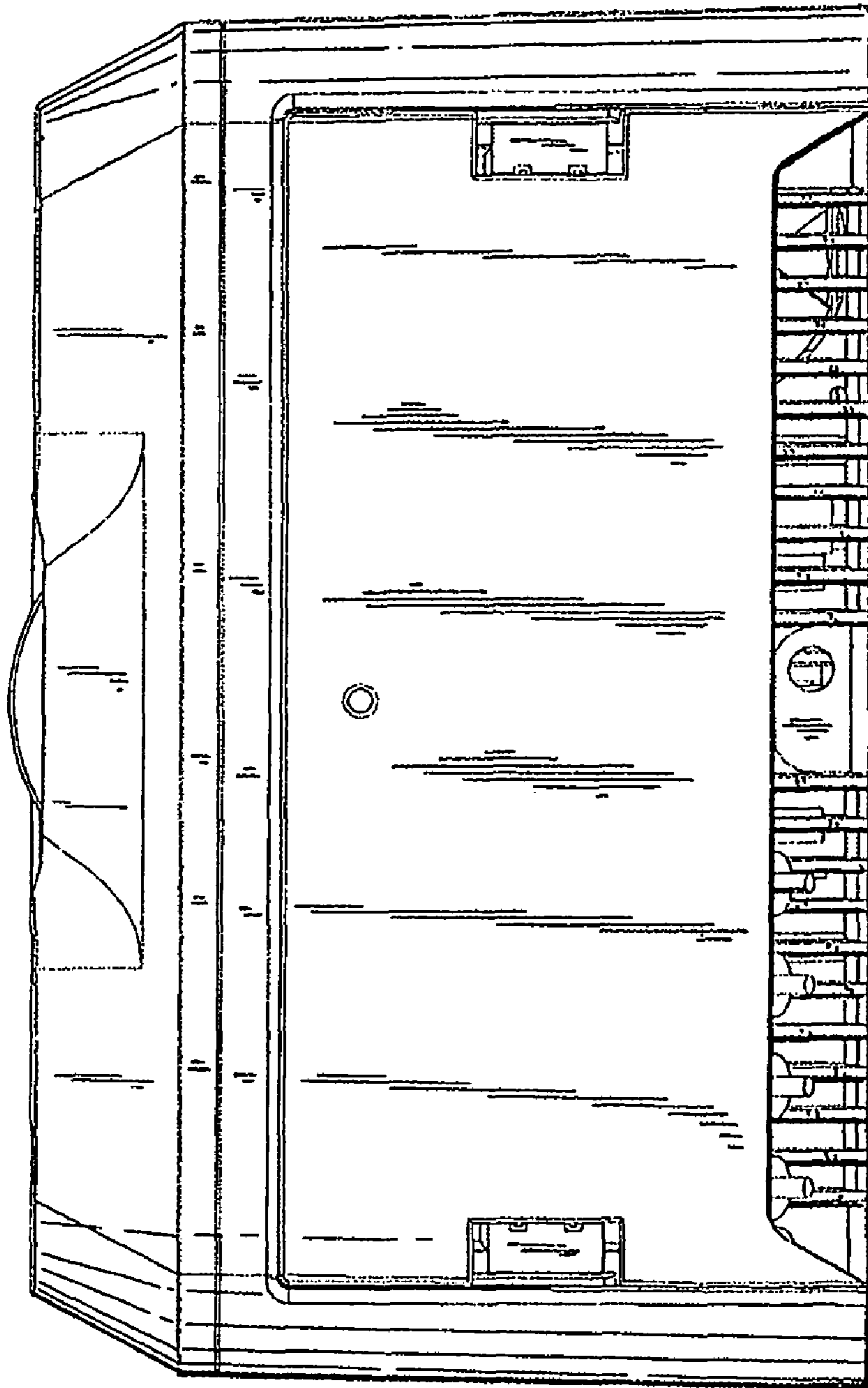


FIGURE 7



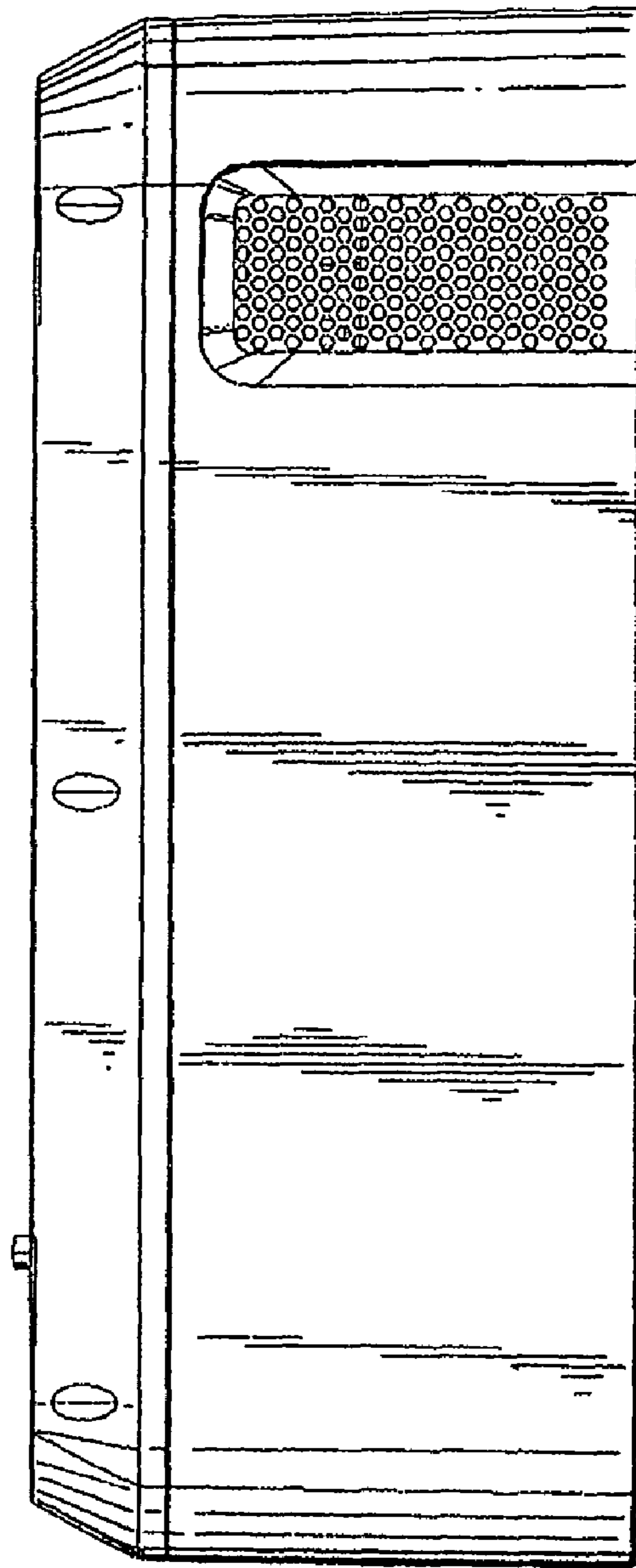


FIGURE 8

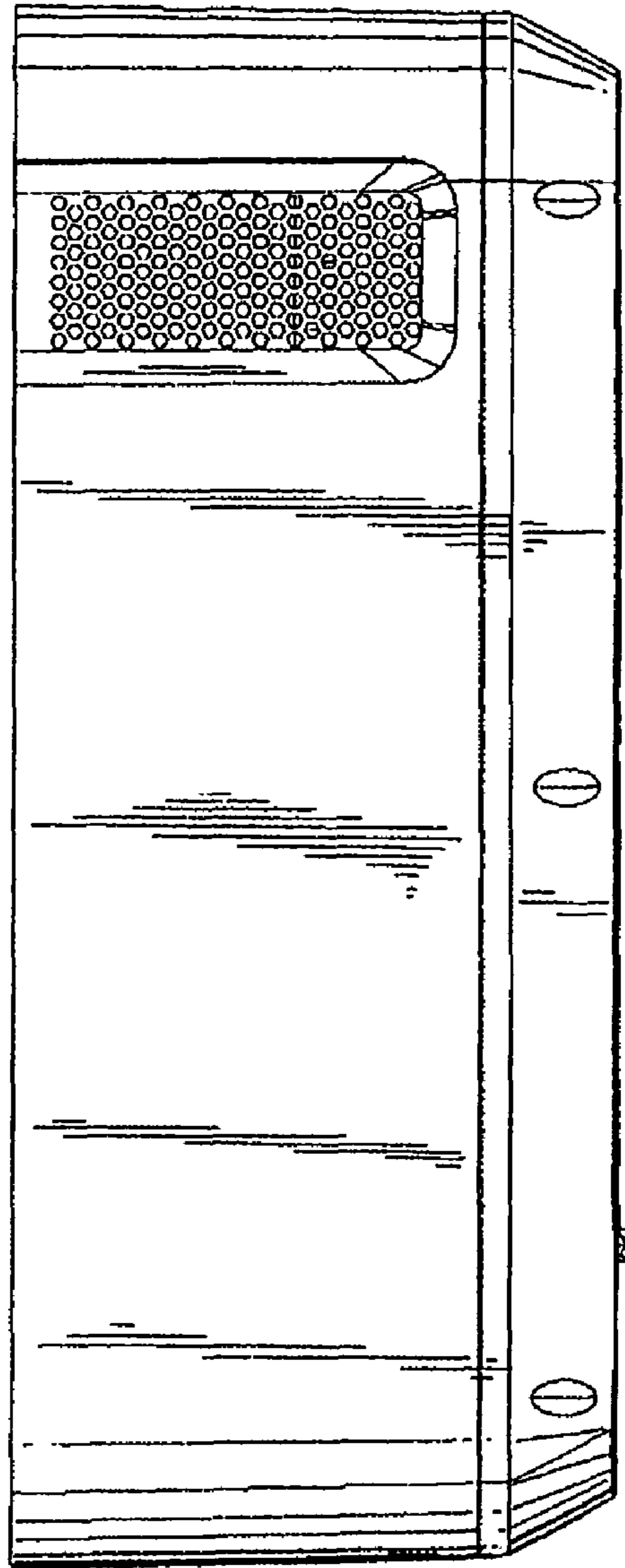


FIGURE 9