



US00D677221S

(12) **United States Design Patent**
McSweyn

(10) **Patent No.:** **US D677,221 S**
(45) **Date of Patent:** **** Mar. 5, 2013**

(54) **HOME CHARGER**

(75) Inventor: **Christopher McSweyn**, Oxnard, CA
(US)

(73) Assignee: **Scosche Industries, Inc.**, Oxnard, CA
(US)

(**) Term: **14 Years**

(21) Appl. No.: **29/427,651**

(22) Filed: **Jul. 20, 2012**

(51) **LOC (9) Cl.** **13-02**

(52) **U.S. Cl.** **D13/108**

(58) **Field of Classification Search** D13/107-108,
D13/110, 118-119, 123, 133, 137.1, 184,
D13/199; 439/105, 166, 170-175, 218, 518,
439/692, 956; 320/107-115; 307/150, 151;
D14/433

See application file for complete search history.

(56) **References Cited**

U.S. PATENT DOCUMENTS

| | | | |
|--------------|--------|-----------------------|---------|
| D425,022 S * | 5/2000 | Jaag et al. | D13/133 |
| D430,882 S * | 9/2000 | Tsai | D14/434 |
| D521,504 S * | 5/2006 | Nagel et al. | D14/240 |
| D526,616 S * | 8/2006 | Nakashima et al. | D13/133 |
| D559,848 S * | 1/2008 | Siu | D14/433 |
| D560,165 S * | 1/2008 | Matityahu et al. | D13/133 |

| | | | |
|-------------------|---------|---------------------|---------|
| D585,306 S * | 1/2009 | Oas | D10/2 |
| D601,501 S * | 10/2009 | Kaibara et al. | D13/110 |
| D638,357 S * | 5/2011 | Sasada et al. | D13/110 |
| D647,476 S * | 10/2011 | Ciou | D13/110 |
| D650,330 S * | 12/2011 | Dong | D13/108 |
| D653,208 S * | 1/2012 | Au | D13/108 |
| D653,615 S * | 2/2012 | Au | D13/108 |
| D659,095 S * | 5/2012 | McManigal | D13/110 |
| 2003/0151938 A1 * | 8/2003 | Liao | 363/146 |
| 2010/0117597 A1 * | 5/2010 | Wang | 320/111 |

* cited by examiner

Primary Examiner — Rosemary K Tarcza

(74) *Attorney, Agent, or Firm* — Arent Fox LLP

(57) **CLAIM**

The ornamental design for a home charger, as shown and described.

DESCRIPTION

FIG. 1 is a top and front perspective view of a home charger showing my new design;

FIG. 2 is a bottom and rear perspective view thereof;

FIG. 3 is a side view thereof;

FIG. 4 is a front view thereof;

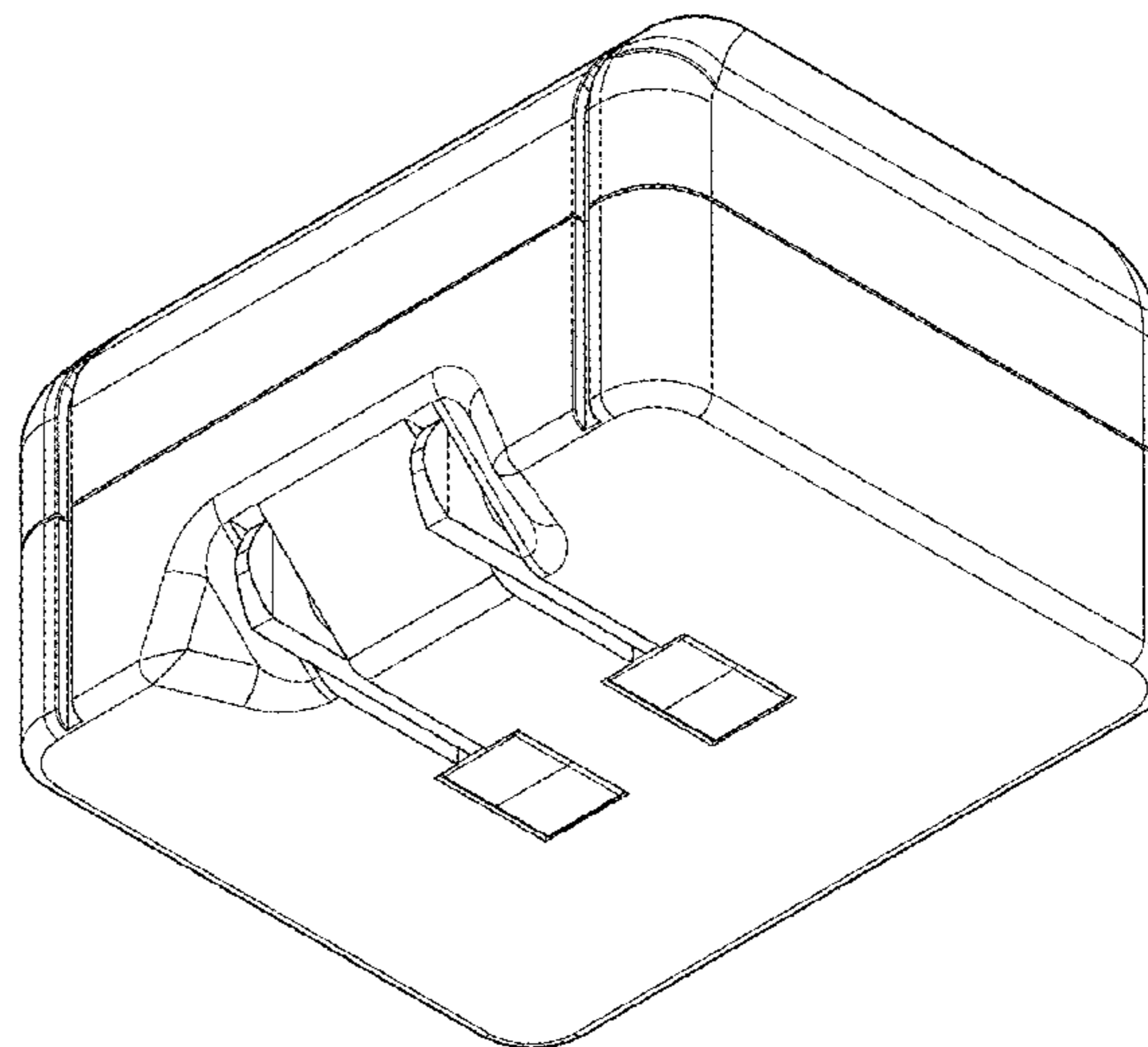
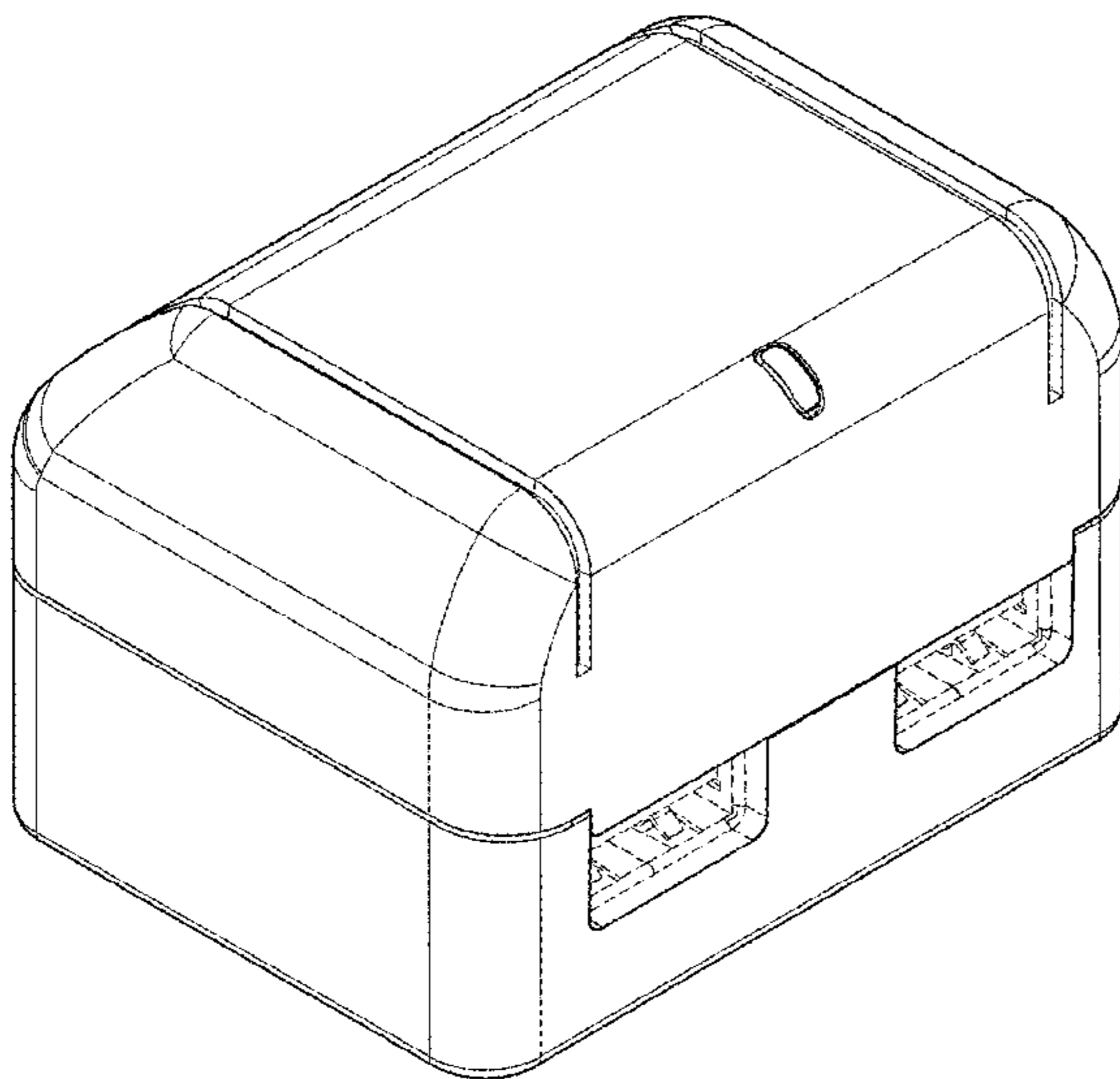
FIG. 5 is a back view thereof;

FIG. 6 is a top view thereof; and,

FIG. 7 is a bottom view thereof.

Portions of FIGS. 1 and 4 are shown in dashed lines for illustrative purposes only and form no part of the claimed design.

1 Claim, 7 Drawing Sheets



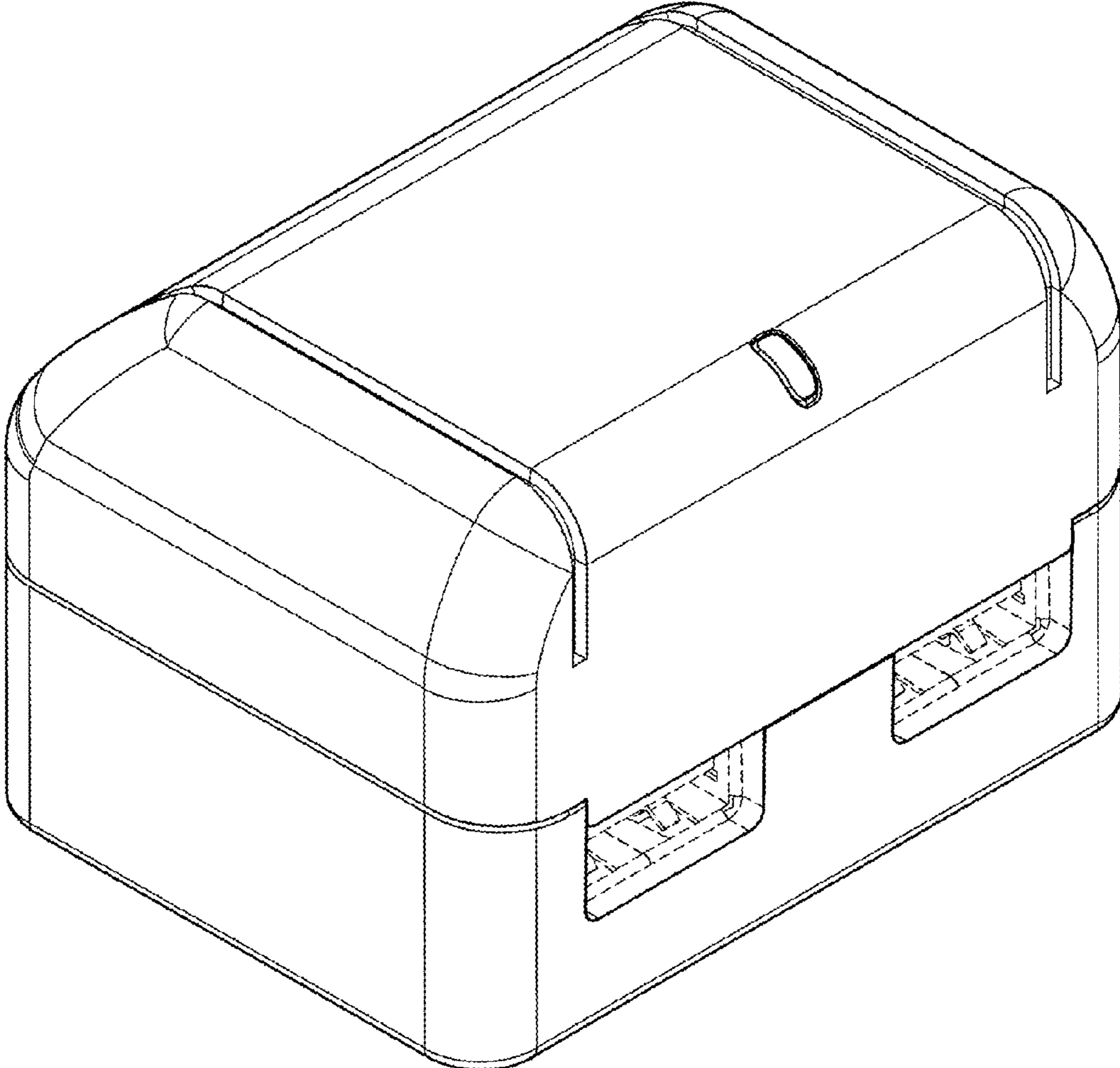


FIG. 1

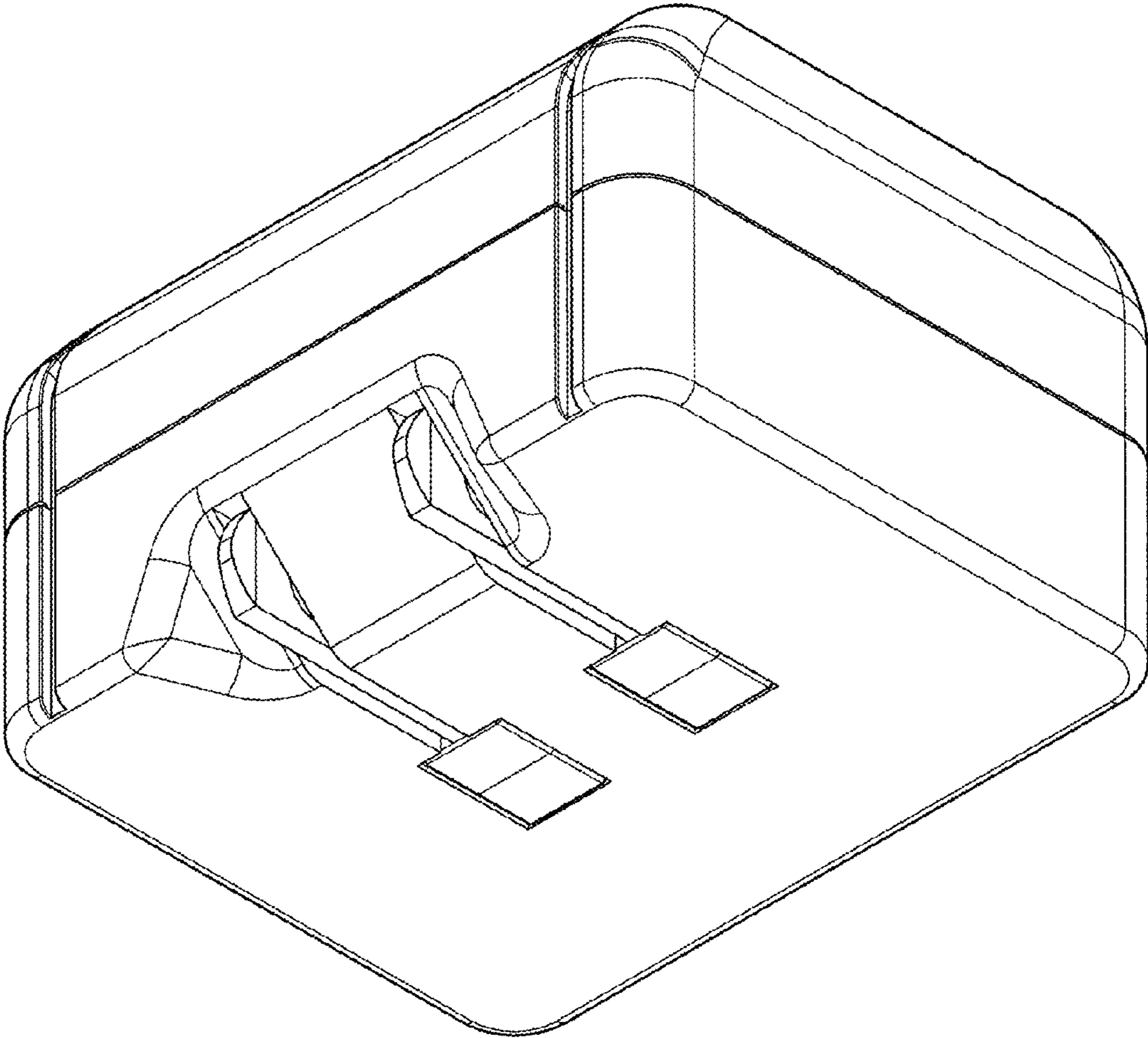


FIG. 2

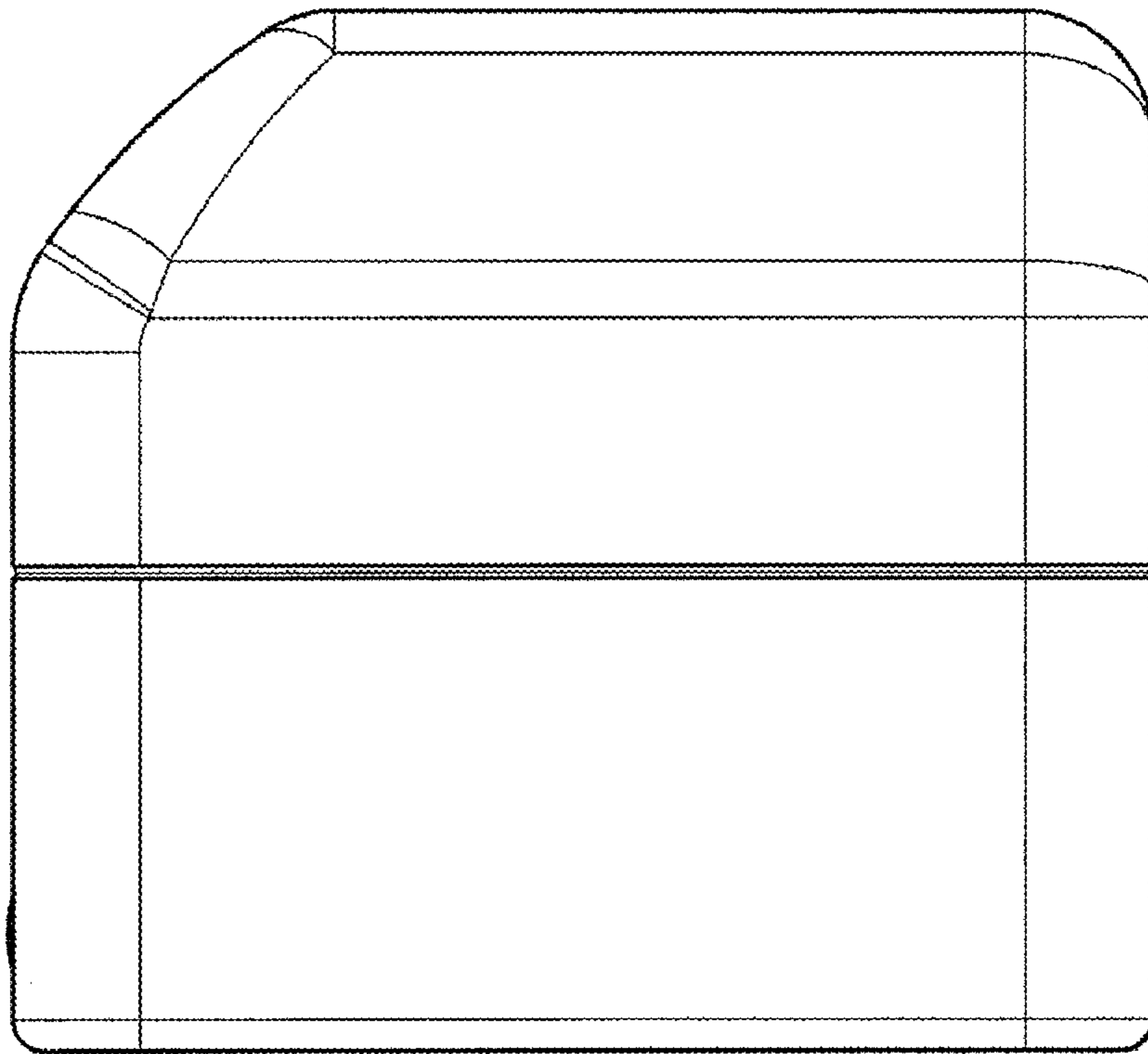


FIG. 3

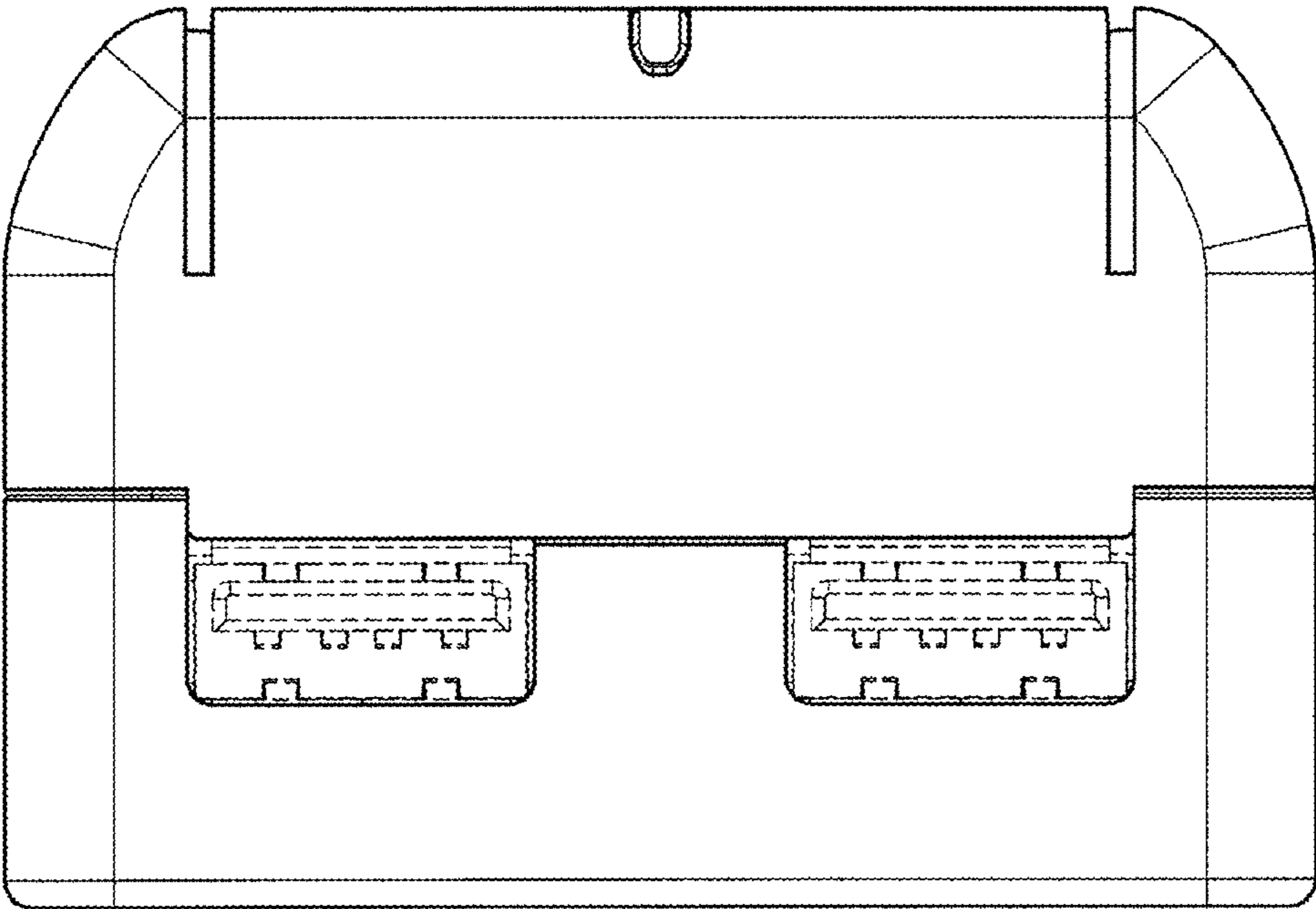


FIG. 4

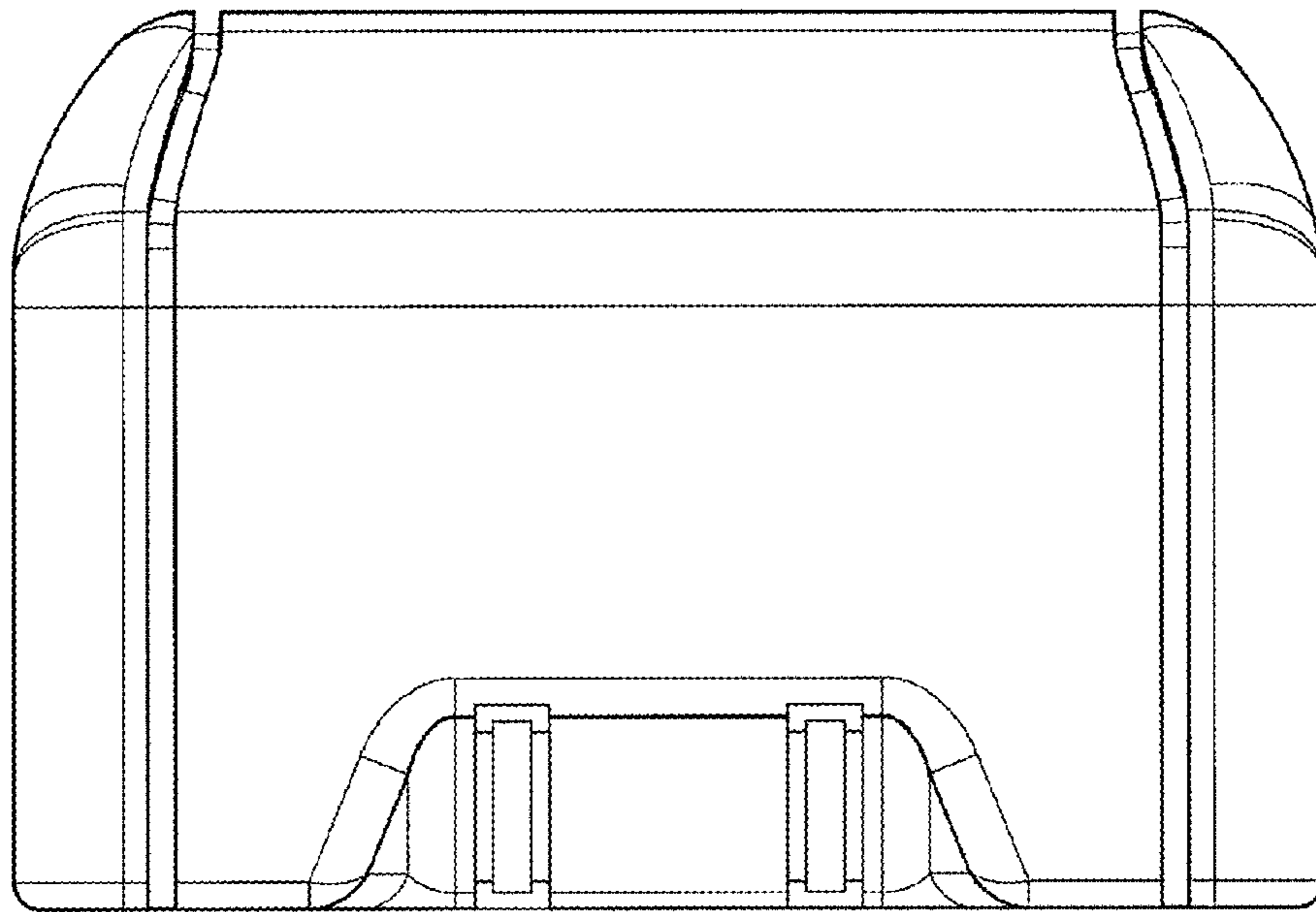


FIG. 5

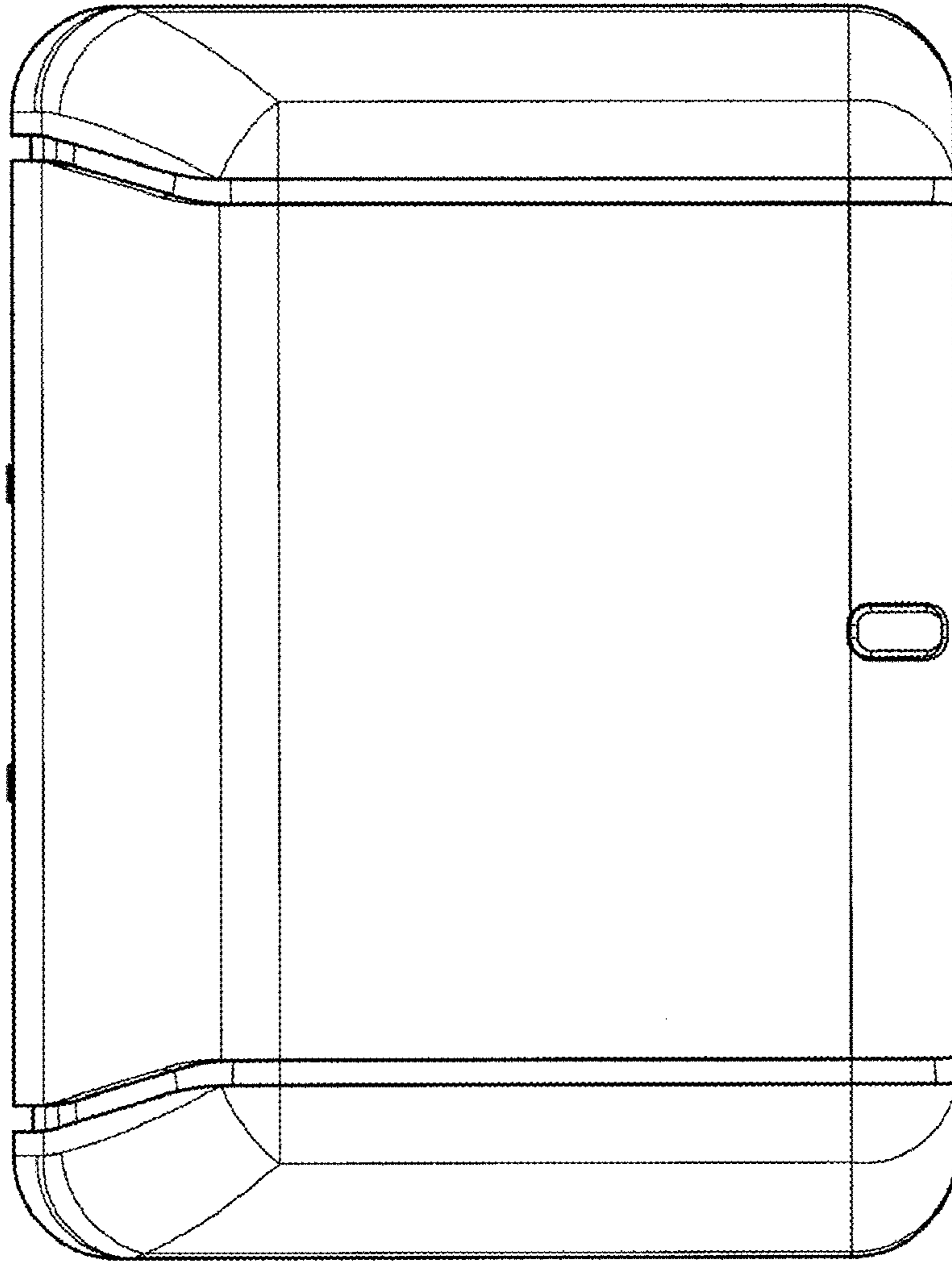


FIG. 6

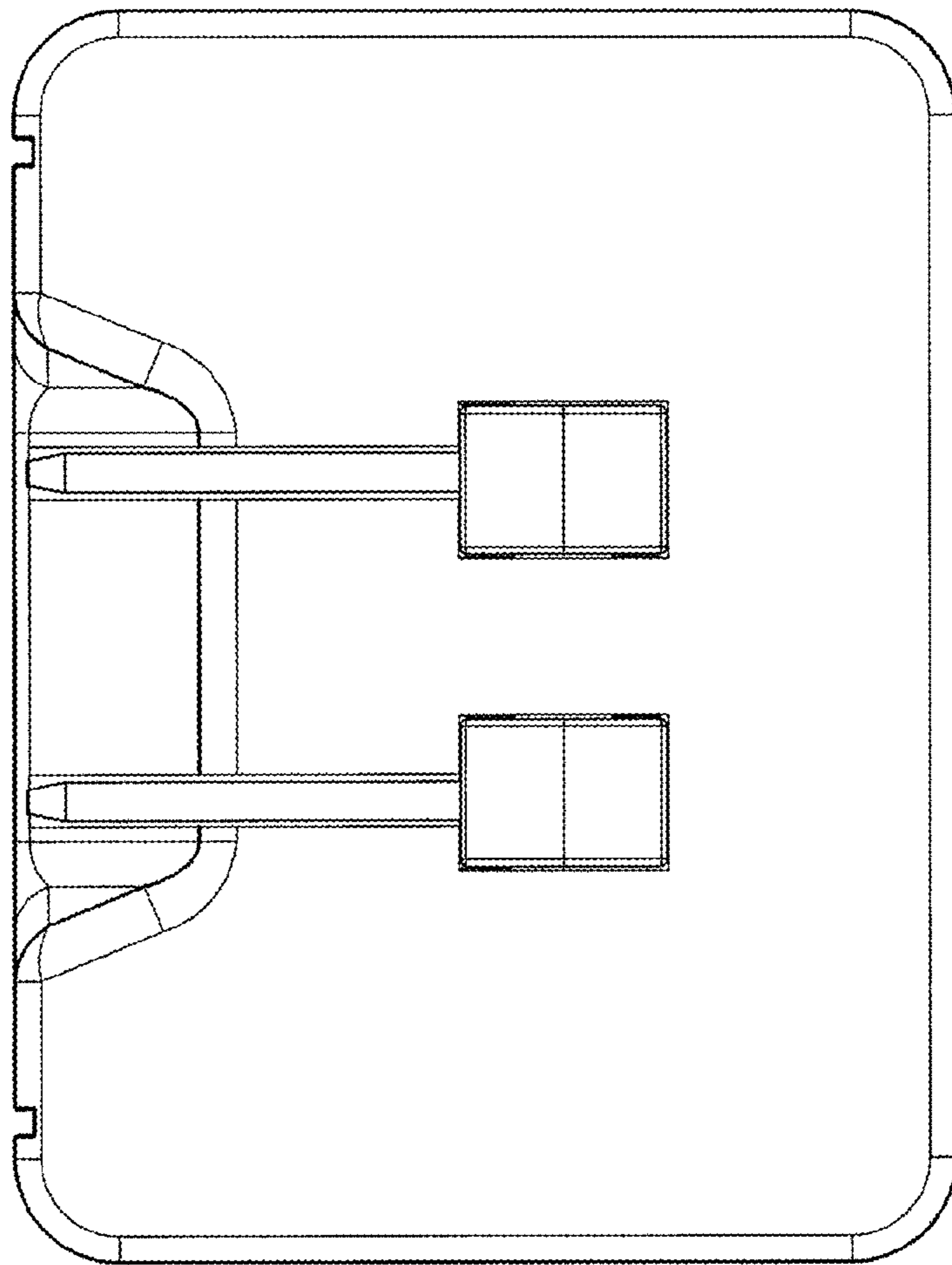


FIG. 7