



US00D677214S

(12) **United States Design Patent**
Wendling

(10) **Patent No.:** **US D677,214 S**

(45) **Date of Patent:** **** Mar. 5, 2013**

(54) **CADDY FOR AN AUTOMOBILE CENTER CONSOLE**

(76) Inventor: **Rhonda Wendling**, Bradley, IL (US)

(**) Term: **14 Years**

(21) Appl. No.: **29/429,217**

(22) Filed: **Aug. 8, 2012**

Related U.S. Application Data

(62) Division of application No. 12/384,493, filed on Apr. 6, 2009, now abandoned.

(51) **LOC (9) Cl.** **12-16**

(52) **U.S. Cl.** **D12/415**

(58) **Field of Classification Search** D12/415-419, D12/191, 106, 96, 400, 195, 345, 99; 312/246; 296/37.1-37.8, 70, 24.1, 24.2, 24.3, 137.1, 296/97.1, 97.2, 97.4, 97.5, 97.6, 97.7, 97.8, 296/180.1; 224/311, 539, 281, 118.1, 275; D8/354; D14/451-452; 248/278.1, 274.1, 248/284.1; D9/423; D3/319; 160/370.21, 160/370.23, 370.22

See application file for complete search history.

(56) **References Cited**

U.S. PATENT DOCUMENTS

3,136,471	A	6/1964	Brastad	
D199,462	S	10/1964	Zack et al.	
D216,780	S	*	3/1970	Tronville et al. D12/179
3,561,589	A	2/1971	Larkin, Jr. et al.	
3,670,936	A	6/1972	Pronovost et al.	
D232,871	S	9/1974	George et al.	
4,020,986	A	5/1977	McAtee	
D249,904	S	10/1978	Monopoli	
4,396,172	A	*	8/1983	Benson 244/129.1
D273,165	S	*	3/1984	Sternberg D6/495
D279,329	S	*	6/1985	Dzak D12/415
D279,426	S	*	7/1985	Dzak D12/415

D302,356	S	7/1989	Bell et al.	
D429,674	S	*	8/2000	Walterscheid et al. D12/195
D473,182	S	*	4/2003	Pfeiffer et al. D12/415
D485,801	S	*	1/2004	Smith D12/415
D540,738	S	*	4/2007	Hatch D12/415

* cited by examiner

Primary Examiner — Katrina A Betton

(74) *Attorney, Agent, or Firm* — Montgomery Patent & Design LLC; Robert C. Montgomery

(57) **CLAIM**

The ornamental design for a caddy for an automobile center console, as shown and described.

DESCRIPTION

FIG. 1 is a perspective top view of a caddy for an automobile center console depicted with a front and a rear wall in a down position and longitudinal side walls in an up position, showing my new design;

FIG. 2 is front view of the caddy for an automobile center console of FIG. 1 with a rear view being a mirror image;

FIG. 3 is a left side view of the caddy for an automobile center console of FIG. 1;

FIG. 4 is a right side view of the caddy for an automobile center console of FIG. 1;

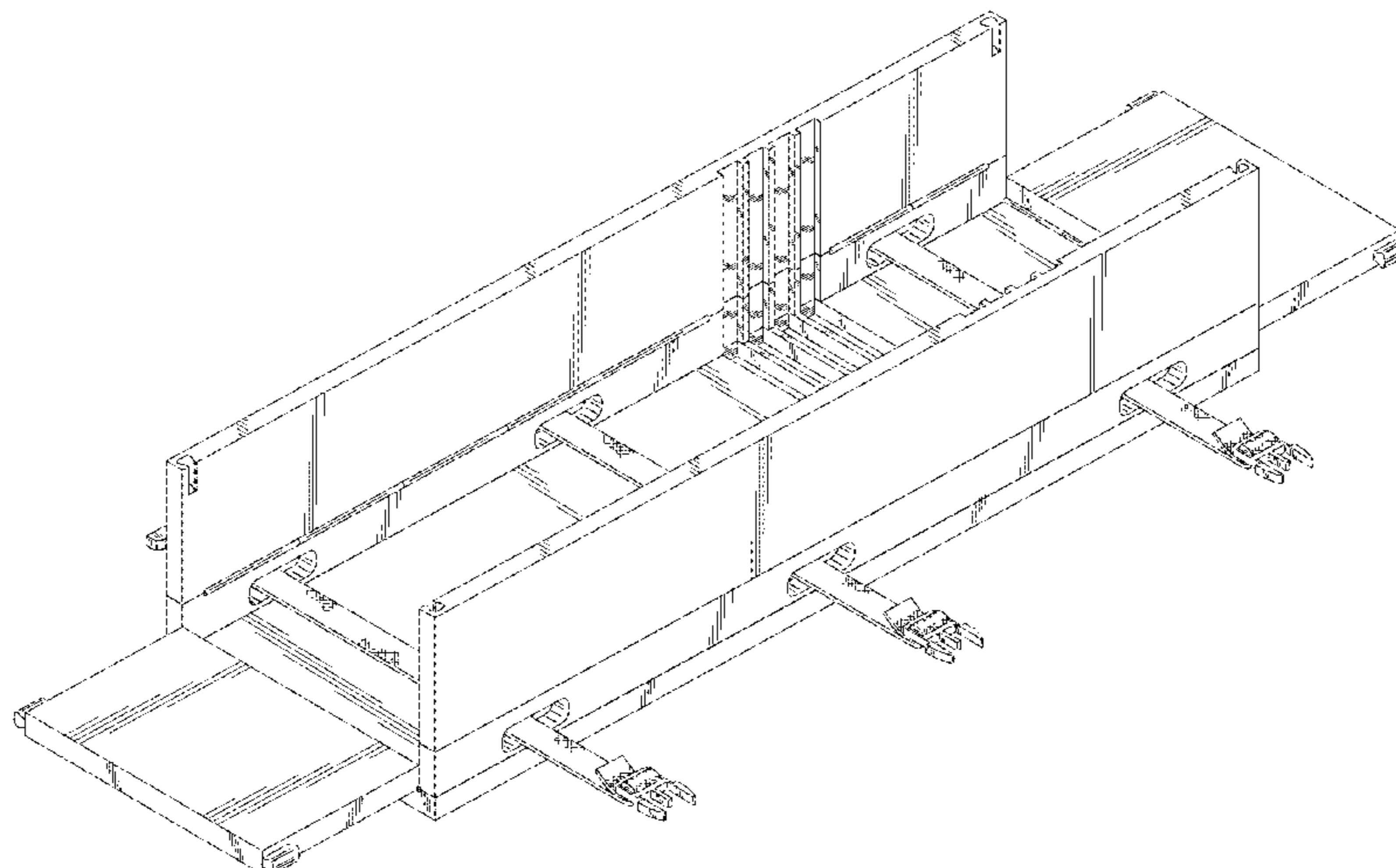
FIG. 5 is a top view of the caddy for an automobile center console of FIG. 1;

FIG. 6 is a bottom view of the caddy for an automobile center console of FIG. 1;

FIG. 7 is a perspective top view of the caddy for an automobile center console depicted with the front, rear, and longitudinal side walls in a down position; and,

FIG. 8 is a perspective top view of the caddy for an automobile center console depicted with the front, rear, and longitudinal side walls in an up position.

1 Claim, 8 Drawing Sheets



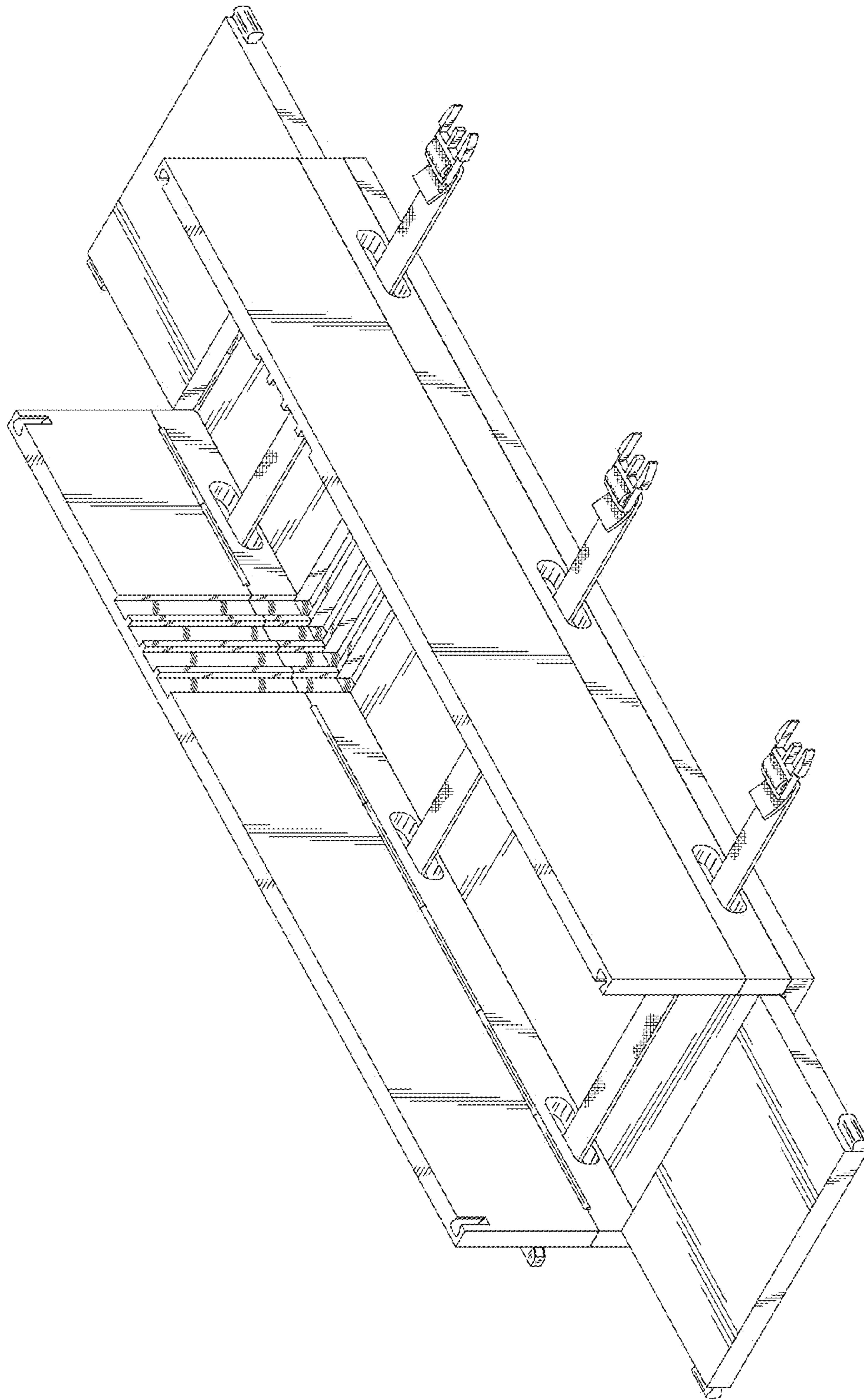


Fig. 1

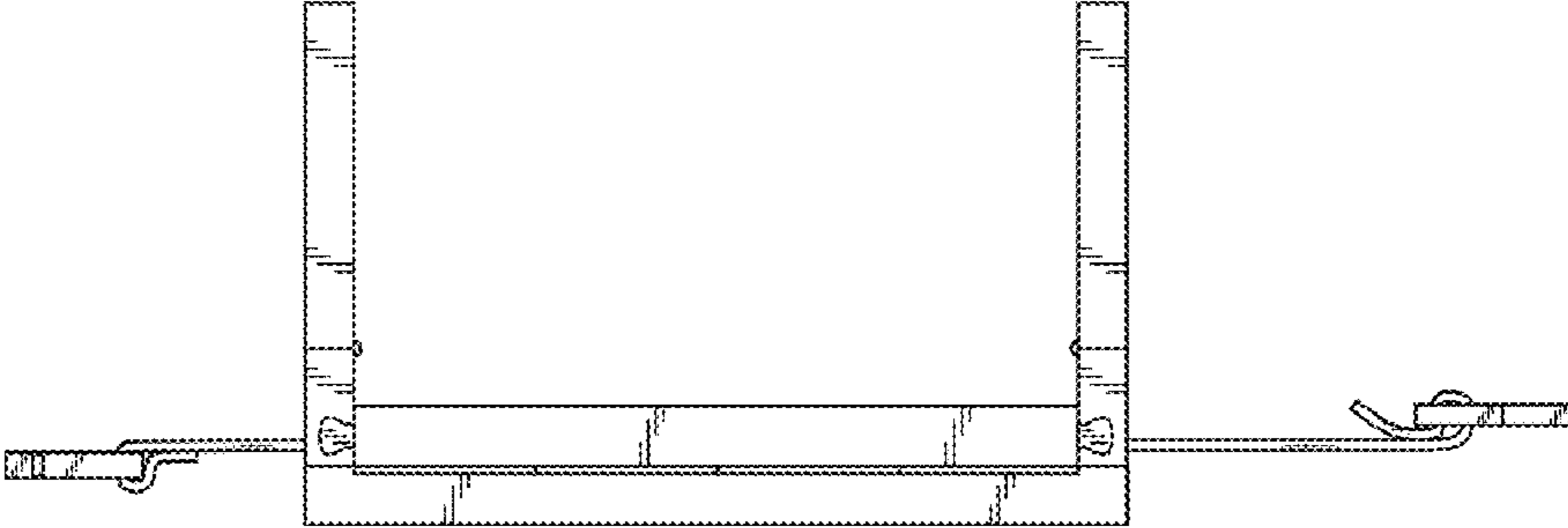


Fig. 2

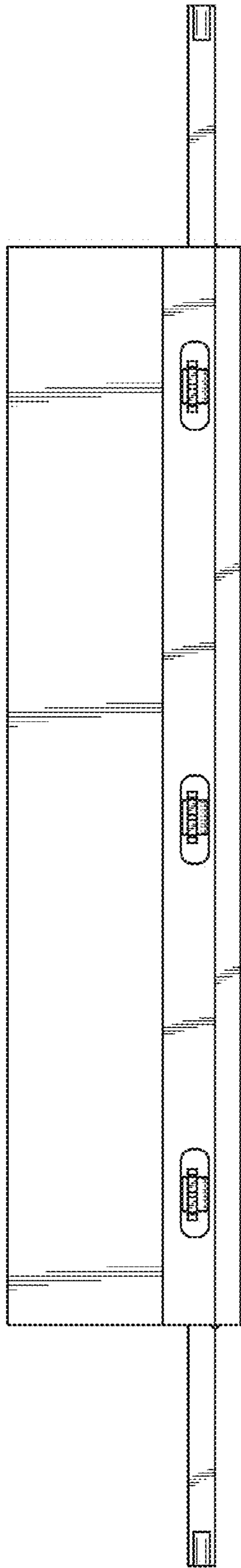


Fig. 3

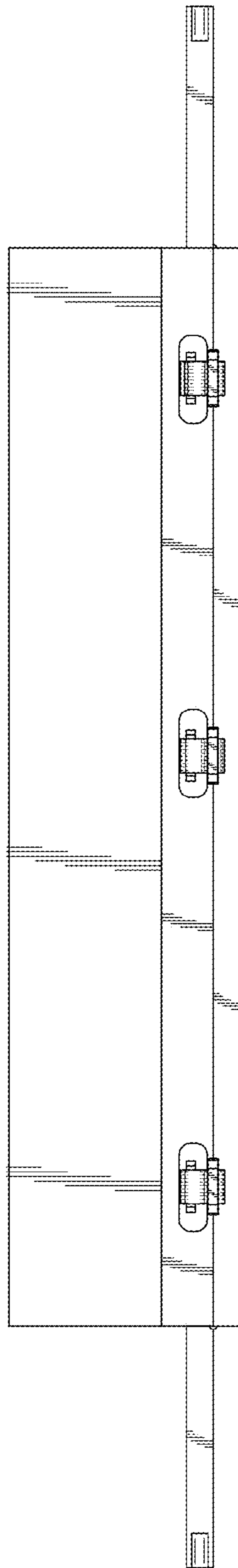


Fig. 4

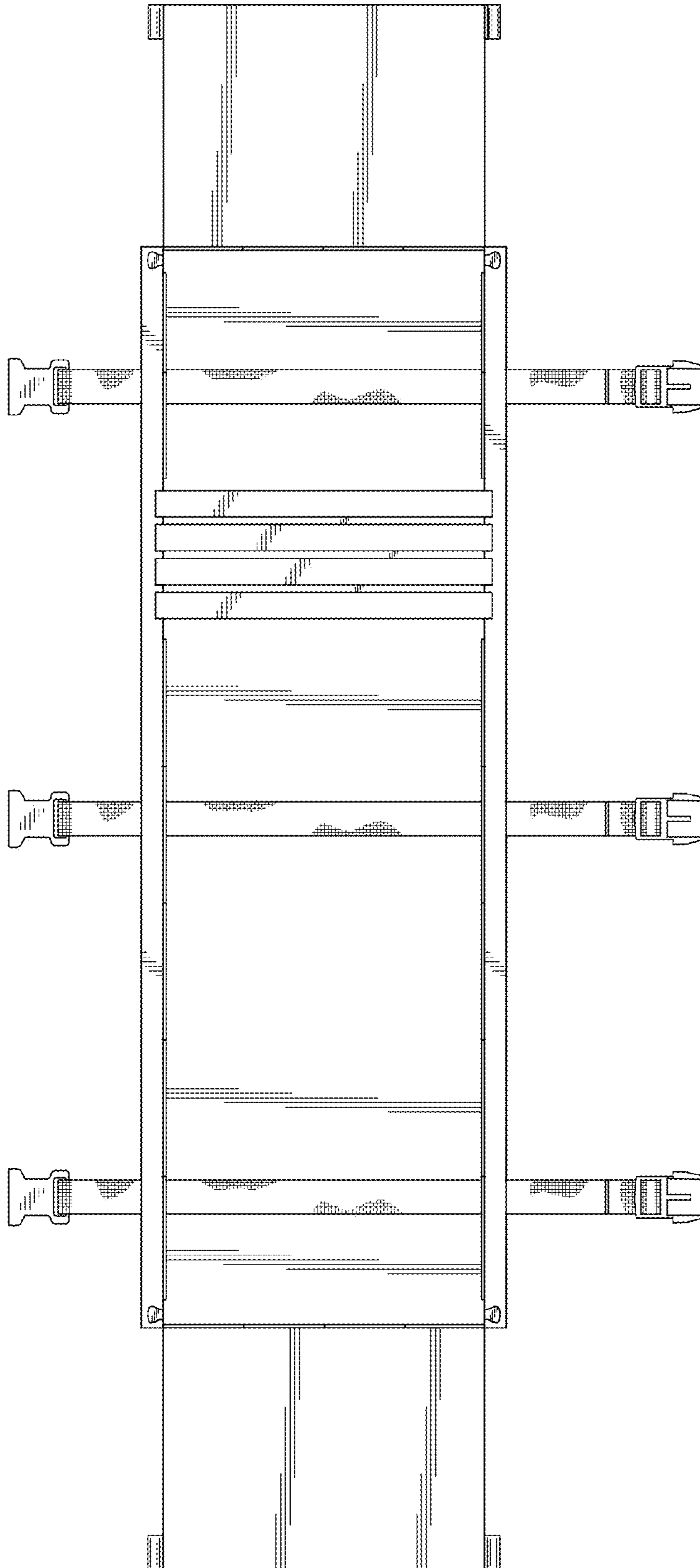


Fig. 5

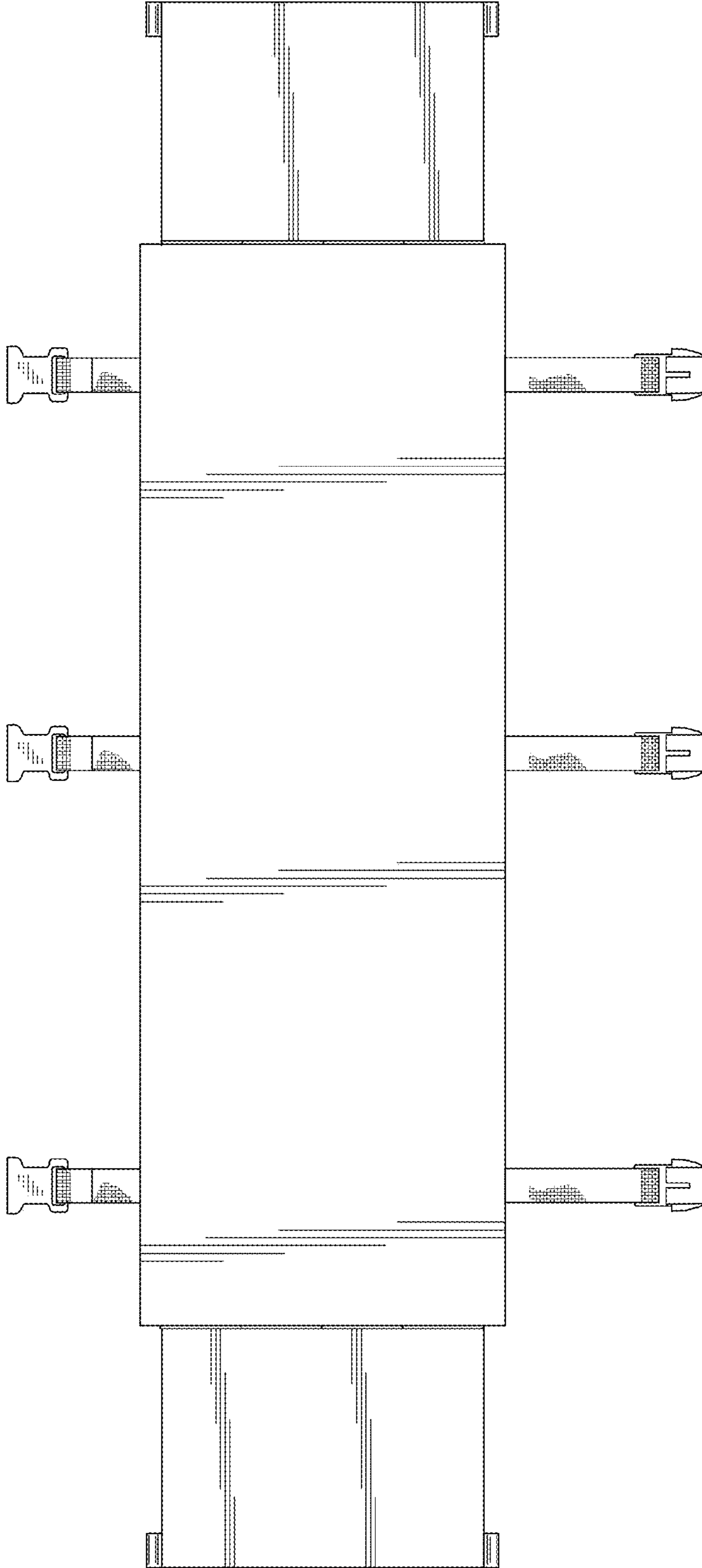


Fig. 6

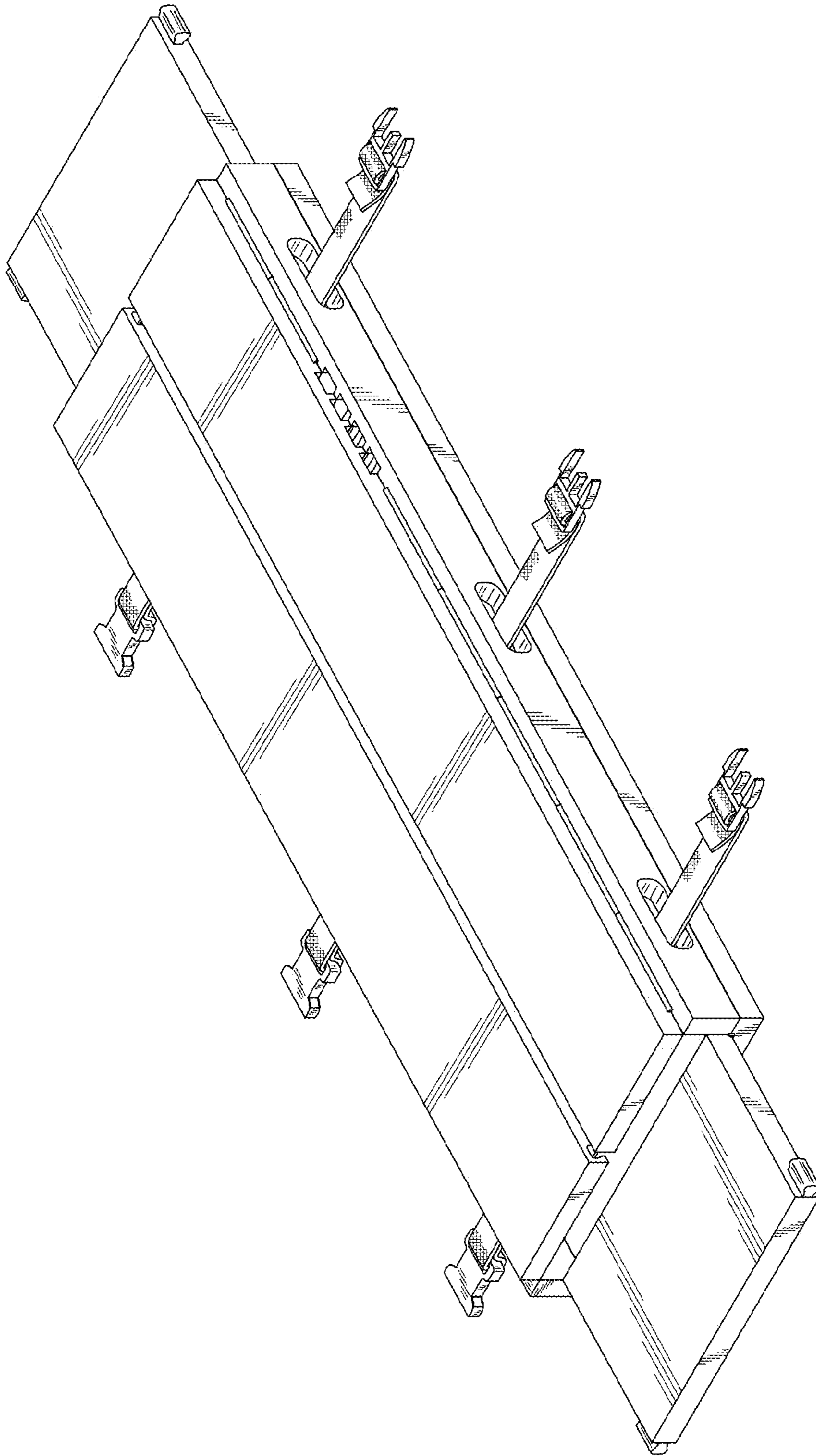


Fig. 7

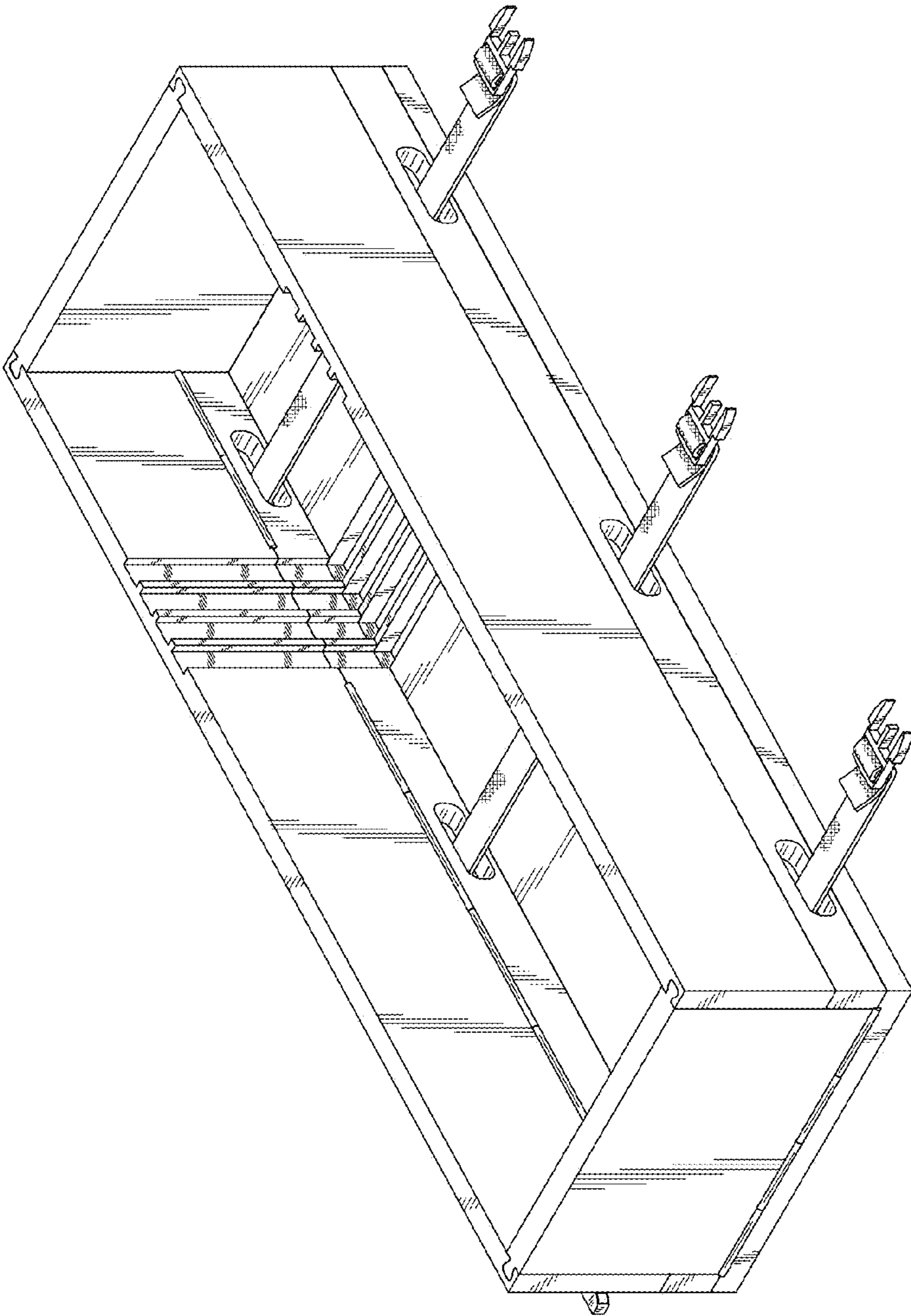


Fig. 8