



US00D677212S

(12) **United States Design Patent**
Schrag

(10) **Patent No.:** **US D677,212 S**
(45) **Date of Patent:** **** Mar. 5, 2013**

(54) **DUAL DISPLAY ARRANGEMENT FOR AN AIRCRAFT CONSOLE**

(75) Inventor: **Allan Schrag**, Wichita, KS (US)

(73) Assignee: **Textron Innovations, Inc.**, Providence, RI (US)

(**) Term: **14 Years**

(21) Appl. No.: **29/400,571**

(22) Filed: **Aug. 30, 2011**

(51) **LOC (9) Cl.** **12-16**

(52) **U.S. Cl.** **D12/415**

(58) **Field of Classification Search** D12/415,
D12/416, 417, 418, 419, 420; 296/36; 22/539;
224/404; 248/274.1, 284.1; D8/354; D9/423;
D14/451-452

See application file for complete search history.

(56) **References Cited**

U.S. PATENT DOCUMENTS

D295,969 S *	5/1988	Hooks et al.	D12/424
D314,739 S *	2/1991	Mallone	D12/424
D320,587 S *	10/1991	Kapp et al.	D12/418
D425,475 S	5/2000	Herer		
6,264,273 B1	7/2001	Waters, Sr.		
D451,928 S	12/2001	Van Huong		
D553,554 S	10/2007	Figueiredo		
D556,107 S	11/2007	Figueiredo		
D576,820 S	9/2008	Priestman		
D576,821 S	9/2008	Fisette et al.		
D577,501 S	9/2008	Fisette et al.		
D577,502 S	9/2008	Fisette et al.		
D577,503 S	9/2008	Priestman		
D589,870 S	4/2009	Saint-Jalms et al.		
D591,665 S	5/2009	Saint-Jalms et al.		
D592,126 S	5/2009	da Silveira et al.		

D608,366 S	1/2010	Matas		
7,665,693 B2	2/2010	Bettell		
D626,903 S *	11/2010	Vermeersch et al.	D12/192
D630,159 S	1/2011	Saint-Jalms et al.		
D634,698 S	3/2011	Saint-Jalms et al.		
7,966,952 B2	6/2011	Fisette et al.		
2009/0078169 A1	3/2009	Osborne et al.		
2009/0146004 A1	6/2009	Plant		
2009/0284476 A1	11/2009	Bull et al.		
2010/0224727 A1	9/2010	Bauer et al.		
2010/0293462 A1	11/2010	Bull et al.		

* cited by examiner

Primary Examiner — Katrina A Betton

(74) *Attorney, Agent, or Firm* — Lathrop & Gage LLP

(57) **CLAIM**

The ornamental design for an dual display arrangement for an aircraft console, as shown and described.

DESCRIPTION

This application is also related to commonly-owned and cofiled U.S. Design patent application Ser. No. 29/400,582, entitled Display for an Aircraft Console, filed Aug. 30, 2011, U.S. Design patent application Ser. No. 29/400,579, entitled Article Holding Area for an Aircraft Console, filed Aug. 30, 2011, and U.S. Design patent application Ser. No. 29/400,572, entitled Aircraft Console, filed Aug. 30, 2011.

FIG. 1 is a top front perspective view of a dual display arrangement for an aircraft console which embodies my new and original design therefore;

FIG. 2 is a front elevational view thereof;

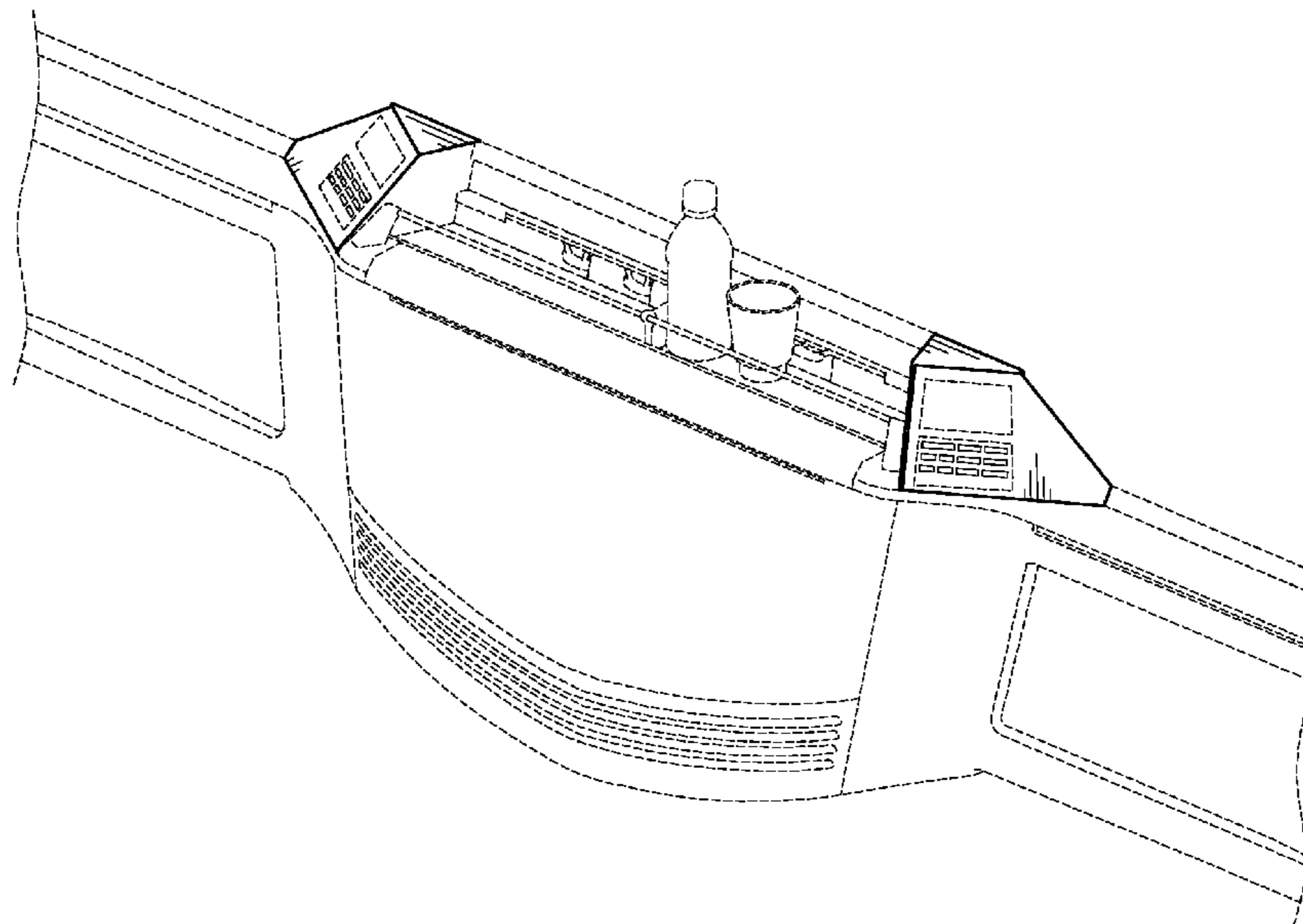
FIG. 3 is a top plan view thereof;

FIG. 4 is a left hand side elevational view thereof; and,

FIG. 5 is a right hand side elevational view thereof.

The broken lines in the drawings are for illustrative purposes only and form no part of the claimed design.

1 Claim, 4 Drawing Sheets



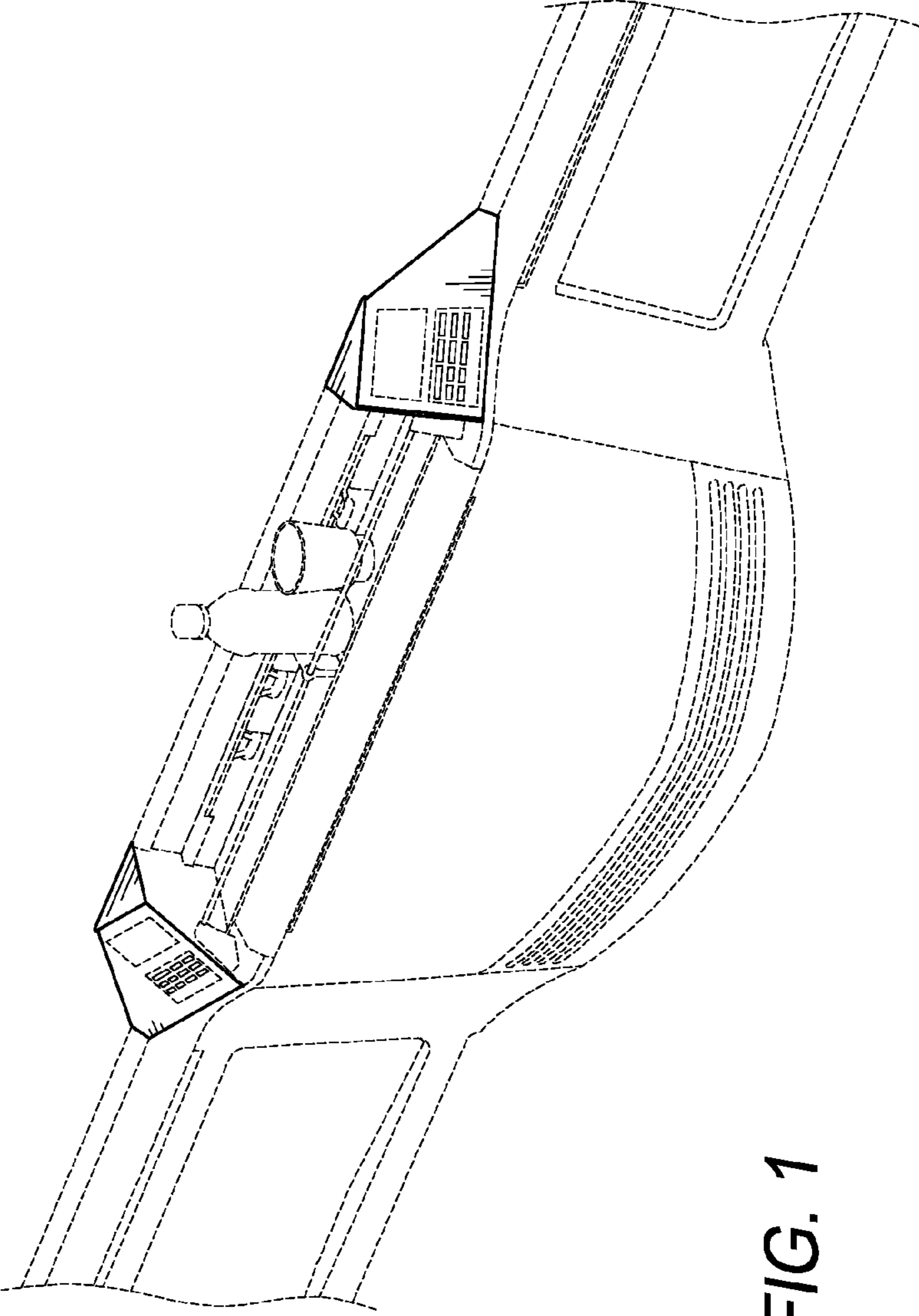


FIG. 1

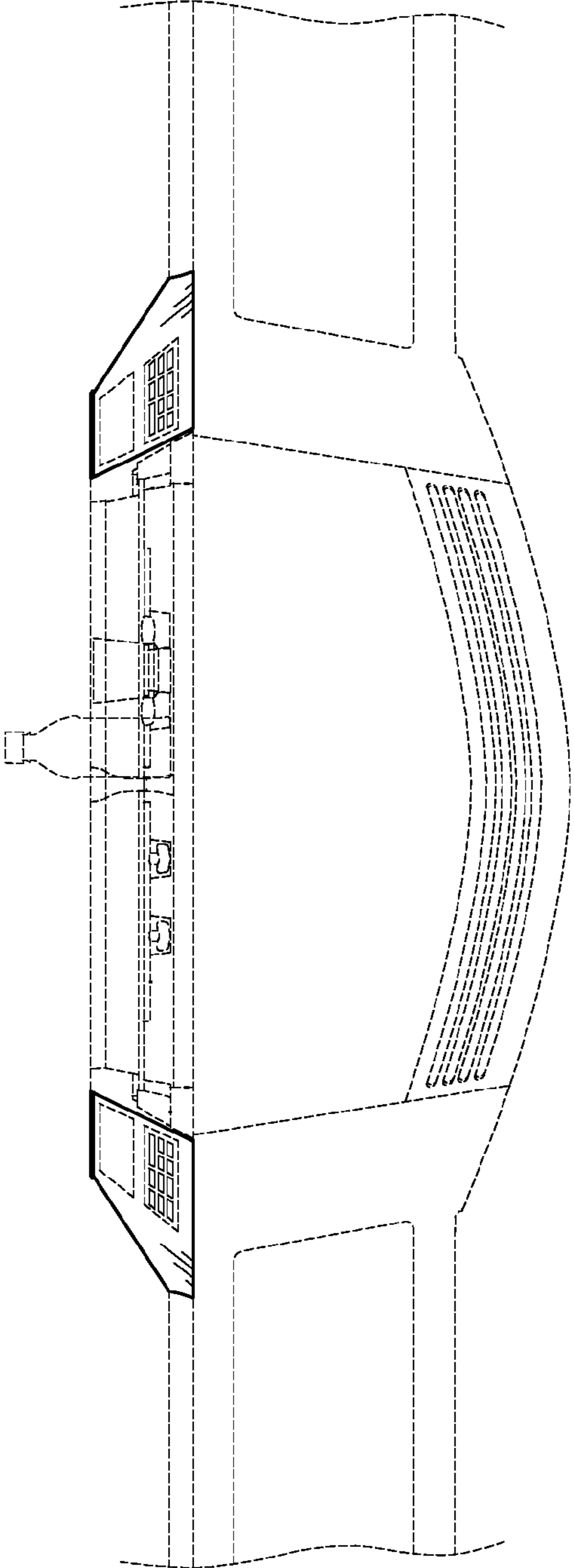


FIG. 2

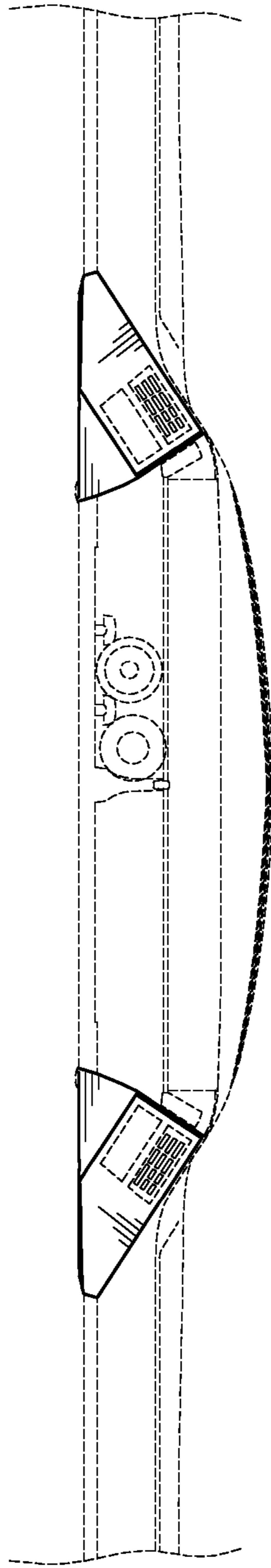


FIG. 3

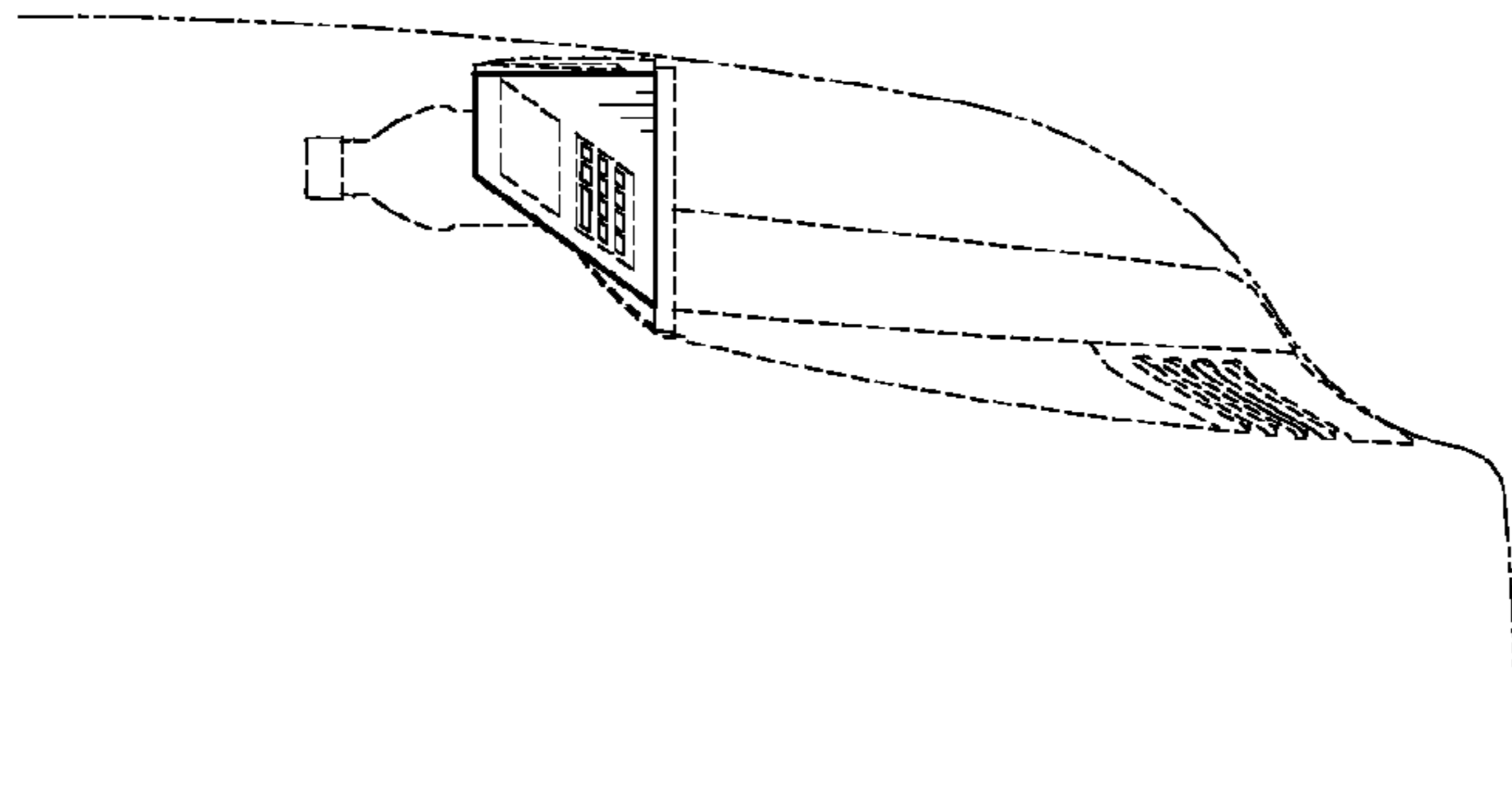


FIG. 5

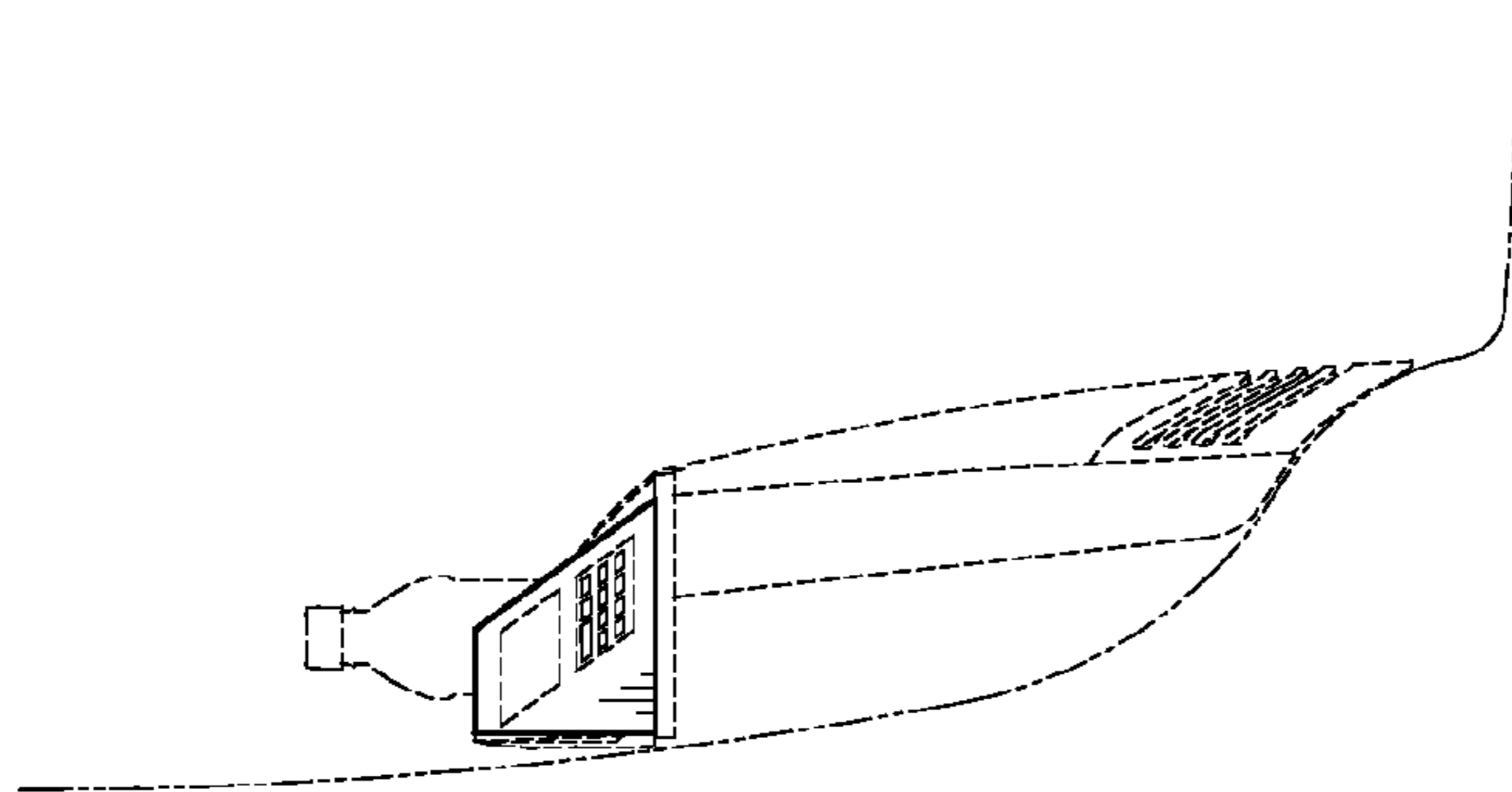


FIG. 4