



US00D677211S

(12) **United States Design Patent**
Tavares

(10) **Patent No.:** **US D677,211 S**

(45) **Date of Patent:** **** Mar. 5, 2013**

(54) **REMOTELY OPERATED UNDERWATER VEHICLE**

D505,104 S * 5/2005 Osumi et al. D12/308
6,986,320 B2 * 1/2006 Shelton et al. 114/312
7,004,099 B2 * 2/2006 Iijima et al. 114/315

(75) Inventor: **Durval Tavares**, Rehoboth, MA (US)

* cited by examiner

(73) Assignee: **Aquabotix Technology Corp.**, Fall River, MA (US)

Primary Examiner — Cynthia M Chin

(74) *Attorney, Agent, or Firm* — Douglas Denninger

(**) Term: **14 Years**

(57) **CLAIM**

(21) Appl. No.: **29/416,303**

I claim the ornamental design for a remotely operated underwater vehicle, as shown and described.

(22) Filed: **Mar. 20, 2012**

DESCRIPTION

(51) **LOC (9) Cl.** **12-06**

(52) **U.S. Cl.** **D12/308**

(58) **Field of Classification Search** D12/300,
D12/308, 317, 318; D21/545; 114/312,
114/314, 315, 322, 330, 331
See application file for complete search history.

FIG. 1 is an upper perspective view of the remotely operated underwater vehicle showing my new design; FIG. 2 is a lower perspective view thereof; FIG. 3 is a front elevation view thereof; FIG. 4 is a rear elevation view thereof; FIG. 5 is a left side elevation view thereof; FIG. 6 is a right side elevation view thereof; FIG. 7 is a top plan view thereof; and, FIG. 8 is a bottom plan view thereof.

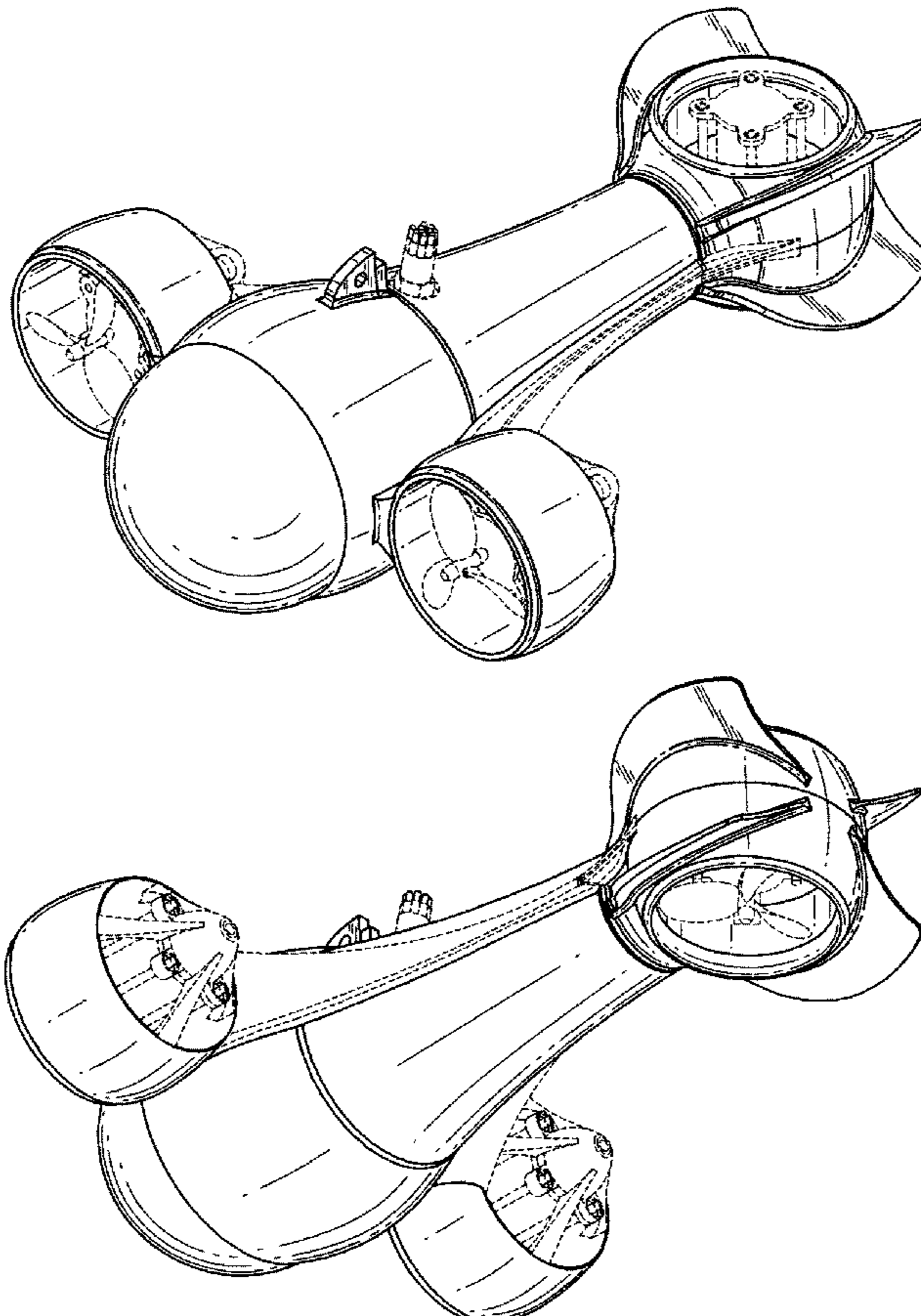
The broken-line disclosure representing portions of the article in which the claim design is embodied, but which form no part of the claimed design.

(56) **References Cited**

U.S. PATENT DOCUMENTS

D206,942 S * 2/1967 Speers et al. D21/545
4,813,367 A * 3/1989 Stevenson 114/315
D399,183 S * 10/1998 Ciamillo, II D12/308
5,995,882 A * 11/1999 Patterson et al. 114/312
D447,109 S * 8/2001 Paoli et al. D12/308
6,854,410 B1 * 2/2005 King et al. 114/244

1 Claim, 5 Drawing Sheets



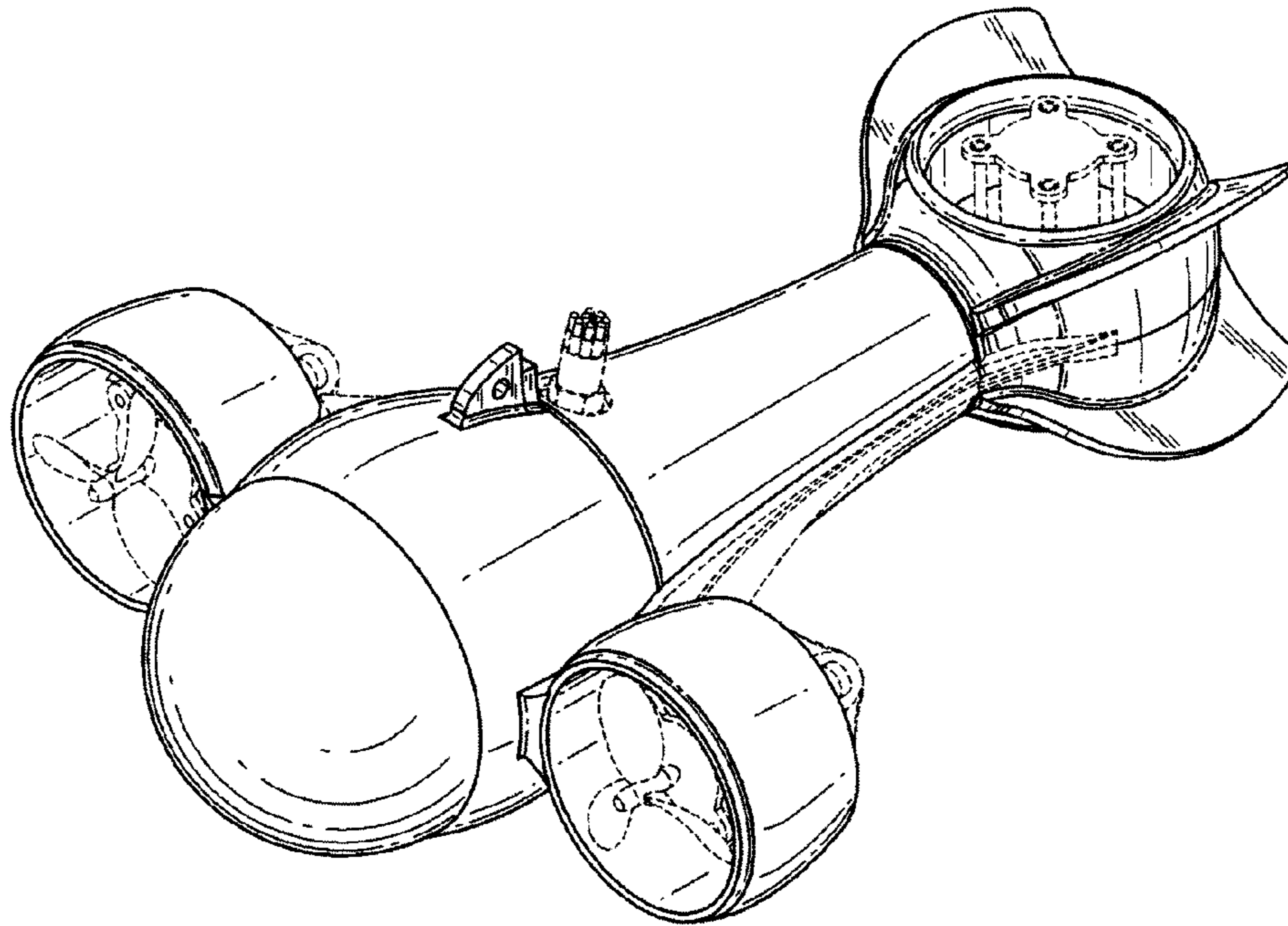


FIG. 1

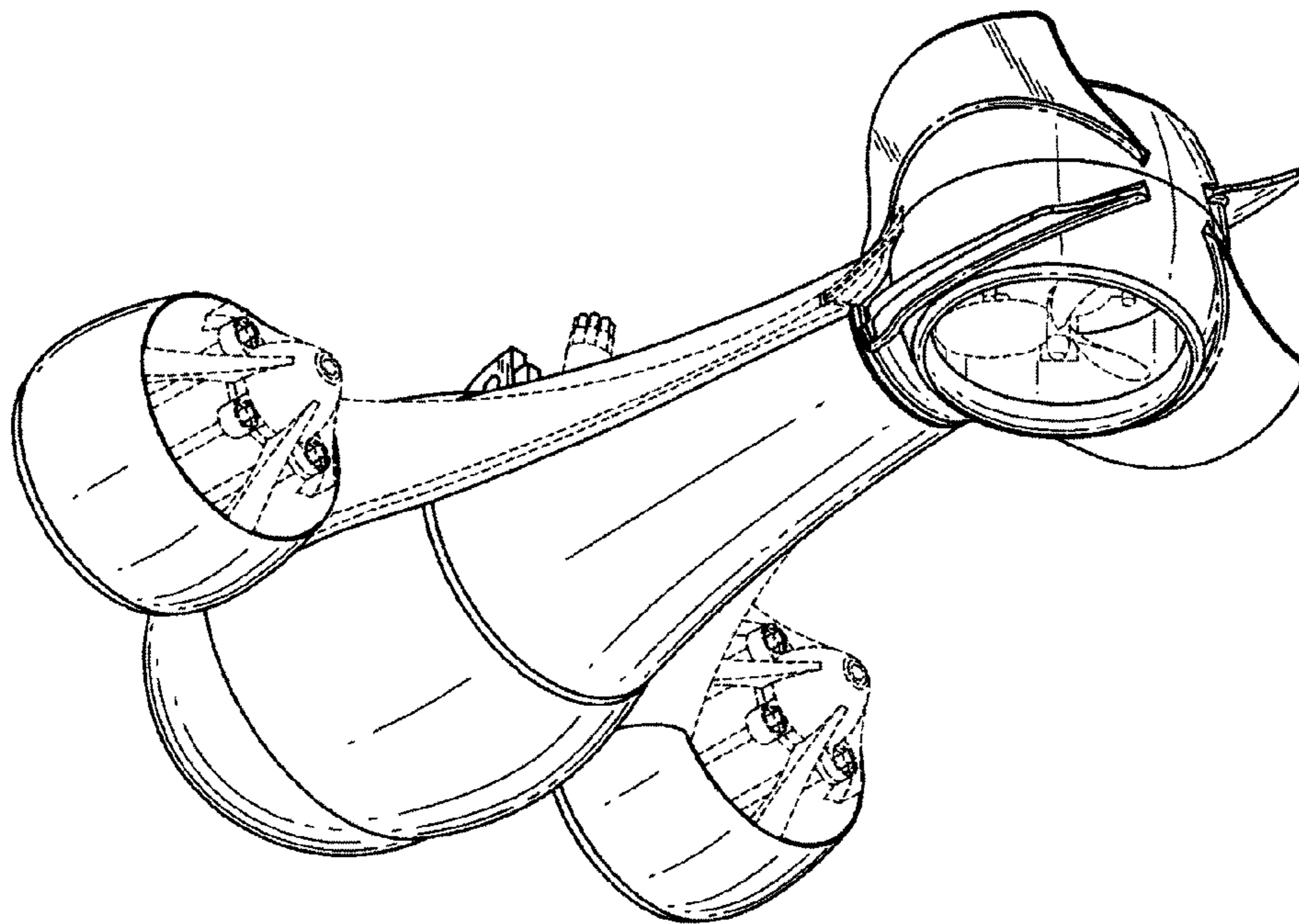


FIG. 2

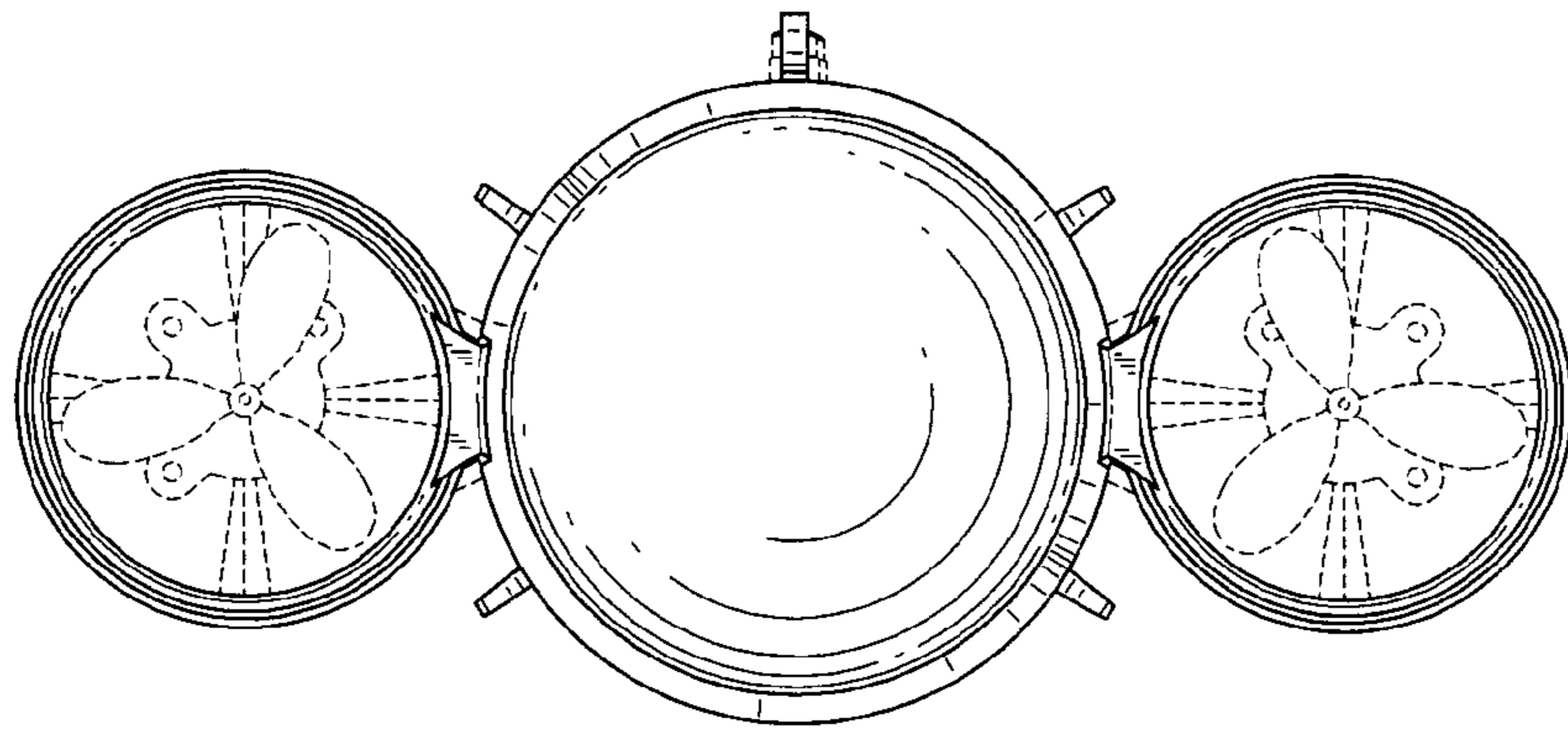


FIG. 3

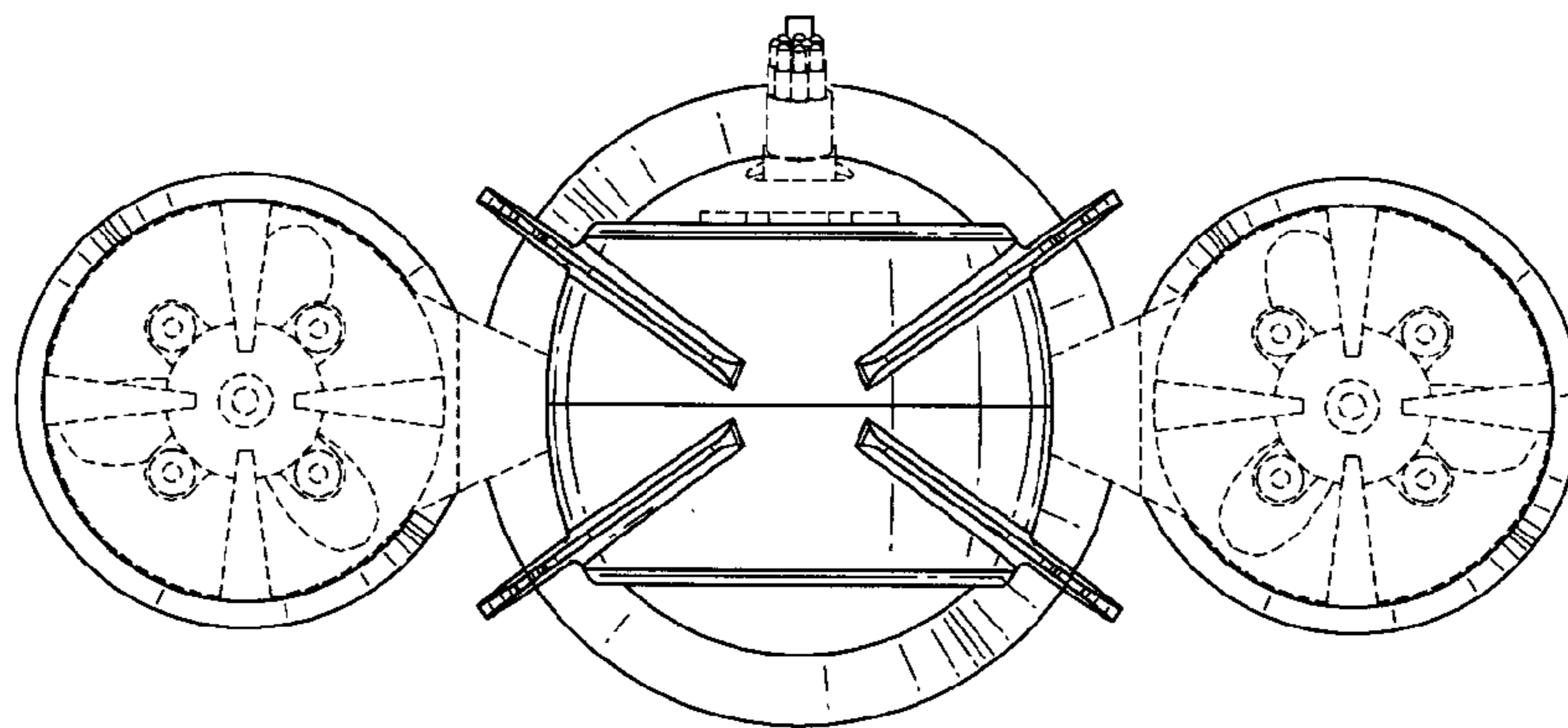


FIG. 4

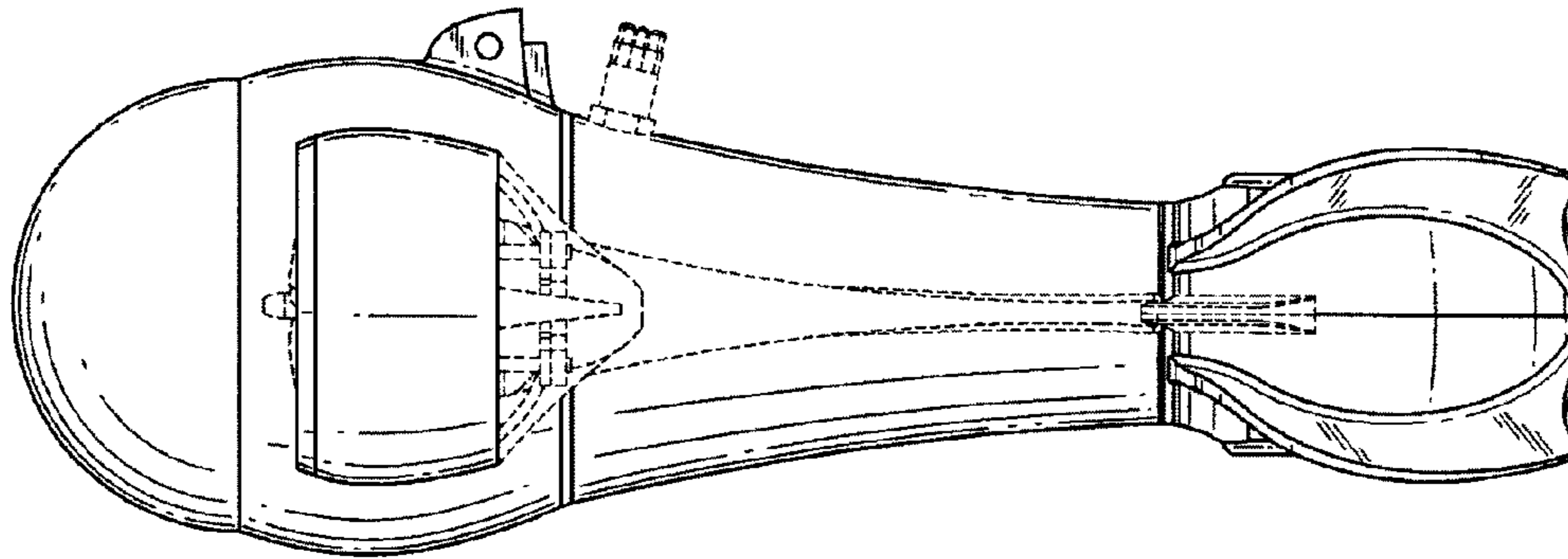


FIG. 5

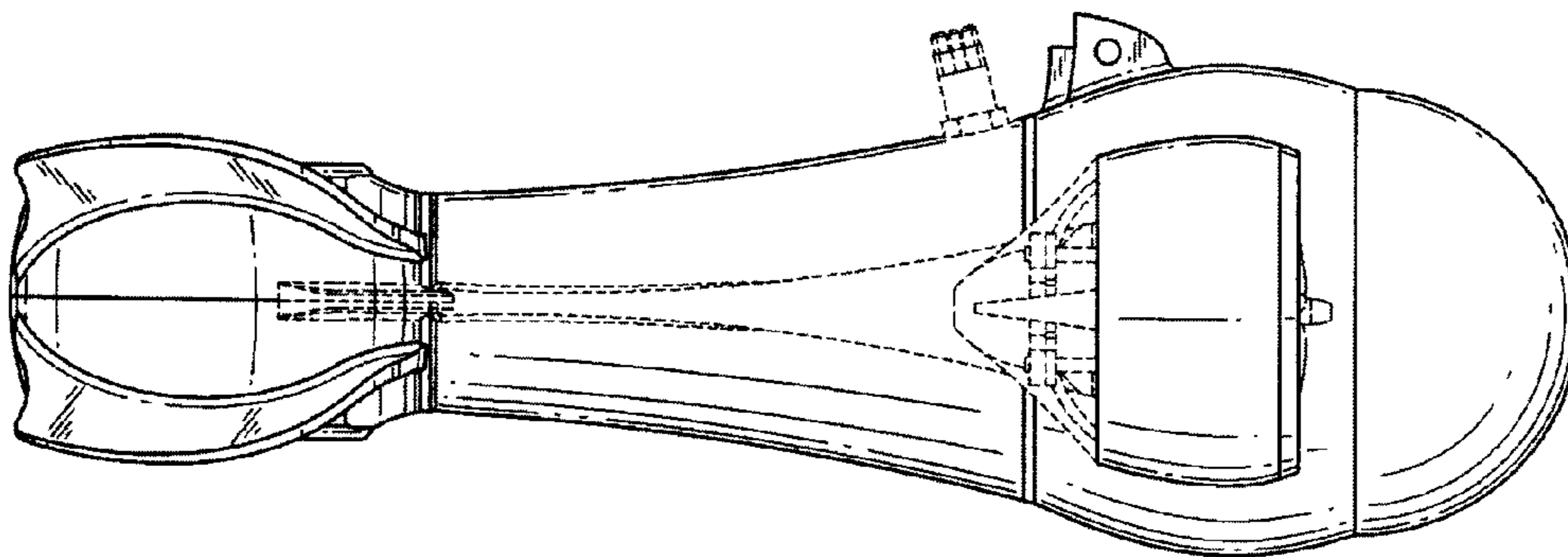


FIG. 6

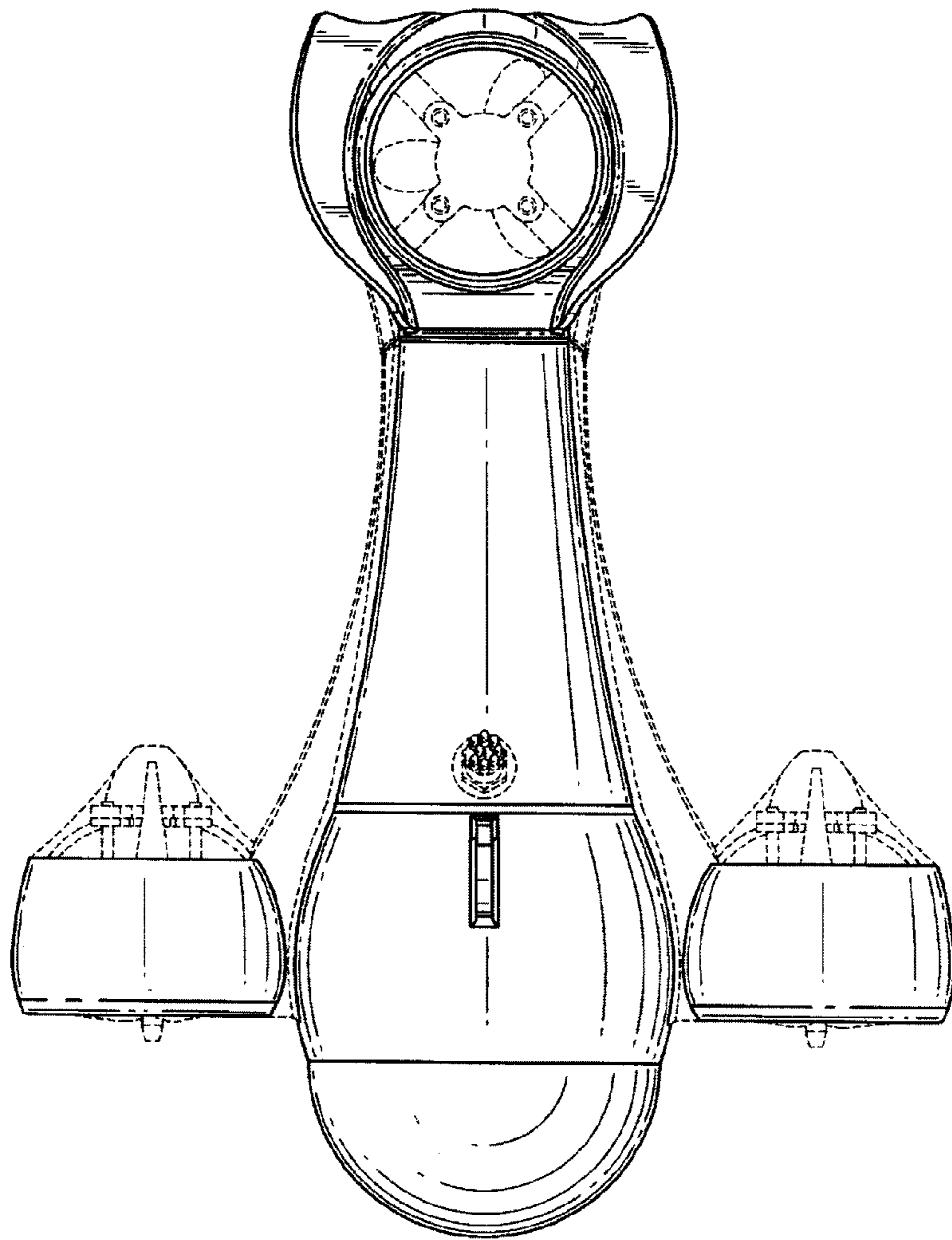


FIG. 7

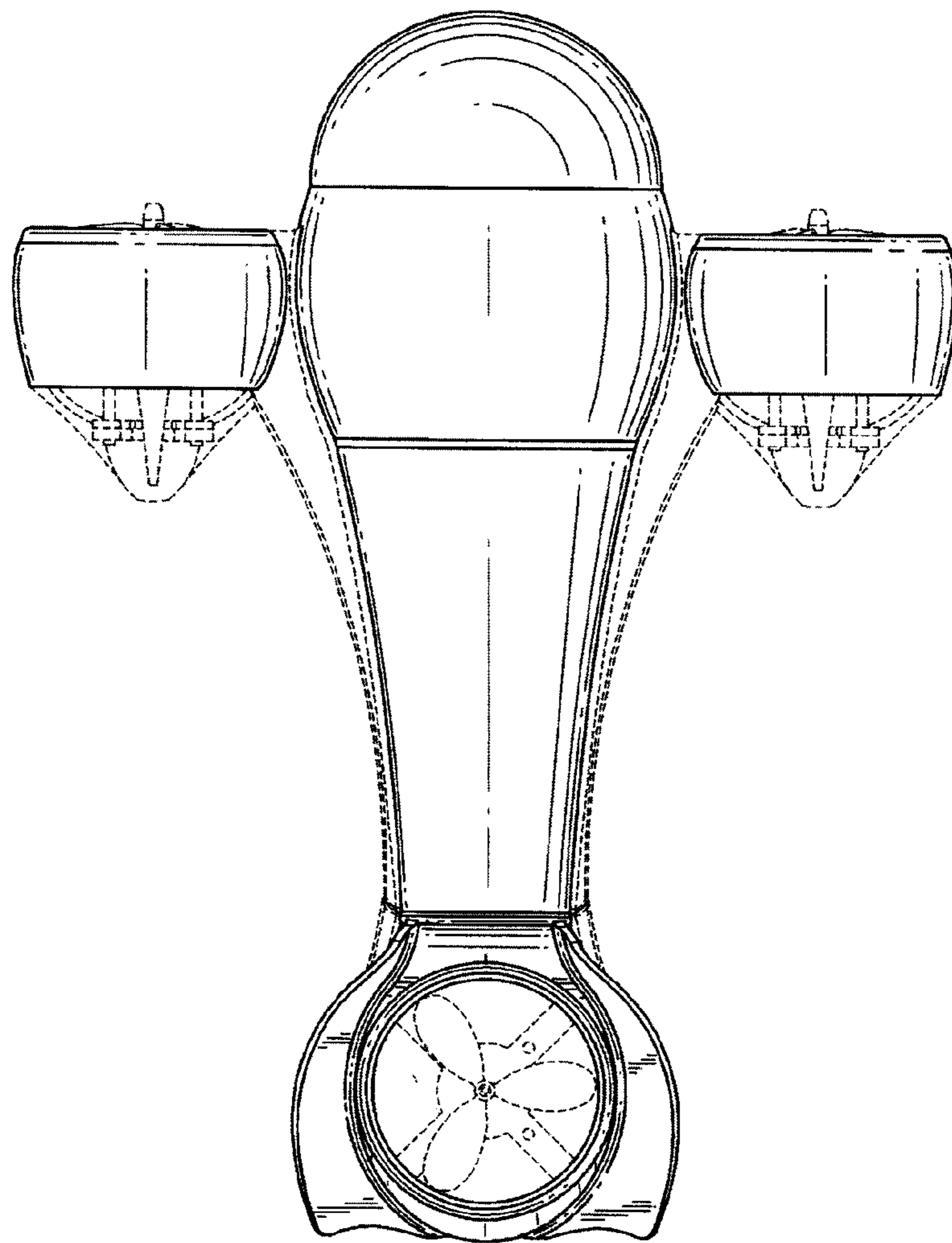


FIG. 8