



US00D677210S

(12) **United States Design Patent**
Fan

(10) **Patent No.:** **US D677,210 S**

(45) **Date of Patent:** **** Mar. 5, 2013**

(54) **BOAT**

(75) **Inventor:** **Jung-Han Fan**, Luzhu Township,
Taoyuan County (TW)

(73) **Assignee:** **Cadcam Marine Pty. Ltd.**, Taoyuan
County (TW)

(**) **Term:** **14 Years**

(21) **Appl. No.:** **29/402,897**

(22) **Filed:** **Sep. 29, 2011**

(51) **LOC (9) Cl.** **12-06**

(52) **U.S. Cl.** **D12/300**

(58) **Field of Classification Search** D12/300,
D12/302, 303, 304, 307, 310-314, 316, 317;
114/39.11-39.15, 39.21-39.32, 61.1, 61.2,
114/61.32, 61.33, 355-358, 271, 273, 288-291,
114/62

See application file for complete search history.

(56) **References Cited**

U.S. PATENT DOCUMENTS

4,193,369 A * 3/1980 Talamantes, Jr. 114/290
D285,190 S * 8/1986 Pipkorn D12/314

4,672,905 A * 6/1987 Pipkorn 114/290
D326,841 S * 6/1992 Hopper et al. D12/314
D329,038 S * 9/1992 Dekker et al. D12/314
D334,167 S * 3/1993 Riley D12/314
D338,868 S * 8/1993 Ackerbloom D12/314
D342,716 S * 12/1993 Hopper et al. D12/314
D357,892 S * 5/1995 Rolland et al. D12/314
D607,805 S * 1/2010 Chittum et al. D12/313

* cited by examiner

Primary Examiner — Cynthia M Chin

(74) *Attorney, Agent, or Firm* — Alan Kamrath; Kamrath IP
Lawfirm, P.A.

(57) **CLAIM**

The ornamental design for a boat, as shown and described.

DESCRIPTION

FIG. 1 is a perspective view of a boat in accordance with my
design;

FIG. 2 is a front view thereof;

FIG. 3 is a rear view thereof;

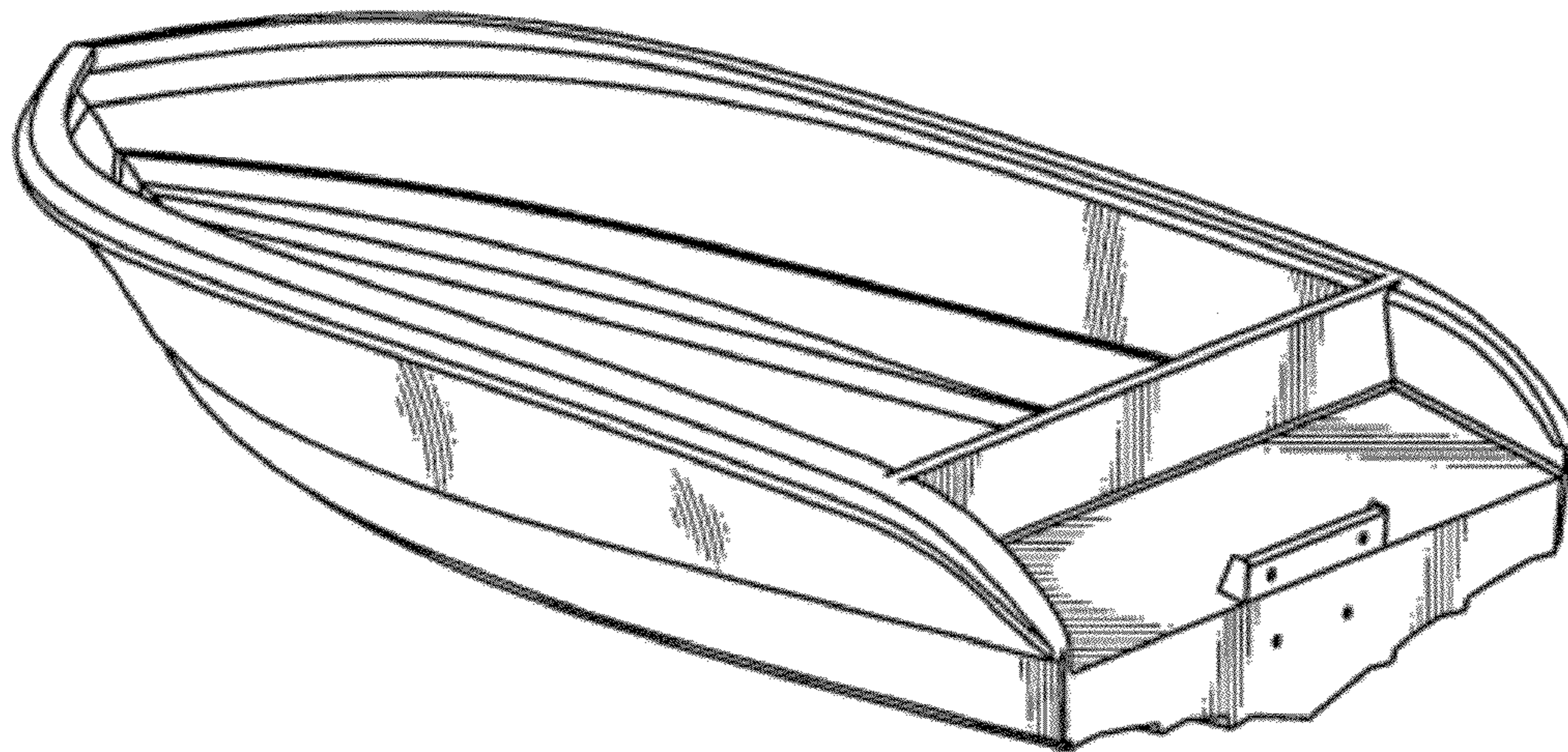
FIG. 4 is a left view thereof;

FIG. 5 is a right view thereof;

FIG. 6 is a top view thereof; and,

FIG. 7 is a bottom view thereof.

1 Claim, 5 Drawing Sheets



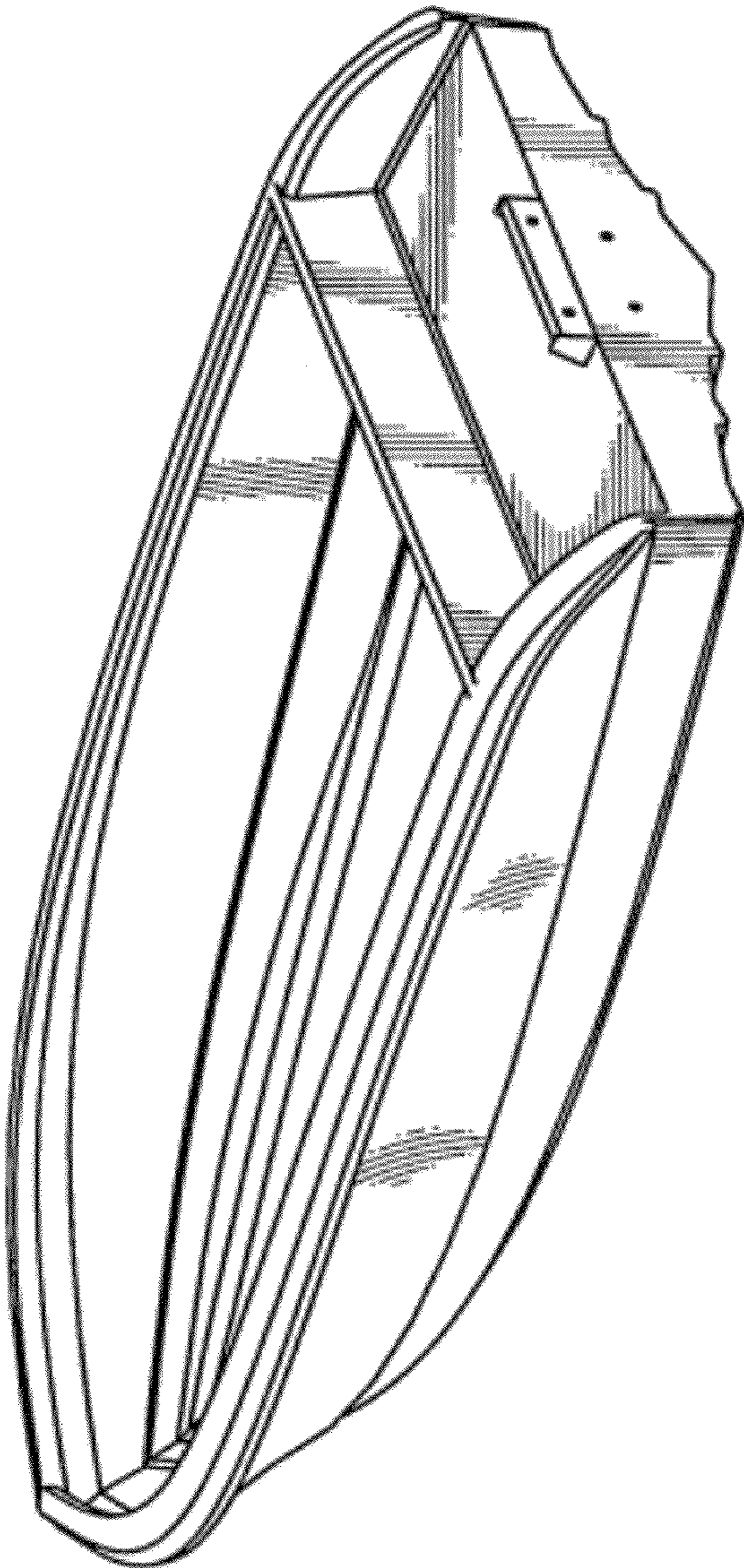


FIG. 1

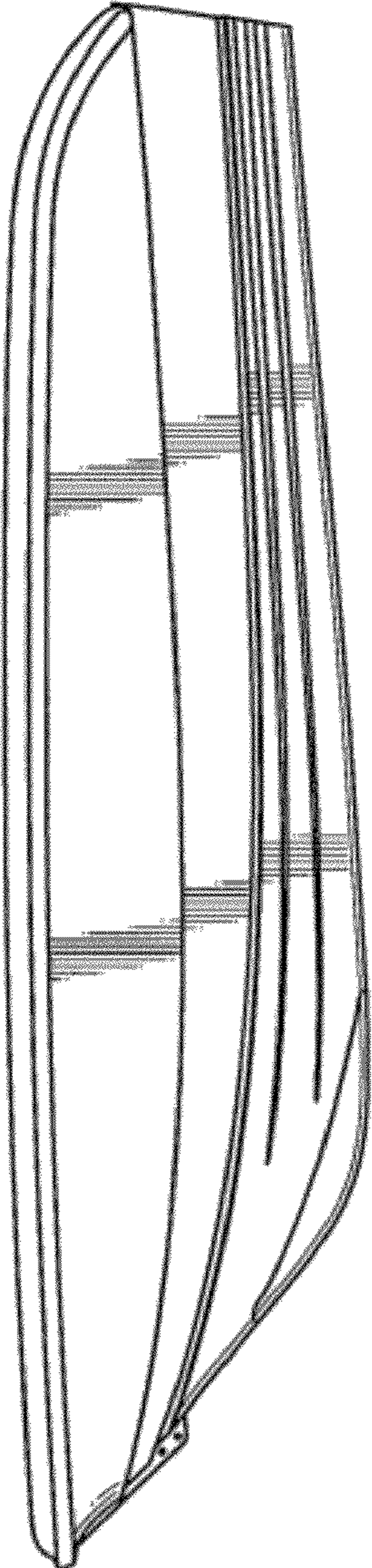


FIG. 2

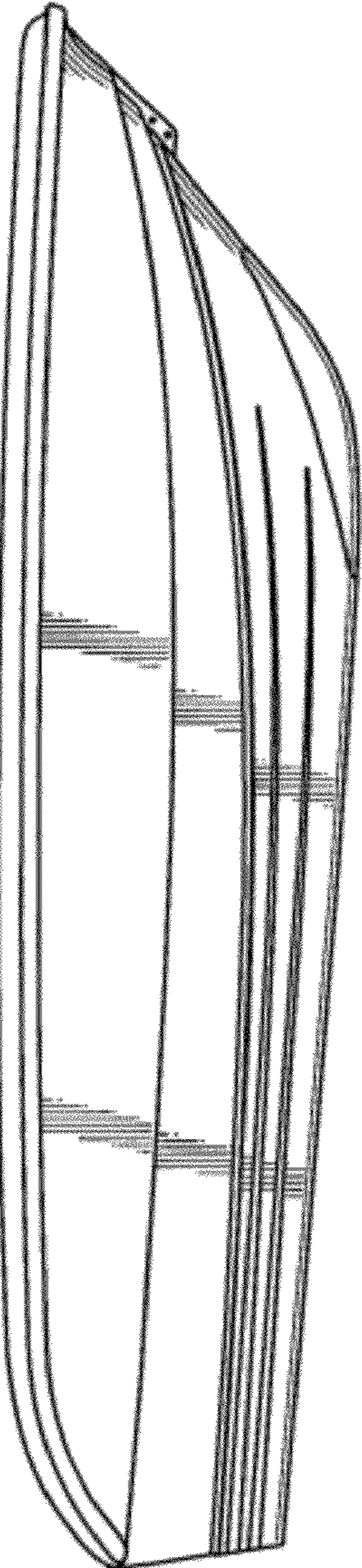


FIG. 3

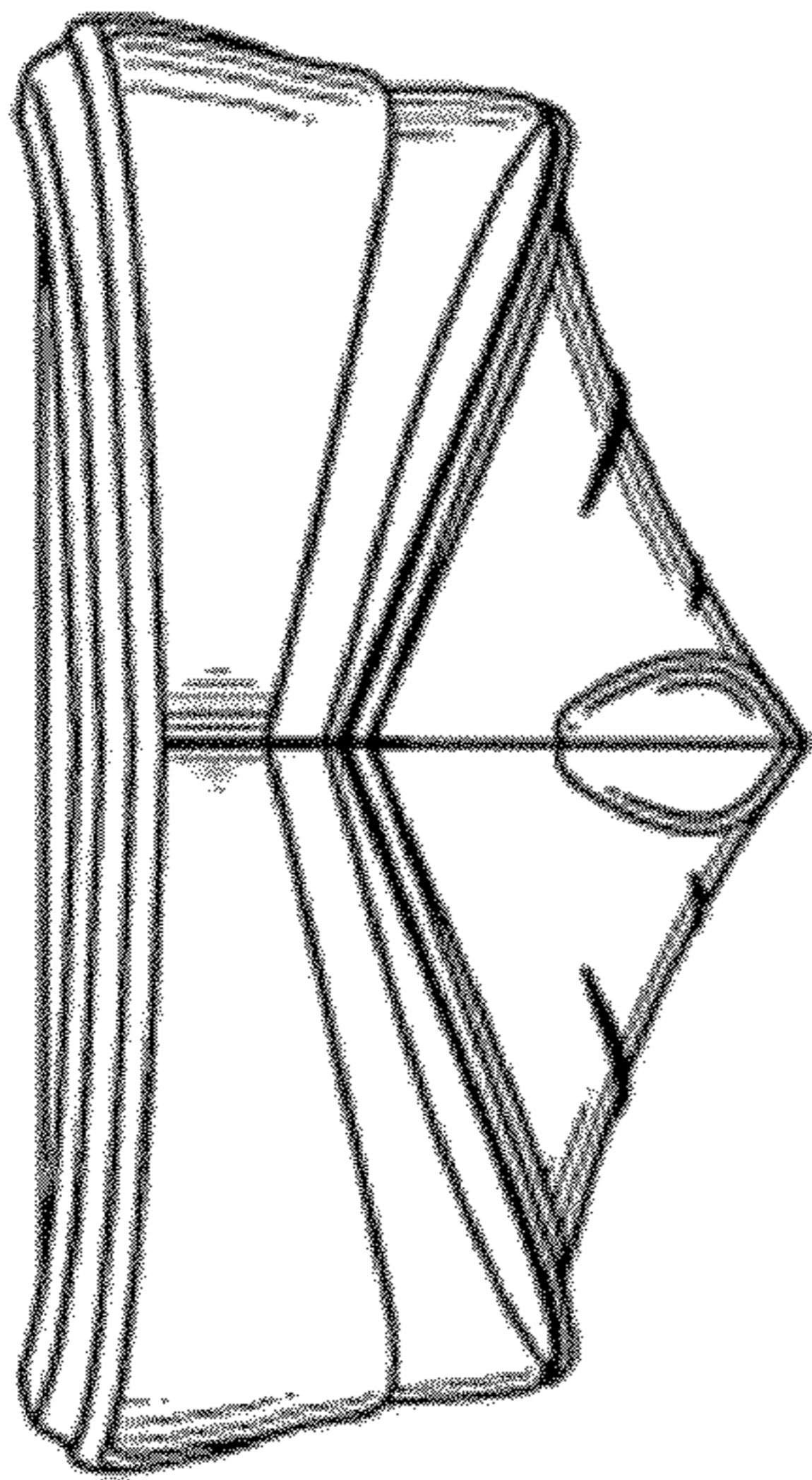


FIG. 4

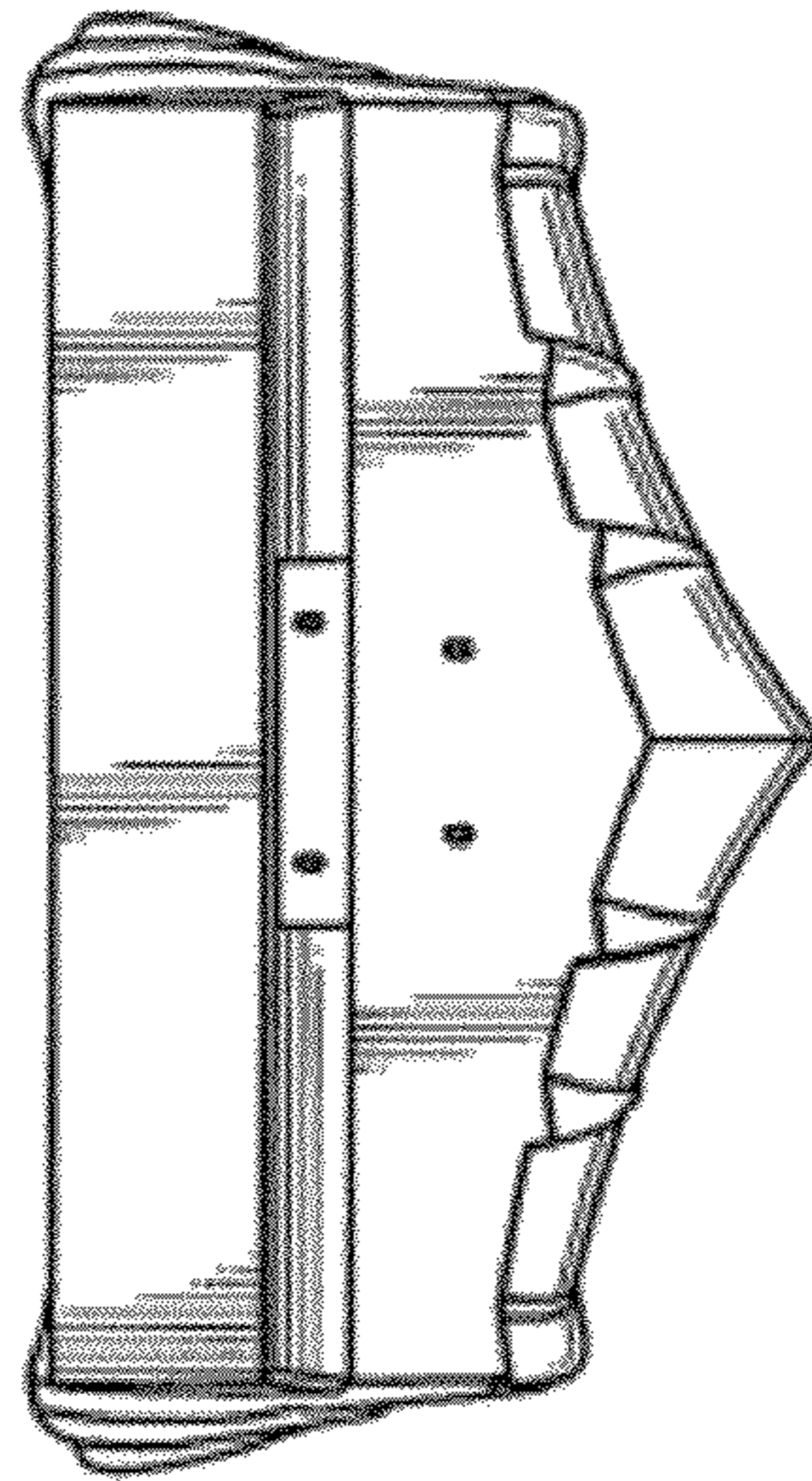


FIG. 5

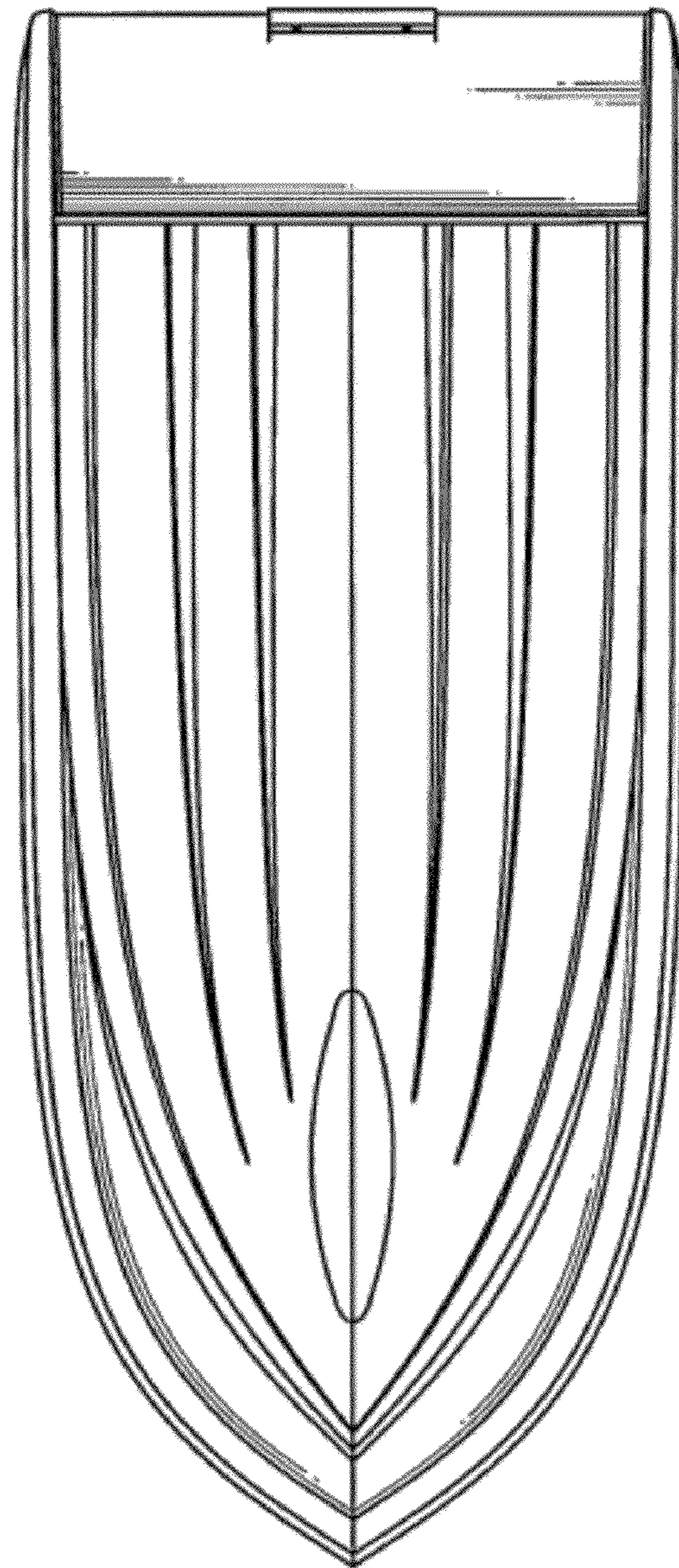


FIG. 6

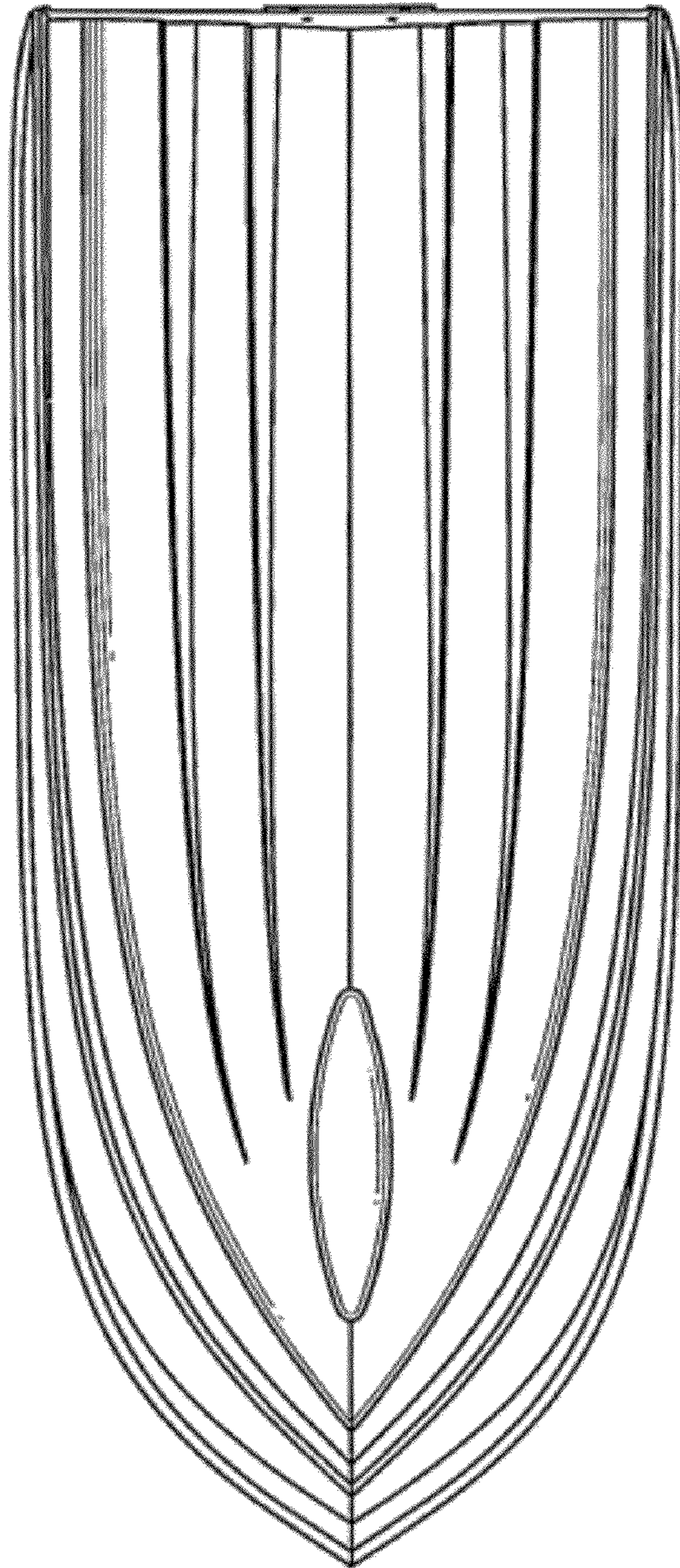


FIG. 7