



US00D677208S

(12) **United States Design Patent**  
**Gotschke**

(10) **Patent No.:** **US D677,208 S**

(45) **Date of Patent:** **\*\* Mar. 5, 2013**

(54) **VEHICLE WHEEL**

(75) Inventor: **Wolfgang Gotschke**, Cologne (DE)

(73) Assignee: **Ford Motor Company**, Dearborn, MI (US)

(\*\*) Term: **14 Years**

(21) Appl. No.: **29/429,707**

(22) Filed: **Aug. 15, 2012**

(51) **LOC (9) Cl.** ..... **12-16**

(52) **U.S. Cl.** ..... **D12/209**

(58) **Field of Classification Search** ..... D12/204-213;  
301/37.101, 64.101, 65, 64.201

See application file for complete search history.

(56) **References Cited**

**U.S. PATENT DOCUMENTS**

D409,967 S \* 5/1999 Chung ..... D12/209  
D416,845 S \* 11/1999 Frueh ..... D12/209

D419,941 S \* 2/2000 Chung ..... D12/209  
D438,500 S \* 3/2001 Embrador ..... D12/209  
D455,387 S \* 4/2002 McMath ..... D12/209  
D486,108 S \* 2/2004 Min ..... D12/209  
D492,234 S \* 6/2004 Kataoka ..... D12/209  
D502,437 S \* 3/2005 Kushartanto ..... D12/209  
D576,936 S \* 9/2008 Imai ..... D12/209

\* cited by examiner

*Primary Examiner* — Stacia Cadmus

(74) *Attorney, Agent, or Firm* — Damian Porcari

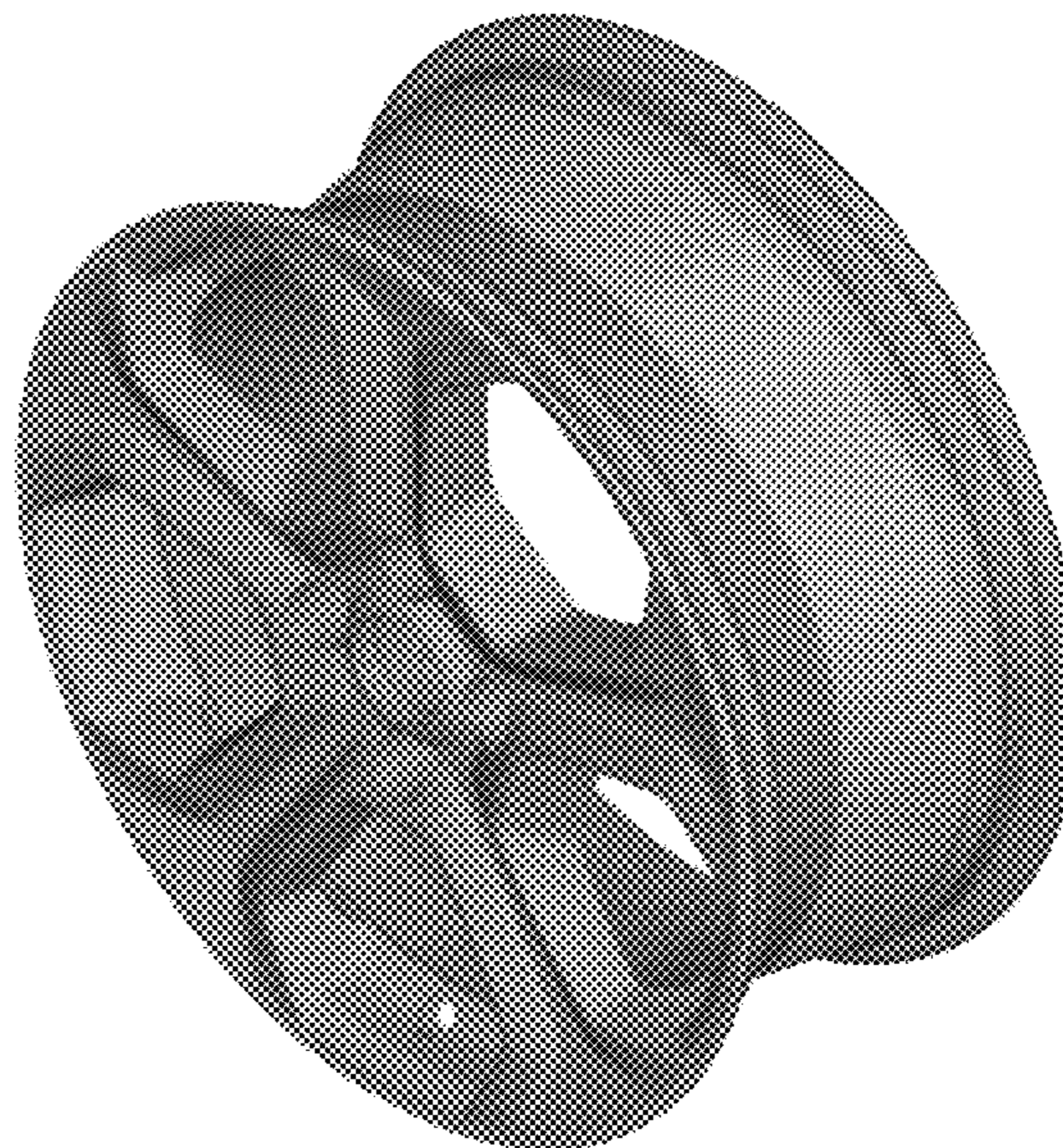
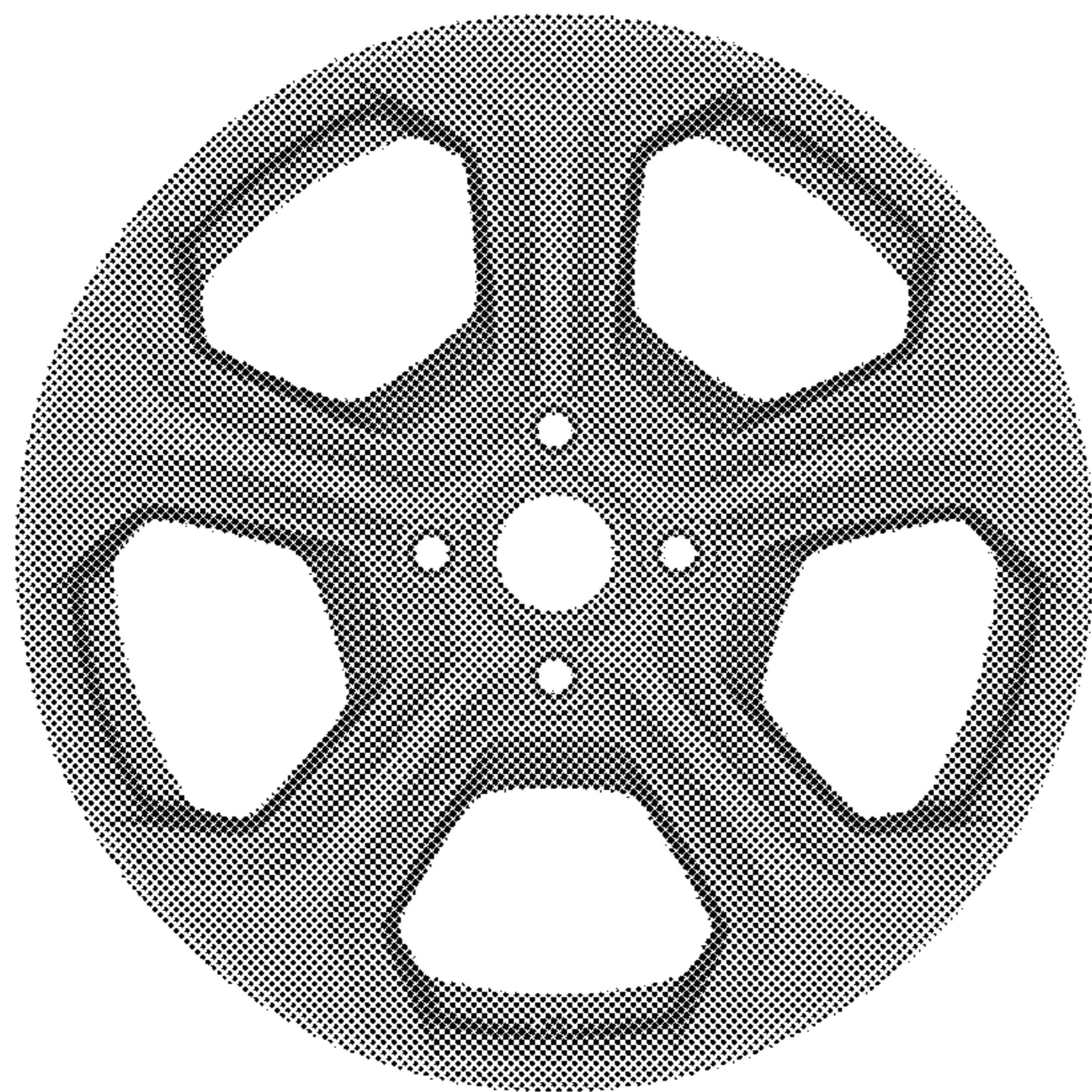
(57) **CLAIM**

The ornamental design for a vehicle wheel, shown and described.

**DESCRIPTION**

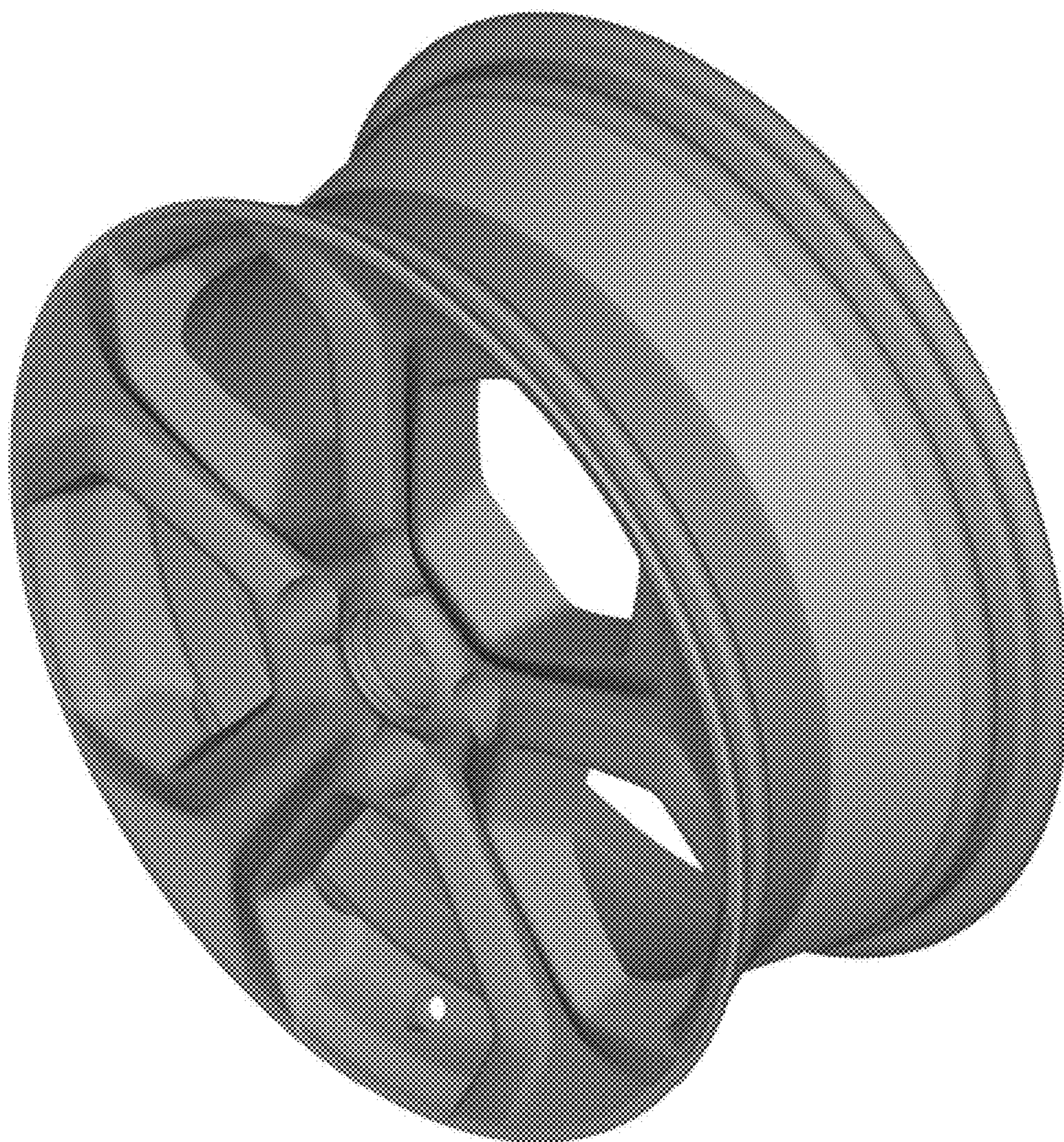
FIG. 1 is a front view of a vehicle wheel; and, FIG. 2 is a perspective view of the vehicle wheel.

**1 Claim, 2 Drawing Sheets**





*Figure 1*



*Figure 2*