



US00D677205S

(12) **United States Design Patent**
Hirneise

(10) **Patent No.:** **US D677,205 S**
(45) **Date of Patent:** **** Mar. 5, 2013**

(54) **PERSONAL MOTOR VEHICLE ENCLOSURE
PANEL AND DOOR**

(76) Inventor: **Paul Hirneise**, Gainesville, FL (US)

(**) Term: **14 Years**

(21) Appl. No.: **29/406,567**

(22) Filed: **Nov. 16, 2011**

(51) **LOC (9) Cl.** **12-16**

(52) **U.S. Cl.** **D12/196**

(58) **Field of Classification Search** D12/1,
D12/14, 15, 16, 82, 86, 90, 91, 92, 196, 405;
D21/433; 296/77.1, 79, 87, 141, 148, 155,
296/202; 280/DIG. 5

See application file for complete search history.

(56) **References Cited**

U.S. PATENT DOCUMENTS

| | | | | | |
|-----------|------|---------|------------------|-------|------------|
| D41,291 | S * | 4/1911 | Nelson | | D12/86 |
| 3,709,553 | A * | 1/1973 | Churchill et al. | | 296/145 |
| D246,299 | S * | 11/1977 | Haggard | | D12/90 |
| 4,133,574 | A * | 1/1979 | Martin | | 296/190.09 |
| D271,482 | S * | 11/1983 | Collins | | D12/196 |
| D273,669 | S * | 5/1984 | Forbis | | D12/405 |
| 4,621,859 | A * | 11/1986 | Spicher | | 296/77.1 |
| 4,932,714 | A * | 6/1990 | Chance | | 296/148 |
| D332,437 | S * | 1/1993 | Lay, Jr. | | D12/405 |
| D349,265 | S * | 8/1994 | Patton | | D12/14 |
| D355,403 | S * | 2/1995 | Eberle | | D12/402 |
| 5,529,369 | A * | 6/1996 | Welborn | | 296/146.1 |
| 5,788,317 | A * | 8/1998 | Nation | | 296/141 |
| 6,276,745 | B1 * | 8/2001 | Wilson | | 296/155 |
| 6,776,445 | B1 * | 8/2004 | Conner et al. | | 296/79 |
| 6,902,220 | B2 * | 6/2005 | Moskos et al. | | 296/79 |

| | | | | | |
|--------------|------|---------|----------------|-------|------------|
| D542,711 | S * | 5/2007 | Curtis et al. | | D12/6 |
| D547,697 | S * | 7/2007 | Curtis et al. | | D12/6 |
| 7,281,753 | B2 * | 10/2007 | Curtis et al. | | 296/146.1 |
| D557,191 | S * | 12/2007 | Curtis et al. | | D12/196 |
| 7,422,267 | B2 * | 9/2008 | Curtis et al. | | 296/146.12 |
| 2002/0167190 | A1 * | 11/2002 | McElwee et al. | | 296/77.1 |
| 2004/0239140 | A1 * | 12/2004 | Feinberg | | 296/77.1 |
| 2011/0001330 | A1 * | 1/2011 | Hirneise | | 296/77.1 |
| 2011/0174448 | A1 * | 7/2011 | Haagenson | | 160/124 |
| 2011/0233957 | A1 * | 9/2011 | Sams | | 296/79 |

* cited by examiner

Primary Examiner — Philip S Hyder

Assistant Examiner — John T Applewhite

(74) *Attorney, Agent, or Firm* — Sven Hanson

(57) **CLAIM**

The ornamental design for a personal motor vehicle enclosure panel and door, as shown.

DESCRIPTION

FIG. 1 is a perspective view of a vehicle showing the inventive design.

FIG. 2 is a side view thereof.

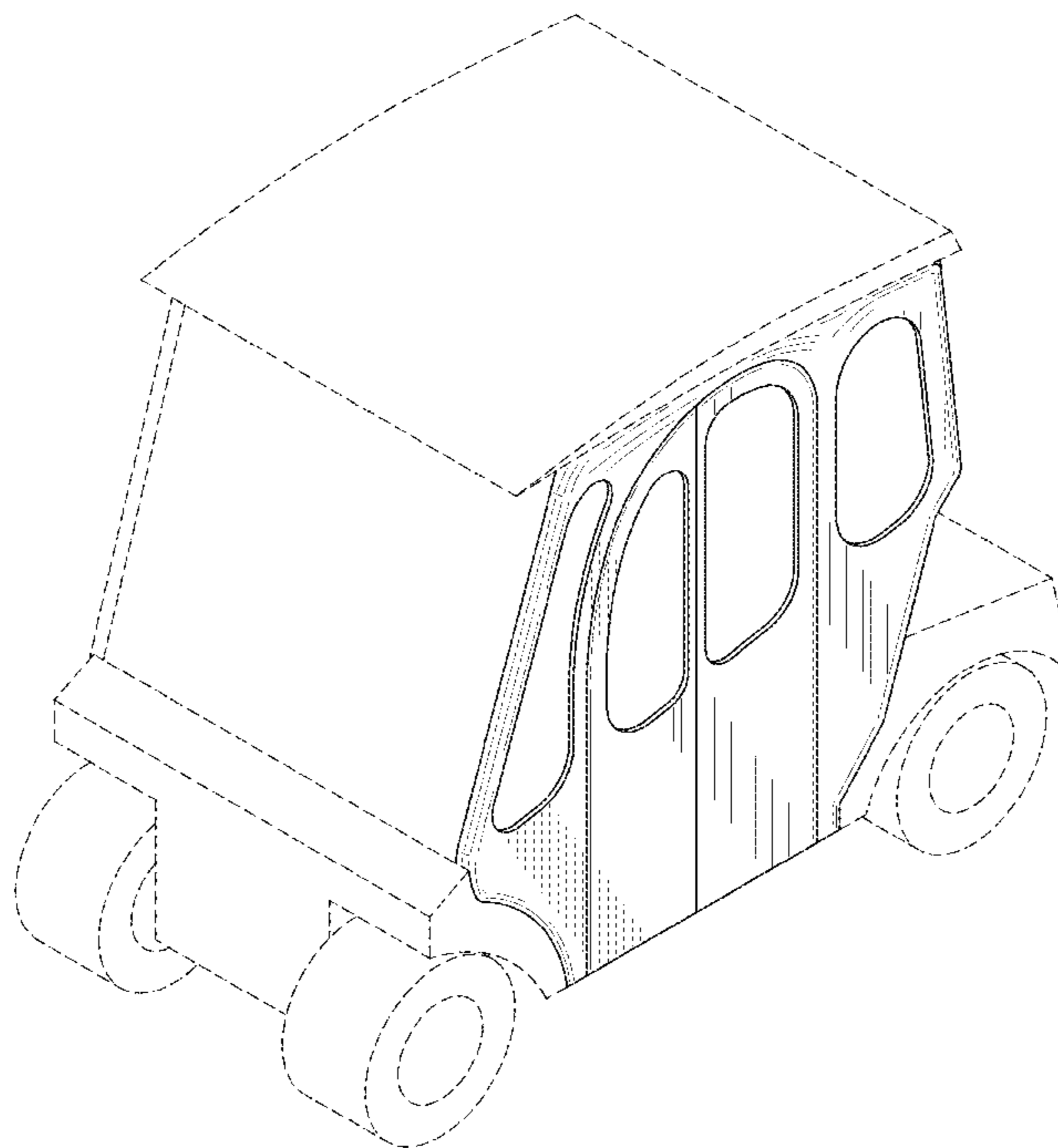
FIG. 3 is a front view thereof; and,

FIG. 4 is a rear view thereof.

All broken lines are illustration of environmental structure and are not part of the claimed design.

The claimed personal motor vehicle enclosure panel and door is intended for use, in conjunction with other structures, to enclose the passenger area of a motor vehicle and provide a closeable doorway for entrance and exit of passengers.

1 Claim, 3 Drawing Sheets



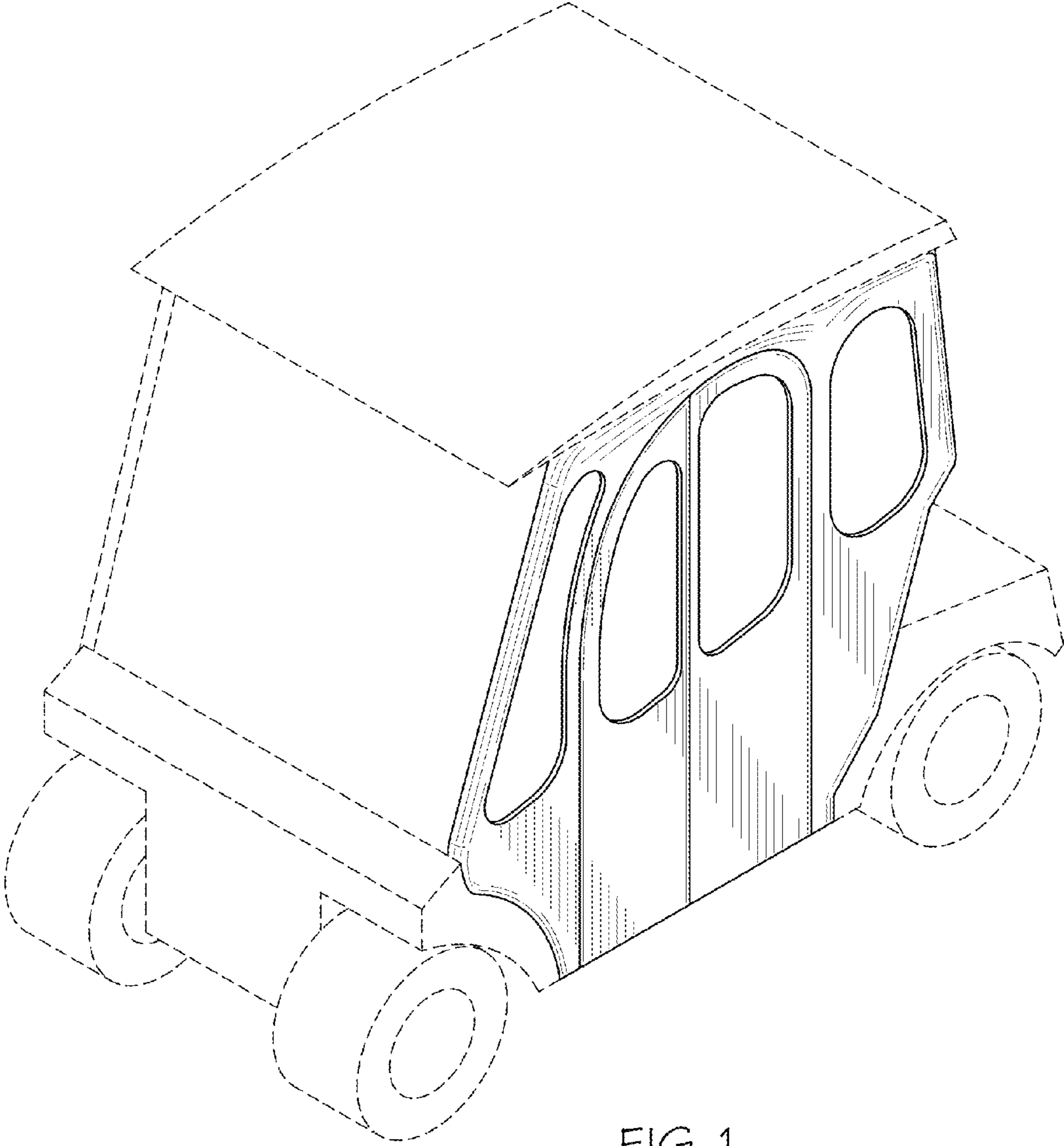


FIG. 1

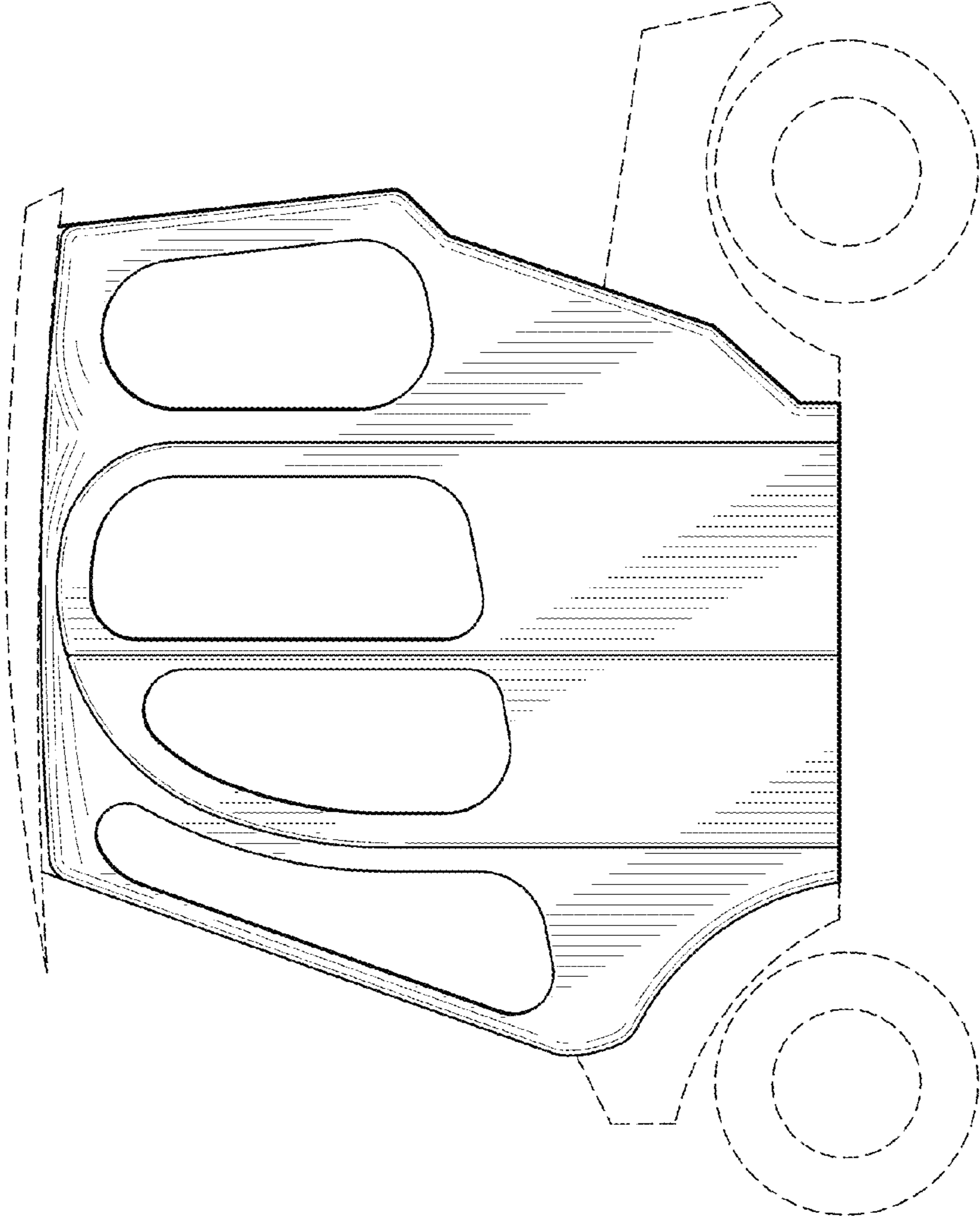


FIG. 2

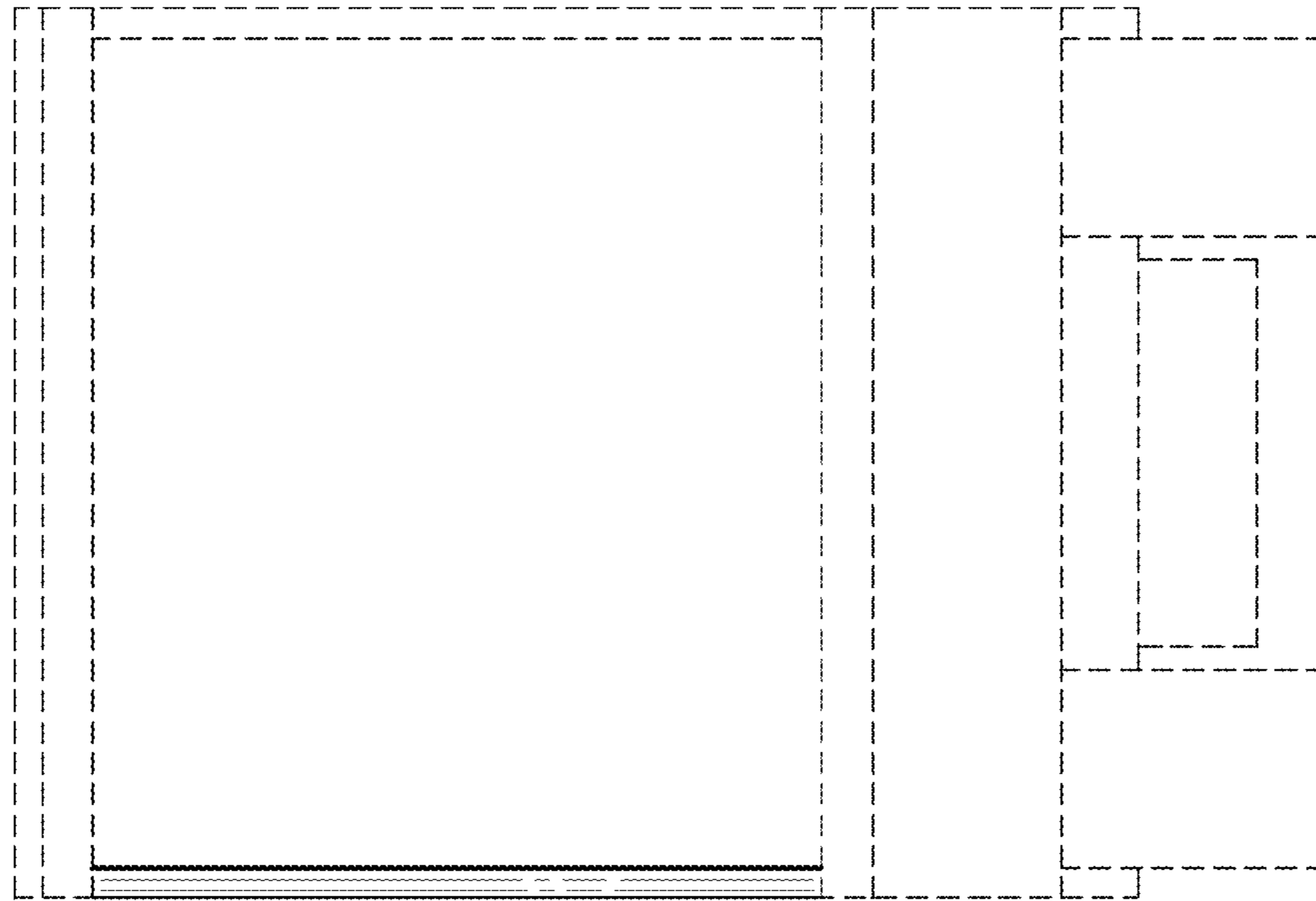


FIG. 4

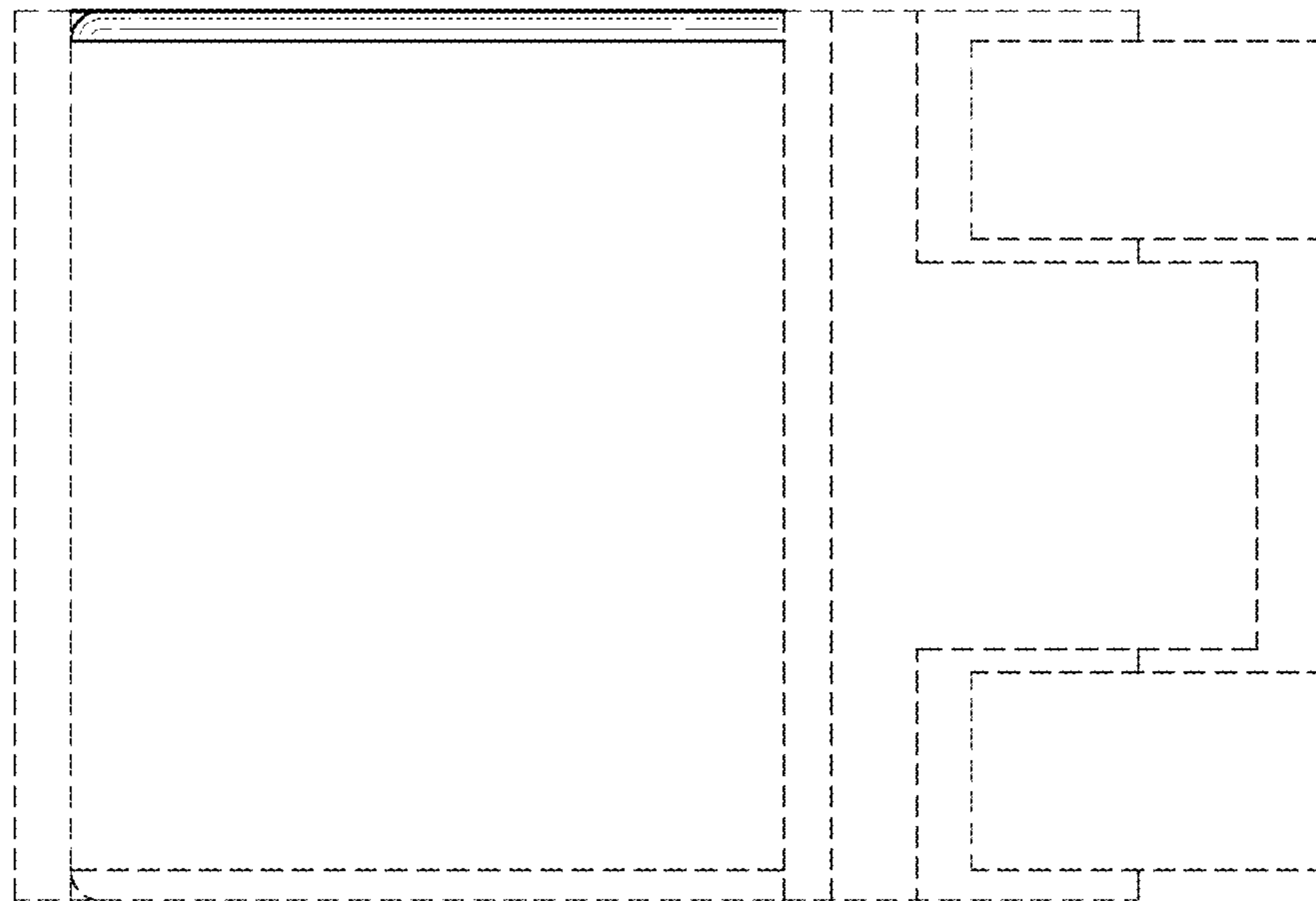


FIG. 3