



US00D677204S

(12) **United States Design Patent**
Perez

(10) **Patent No.:** **US D677,204 S**
(45) **Date of Patent:** **** Mar. 5, 2013**

- (54) **LICENSE PLATE SPORTS MASK**
- (76) Inventor: **Paul A. Perez**, Elk Grove, CA (US)
- (**) Term: **14 Years**
- (21) Appl. No.: **29/424,851**
- (22) Filed: **Jun. 15, 2012**
- (51) **LOC (9) Cl.** **12-16**
- (52) **U.S. Cl.** **D12/193**
- (58) **Field of Classification Search** D12/193,
D12/162; D6/300-302, 310-314; 40/200-204,
40/207-214; D20/13; 348/148, 373; D29/111;
293/142
See application file for complete search history.

D591,666 S	5/2009	Valeri	
D593,917 S	6/2009	Spencer et al.	
D601,070 S	9/2009	Boyce	
D625,234 S	10/2010	Vuletic	
7,913,435 B1	3/2011	Hummel, III et al.	
D641,300 S	7/2011	Ferency	
D654,227 S *	2/2012	Stout et al.	D29/111
D663,663 S *	7/2012	Perez	D12/193
2011/0204595 A1	8/2011	Fox	

* cited by examiner

Primary Examiner — Stacia Cadmus

(74) *Attorney, Agent, or Firm* — Dennis A. DeBoo

(57) **CLAIM**

The ornamental design for a license plate sports mask, as shown and described.

DESCRIPTION

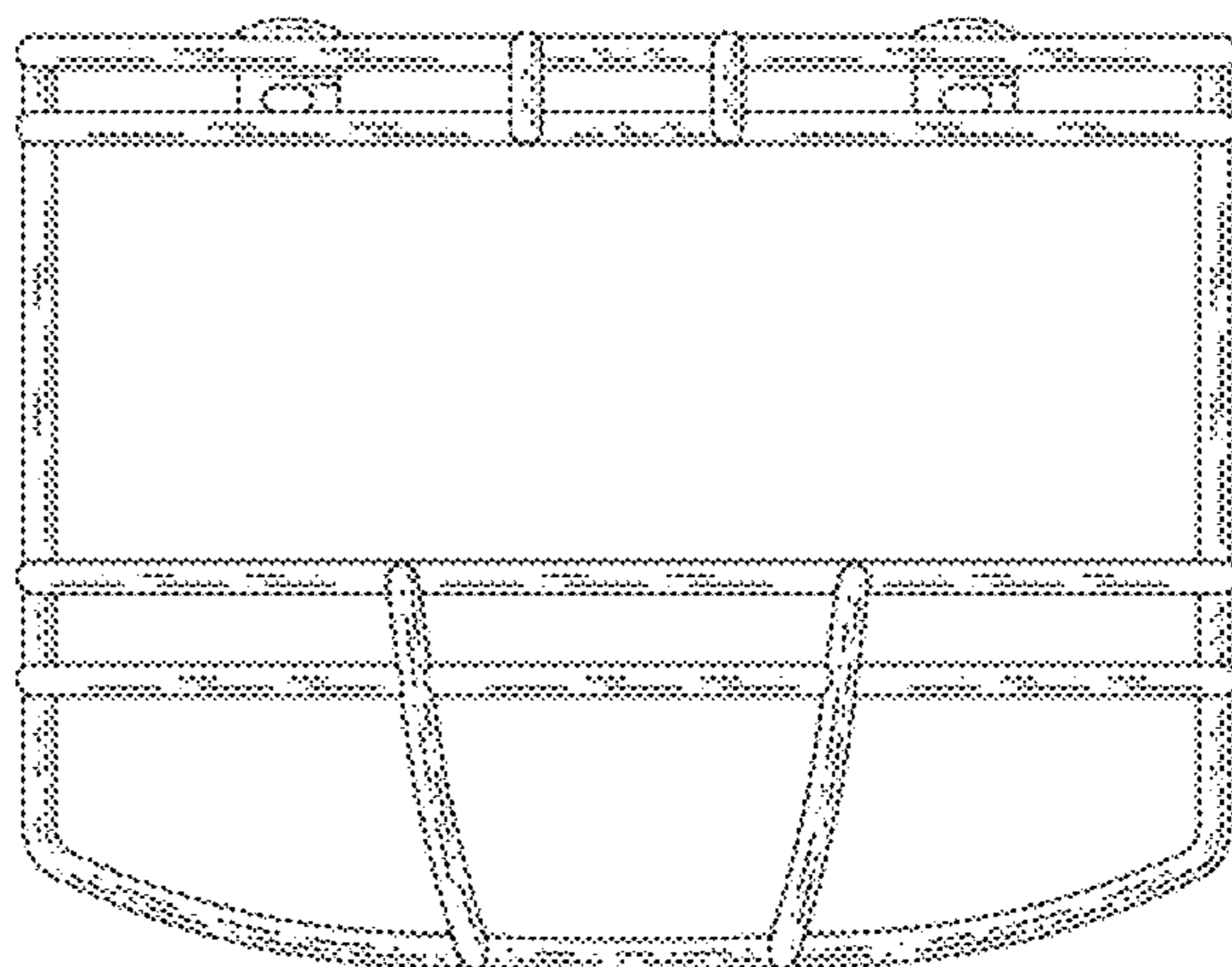
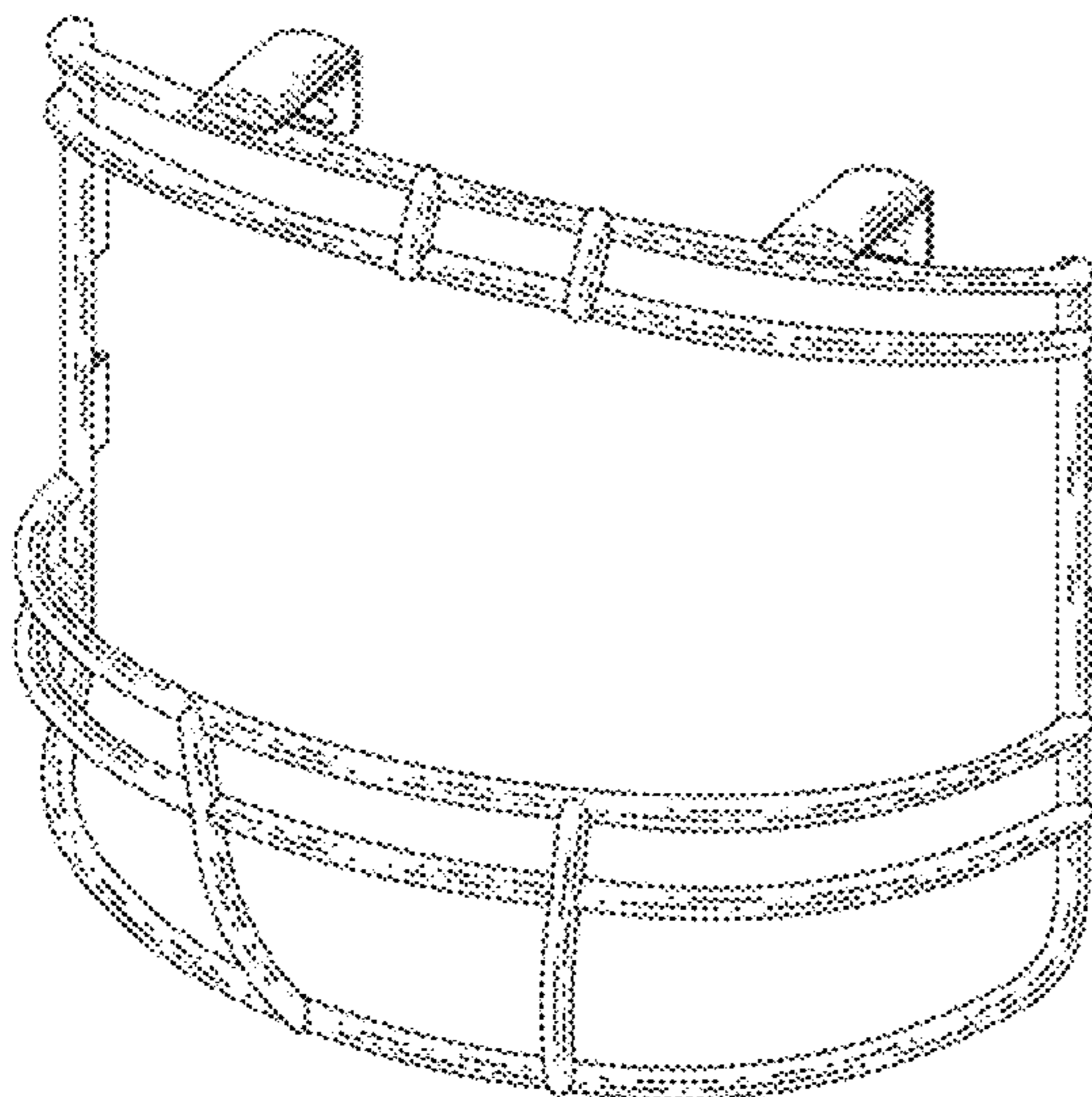
FIG. 1 is a front perspective view of a license plate sports mask, showing my new design;
 FIG. 2 is a front elevational view thereof;
 FIG. 3 is a right side elevational view thereof, the left side being a mirror image;
 FIG. 4 is a top view thereof;
 FIG. 5 is a bottom view thereof;
 FIG. 6 is a rear elevational view thereof;
 FIG. 7 is a front perspective view thereof, the broken lines depict a license plate frame environmental structure for illustrative purposes only and form no part of the claimed design;
 and,
 FIG. 8 is a rear perspective view thereof.

1 Claim, 3 Drawing Sheets

(56) **References Cited**

U.S. PATENT DOCUMENTS

D131,351 S	2/1942	Knapke	
4,011,675 A	3/1977	Herring	
D280,460 S *	9/1985	Gronborg et al.	D29/111
D289,568 S *	4/1987	Nimmons	D29/111
D298,868 S *	12/1988	Klindt	D29/111
4,956,930 A	9/1990	Troncoso	
D318,838 S	8/1991	Troncoso	
D365,077 S	12/1995	Lee	
D366,236 S	1/1996	Chu	
D381,127 S *	7/1997	Rothwell	D29/111
D413,291 S	8/1999	Corns, Jr.	
D441,332 S	5/2001	McBroom et al.	
D463,885 S *	10/2002	Burns	D29/111
D477,799 S	7/2003	Arens	
D508,298 S *	8/2005	Bernacchi et al.	D29/111
7,316,433 B2 *	1/2008	Levine	293/142



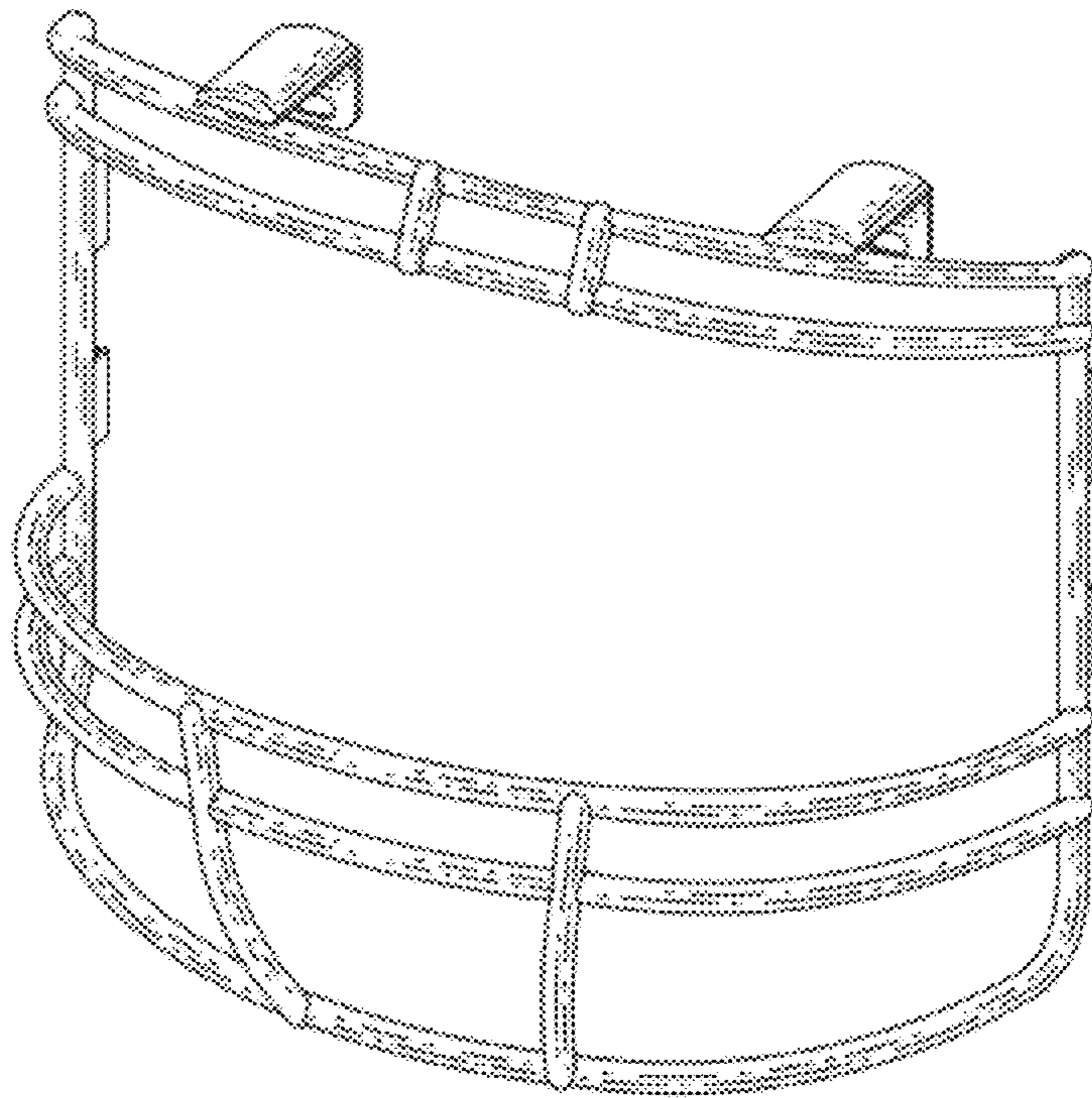


Fig. 1

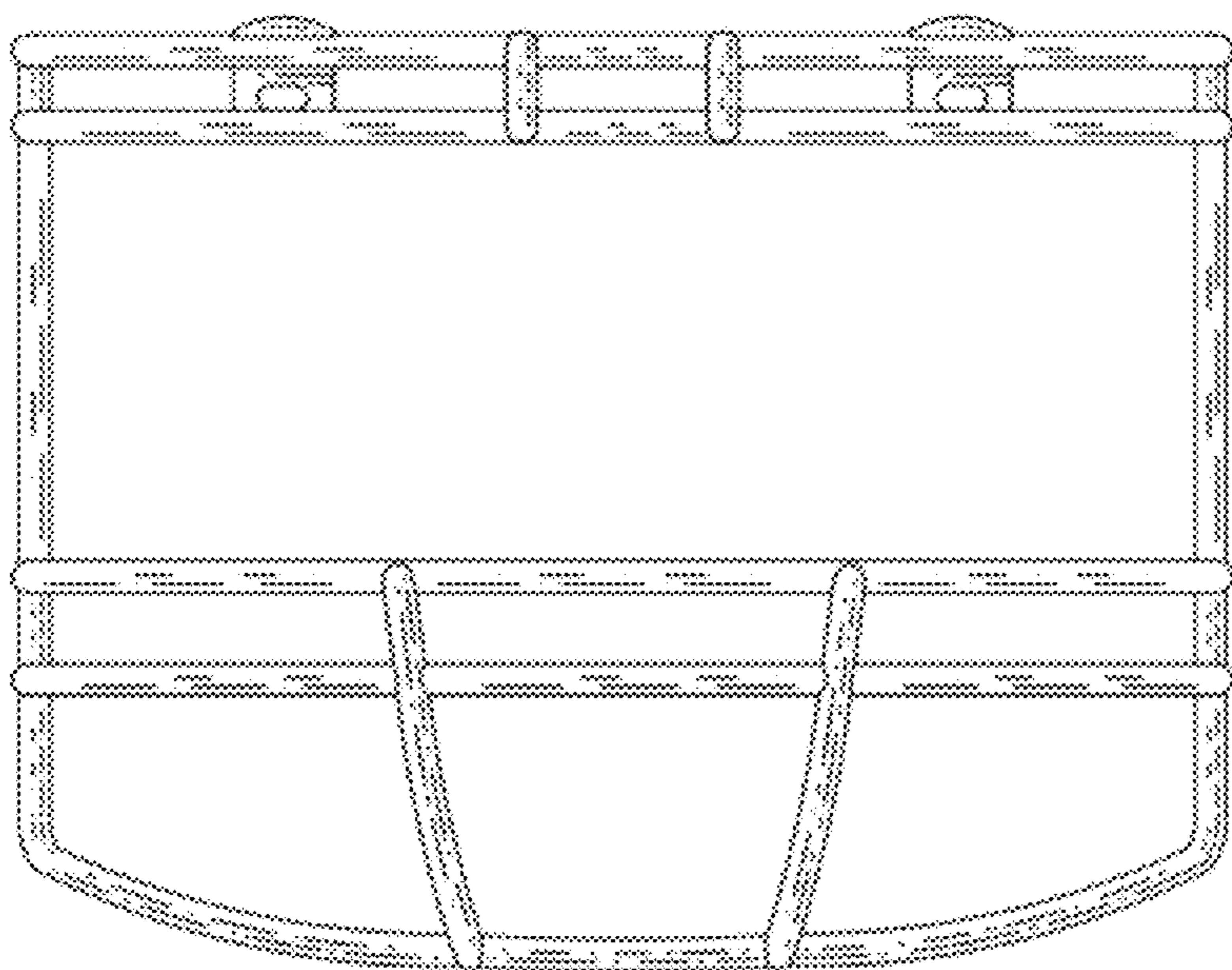


Fig. 2

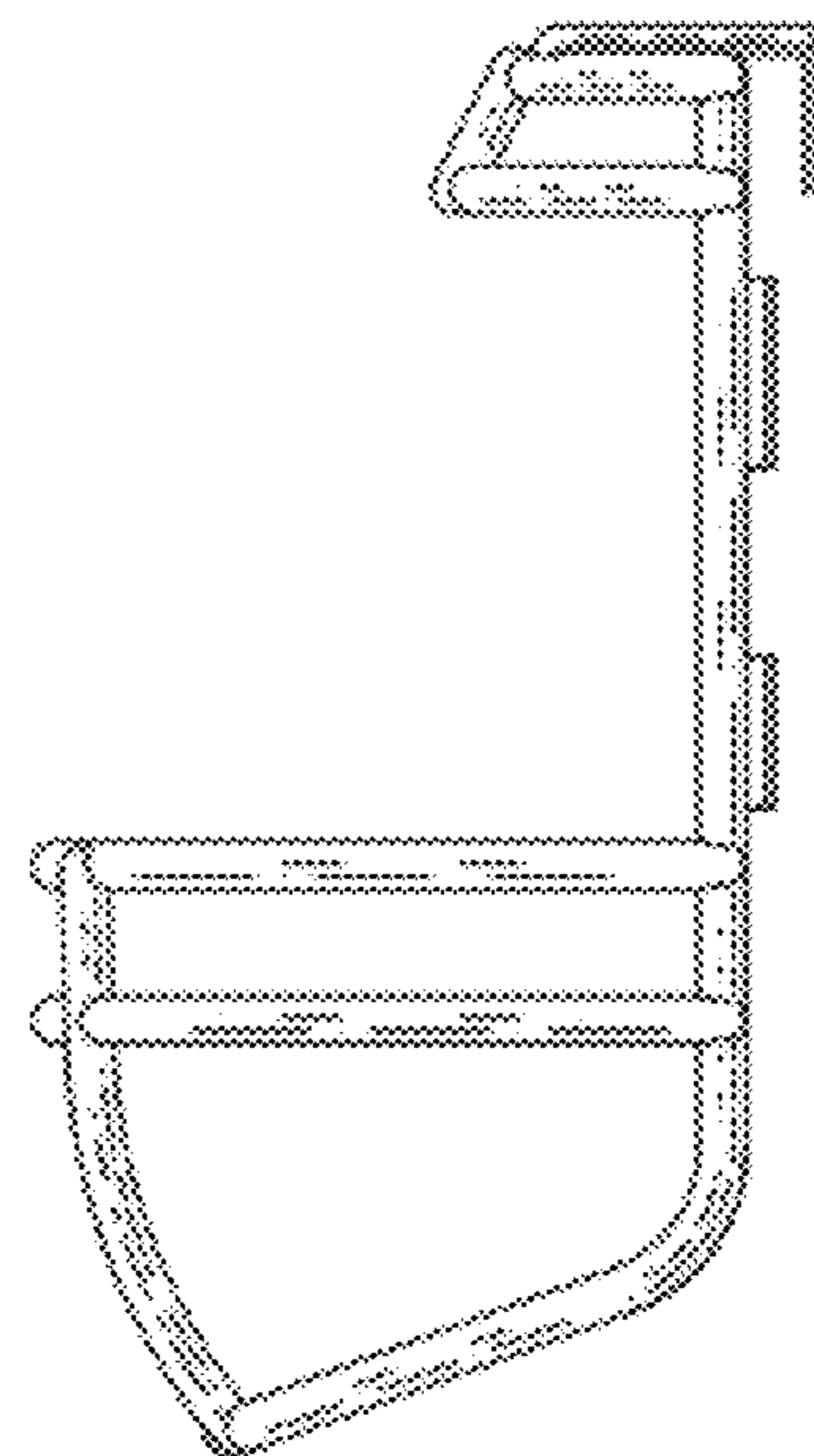


Fig. 3

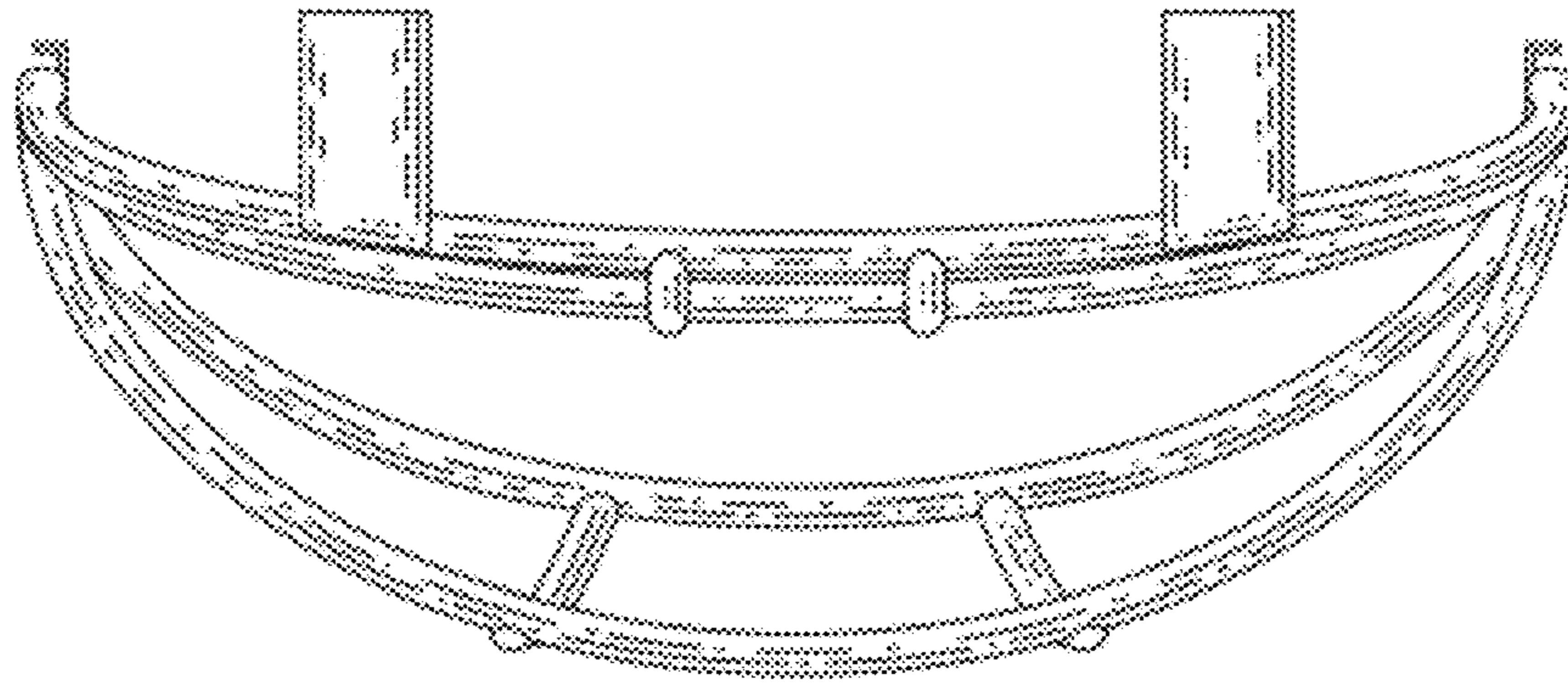


Fig. 4

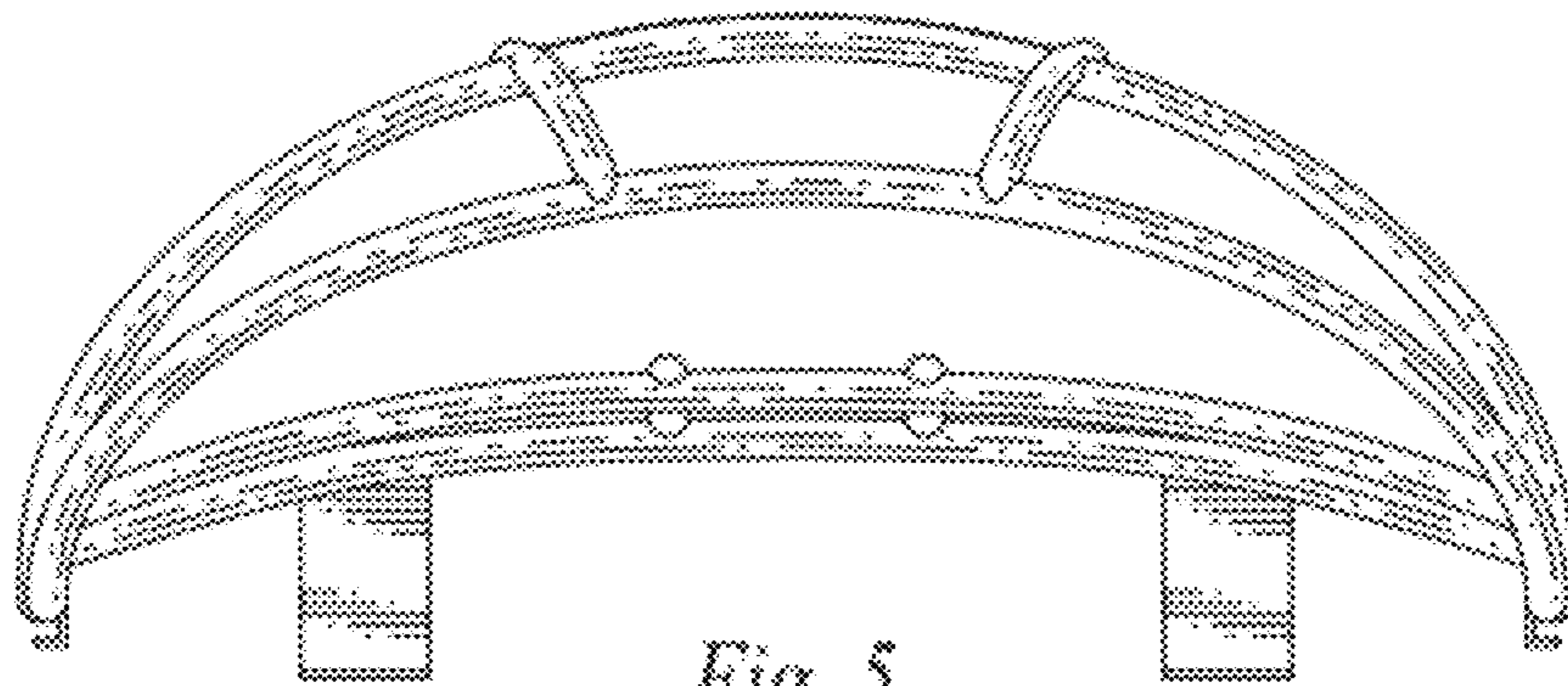


Fig. 5

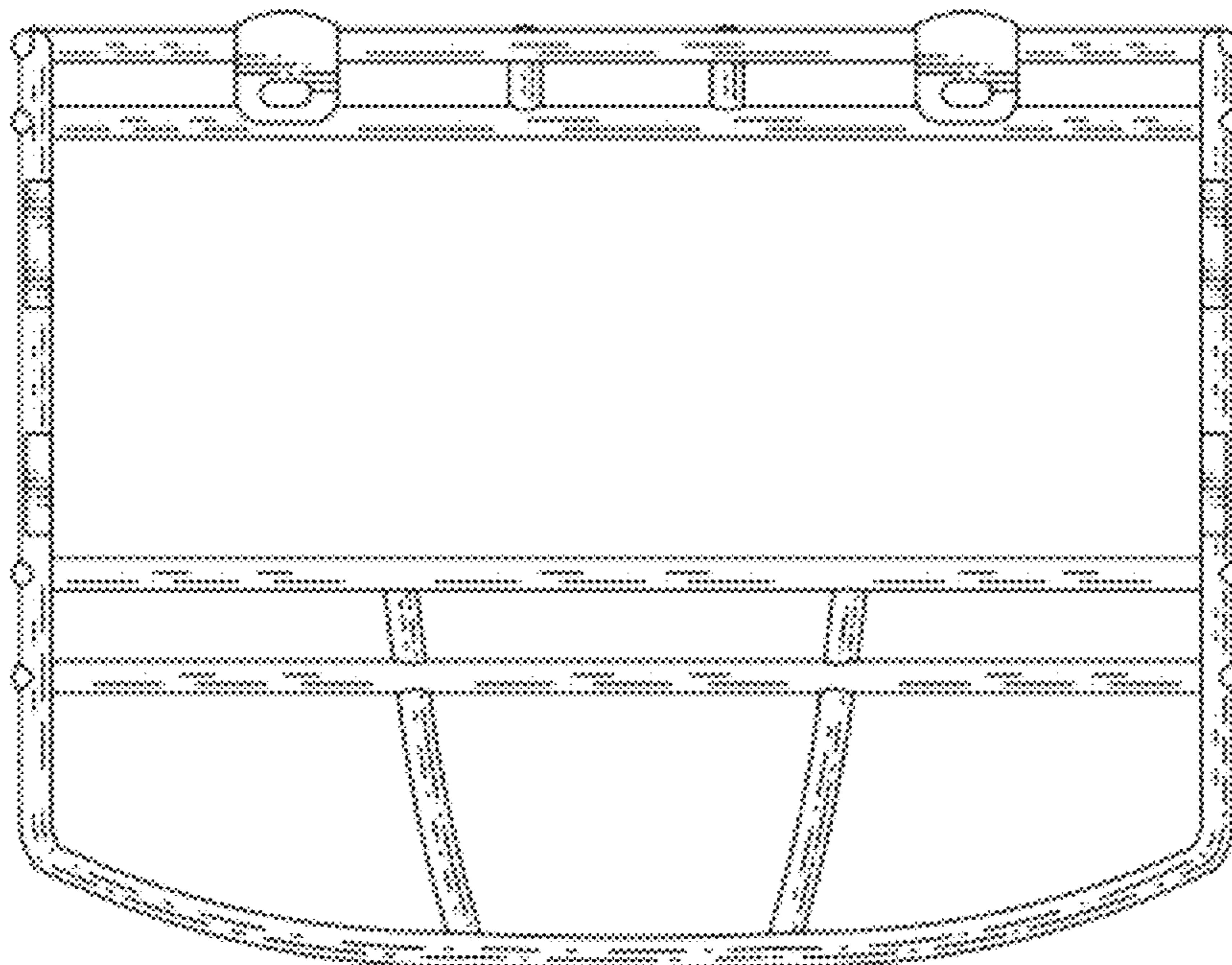


Fig. 6

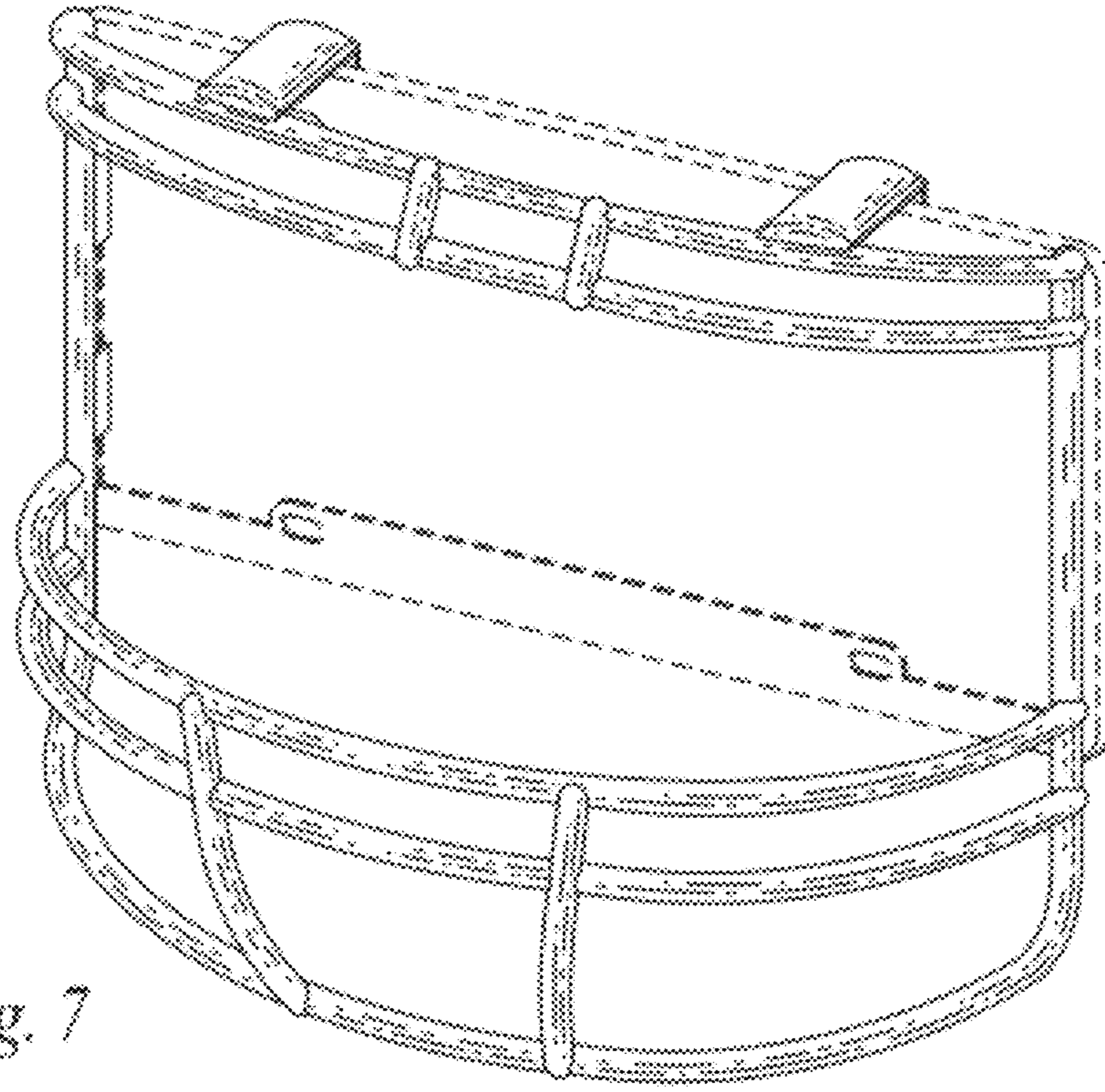


Fig. 7

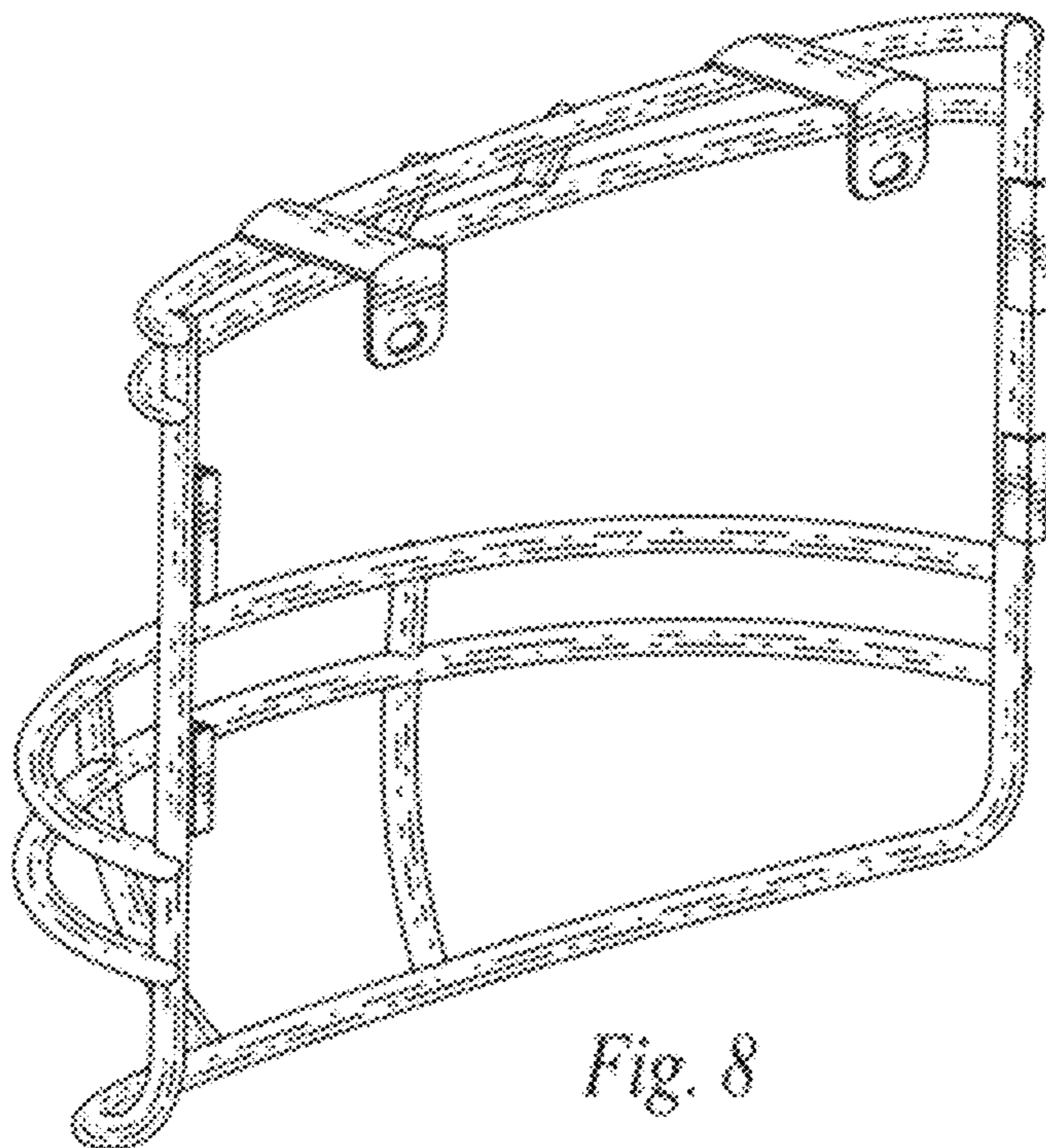


Fig. 8