

US00D677199S

(12) **United States Design Patent**
Hamilton et al.

(10) **Patent No.:** **US D677,199 S**
(45) **Date of Patent:** **** Mar. 5, 2013**

(54) **VEHICLE FRONT LOWER BUMPER COVER**

(75) Inventors: **Christopher Hamilton**, Bloomfield Hills, MI (US); **Dillon Blanski**, Ferndale, MI (US); **Murat Gueler**, West Bloomfield, MI (US); **Christopher G. Walter**, Walled Lake, MI (US); **Moray Callum**, Ann Arbor, MI (US)

(73) Assignee: **Ford Motor Company**, Dearborn, MI (US)

(**) Term: **14 Years**

(21) Appl. No.: **29/405,433**

(22) Filed: **Nov. 2, 2011**

(51) **LOC (9) Cl.** **12-16**

(52) **U.S. Cl.** **D12/169**

(58) **Field of Classification Search** D12/163,
D12/171, 196, 216, 90-92, 86, 164, 169;
293/102, 103, 105, 112, 113, 115, 117; 296/180.1,
296/180.2

See application file for complete search history.

(56) **References Cited**

U.S. PATENT DOCUMENTS

D519,069 S * 4/2006 Clark et al. D12/169
D540,722 S * 4/2007 Angelo et al. D12/169

OTHER PUBLICATIONS

Car Advice, Oct. 5, 2011, 2013 Ford Mondeo Mule Spy Photot.

* cited by examiner

Primary Examiner — Melody N Brown

(74) *Attorney, Agent, or Firm* — Damian Porcari

(57) **CLAIM**

The ornamental design for a vehicle front lower bumper cover, as shown and described.

DESCRIPTION

FIG. 1 is a left side elevational view of a left vehicle front lower bumper cover (the right vehicle front lower bumper cover being a mirror image and is not shown);

FIG. 2 is a right side elevational view of the vehicle front lower bumper cover;

FIG. 3 is a front elevational view of the vehicle front lower bumper cover;

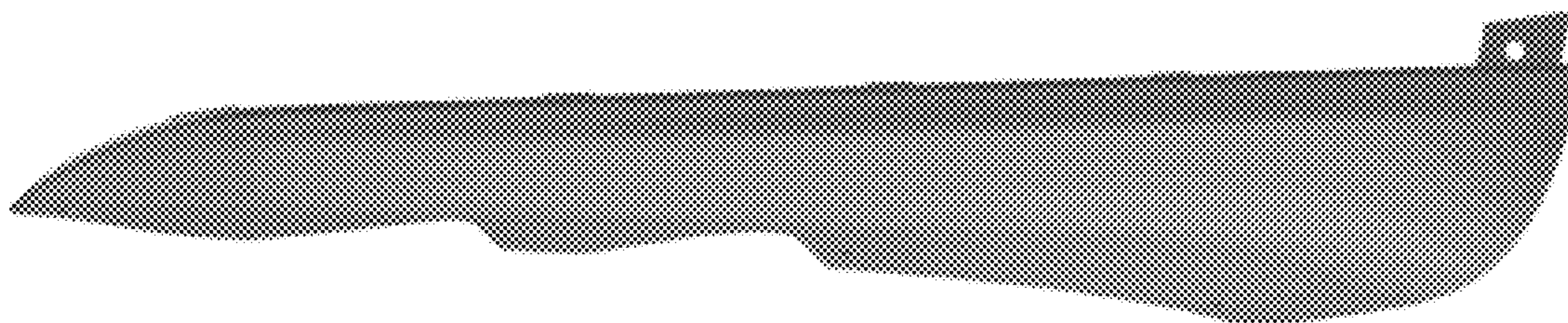
FIG. 4 is a top plan view of the vehicle front lower bumper cover;

FIG. 5 is a bottom plan view of the vehicle front lower bumper cover;

FIG. 6 is a perspective view of the vehicle front lower bumper cover; and,

FIG. 7 is another perspective view of the vehicle front lower bumper cover.

1 Claim, 7 Drawing Sheets



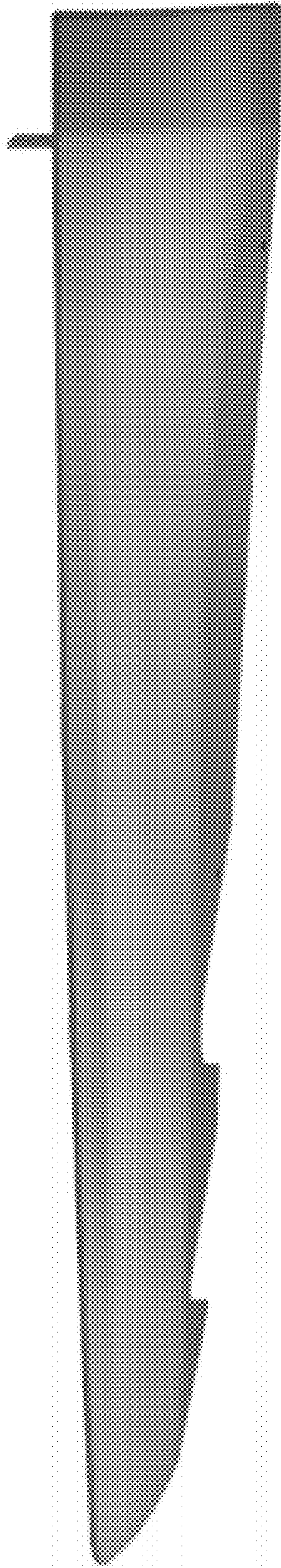


Figure 1

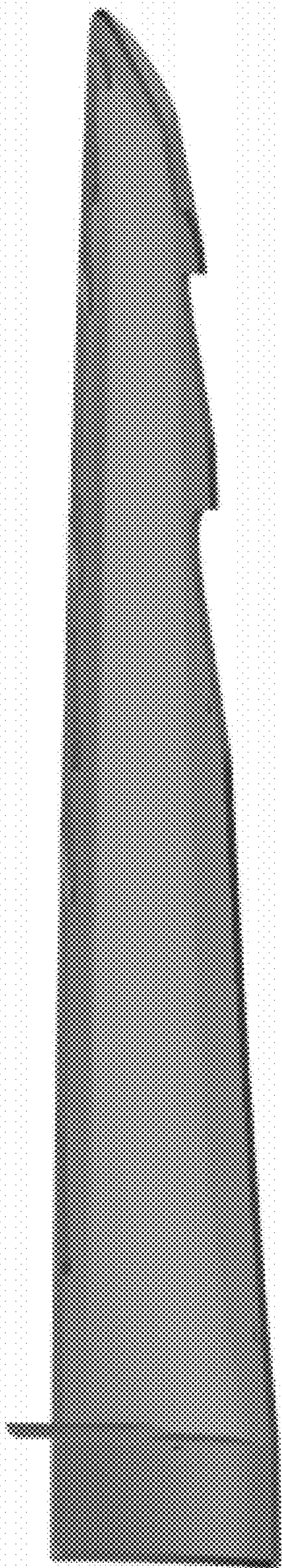


Figure 2

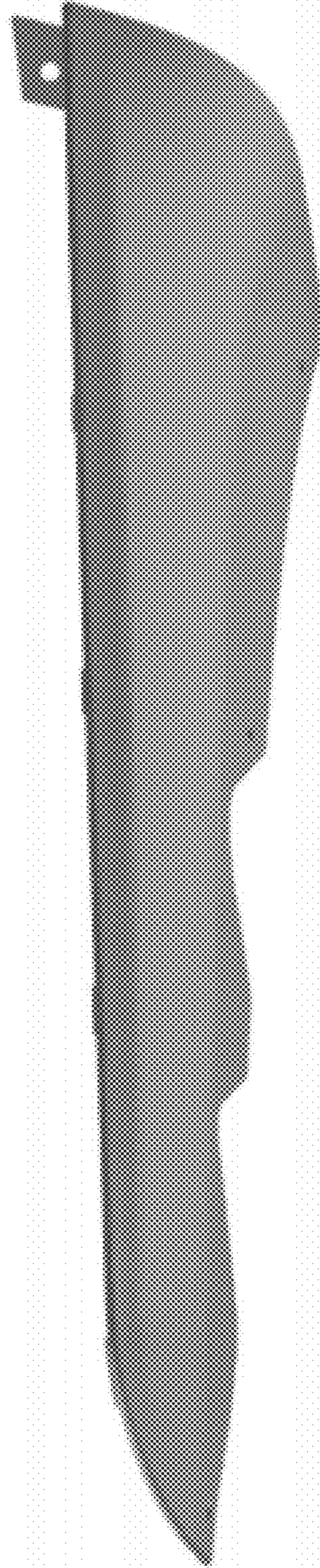


Figure 3

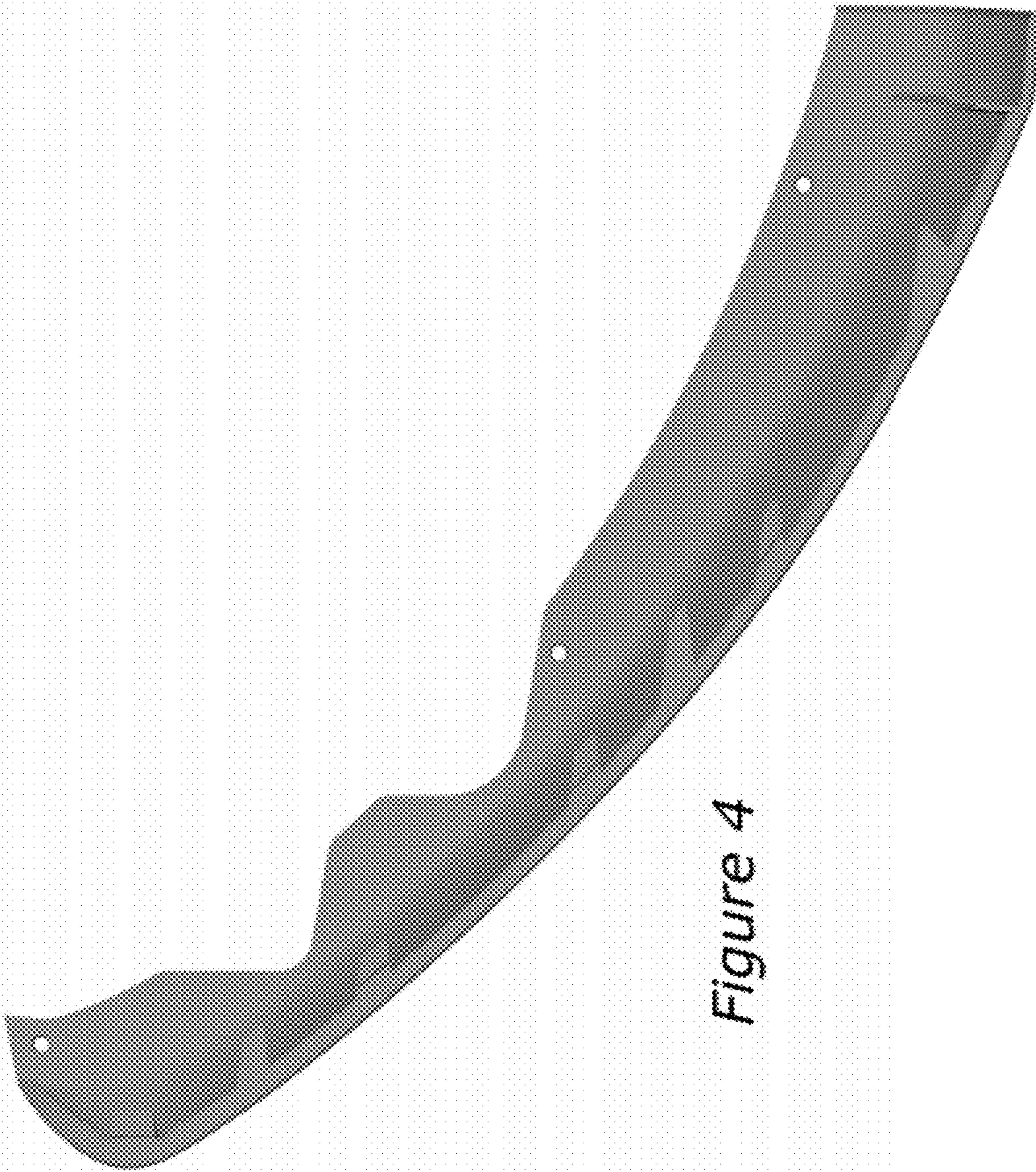


Figure 4

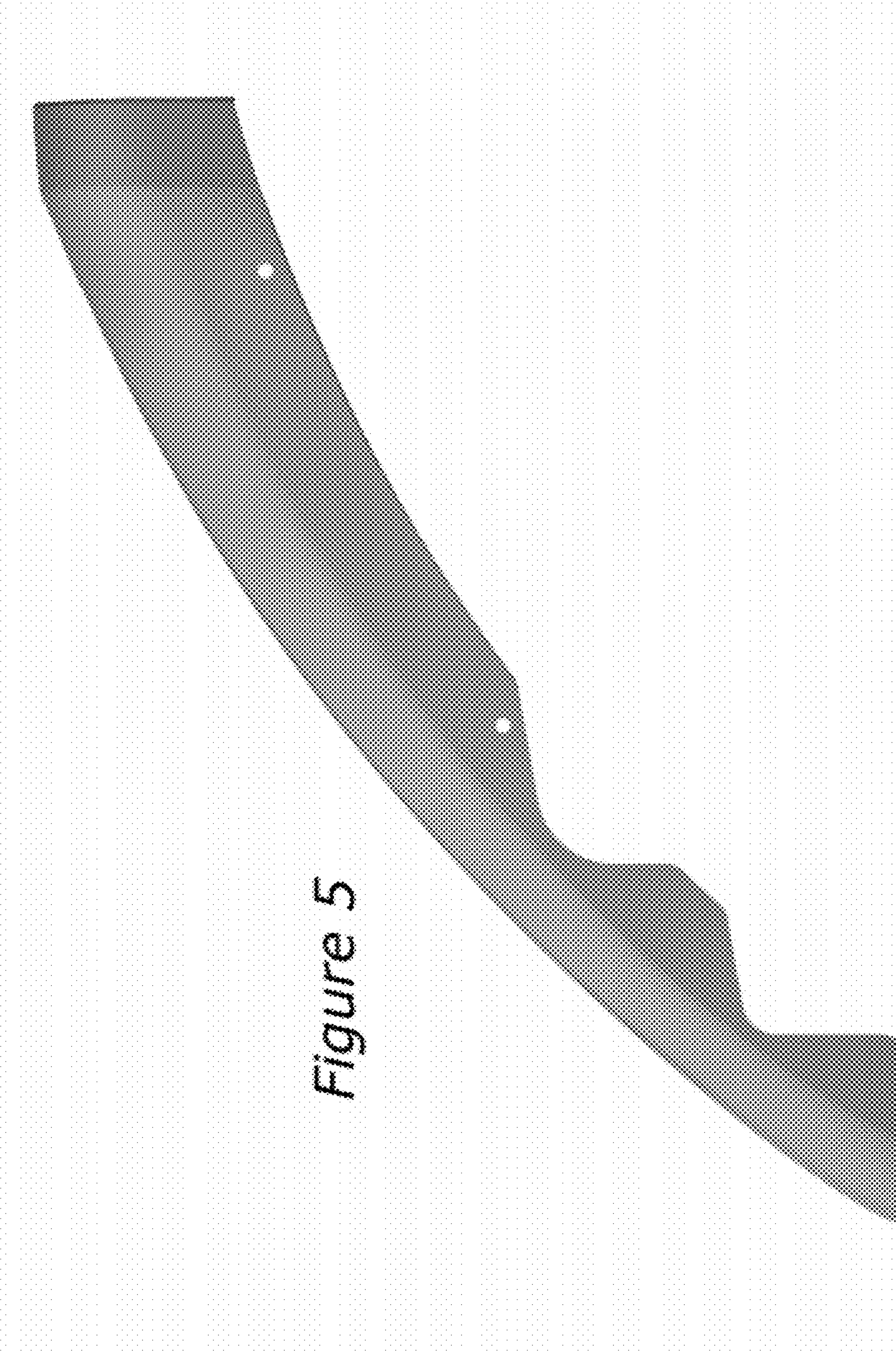


Figure 5

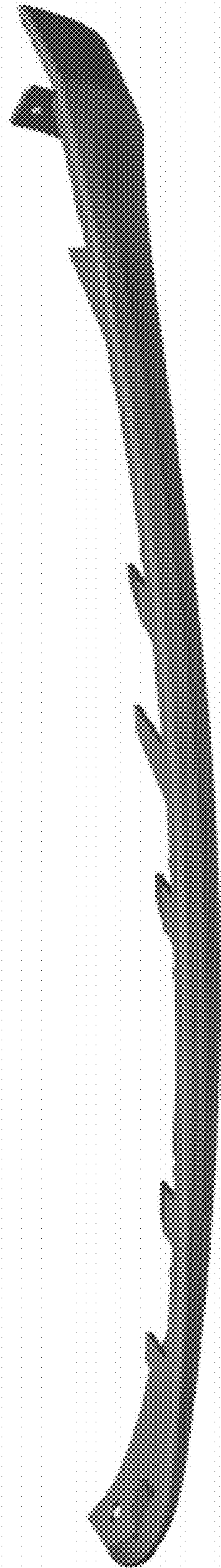


Figure 6

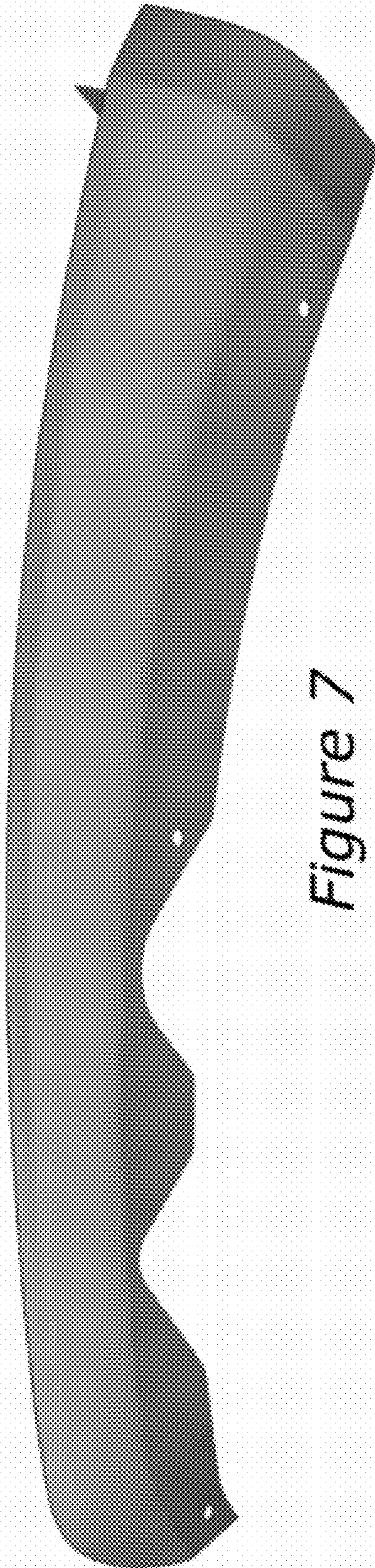


Figure 7