



US00D677198S

(12) **United States Design Patent**
Verbowski

(10) **Patent No.:** **US D677,198 S**

(45) **Date of Patent:** **** Mar. 5, 2013**

(54) **SUSPENSION MODULE WITH SNAP RING**

(76) **Inventor:** **Larry John Verbowski**, Bay City, MI
(US)

(**) **Term:** **14 Years**

(21) **Appl. No.:** **29/374,746**

(22) **Filed:** **Sep. 29, 2011**

(51) **LOC (9) Cl.** **12-16**

(52) **U.S. Cl.** **D12/159**

(58) **Field of Classification Search** D12/159;
348/271-275; 384/538, 584; D1/100, 127-130,
D1/199; D11/10-11, 26-28, 40-43, 75,
D11/89-93; D28/8.1; D21/386; D24/100-101;
119/702, 707-711

See application file for complete search history.

(56) **References Cited**

U.S. PATENT DOCUMENTS

| | | | | | |
|-----------|------|---------|----------------|-------|---------|
| 2,142,574 | A * | 1/1939 | Murden | | 384/538 |
| 3,009,747 | A * | 11/1961 | Pitzer | | 384/272 |
| D214,338 | S * | 6/1969 | Stone | | D15/143 |
| D357,030 | S * | 4/1995 | McKenna | | D15/143 |
| D376,159 | S * | 12/1996 | Waskiewicz | | D15/143 |
| 6,086,327 | A * | 7/2000 | Mack et al. | | 415/160 |
| 6,386,763 | B1 * | 5/2002 | Mack et al. | | 384/272 |
| D458,285 | S * | 6/2002 | Votruba et al. | | D15/143 |

| | | | | | |
|-----------|------|---------|-------------------|-------|---------|
| 6,601,271 | B1 * | 8/2003 | Sommerfeld et al. | | 16/427 |
| D599,634 | S * | 9/2009 | Taylor, Jr. | | D8/29 |
| D601,930 | S * | 10/2009 | Chen | | D12/114 |
| D617,515 | S * | 6/2010 | Dunn | | D32/35 |
| D630,191 | S * | 1/2011 | Chang et al. | | D14/225 |

* cited by examiner

Primary Examiner — Michael A Pratt

(74) *Attorney, Agent, or Firm* — Robert L. McKellar;
McKellar IP Law, PLLC

(57) **CLAIM**

The ornamental design for a suspension module with snap ring, as shown and described herein.

DESCRIPTION

This application claims priority from U.S. Design patent application Ser. No. 29/315,028 filed May 19, 2009.

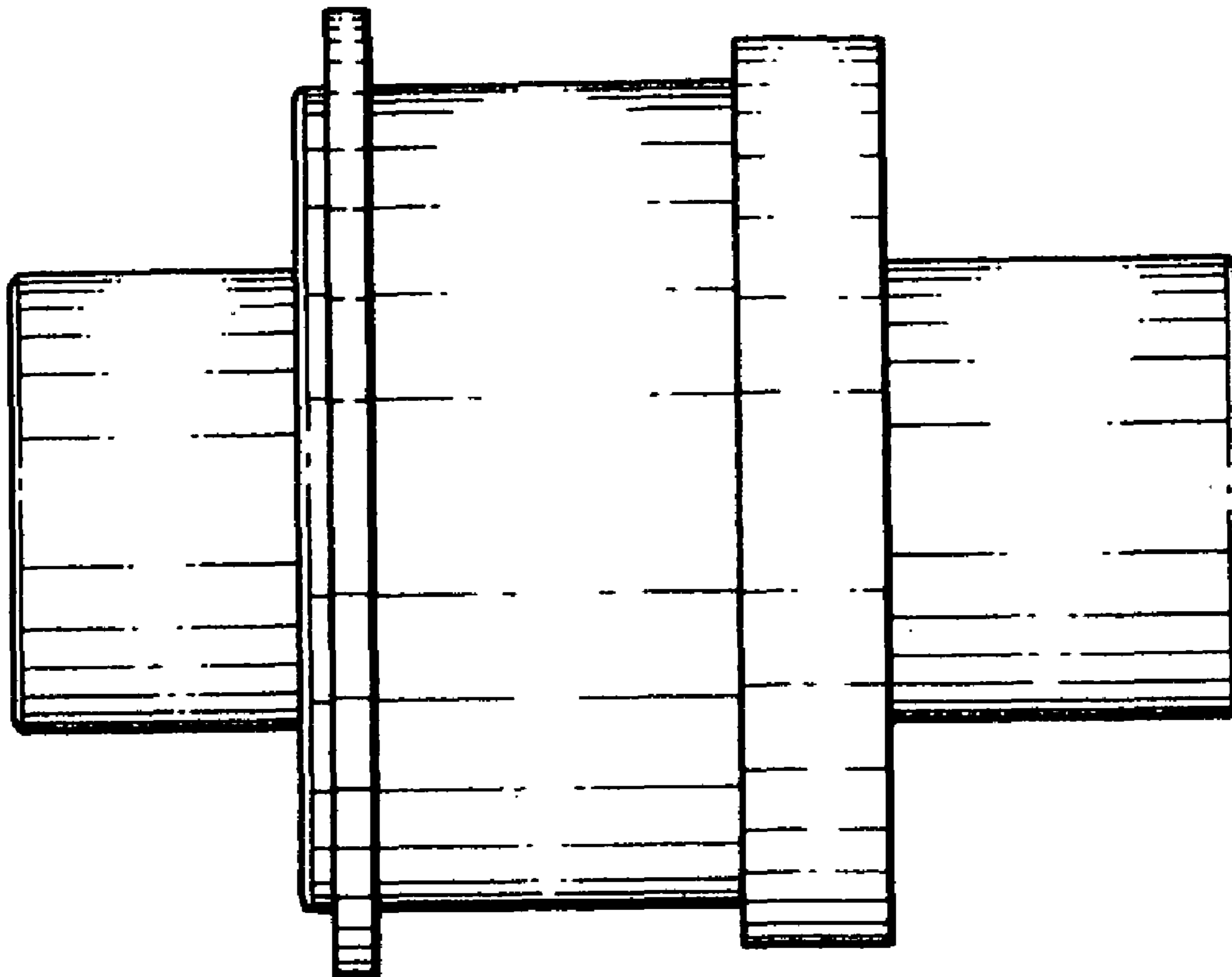
FIG. 1 is a full side view of a suspension module with an outside snap ring on the left end thereof;

FIG. 2 is a full right end view of the suspension module of FIG. 1 showing an inside snap ring.

FIG. 3 is a cross sectional view through lines 3-3 of FIG. 2; and,

FIG. 4 is a full left end view of the suspension module of FIG. 1 showing the outside snap ring.

1 Claim, 2 Drawing Sheets



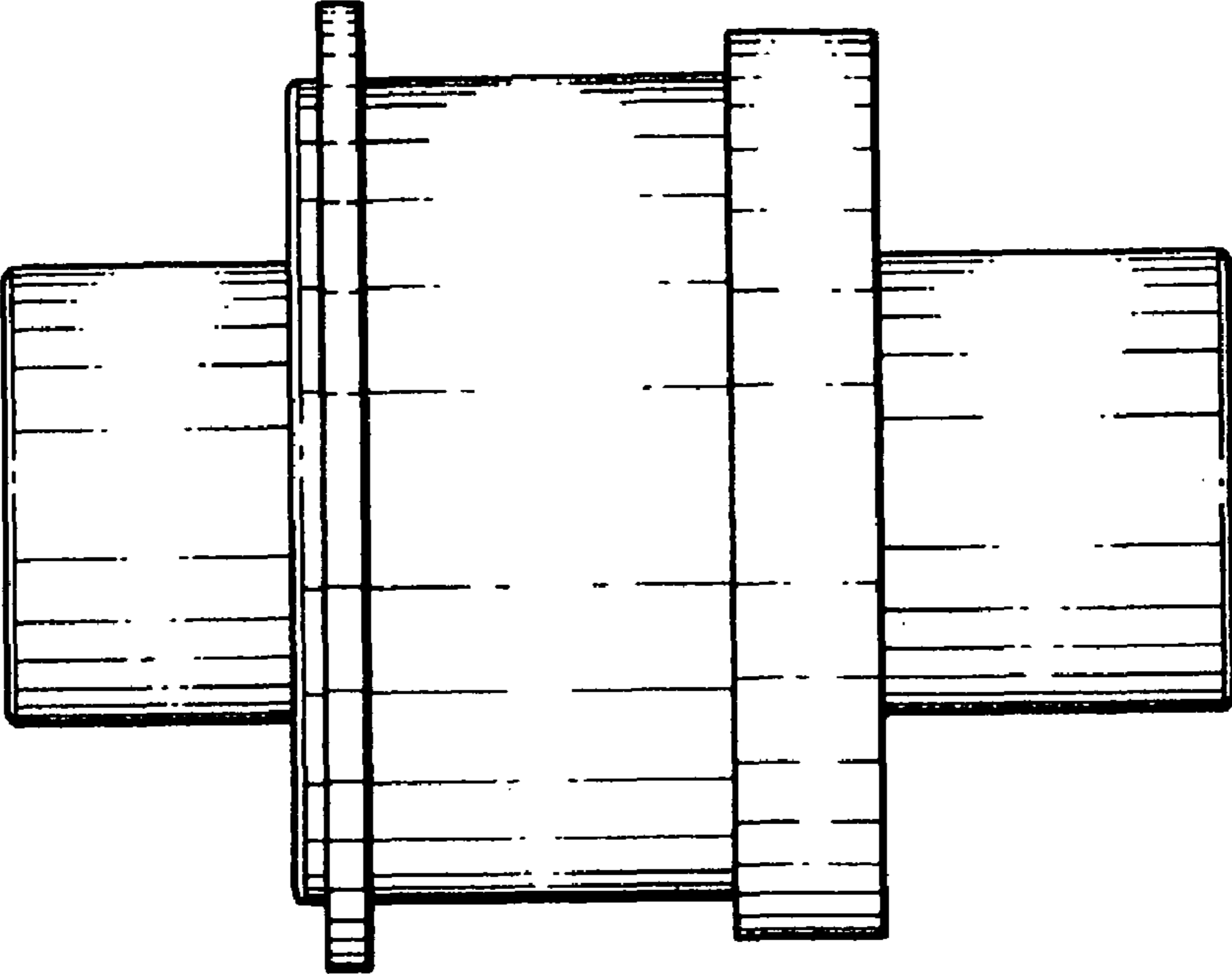


FIG. 1

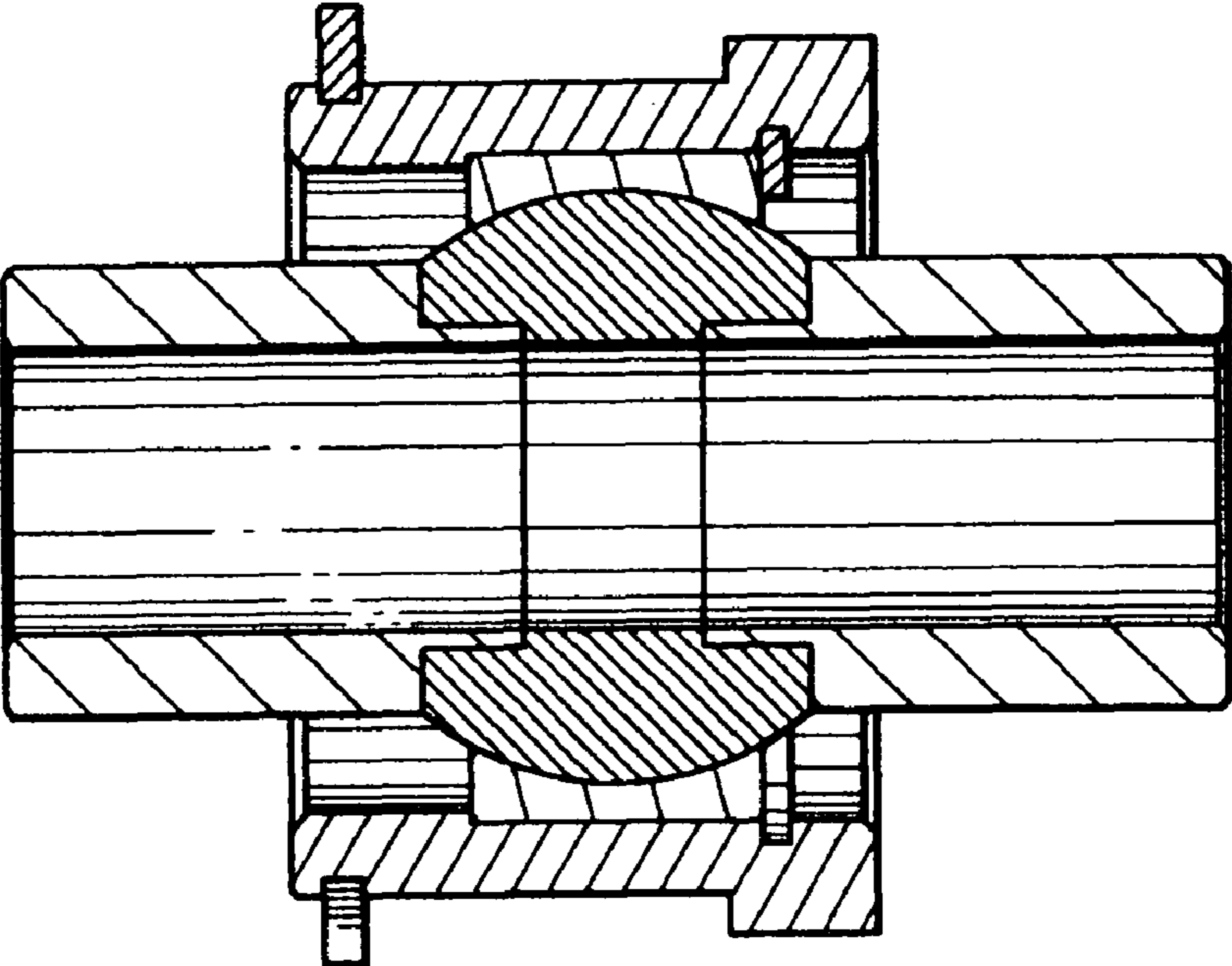


FIG. 3

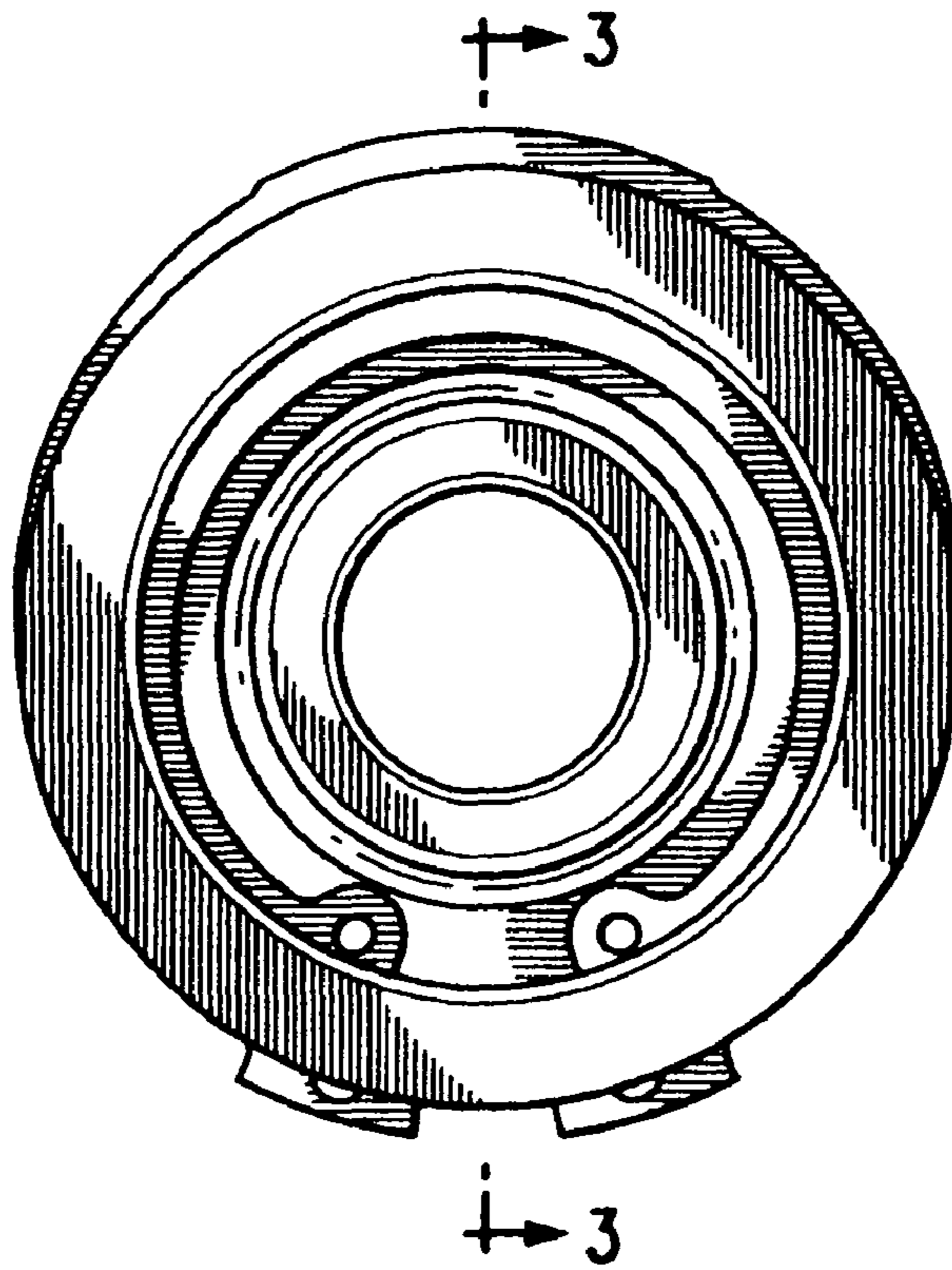


FIG. 2

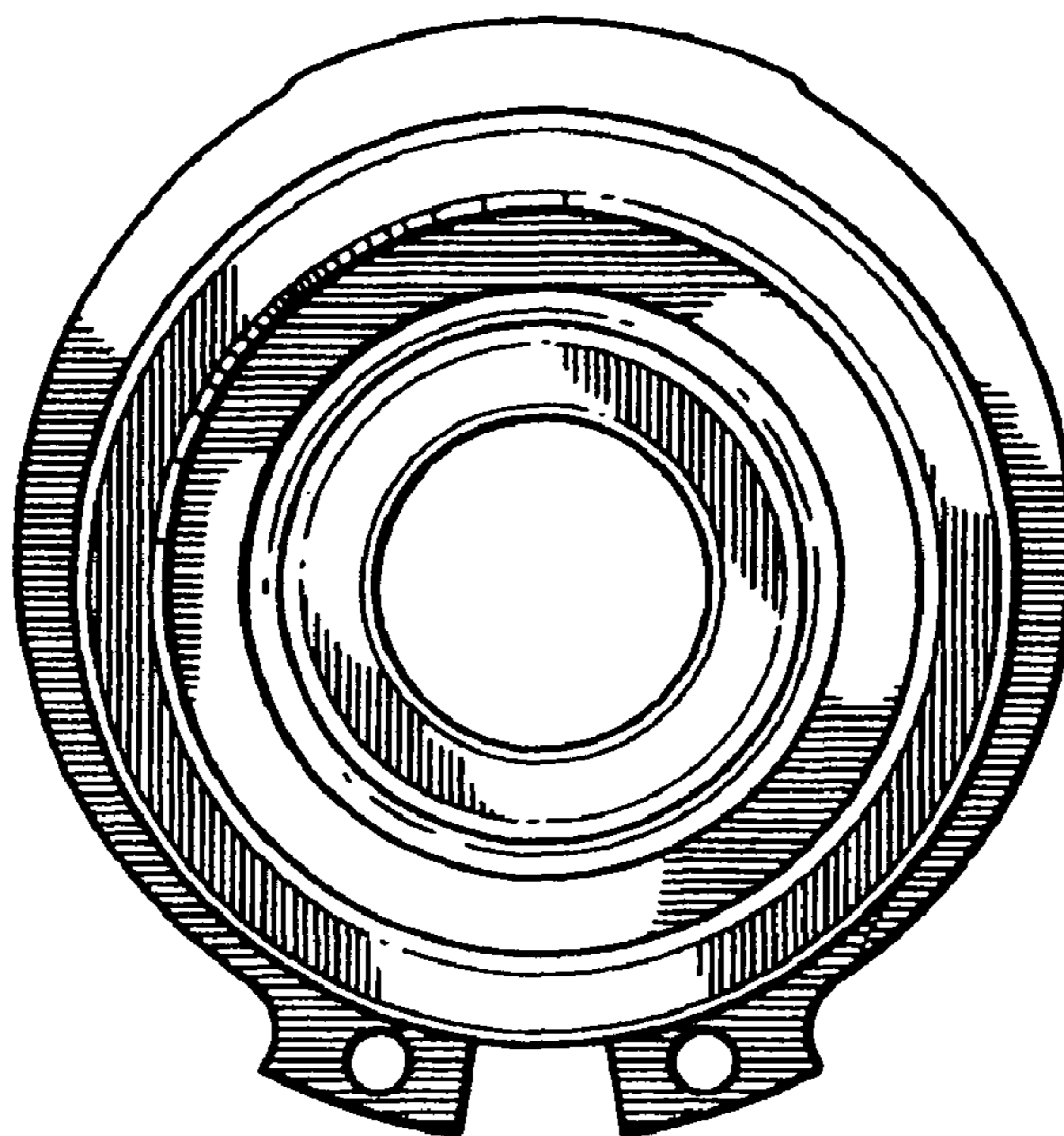


FIG. 4