



US00D677196S

(12) **United States Design Patent**  
**Salaverry et al.**

(10) **Patent No.:** **US D677,196 S**  
(45) **Date of Patent:** **\*\* Mar. 5, 2013**

(54) **SET OF DRAG REDUCING PANELS FOR A ROAD TRACTOR**  
(75) Inventors: **Peter C. Salaverry**, Dallas, TX (US);  
**Richard Wood**, Virginia Beach, VA (US)  
(73) Assignee: **Fastskinz, Inc.**, Dallas, TX (US)  
(\*\*) Term: **14 Years**  
(21) Appl. No.: **29/404,017**

D437,258 S \* 2/2001 Meryman et al. .... D12/96  
D441,539 S 5/2001 Streit  
6,258,429 B1 7/2001 Nelson  
D460,023 S \* 7/2002 Beigel ..... D12/96  
D472,752 S 4/2003 Medendorp  
6,551,029 B2 4/2003 Shu et al.  
6,644,894 B2 11/2003 Shu et al.  
D493,055 S 7/2004 Ferretti  
D496,620 S \* 9/2004 Perfetti et al. .... D12/196  
6,849,007 B2 2/2005 Morgan et al.  
7,070,850 B2 7/2006 Dietz et al.  
D539,704 S \* 4/2007 Angelo et al. .... D12/96  
7,278,930 B2 10/2007 Yokota et al.

(Continued)

(22) Filed: **Oct. 13, 2011**  
(51) **LOC (9) Cl.** ..... **12-08**  
(52) **U.S. Cl.** ..... **D12/93; D12/181**  
(58) **Field of Classification Search** ..... D12/93,  
D12/96, 99, 181, 196; 296/180.1, 180.2,  
296/180.3, 180.4, 180.5; 280/848  
See application file for complete search history.

**OTHER PUBLICATIONS**

Avery Dennison Corporation, DOL 1000 Gloss Clear Cast Vinyl,  
Product Data Bulletin, Nov. 7, 2005, 2 pages.

(Continued)

(56) **References Cited**

**U.S. PATENT DOCUMENTS**

1,342,733	A	6/1920	Austin	
2,313,473	A	3/1943	Heacock et al.	
3,604,661	A	9/1971	Mayer, Jr.	
4,256,304	A	3/1981	Smith et al.	
4,284,302	A	8/1981	Drews	
4,313,635	A *	2/1982	Front	296/180.3
4,343,506	A *	8/1982	Saltzman	296/24.31
4,455,045	A	6/1984	Wheeler	
4,736,912	A	4/1988	Loebert	
4,883,556	A	11/1989	Leavitt, Sr. et al.	
4,932,716	A *	6/1990	Marlowe et al.	296/180.2
4,940,622	A	7/1990	Leavitt, Sr. et al.	
4,955,709	A	9/1990	Smith	
5,000,508	A *	3/1991	Woods	296/180.5
5,133,516	A	7/1992	Marentic et al.	
5,289,997	A	3/1994	Harris	
D348,705	S *	7/1994	Onopa	D12/181
5,525,177	A	6/1996	Ross	
5,609,938	A	3/1997	Shields	
5,773,110	A	6/1998	Shields	
5,803,409	A	9/1998	Keefe	
5,830,529	A	11/1998	Ross	
D406,552	S *	3/1999	Hellhake et al.	D12/93
5,925,437	A	7/1999	Nelson	
D429,199	S *	8/2000	Bulaquena et al.	D12/181

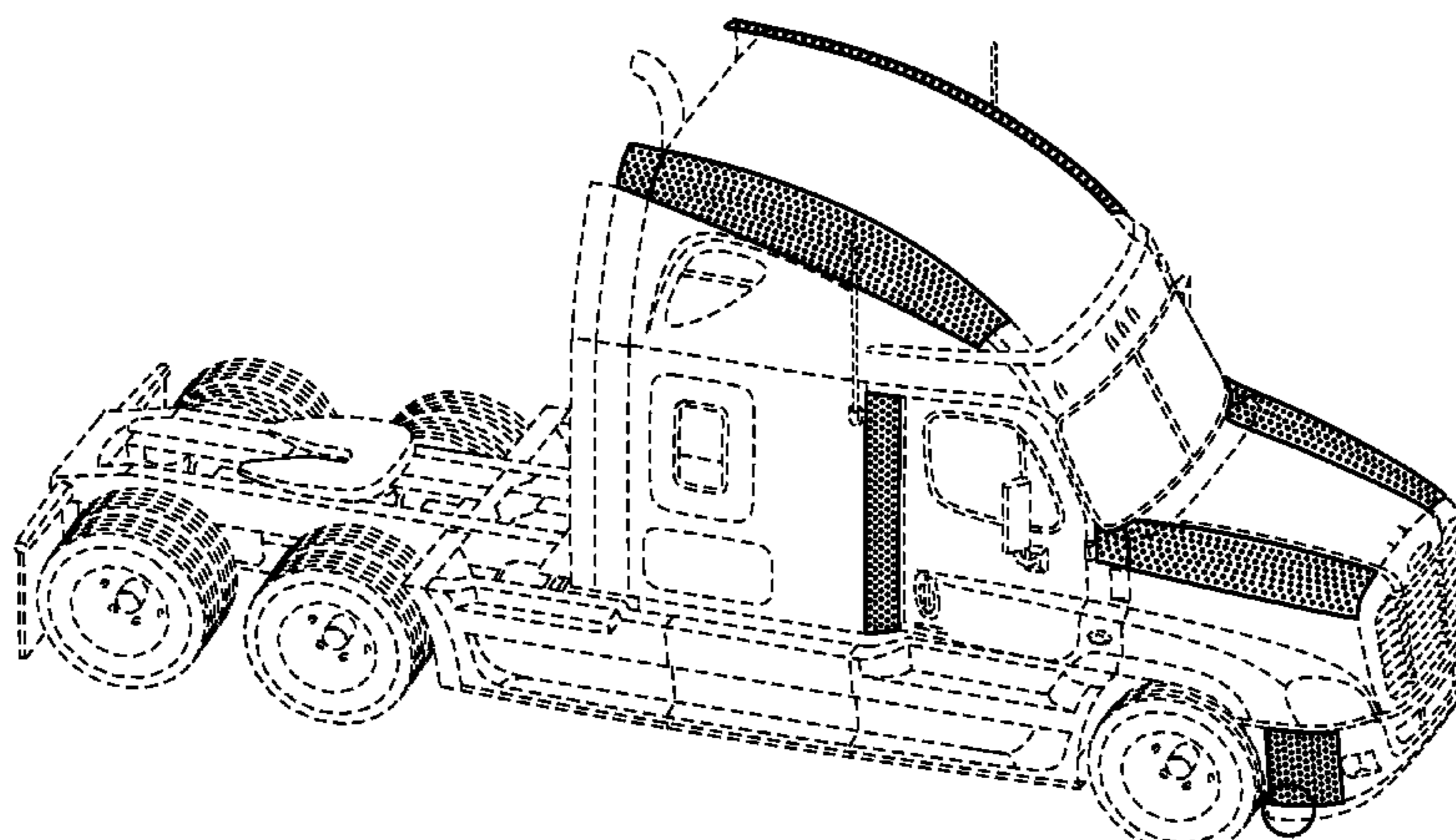
*Primary Examiner* — Philip S Hyder  
*Assistant Examiner* — John T Applewhite  
(74) *Attorney, Agent, or Firm* — Morgan, Lewis & Bockius LLP

(57) **CLAIM**  
An ornamental design for set of drag reducing panels for a road tractor, as shown and described.

**DESCRIPTION**

FIG. 1 is a perspective view of the set of drag reducing panels for a road tractor;  
FIG. 2 is an enlarged view of a portion of FIG. 1, to more clearly illustrate the set of drag reducing panel thickness and holes punched there through;  
FIG. 3 is a side view of the design of FIG. 1;  
FIG. 4 is a front view of the design of FIG. 1; and,  
FIG. 5 is a top view of the design of the set of drag reducing panels for a road tractor.  
The broken line showing of a road tractor is included for the purpose of illustrating the set of drag reducing panels and forms no part of the claimed design.  
The appearance of the of the drag reducing panel's hole pattern and thickness as depicted in FIG. 2 is representative of the appearance that extends across the entirety of the claimed design.

**1 Claim, 5 Drawing Sheets**



U.S. PATENT DOCUMENTS

D566,009	S *	4/2008	Beigel et al. ....	D12/96
D593,907	S *	6/2009	Piedy .....	D12/96
7,594,867	B2	9/2009	Nardacci	
7,604,461	B2	10/2009	Bonnet	
D632,224	S *	2/2011	Peltola et al. ....	D12/96
D666,541	S *	9/2012	Stimel, Jr. ....	D12/181
2003/0019737	A1 *	1/2003	Matsumoto et al. ....	203/99
2003/0021030	A1 *	1/2003	Smith .....	359/530
2004/0137252	A1	7/2004	Bonnet et al.	
2004/0224126	A1 *	11/2004	Aeling et al. ....	428/131
2005/0107189	A1	5/2005	Ohama et al.	
2006/0103167	A1 *	5/2006	Wong et al. ....	296/180.1
2007/0284848	A1	12/2007	Brownlie	
2008/0268258	A1	10/2008	Verma et al.	
2008/0272241	A1	11/2008	Brulhart	
2008/0303309	A1 *	12/2008	Dayton .....	296/180.1
2009/0209367	A1	8/2009	Stefan et al.	
2009/0256385	A1	10/2009	Salaverry	
2010/0117396	A1 *	5/2010	Dayton .....	296/180.1
2010/0181434	A1 *	7/2010	Powell et al. ....	244/209
2011/0089716	A1 *	4/2011	Hall .....	296/180.2
2011/0272964	A1 *	11/2011	Henderson et al. ....	296/180.4
2012/0244412	A1 *	9/2012	Pascaly et al. ....	429/144
2012/0261945	A1 *	10/2012	Litchfield .....	296/180.4

OTHER PUBLICATIONS

Avery Dennison Corporation, DOL 4500 Conformable Perforated Window Film Overlaminates, Product Data Bulletin, Mar. 28, 2007, 2 pages.

Avery Dennison Corporation, MPI 1007 EZ Cast Vinyl Film for Digital, Product Data Bulletin, Nov. 2, 2007, 2 pages.

Avery Graphics, Perforated Window Film, Product Data Bulletin, Mar. 26, 2002, 2 pages.

Customize Your Car-Without Paint, downloaded May 6, 2010, pp. 1.

Delozier, Fastskinz Vehicle Wraps May Not Be an Easy Solution to Increased Miles per Gallon, downloaded May 6, 2010, pp. 1-4.

Fast Skinz Executive Summary, 2008, pp. 1-8.

Grunbaum, Tilings and Patterns, 1987, W. H. Freeman and Company, 3 pgs.

Harrington & King Perforating Co., Perforated Materials, 4 pgs.

Holusha; Business Technology Advances: 3M Coating Aids Yacht in Cup Effort; The New York Times; New York, NY; Feb. 4, 1987, 1 page.

Physlink.com, Why do Dimples on a Golf Ball Allow it to Travel Farther?, Apr. 4, 2008, 2 pages.

Riedy; All About the Bike; Jul. 2, 2003; 2 pages.

Salaverry, Notice of Allowance, U.S. Appl. No. 12/102,668, Aug. 27, 2010, 7 pgs.

Salaverry, Notice of Allowance, U.S. Appl. No. 12/877,932, Dec. 21, 2011, 8 pgs.

Salaverry, Office Action, U.S. Appl. No. 12/102,668, Jan. 27, 2010, 7 pgs.

Salaverry, Office Action, U.S. Appl. No. 12/877,932, May 19, 2011, 6 pgs.

Salaverry, Office Action, U.S. Appl. No. 12/877,932, Jan. 27, 2011, 7 pgs.

Salaverry, Office Action, U.S. Appl. No. 29/306,684, Mar. 31, 2010, 7 pgs.

Salaverry, Office Action, U.S. Appl. No. 29/306,684, Jun. 22, 2009, 5 pgs.

Scientific American, How do Dimples in Golf Balls Affect their Flight?, Sep. 19, 2005, 1 page.

Stewart, Fastskinz Test Drive: Can a Golf Ball Covering Improve MPGs?, Popularmechnics.com, 2010, downloaded May 6, 2010, pp. 1-3.

The Science and Theories Behind Drag Reducing Vehicle Wrap Material, Exclusively Distributed by SkinzWraps, Finds Support in Newest Episode of Discovery Channel's Mythbusters, Oct. 22, 2009, downloaded May 6, 2010, pp. 1.

Voelcker, Today's Mileage Tip: Turn Your Car Into a Shark, downloaded May 6, 2010, pp. 1-2.

\* cited by examiner

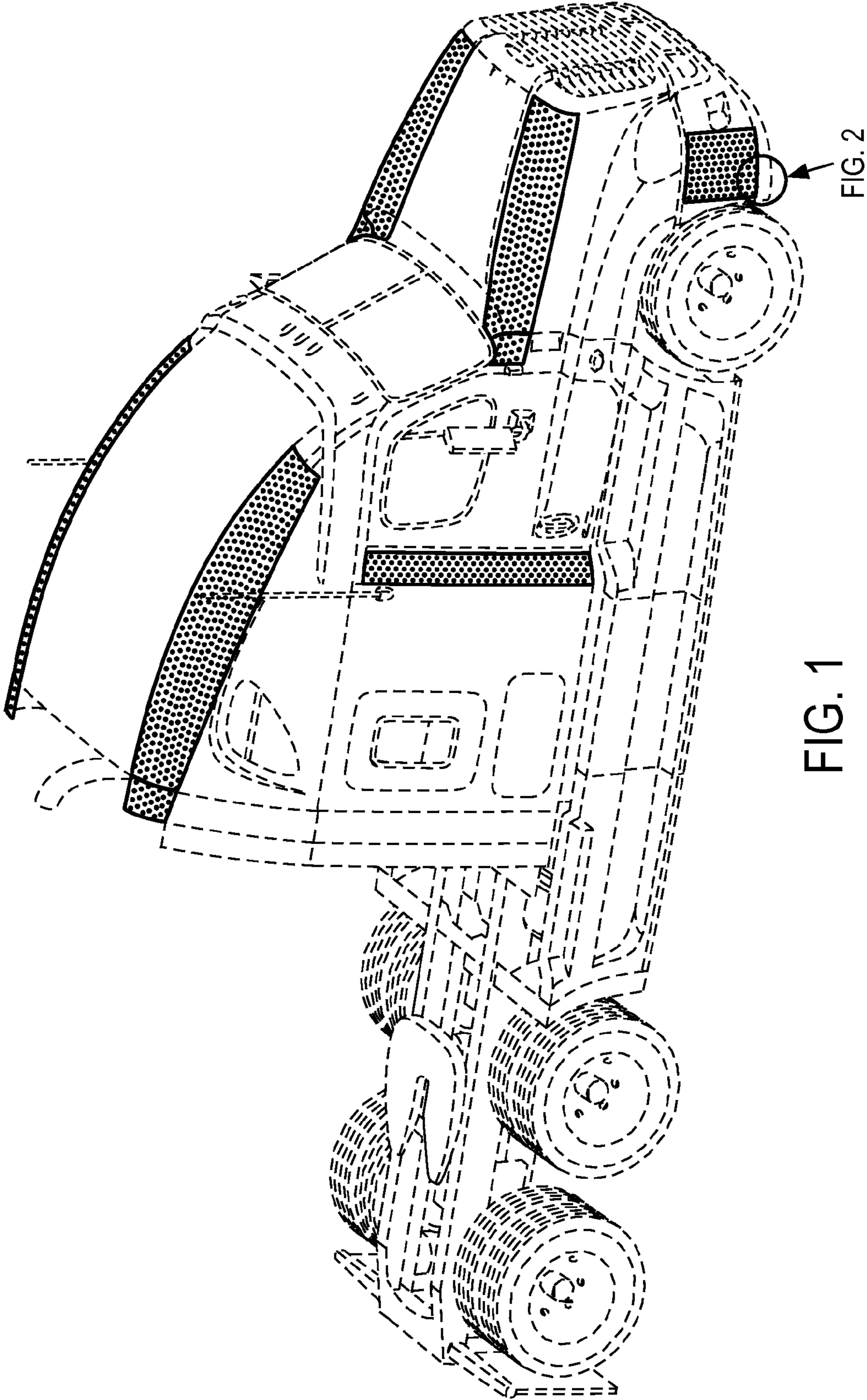


FIG. 1

FIG. 2

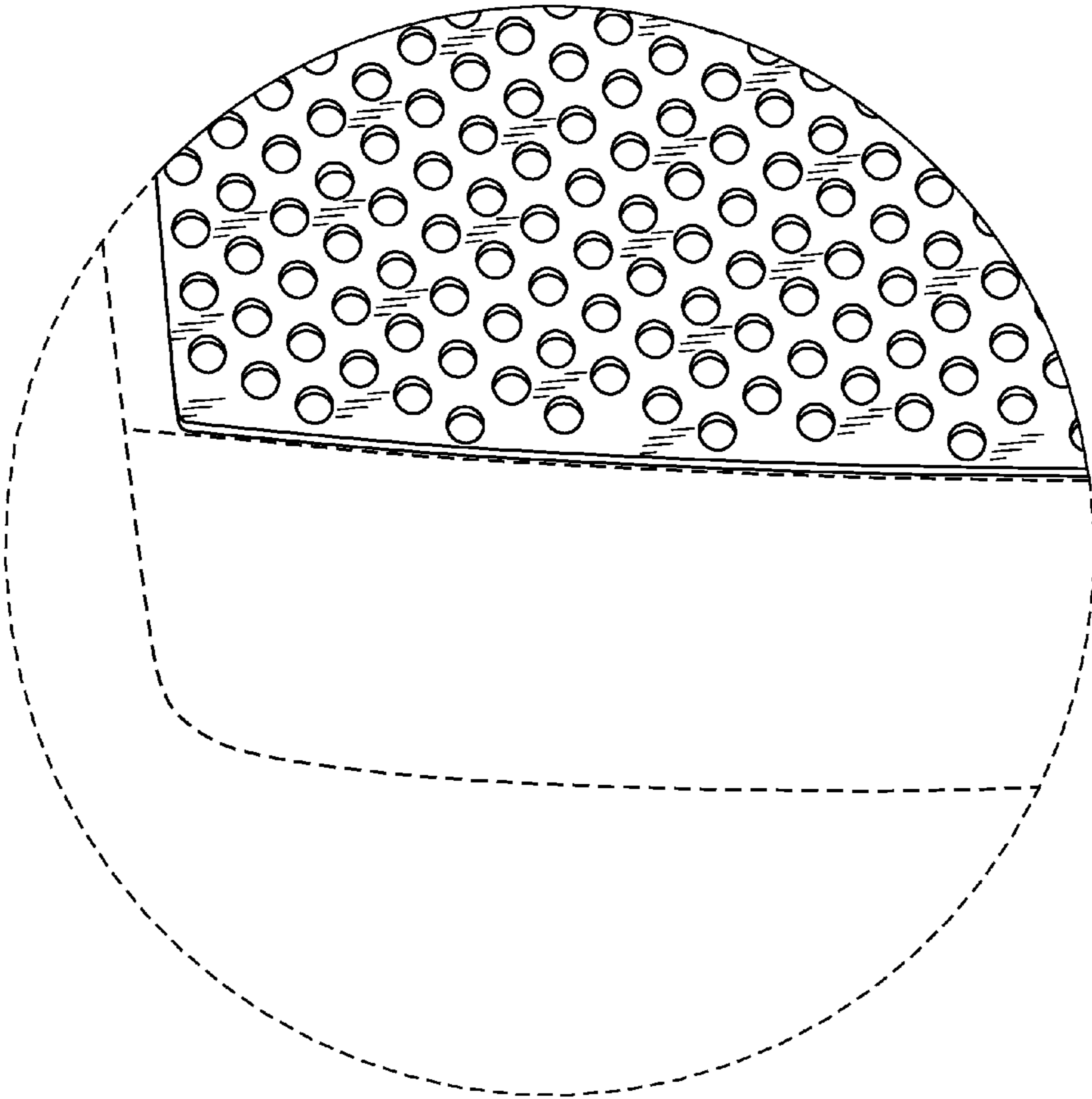


FIG. 2

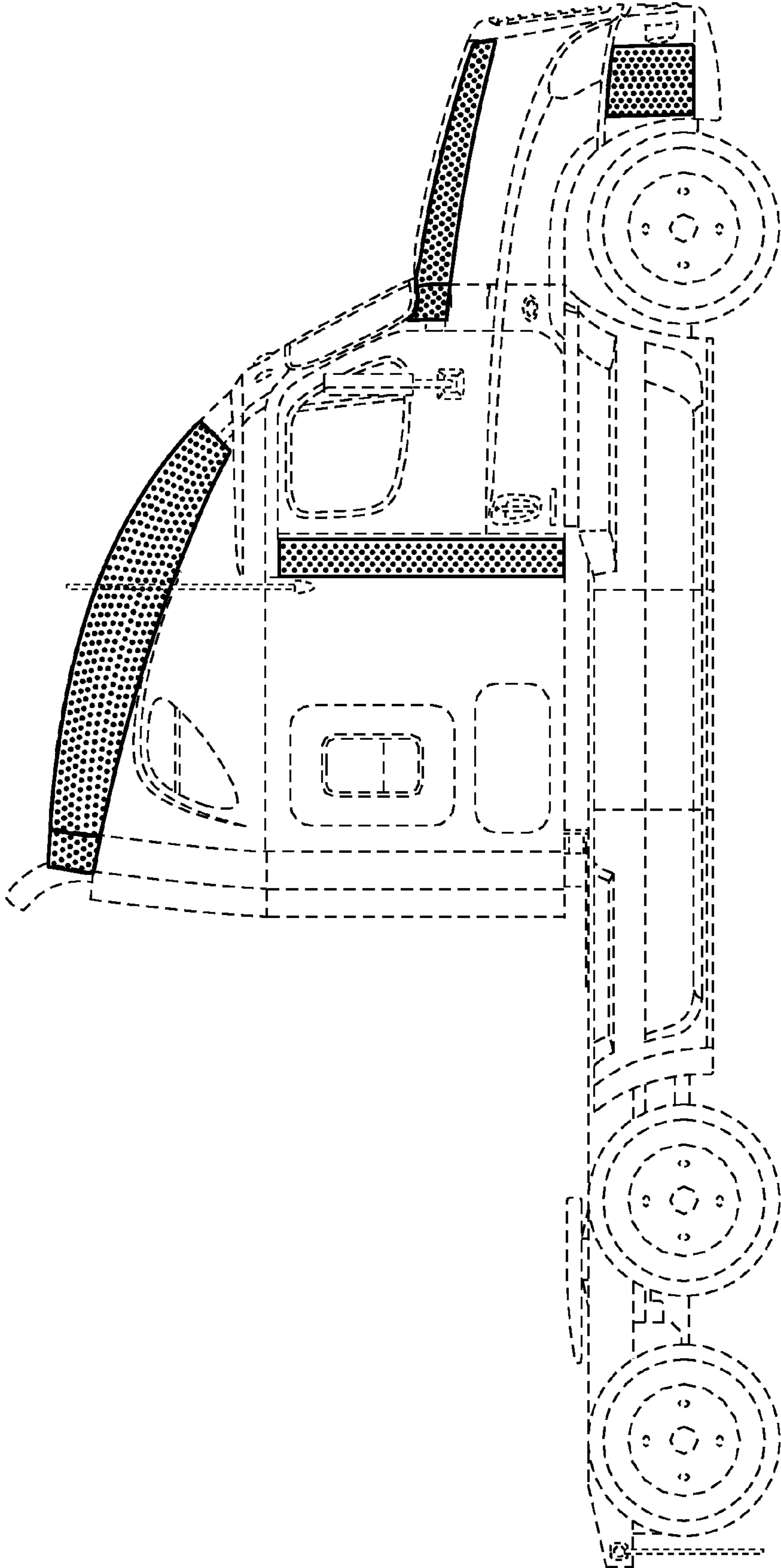


FIG. 3

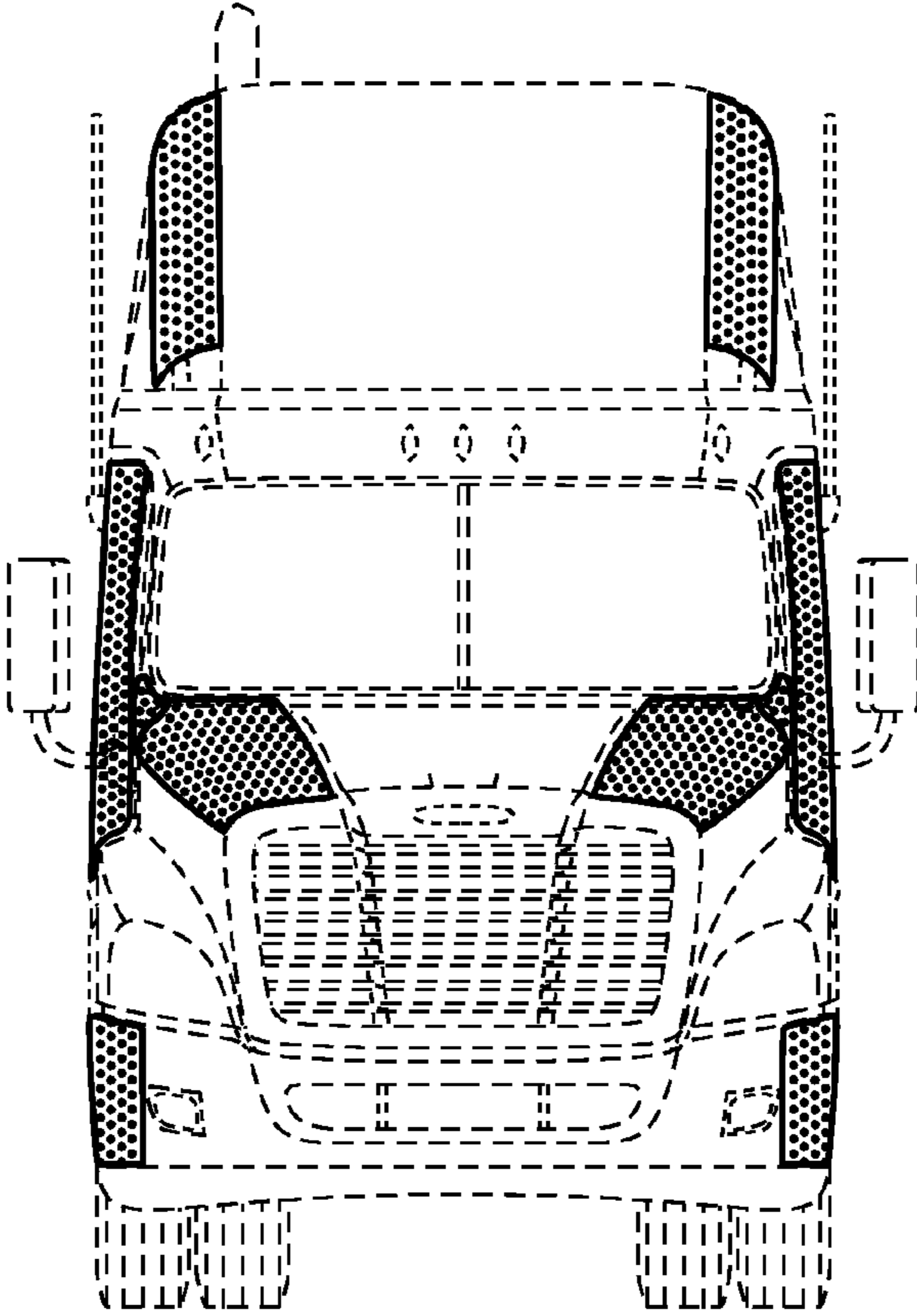


FIG. 4

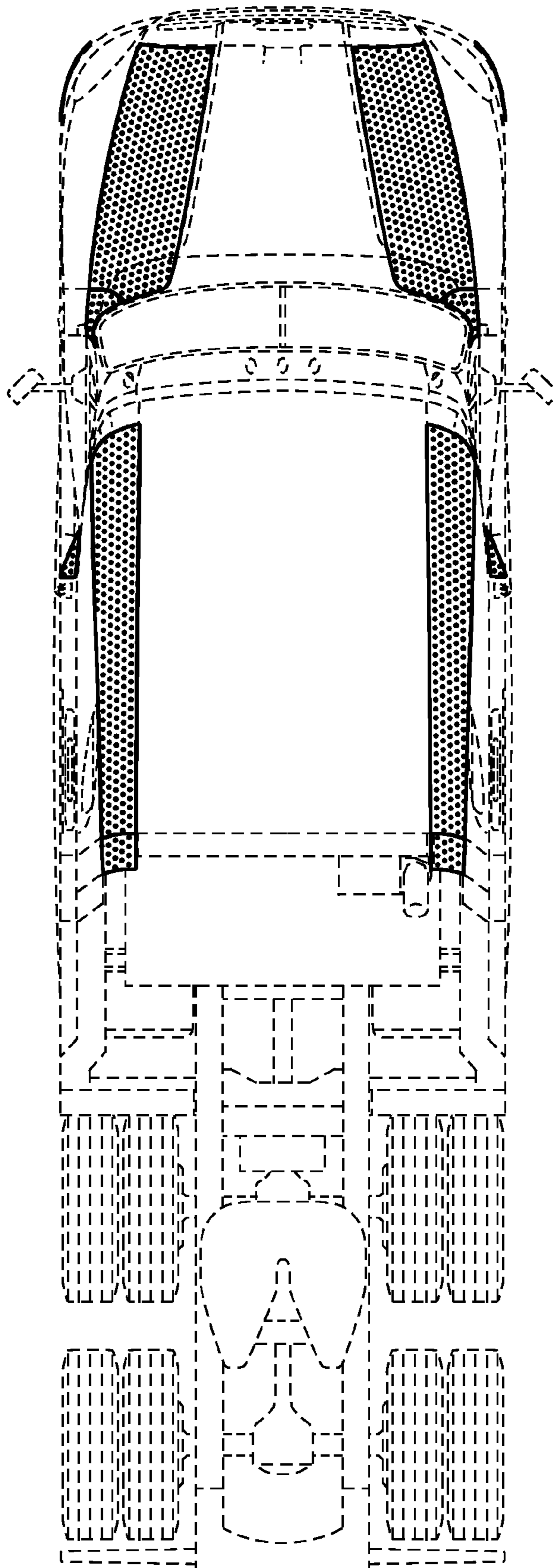


FIG. 5