



US00D677193S

(12) **United States Design Patent**
MacDonald

(10) **Patent No.:** **US D677,193 S**

(45) **Date of Patent:** **** Mar. 5, 2013**

(54) **MONEY CLIP**

Primary Examiner — Ralf Seifert

(76) Inventor: **Sumner MacDonald**, Bristol, RI (US)

(74) *Attorney, Agent, or Firm* — Robert J Doherty

(**) Term: **14 Years**

(57) **CLAIM**

(21) Appl. No.: **29/395,037**

The ornamental design for a money clip, as shown and described.

(22) Filed: **Nov. 16, 2011**

(51) **LOC (9) Cl.** **11-01**

(52) **U.S. Cl.** **D11/78.1**

(58) **Field of Classification Search** D11/78.1;
D20/22; D3/215, 247, 249; D8/395; 24/336,
24/326, 552

See application file for complete search history.

DESCRIPTION

FIG. 1 is a front perspective view of a money clip placed about folded currency and showing my new design; FIG. 2 is a front perspective view thereof; FIG. 3 is a front elevation view of FIG. 2; FIG. 4 is a rear elevation view of FIG. 2; FIG. 5 is a left side elevation view of FIG. 2; FIG. 6 is a right side elevation view of FIG. 2; FIG. 7 is a top plan view of FIG. 2; and, FIG. 8 is a bottom plan view of FIG. 2.

The broken line representations of folded currency in FIG. 1 and the rectangular inlay in FIGS. 1-3 are for illustrative purposes and form no part of the claimed design.

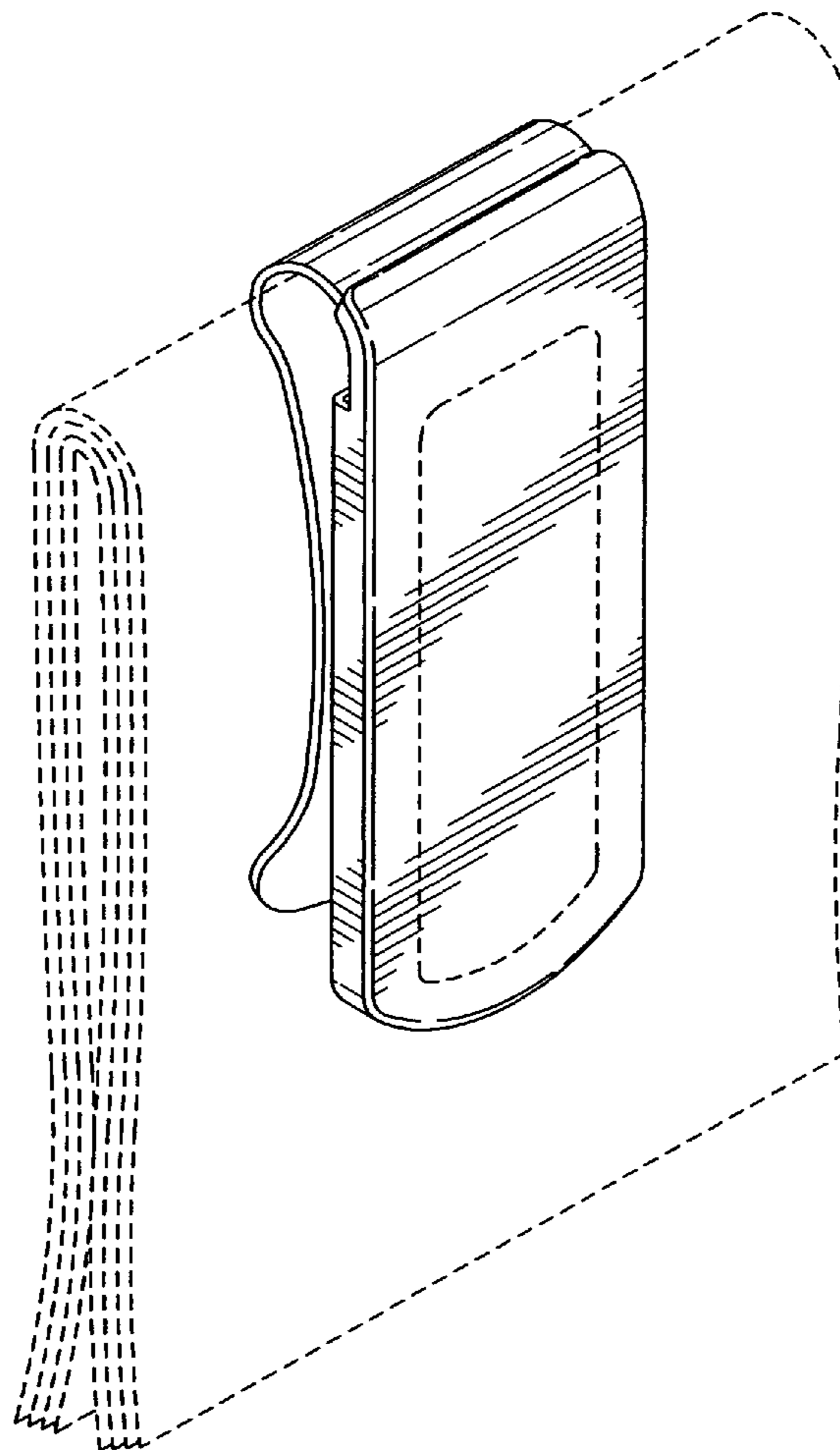
(56) **References Cited**

U.S. PATENT DOCUMENTS

D239,147 S *	3/1976	Karlsen	D11/215
D363,453 S *	10/1995	Herdt	D11/78.1
D400,466 S *	11/1998	Gleason	D11/78.1
D552,008 S *	10/2007	McGarity	D11/78.1
D592,987 S *	5/2009	McGarity et al.	D11/78.1

* cited by examiner

1 Claim, 6 Drawing Sheets



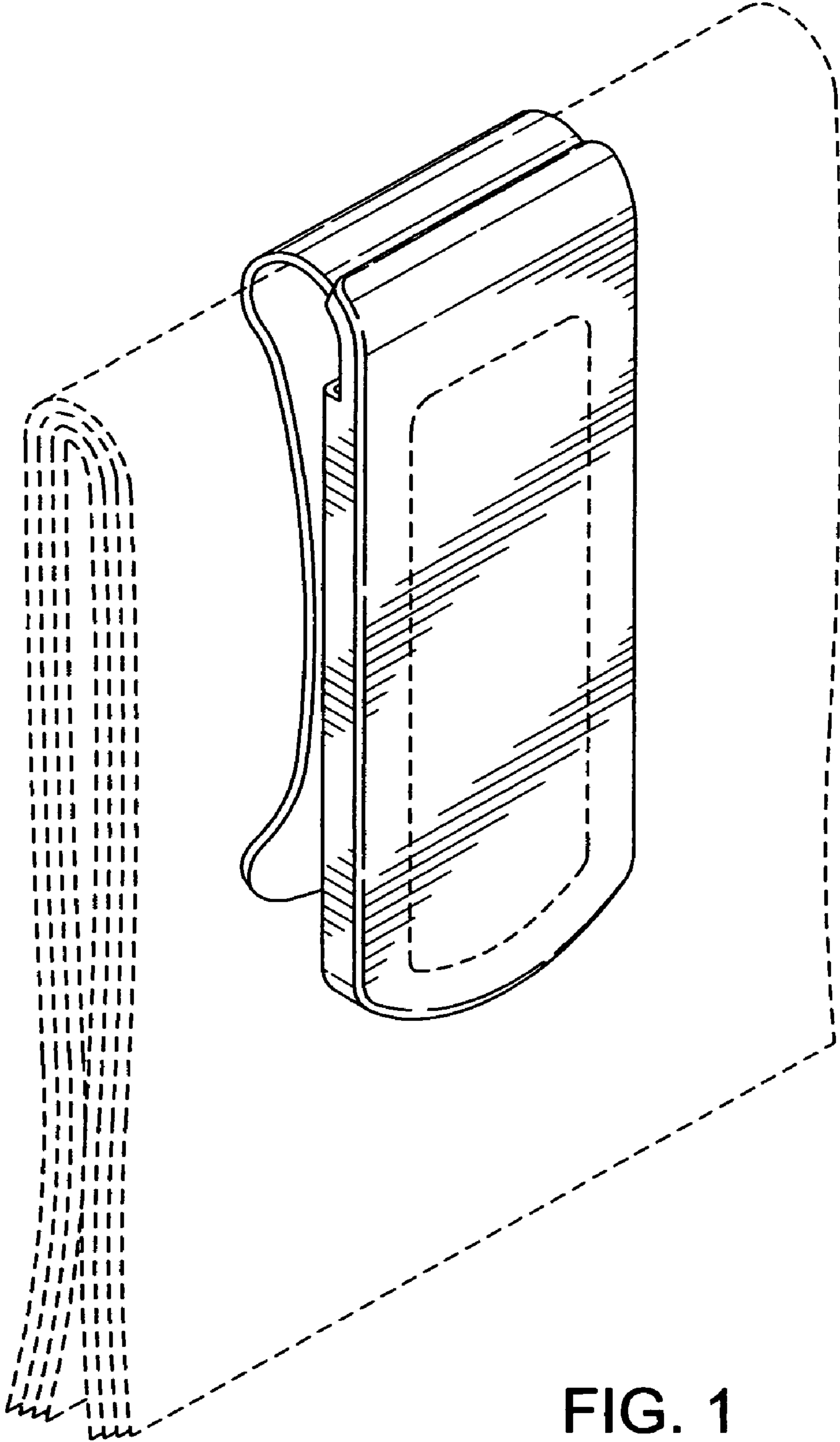


FIG. 1

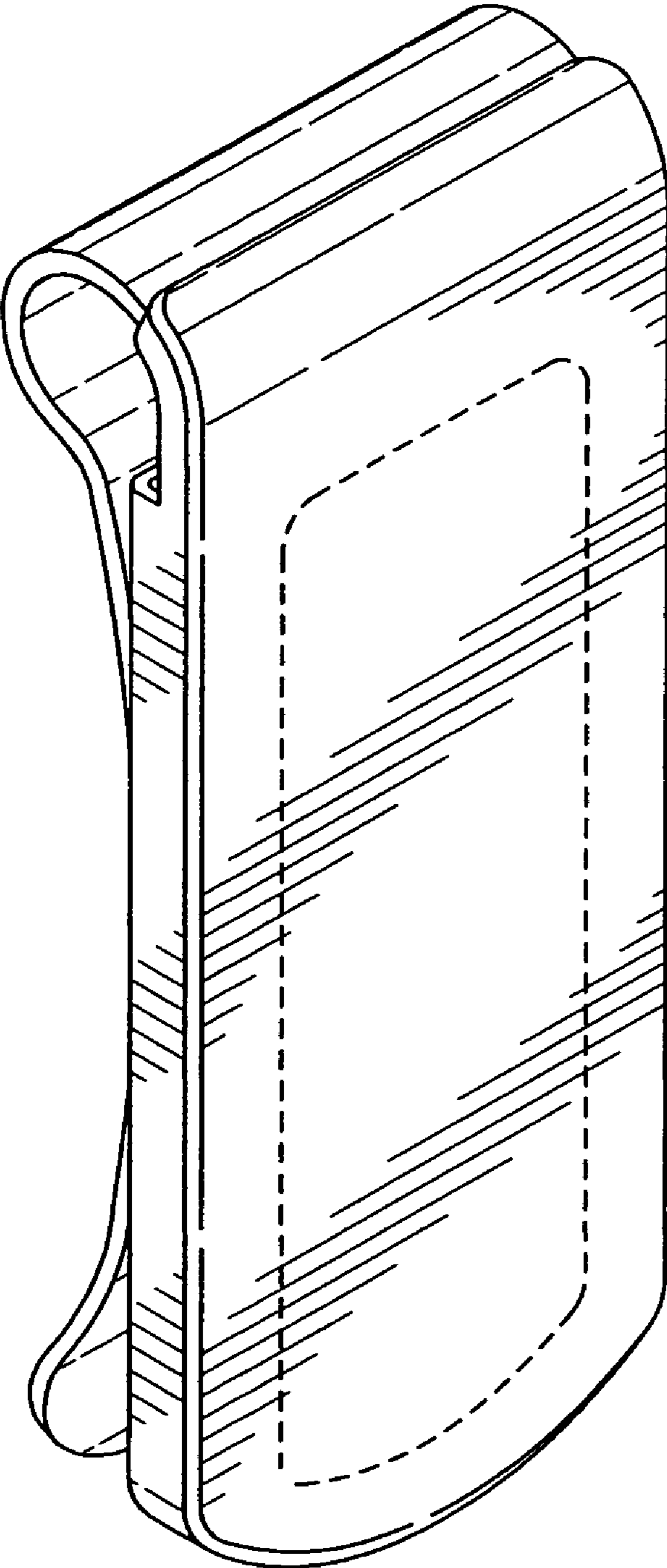


FIG. 2

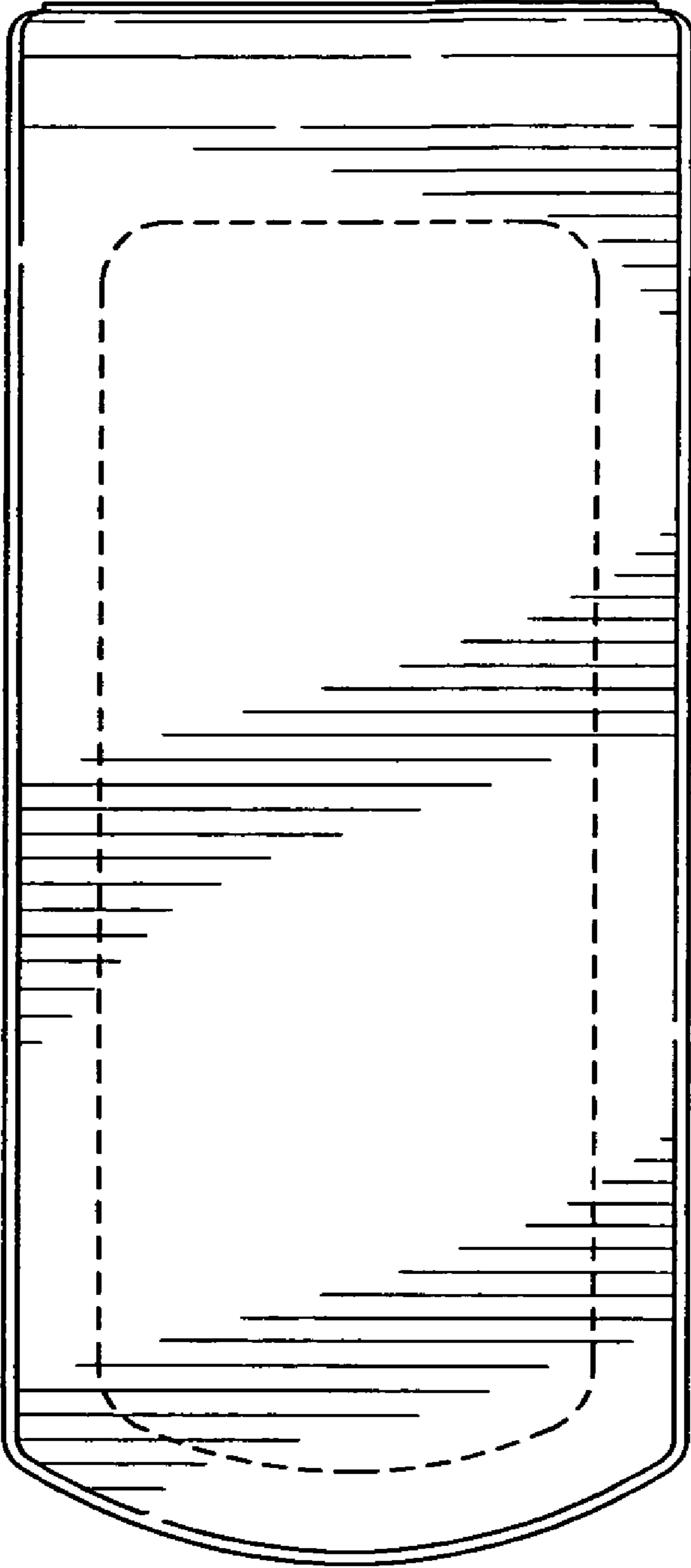


FIG. 3

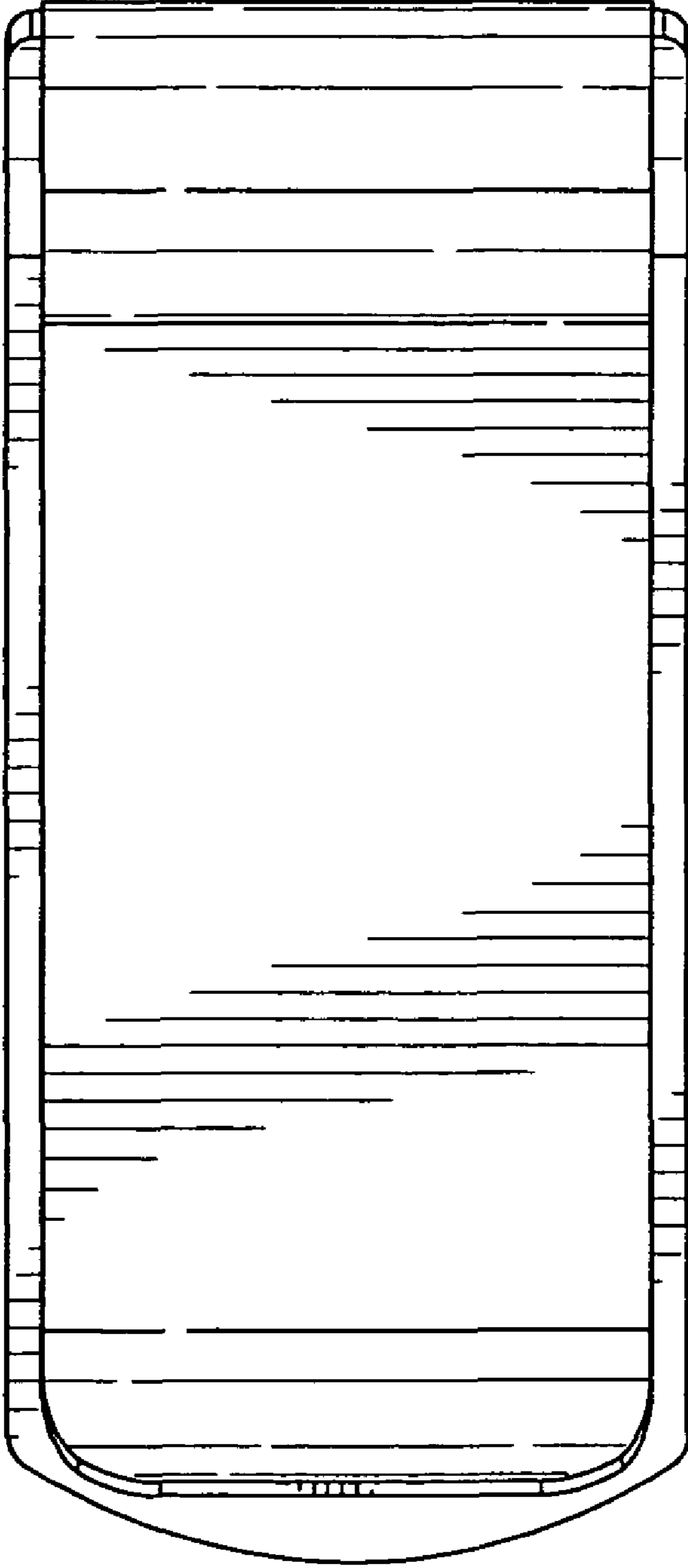


FIG. 4

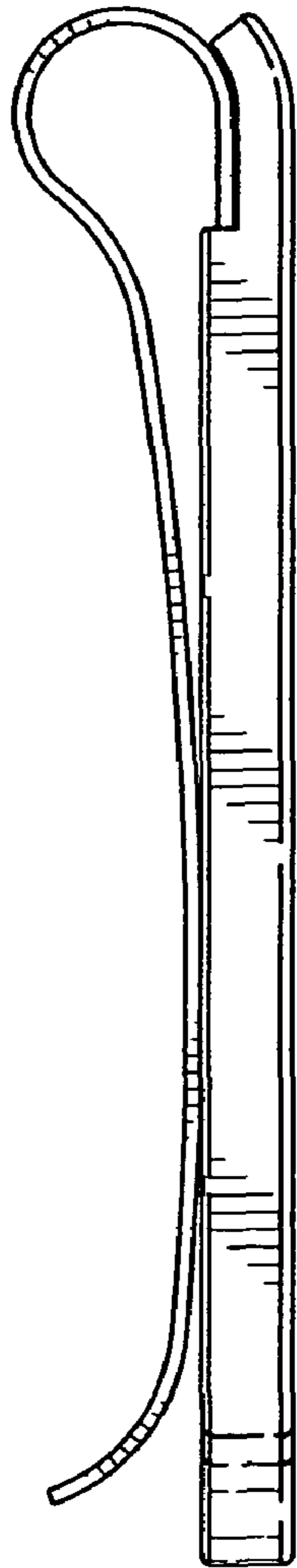


FIG. 5

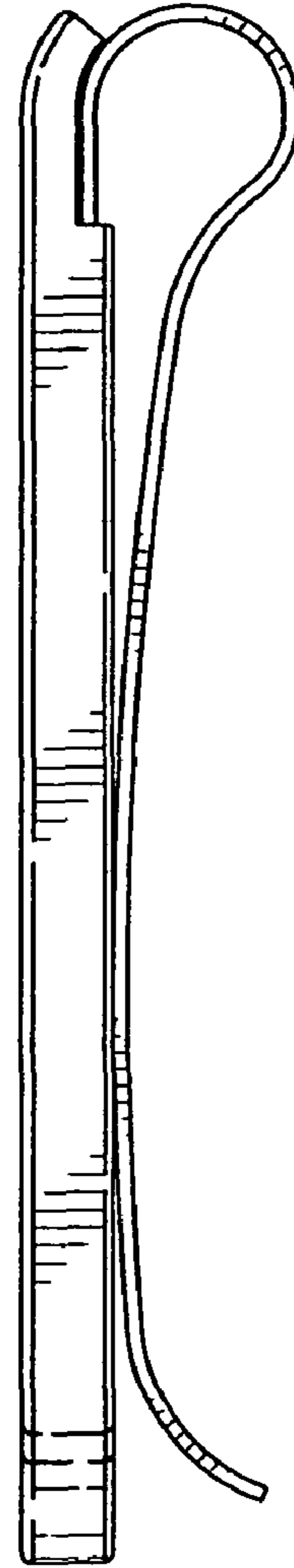


FIG. 6

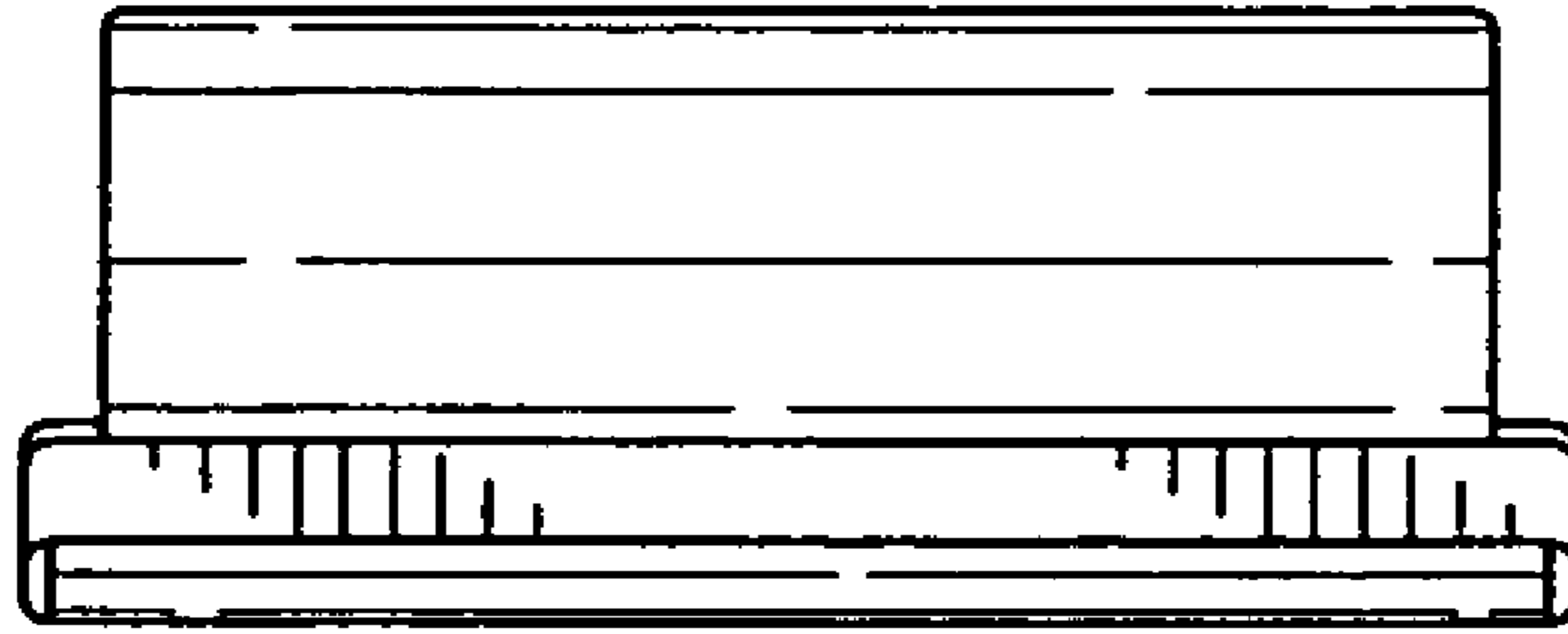


FIG. 7

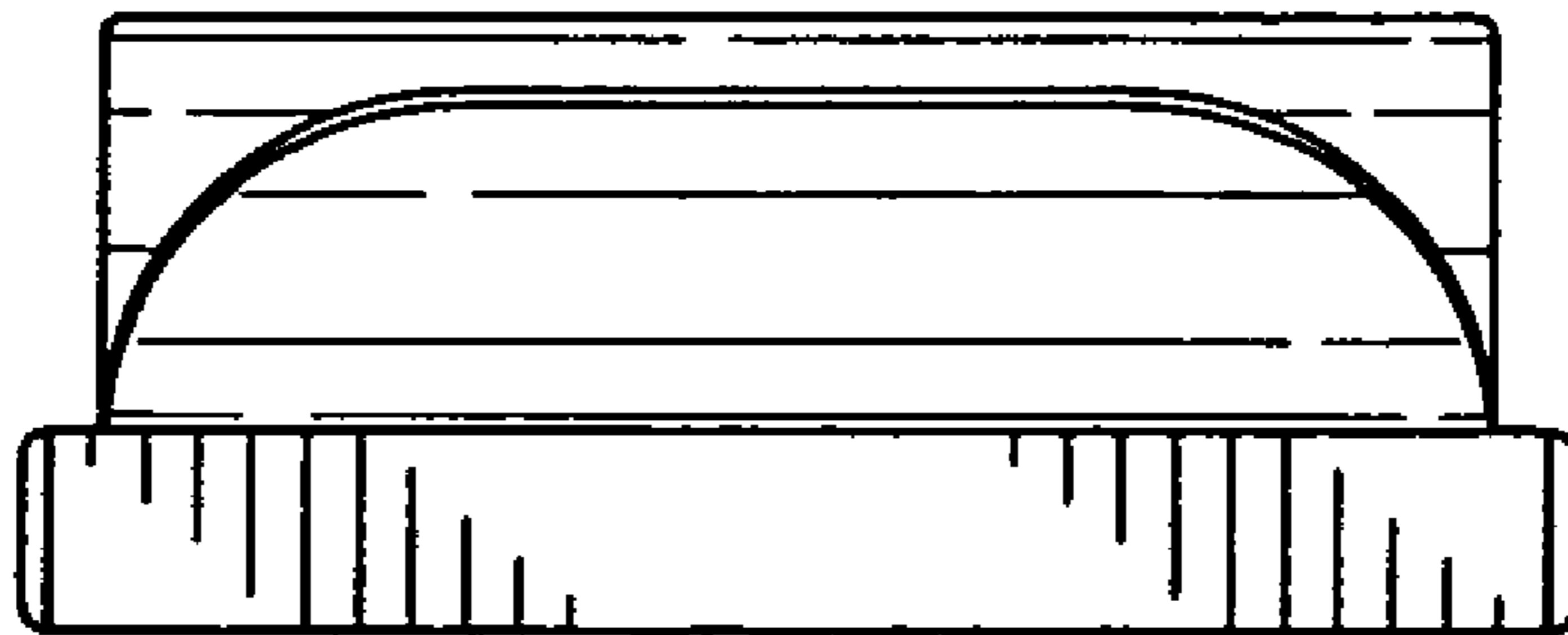


FIG. 8