



US00D677191S

(12) **United States Design Patent**
Benjamin

(10) **Patent No.:** **US D677,191 S**
(45) **Date of Patent:** **** Mar. 5, 2013**

(54) **BAND HAVING SPACED BULLET CARTRIDGE ELEMENTS**

(76) Inventor: **Adam Erwin Benjamin**, Cheyenne, WY (US)

(**) Term: **14 Years**

(21) Appl. No.: **29/373,686**

(22) Filed: **May 9, 2011**

(51) **LOC (9) Cl.** **11-01**

(52) **U.S. Cl.** **D11/4**

(58) **Field of Classification Search** D11/1-39,
D11/40, 79, 220; 63/12, 13, 1.11, 15, 15.1,
63/15.2, 15.3, 15.4, 15.45, 15.5, 15.6, 15.65,
63/15.7, 26, 27

See application file for complete search history.

(56) **References Cited**

U.S. PATENT DOCUMENTS

1,060,229	A *	4/1913	Caspar et al.	D11/6
1,383,104	A *	6/1921	Grossman	63/1.14
1,422,819	A *	7/1922	Blaicher	63/15
D82,091	S *	9/1930	Hill	D11/26
D91,928	S *	4/1934	Fasking	D11/38
D99,311	S *	4/1936	Sager	D11/38
D109,704	S *	5/1938	Dinhofer	D11/34
D254,300	S *	2/1980	Minassian	D11/28
D260,620	S *	9/1981	Blum	D11/3
D293,561	S *	1/1988	Bulgari	D11/3
D301,314	S *	5/1989	Shapiro	D11/75
D359,926	S *	7/1995	Plummer	D11/4
D394,411	S *	5/1998	Gozlan	D11/4
D406,246	S *	3/1999	Bulgari	D11/26
D463,307	S *	9/2002	Charriol	D11/3
D470,429	S *	2/2003	Bonnet	D11/3
D473,155	S *	4/2003	Bonnet	D11/26
D489,637	S *	5/2004	Zavilenski	D11/40
D540,709	S *	4/2007	Daas	D11/16
D541,692	S *	5/2007	Daas	D11/16
D542,689	S *	5/2007	Daas	D11/16
D543,127	S *	5/2007	Daas	D11/16
D618,128	S *	6/2010	Clark et al.	D11/3

OTHER PUBLICATIONS

Etsy. 12 Gauge Leather Dog Collar. On-line catalog, <http://www.etsy.com>, originally downloaded Oct. 11, 2011, 2 total pages.

PFI Western Store. 3D Camo Shotgun Shell Dog Collars. On-line catalog, <http://www.pfiwestern.com>, originally downloaded Oct. 11, 2011, 2 total pages.

Bonanza. Twelve Gauge Shotgun Shell Dog Collar. On-line catalog, <http://www.bonanza.com>, originally downloaded Oct. 11, 2011, 3 total pages.

Nextag. Item List—Gauge Shotgun—Dog Collars & Tags. On-line catalog, <http://www.nextag.com>, originally downloaded Oct. 11, 2011, 4 total pages.

* cited by examiner

Primary Examiner — Cathron Brooks

Assistant Examiner — Melanie Pellegrini

(74) *Attorney, Agent, or Firm* — Craig R. Miles; CR Miles, P.C.

(57) **CLAIM**

The ornamental design for a band having spaced bullet cartridge elements, as shown and described.

DESCRIPTION

FIG. 1 is a perspective view of the band showing the left frontal view of my new design;

FIG. 2 is a front elevation view thereof showing the anterior side;

FIG. 3 is a rear elevation view thereof showing the posterior side;

FIG. 4 is a side elevation view thereof showing the right side;

FIG. 5 is a side elevation view thereof showing the left side;

FIG. 6 is a top plan view thereof; and,

FIG. 7 is a bottom plan view thereof.

The broken lines shown in the drawings illustrate portions of the band having spaced bullet cartridge elements and form no part of the claimed design.

1 Claim, 5 Drawing Sheets

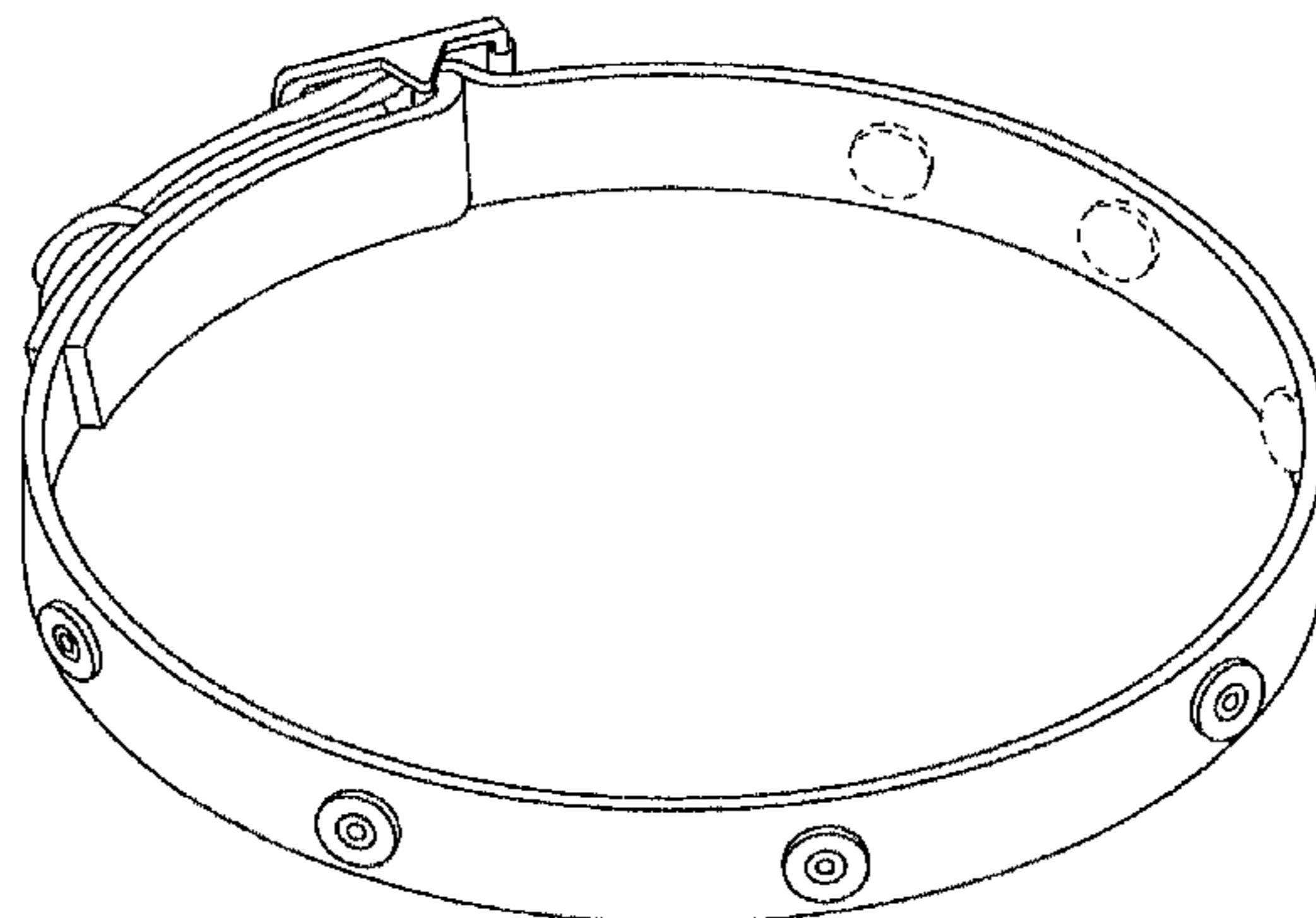


FIG. 1

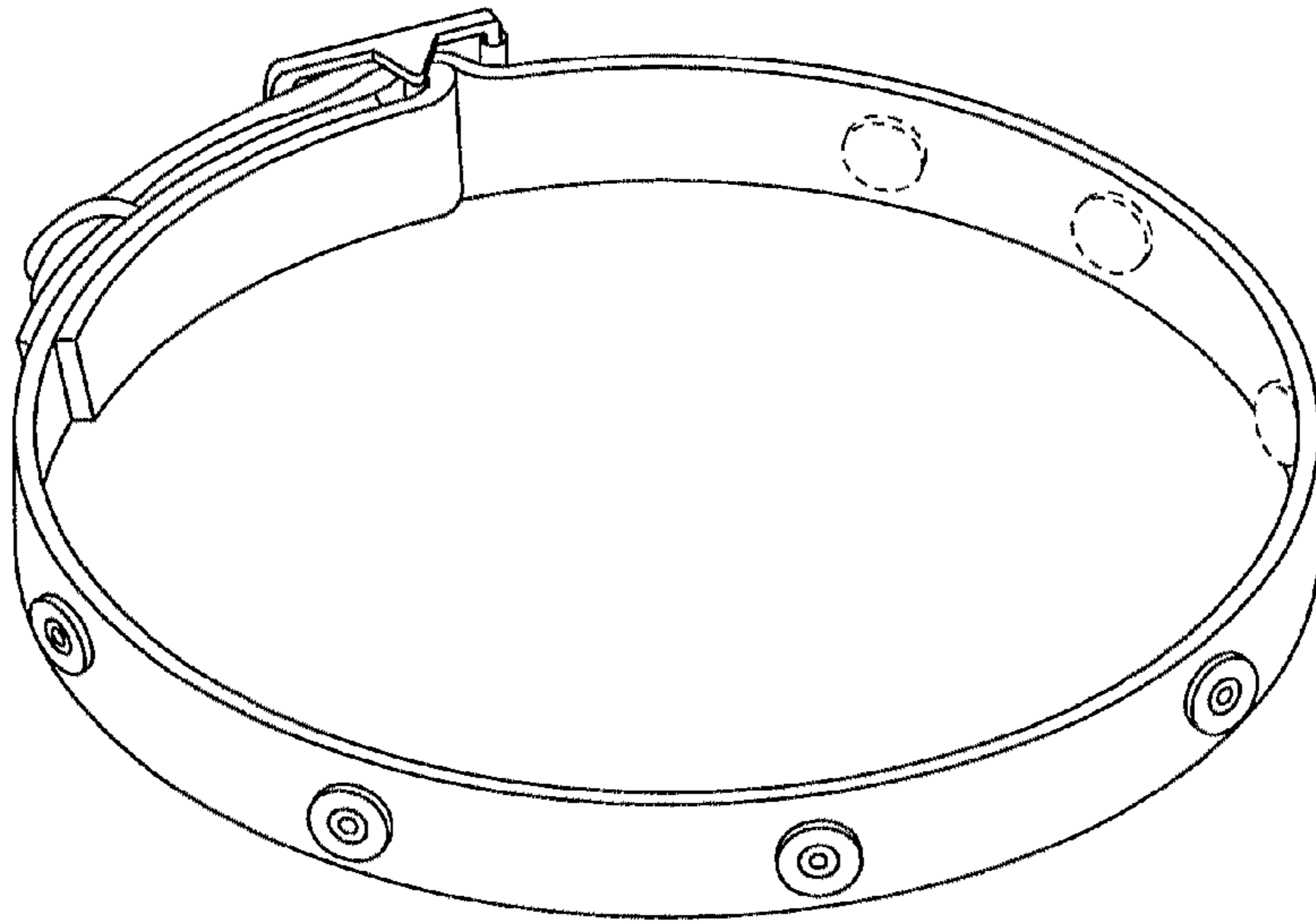


FIG. 2

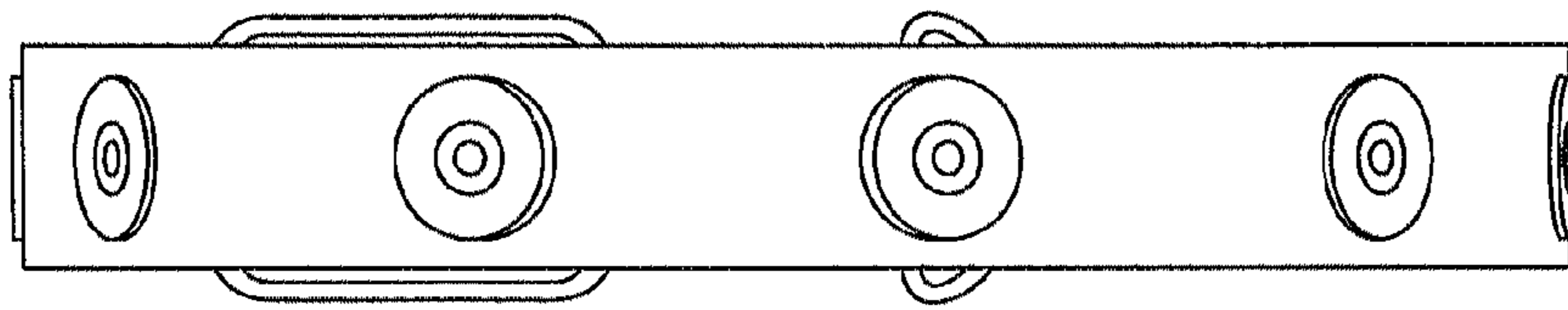


FIG. 3

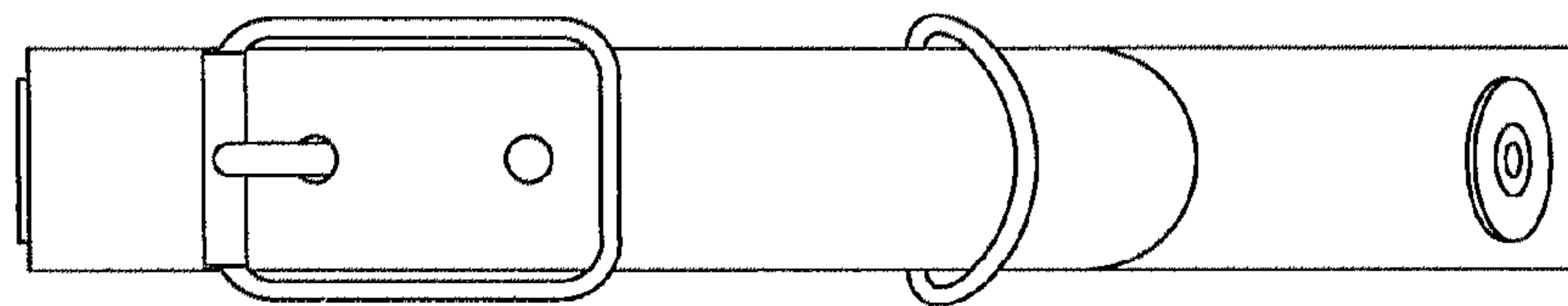


FIG. 4

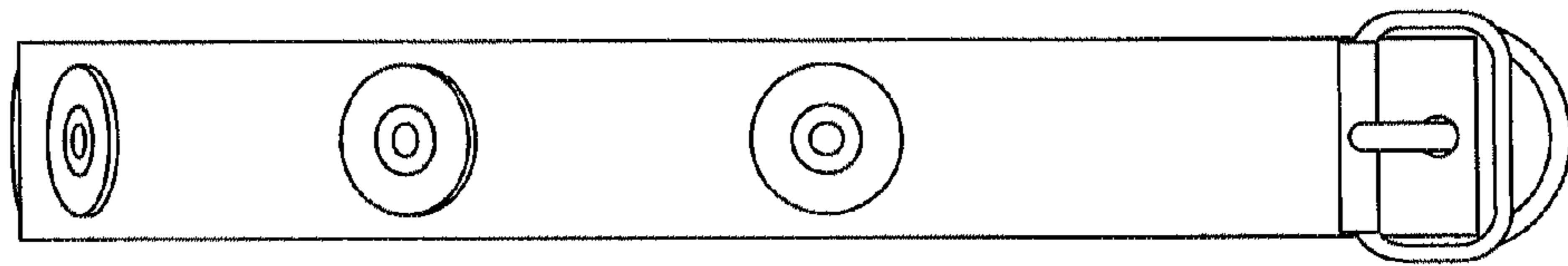


FIG. 5

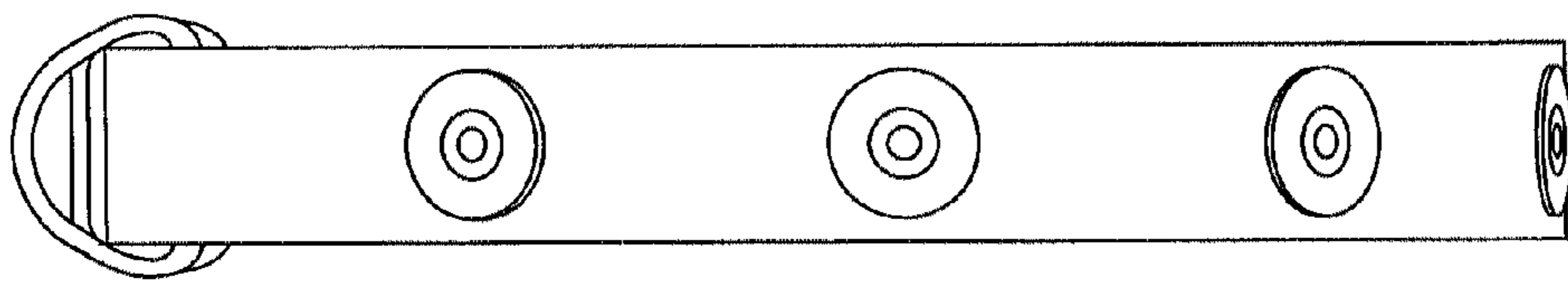


FIG. 6

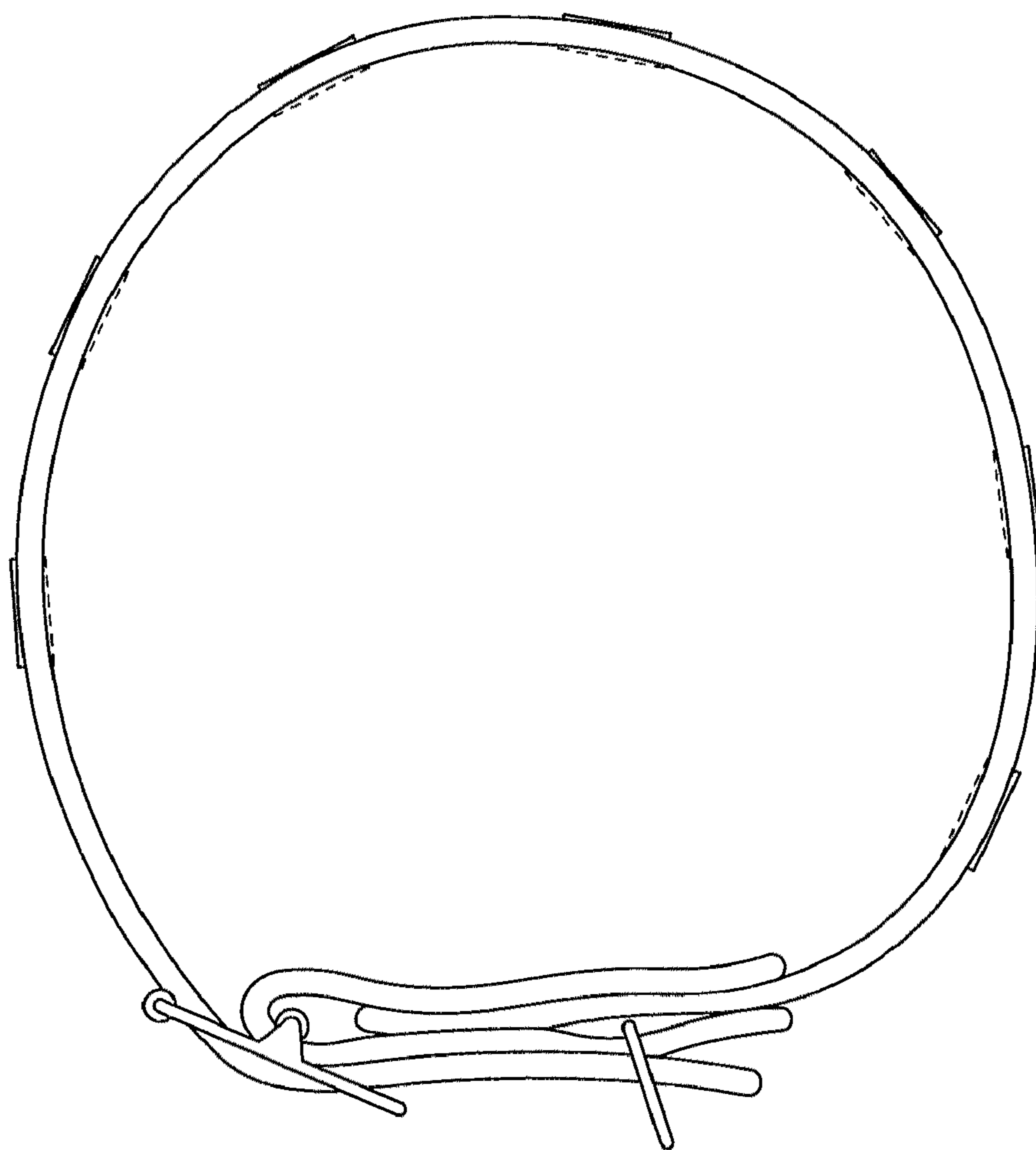


FIG. 7

