



US00D677190S

(12) **United States Design Patent**
Cobbett et al.

(10) **Patent No.:** **US D677,190 S**
(45) **Date of Patent:** **** Mar. 5, 2013**

(54) **WRISTBAND WITH ILLUMINATED PORTION**

(75) Inventors: **Jamian R. Cobbett**, Portland, OR (US);
Anh Nguyen, San Mateo, CA (US);
Andrew Roberts, San Francisco, CA (US);
Steve Jarvis, Portland, OR (US)

(73) Assignee: **NIKE, Inc.**, Beaverton, OR (US)

(**) Term: **14 Years**

(21) Appl. No.: **29/419,619**

(22) Filed: **Apr. 30, 2012**

(51) **LOC (9) Cl.** **11-01**

(52) **U.S. Cl.** **D11/3**

(58) **Field of Classification Search** D11/1-39;
63/3, 3.1, 3.2, 5, 15.1-15.4, 15.45, 15.5,
63/15.6, 15.65, 15.7, 26-28; D10/30, 31,
D10/32; D13/180; D26/2, 85, 118, 120,
D26/128

See application file for complete search history.

(56) **References Cited**

U.S. PATENT DOCUMENTS

D263,869	S	*	4/1982	Sumiyasu	D24/211
5,218,577	A	*	6/1993	Seager	368/10
D353,781	S		12/1994	Braisted		
5,418,760	A	*	5/1995	Kawashima et al.	368/69
D402,645	S		12/1998	Garguilo		
6,775,205	B1	*	8/2004	Sporn	368/10
D495,611	S		9/2004	Jorgensen		
D511,309	S	*	11/2005	Hardy	D11/26
D539,670	S		4/2007	Behling		
D545,232	S	*	6/2007	Waldman	D10/125
D548,128	S		8/2007	Andren et al.		
D550,112	S		9/2007	Andren et al.		
D554,004	S	*	10/2007	Kraft	D10/38
D562,175	S	*	2/2008	Miller	D11/35
D565,427	S	*	4/2008	Ellner et al.	D10/31

D580,277	S		11/2008	Brady et al.		
D603,741	S		11/2009	Waldman		
D608,236	S	*	1/2010	Akdemir	D11/26
D611,357	S		3/2010	Giroud		
D633,085	S		2/2011	Chiu		
8,028,413	B2	*	10/2011	Miller	63/15
2008/0236195	A1	*	10/2008	Woebke	63/1.14

OTHER PUBLICATIONS

The Retsu by Saishin, 1 color page included, disclosure date unknown but prior to filing date of the instant application.

Various LED watches, 32 color pages included, disclosure date unknown but prior to filing date of the instant application.

* cited by examiner

Primary Examiner — Jennifer Rivard

Assistant Examiner — Melanie Pellegrini

(74) *Attorney, Agent, or Firm* — Banner & Witcoff, Ltd.

(57) **CLAIM**

The ornamental design for a wristband with illuminated portion, as shown and described.

DESCRIPTION

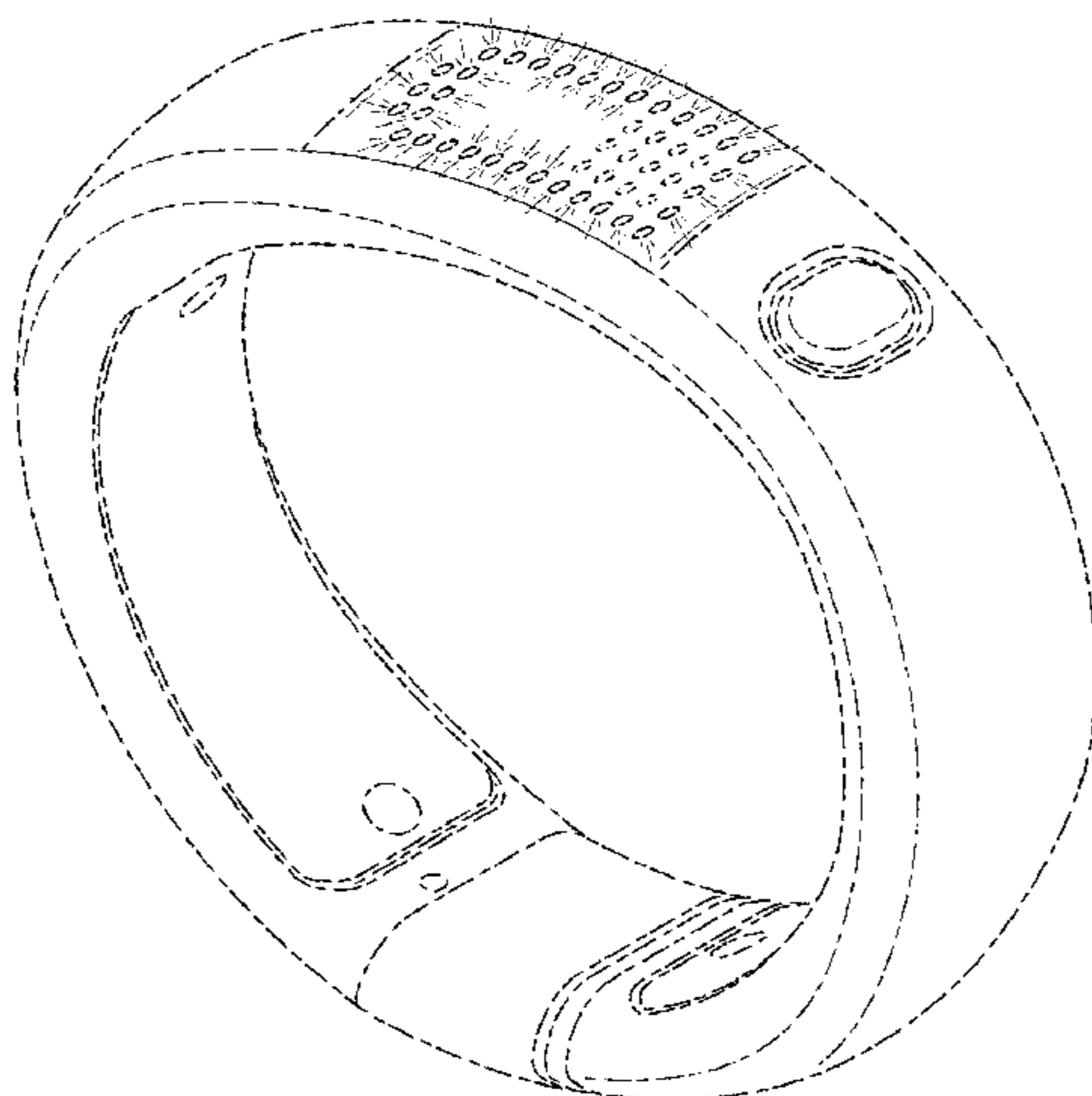
FIG. 1 is a front perspective view of a wristband with illuminated portion showing our new design.

FIG. 2 is a front view thereof.

FIG. 3 is a front perspective view of the wristband of FIGS. 1-2 depicted without radiating lines for clarity; and, FIG. 4 is a front view thereof.

The broken lines immediately adjacent to the shaded area represent unclaimed boundaries of the design. The twelve unshaded circular regions within claimed area, demarcated by broken lines, form no part of the claimed design. The broken lines showing the remainder of the wristband are for environmental purposes only and form no part of the claimed design. The circular regions in the claimed area with radiating lines represent an illuminated portion.

1 Claim, 2 Drawing Sheets



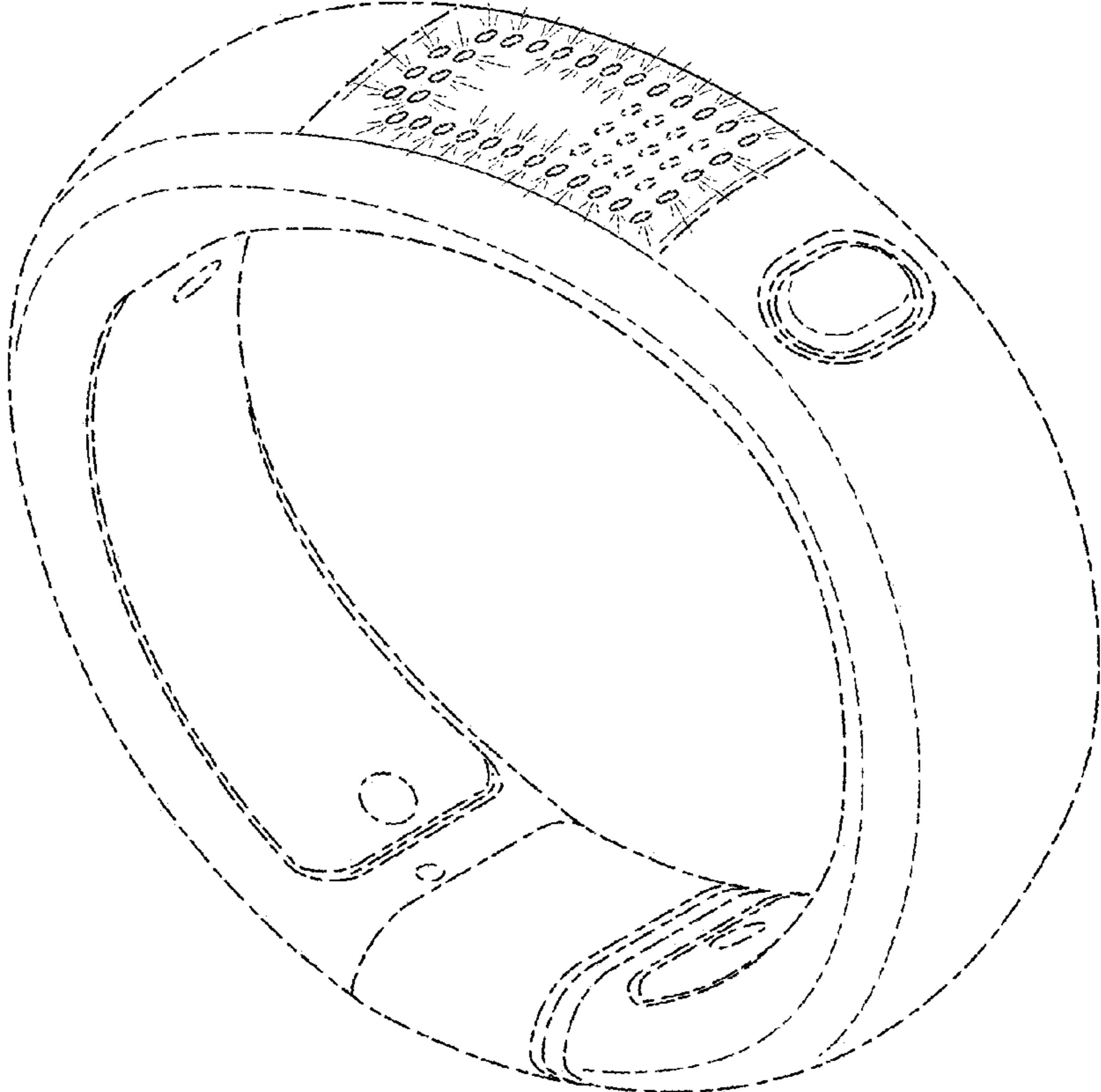


FIG. 1

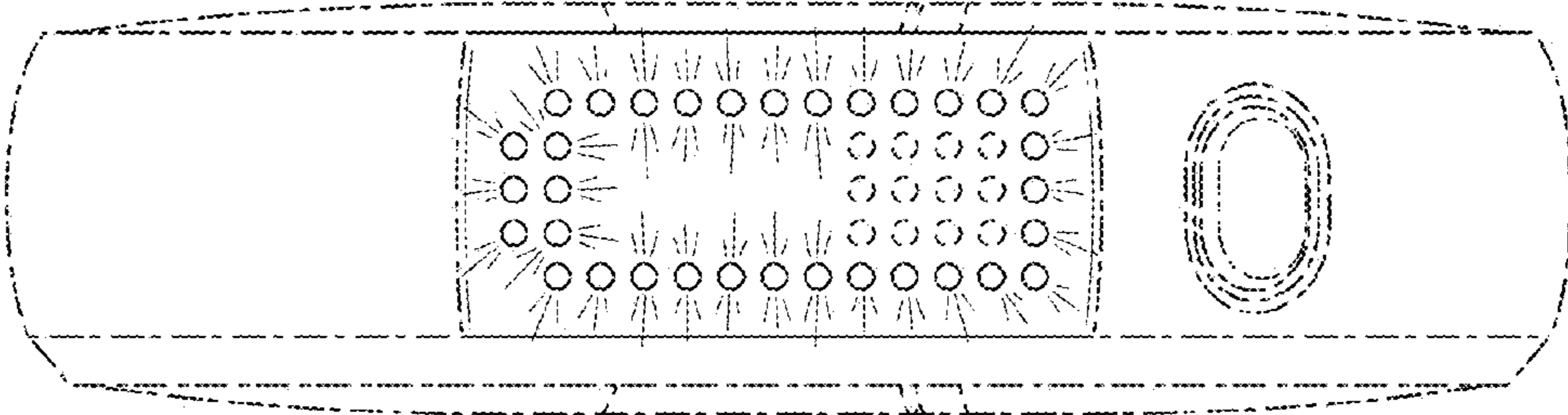


FIG. 2

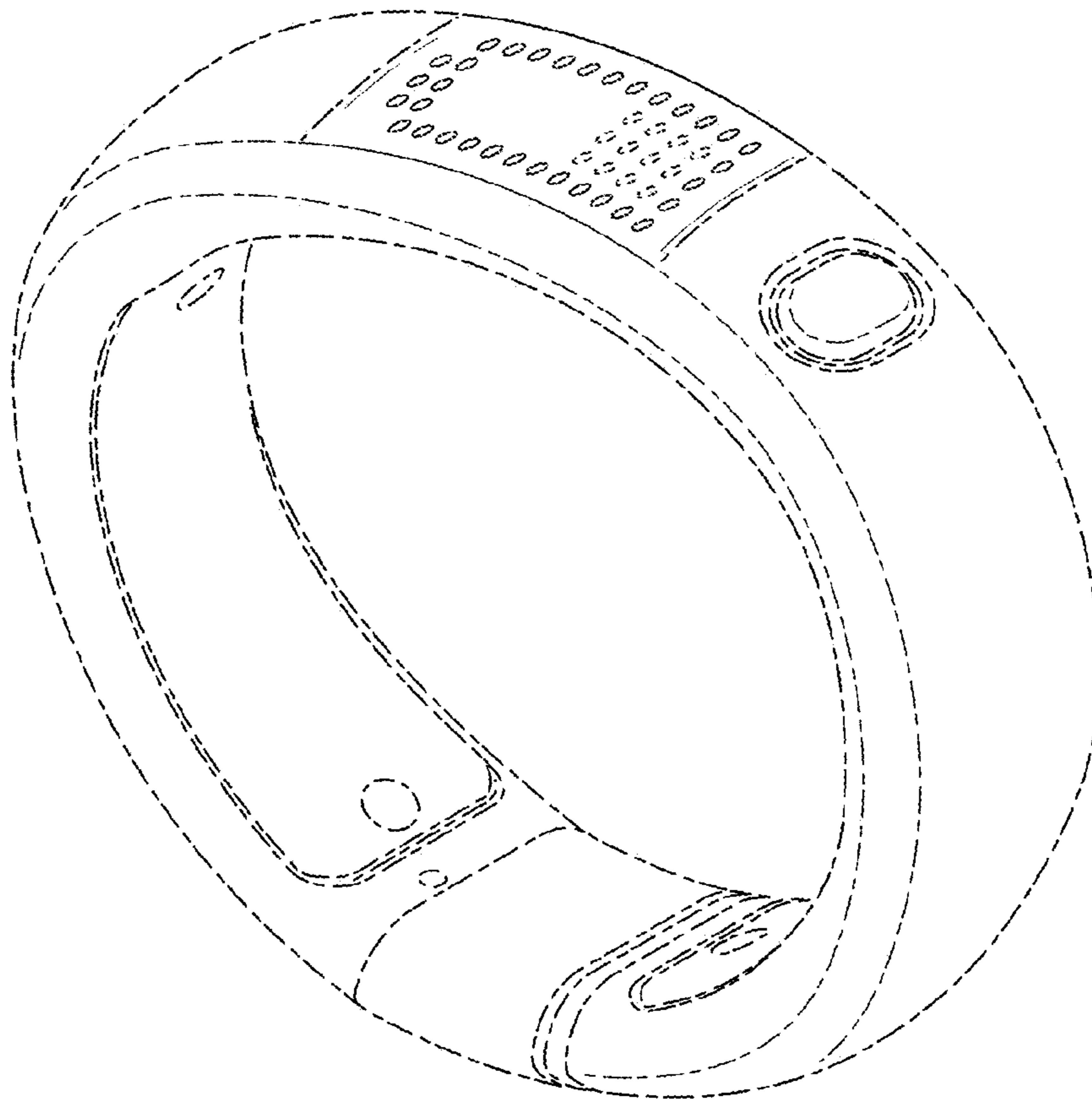


FIG. 3

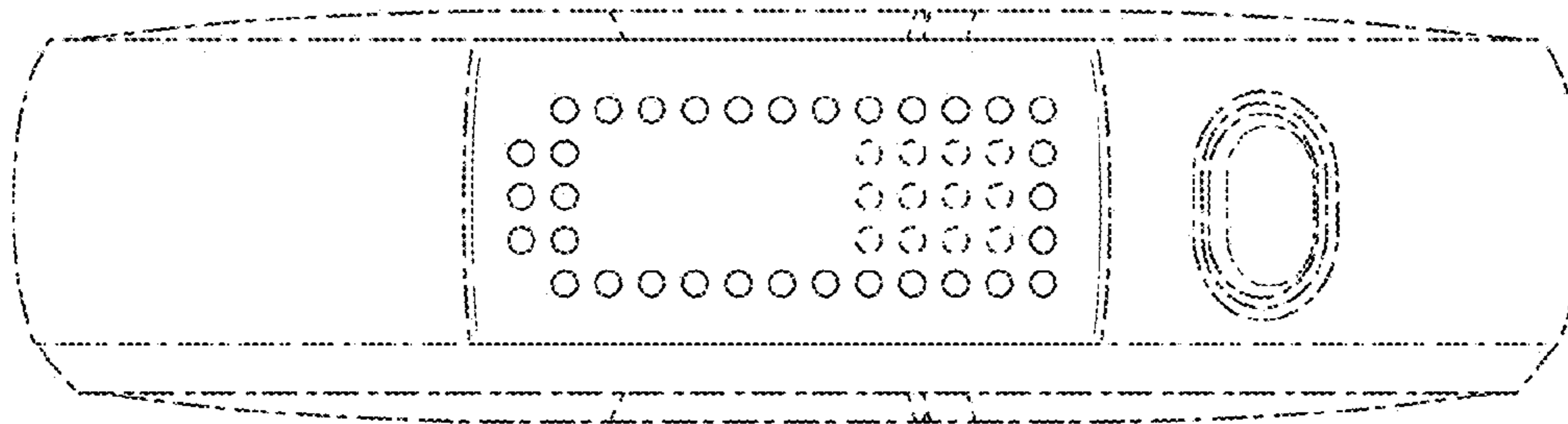


FIG. 4