



US00D677185S

(12) **United States Design Patent**
Zhou et al.

(10) **Patent No.:** **US D677,185 S**
(45) **Date of Patent:** **** Mar. 5, 2013**

(54) **HANDHELD RAMAN SPECTROMETER**

(75) Inventors: **Xin Jack Zhou**, Hockessin (DE);
Daoguo Jiang, Shanghai (CN); **Jun Xu**,
Shanghai (CN); **Yuejin Xu**, Shanghai
(CN); **Sean Xiaolu Wang**, Wilmington
(DE)

(73) Assignee: **BWT Property, Inc.**, Newark, DE (US)

(**) Term: **14 Years**

(21) Appl. No.: **29/408,648**

(22) Filed: **Dec. 15, 2011**

(51) **LOC (9) Cl.** **10-04**

(52) **U.S. Cl.** **D10/81; D10/78**

(58) **Field of Classification Search** D10/78,
D10/81; 356/326, 328, 402, 405-407; 364/326,
364/498; 435/287.1

See application file for complete search history.

(56) **References Cited**

U.S. PATENT DOCUMENTS

D338,417 S * 8/1993 Van Aken et al. D10/81

D402,572 S * 12/1998 Han D10/78
7,505,128 B2 * 3/2009 Zribi et al. 356/301
7,651,851 B2 * 1/2010 Clarke et al. 435/287.1

* cited by examiner

Primary Examiner — Antoine D Davis

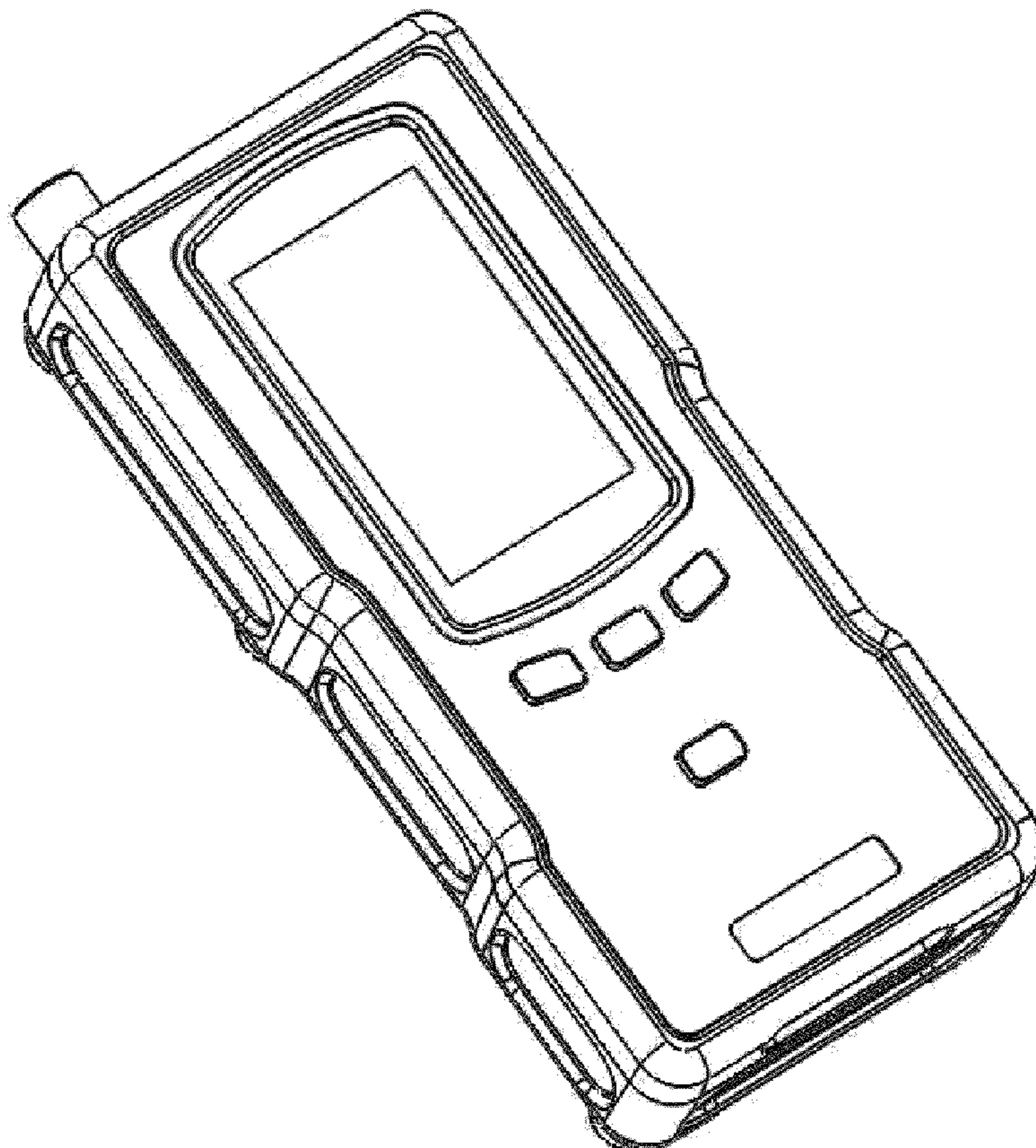
(57) **CLAIM**

The ornamental design for a handheld Raman spectrometer,
as shown and described.

DESCRIPTION

FIG. 1 is a perspective view of a handheld Raman spectrom-
eter in accordance with the present design;
FIG. 2 is a front view for the handheld Raman spectrometer
shown in FIG. 1,
FIG. 3 is a rear view for the handheld Raman spectrometer
shown in FIG. 1;
FIG. 4 is a left side view for the handheld Raman spectrom-
eter shown in FIG. 1;
FIG. 5 is a right side view for the handheld Raman spectrom-
eter shown in FIG. 1;
FIG. 6 is a bottom view for the handheld Raman spectrometer
shown in FIG. 1; and,
FIG. 7 is a top view for the handheld Raman spectrometer
shown in FIG. 1.

1 Claim, 2 Drawing Sheets



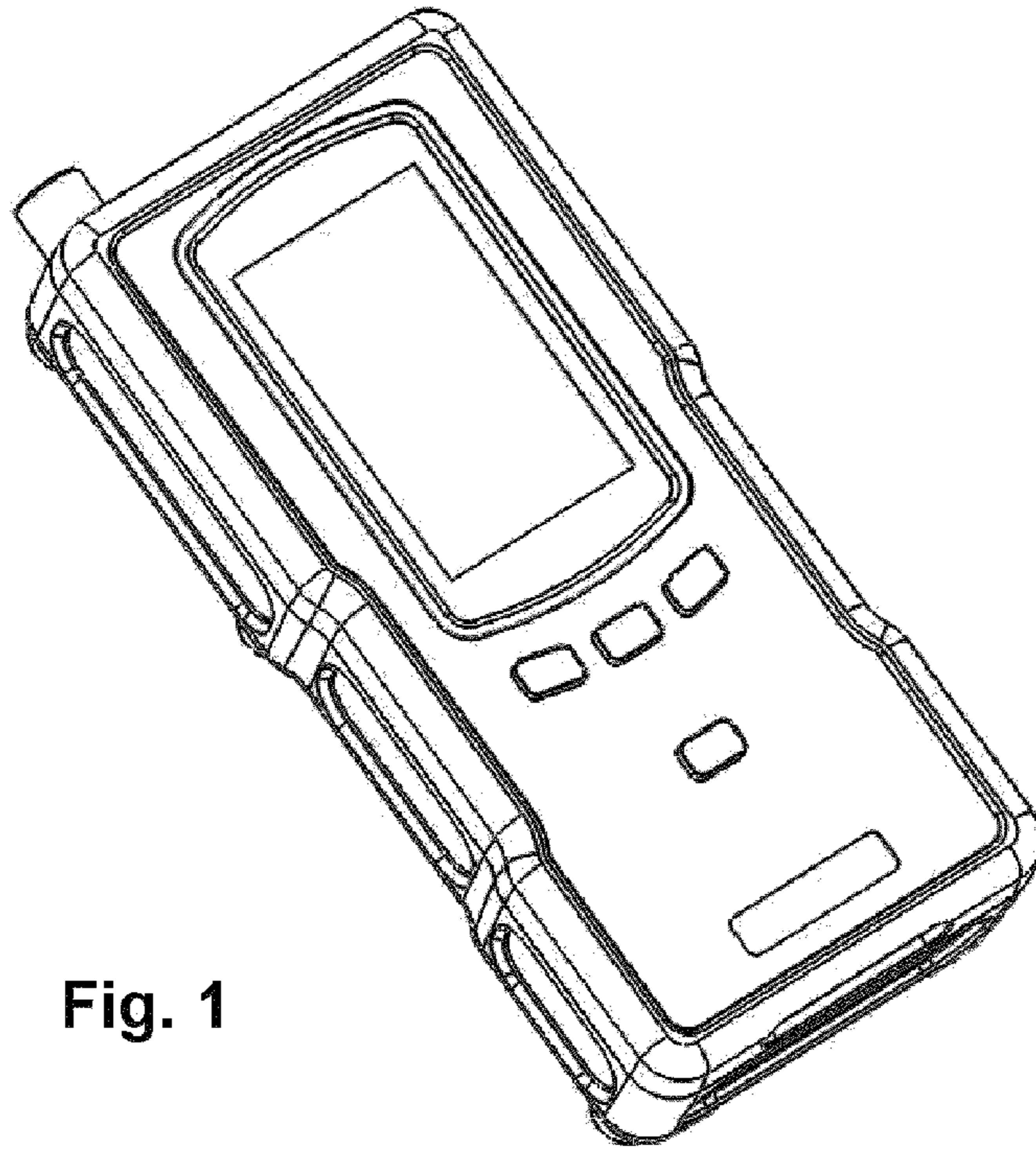


Fig. 1

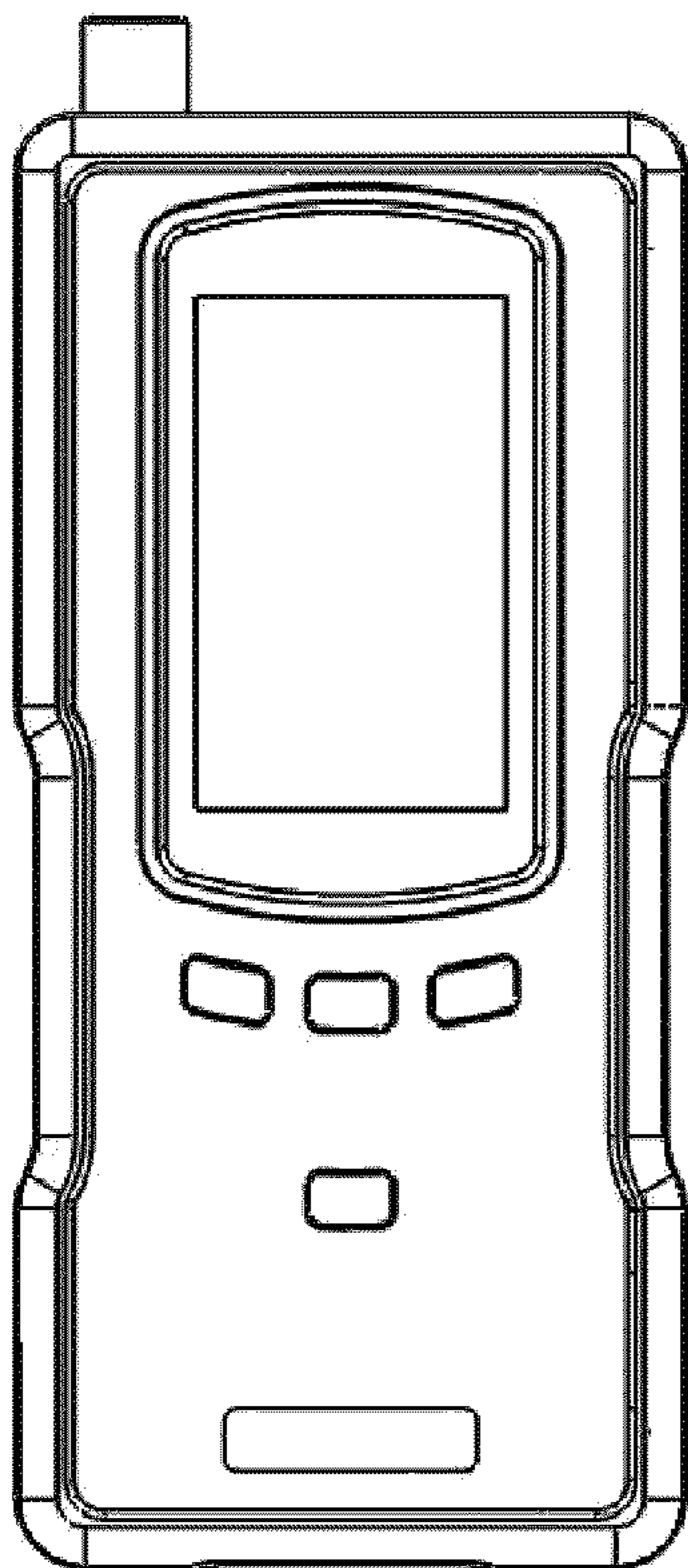


Fig. 2

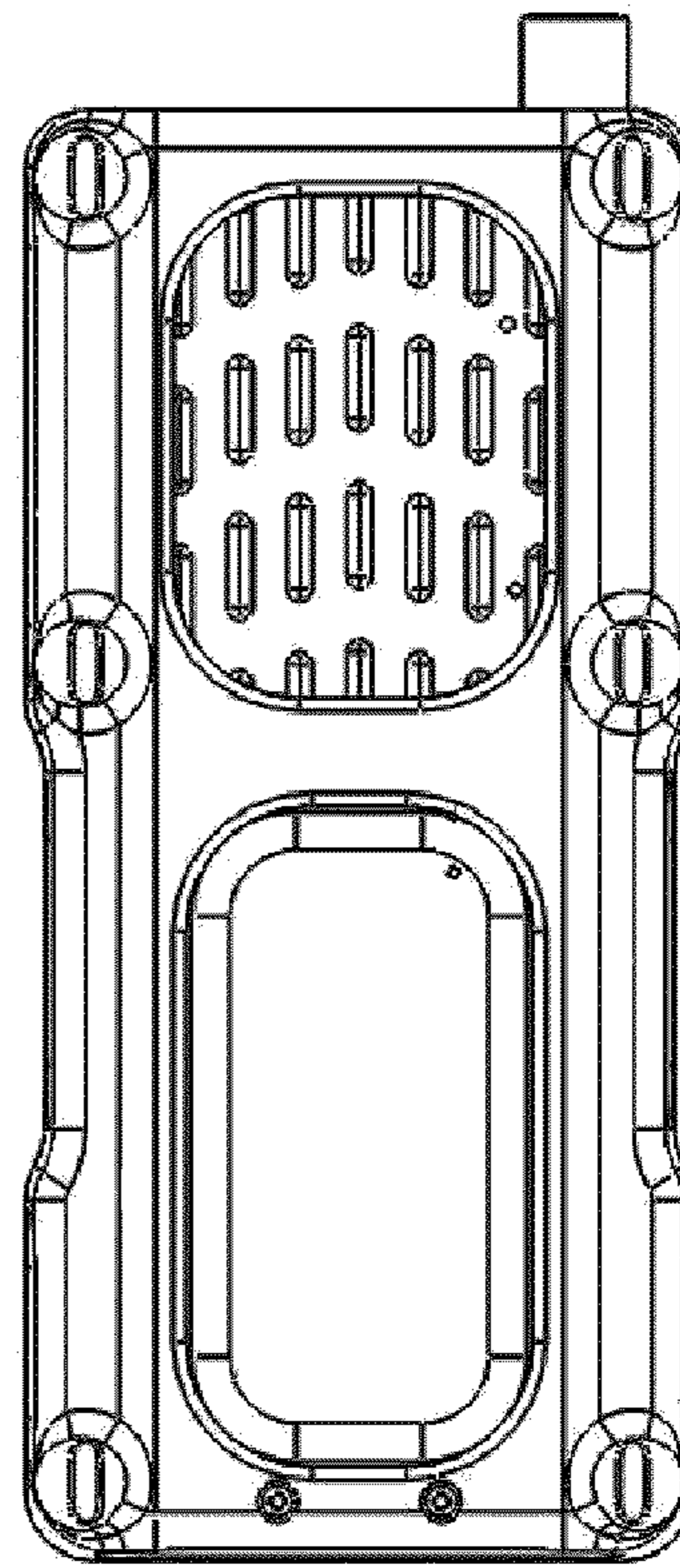


Fig. 3

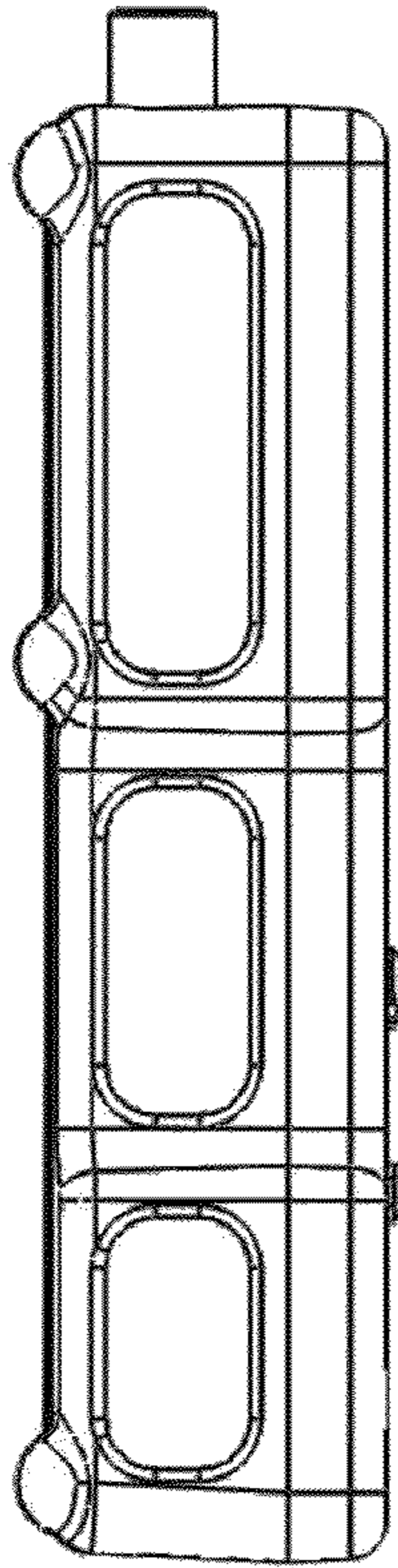


Fig. 4

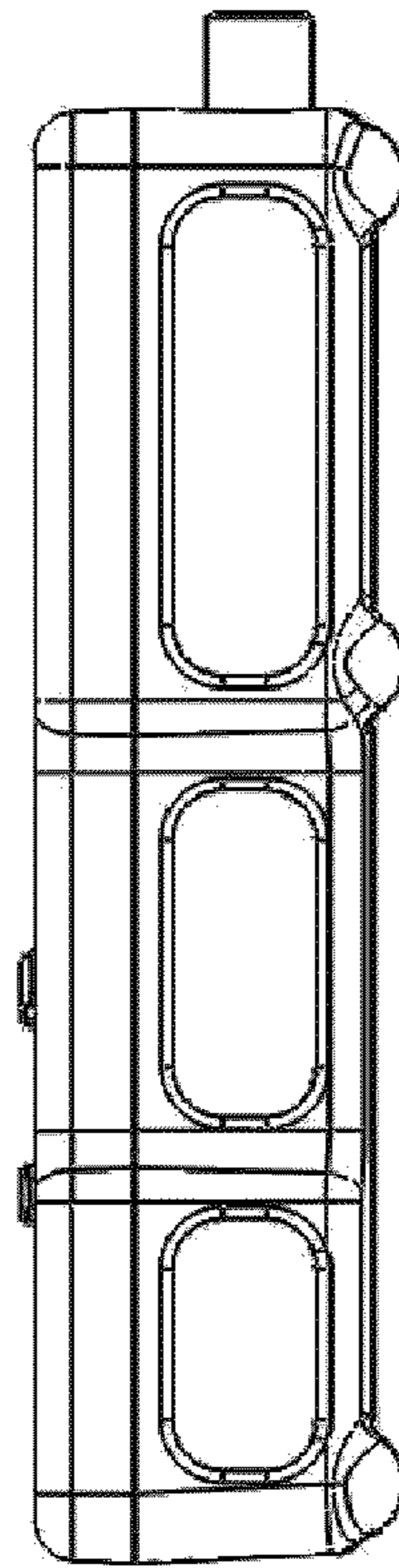


Fig. 5

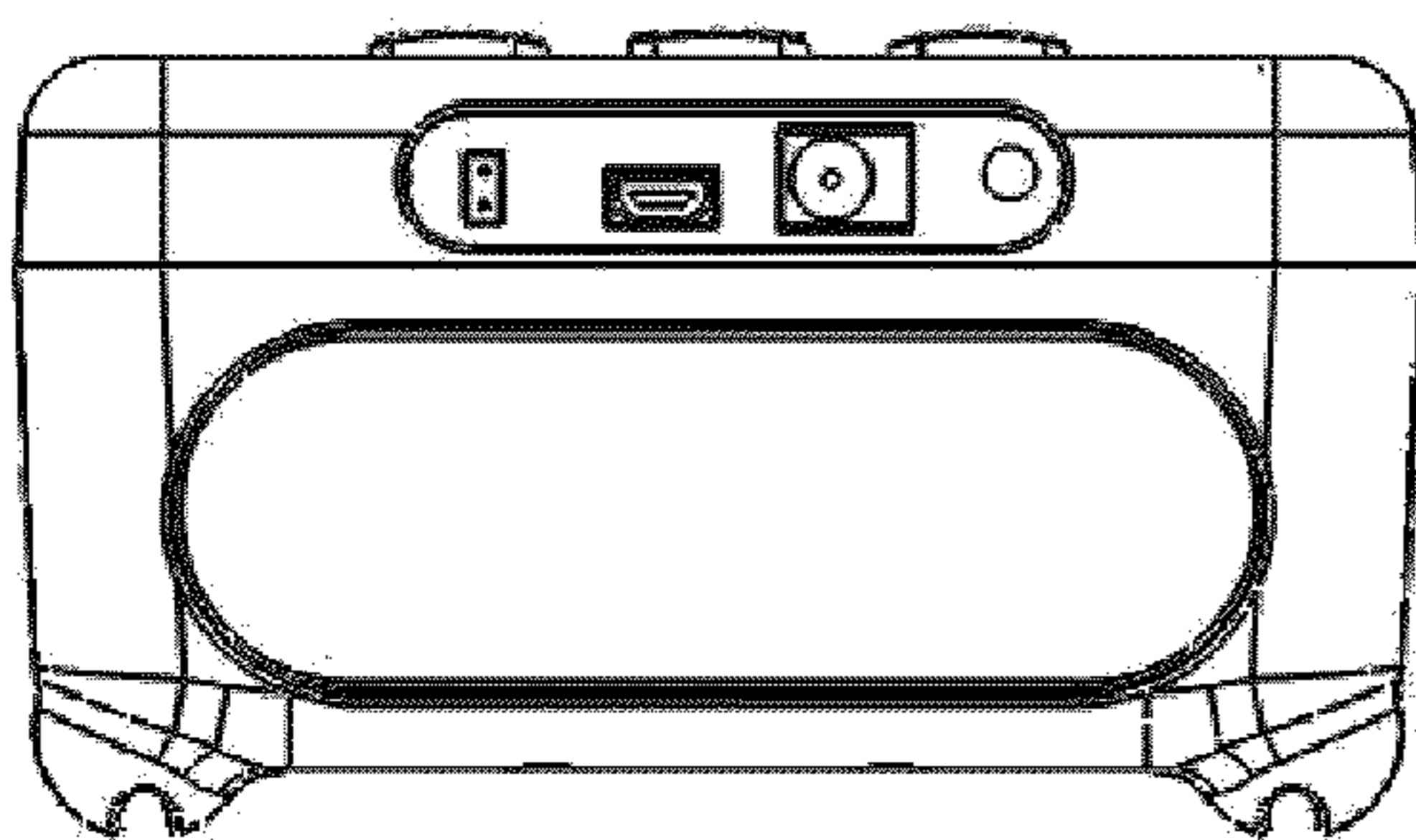


Fig. 6

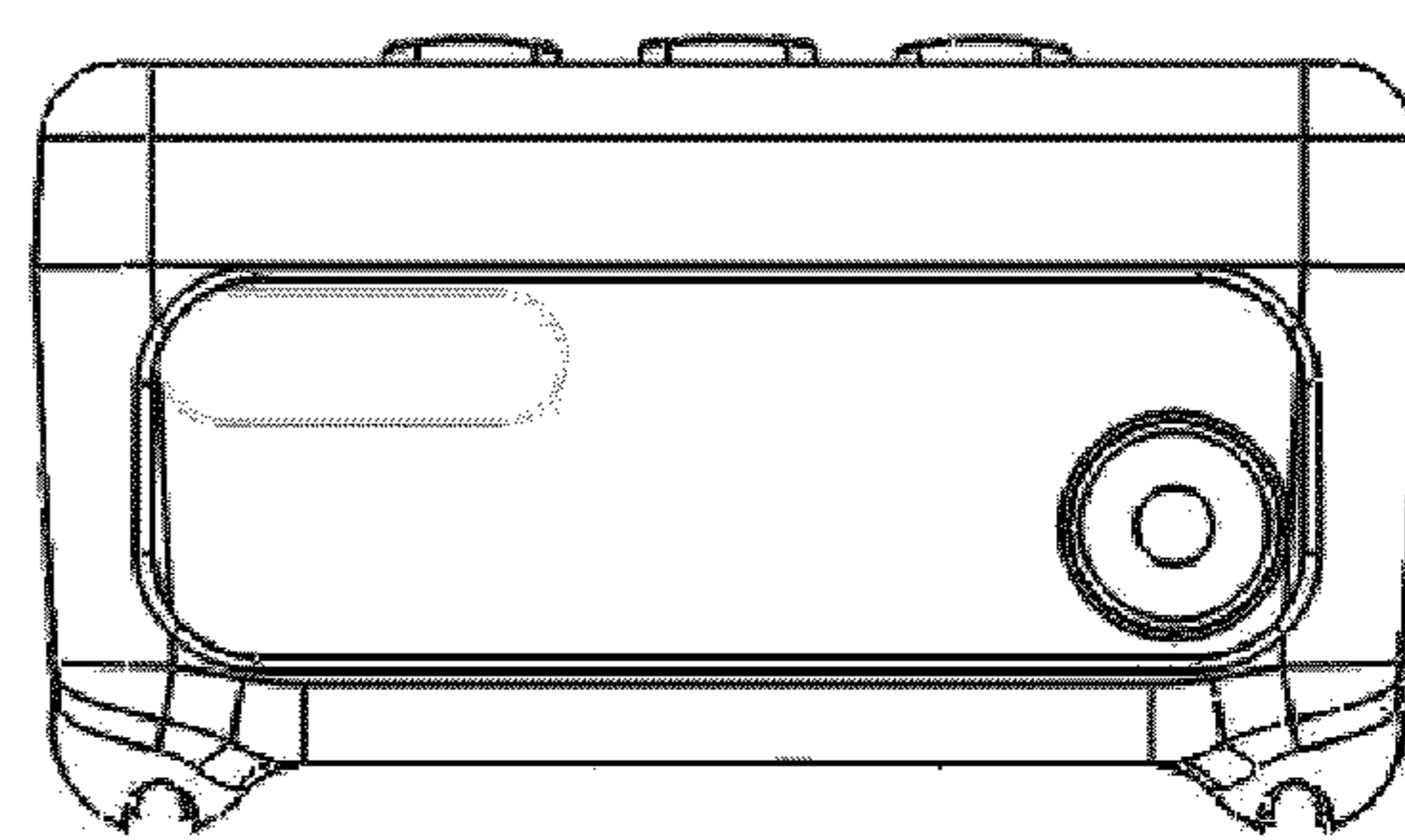


Fig. 7