



US00D677181S

(12) **United States Design Patent**
Lenz et al.

(10) **Patent No.:** **US D677,181 S**
(45) **Date of Patent:** **** Mar. 5, 2013**

(54) **NAVIGATION DEVICE**

(75) Inventors: **Derrick D. Lenz**, Olathe, KS (US);
Warren R. Stevens, Olathe, KS (US);
Jeff D. Taylor, Wellsville, KS (US);
Shawn R. Harvill, Kansas City, KS
(US)

(73) Assignee: **Garmin Switzerland GmbH** (CH)

(**) Term: **14 Years**

(21) Appl. No.: **29/414,244**

(22) Filed: **Feb. 27, 2012**

(51) **LOC (9) Cl.** **10-04**

(52) **U.S. Cl.** **D10/65; D10/70**

(58) **Field of Classification Search** D10/65,
D10/70, 104.2, 106.6; D14/315, 336, 337,
D14/341, 342, 343, 240–242, 356–358, 371,
D14/140.1–140.6, 140, 155, 159, 137, 149,
D14/150, 217, 170–171, 125, 188, 203.3,
D14/203.4, 203.7; 342/386, 351, 419, 457,
342/357.2–357.78, 450, 458; 343/702; 345/87,
345/104, 133, 156, 168, 173, 901–905; 348/180,
348/184, 315, 739; 364/444, 499; 701/23–28,
701/400, 408, 409, 468–491, 526

See application file for complete search history.

(56) **References Cited**

U.S. PATENT DOCUMENTS

D608,669 S * 1/2010 Stevens et al. D10/65

D626,437 S 11/2010 Lee et al. D10/65
D627,667 S 11/2010 Lenz et al. D10/65
D640,149 S * 6/2011 Lenz et al. D10/65
D644,538 S 9/2011 Lenz et al. D10/65
D648,233 S * 11/2011 Lenz et al. D10/65
D648,234 S 11/2011 Lenz et al. D10/65

* cited by examiner

Primary Examiner — Antoine D Davis

(74) *Attorney, Agent, or Firm* — Samuel M. Korte;
Mohammad M. Ali

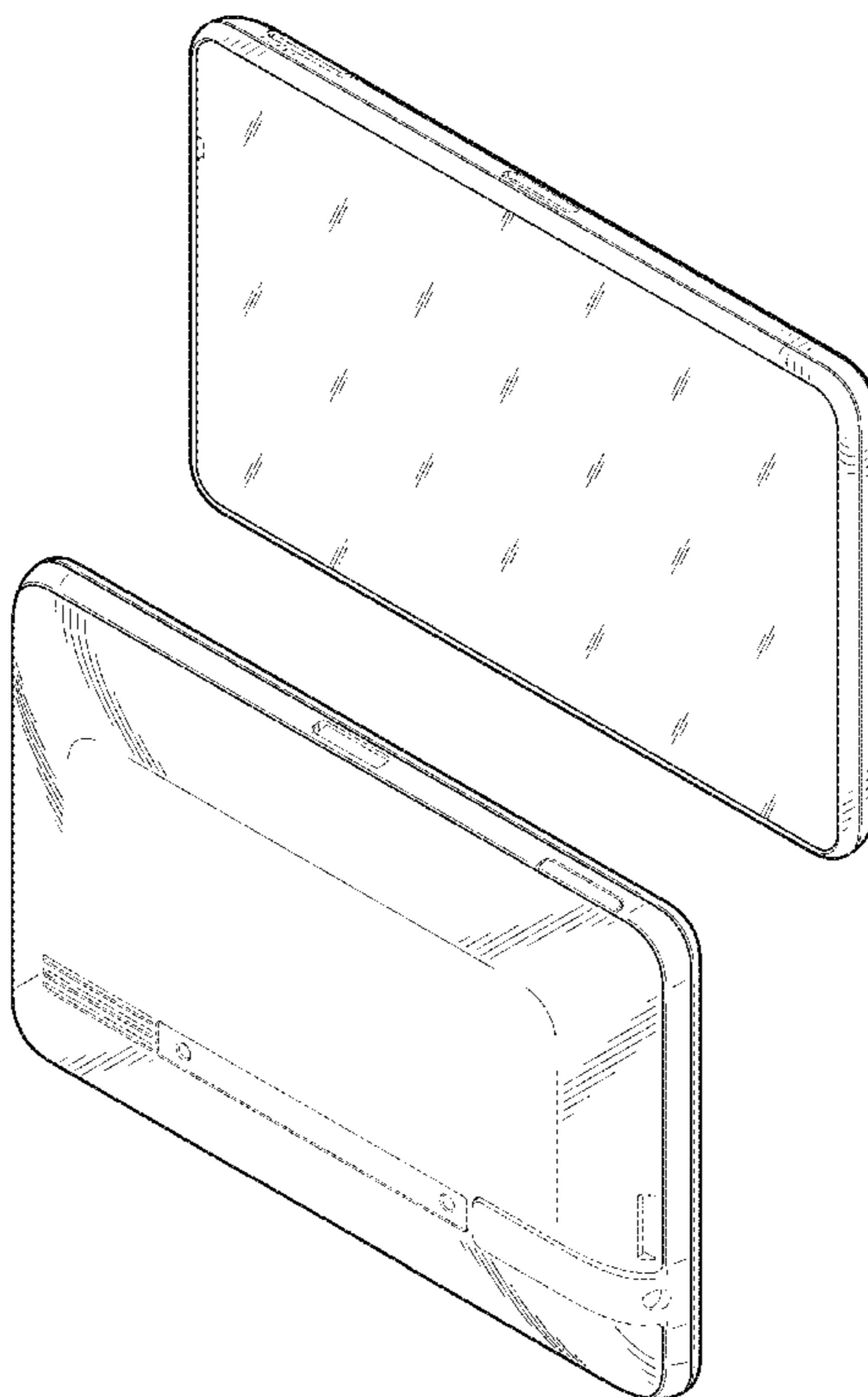
(57) **CLAIM**

The ornamental design for a navigation device, as shown and described.

DESCRIPTION

FIG. 1 is a front perspective view of a navigation device according to embodiments of the present invention; FIG. 2 is a rear perspective view of the navigation device; FIG. 3 is a top view of the navigation device; FIG. 4 is a front view of the navigation device; FIG. 5 is a rear view of the navigation device; FIG. 6 is a bottom view of the navigation device; FIG. 7 is a left side view of the navigation device; and, FIG. 8 is a right side view of the navigation device. Portions of FIGS. 1 through 8 are shown in dashed lines for illustrative purposes only and form no part of the claimed design.

1 Claim, 4 Drawing Sheets



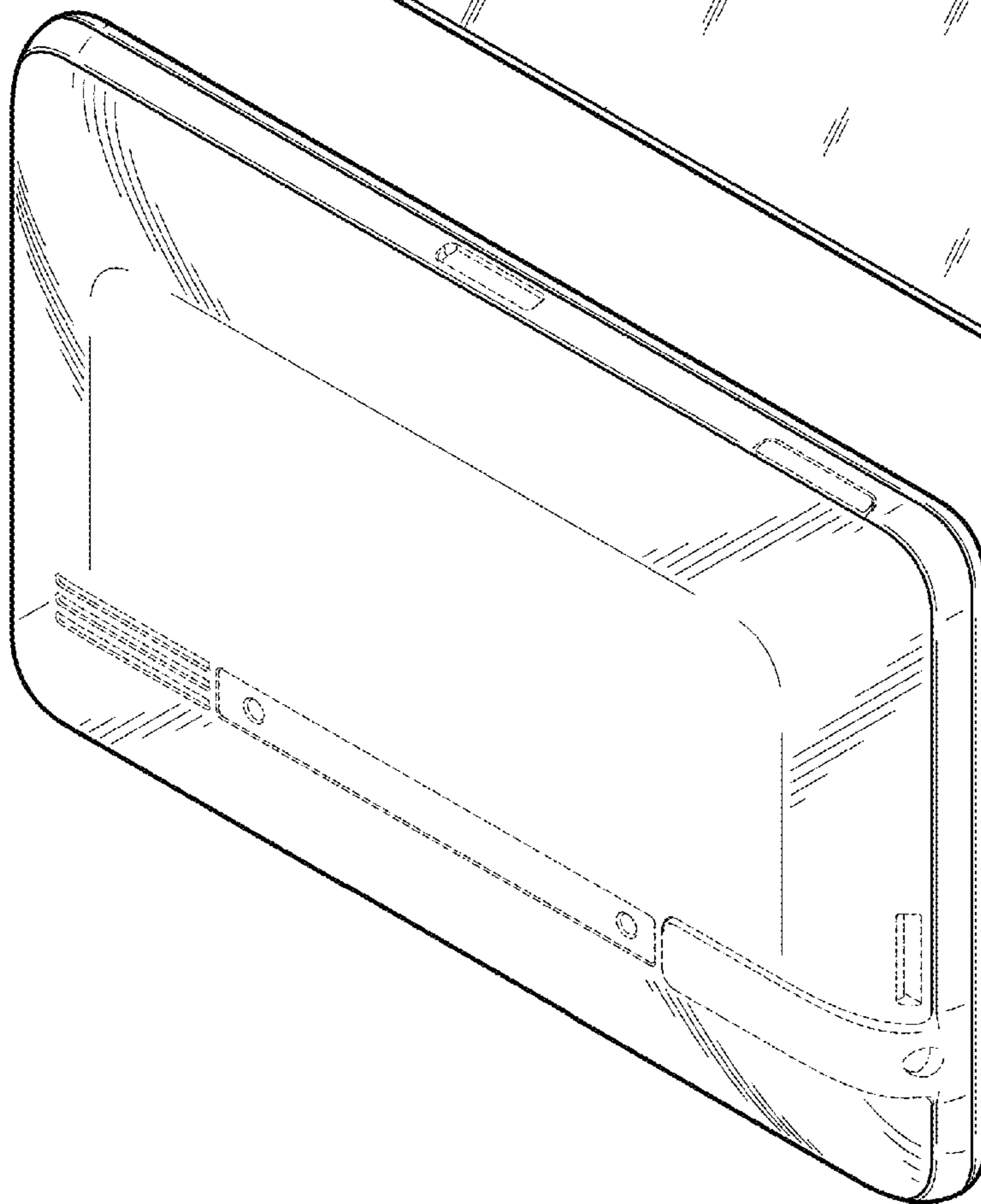
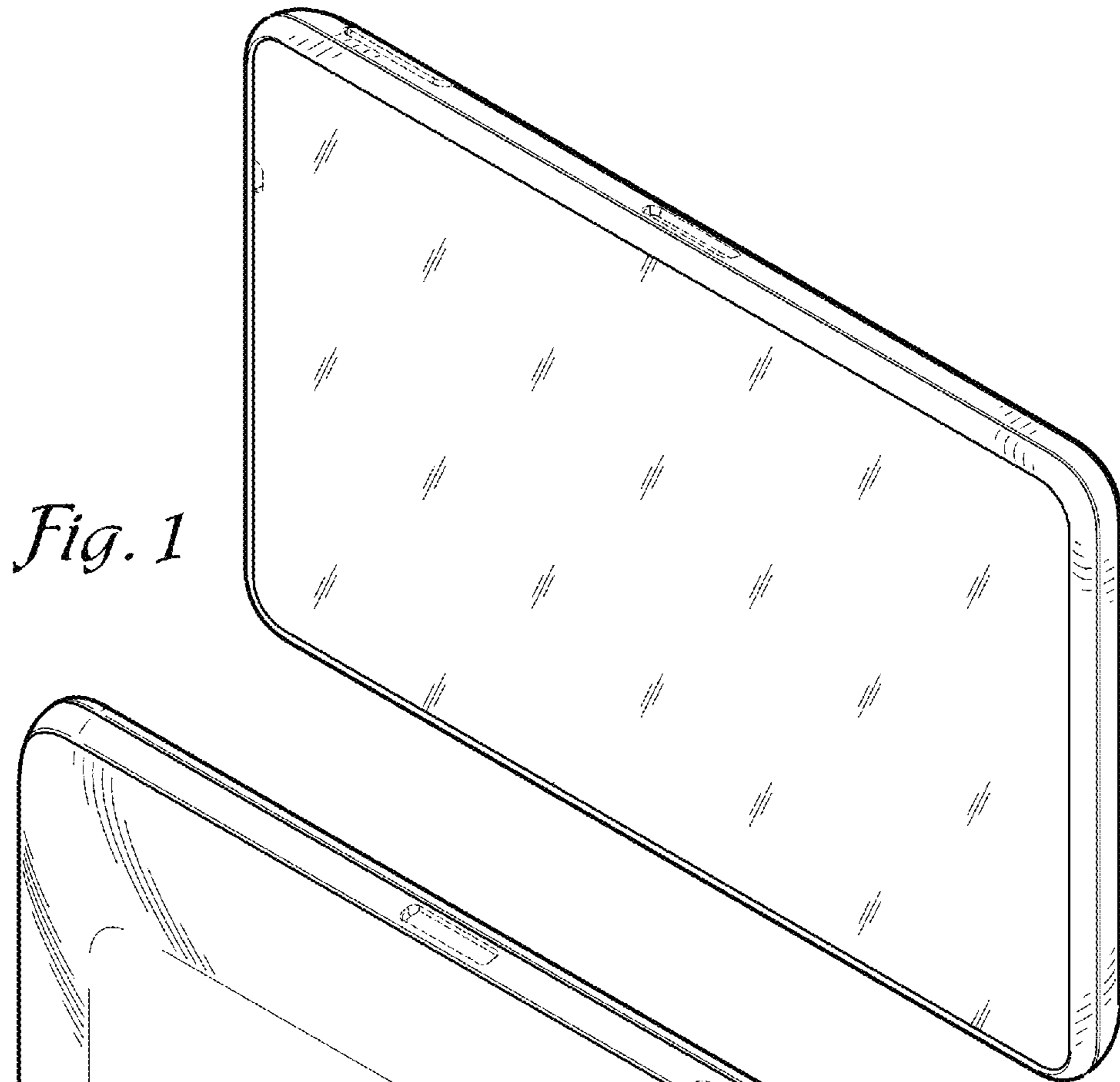


Fig. 2

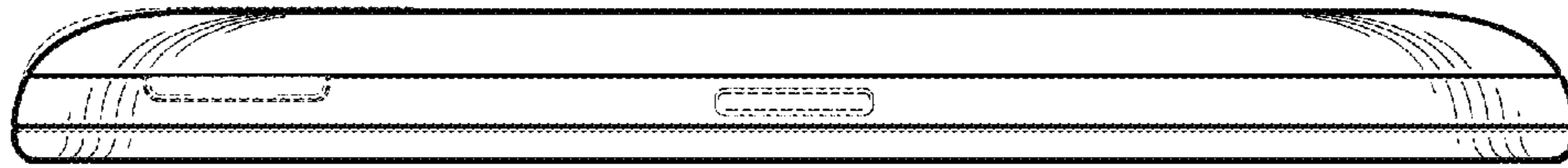


Fig. 3

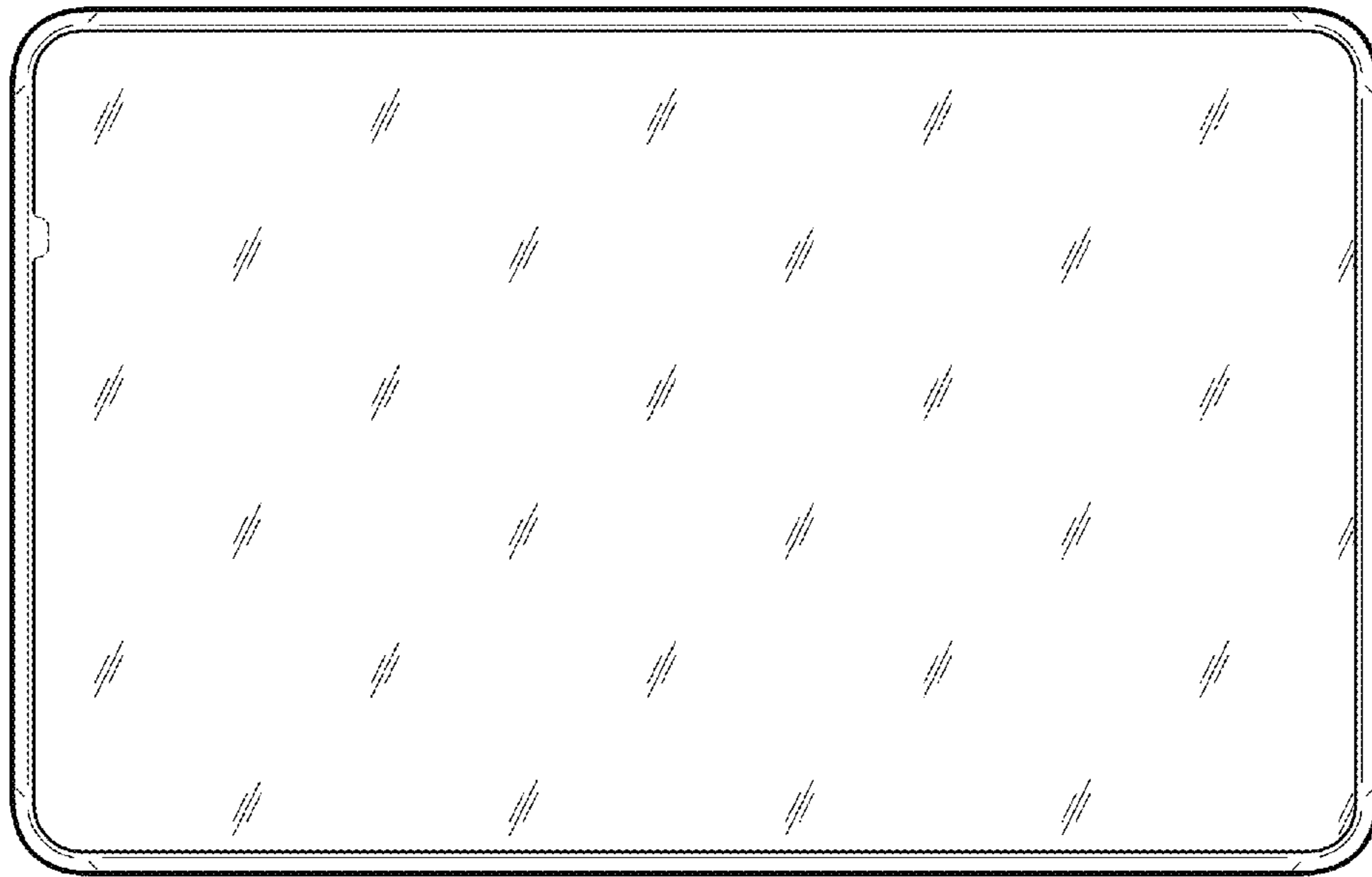


Fig. 4

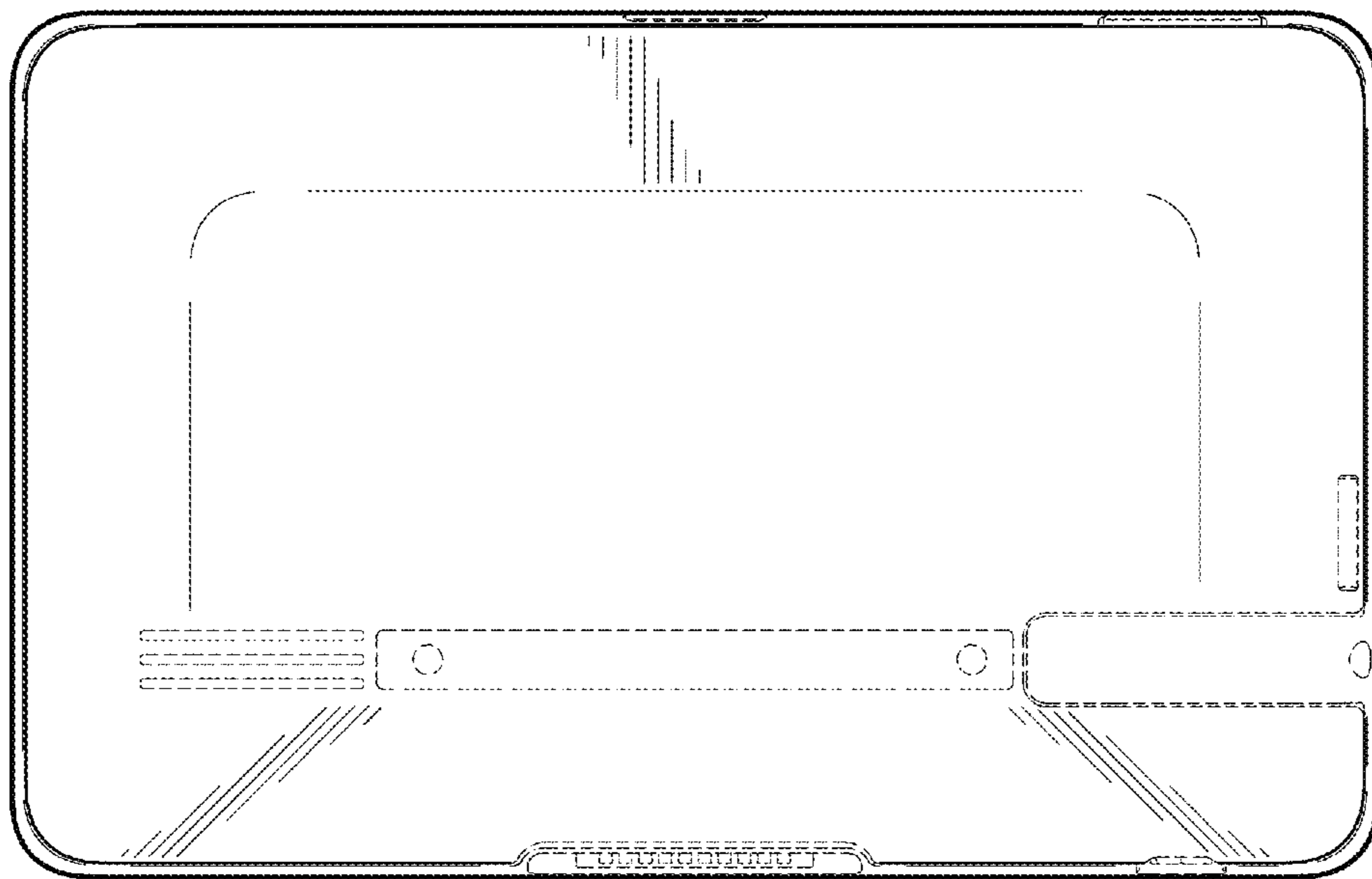


Fig. 5

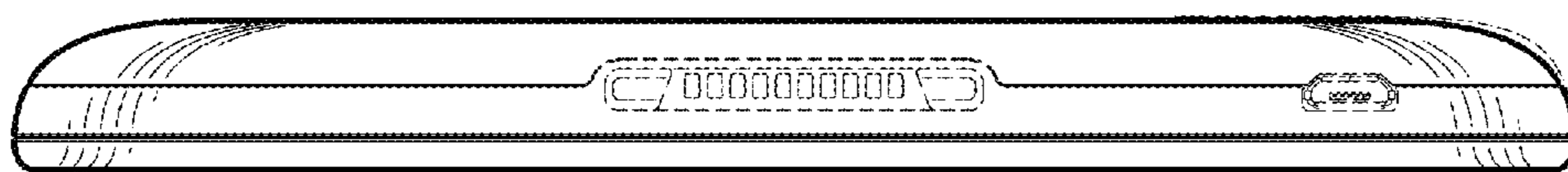


Fig. 6

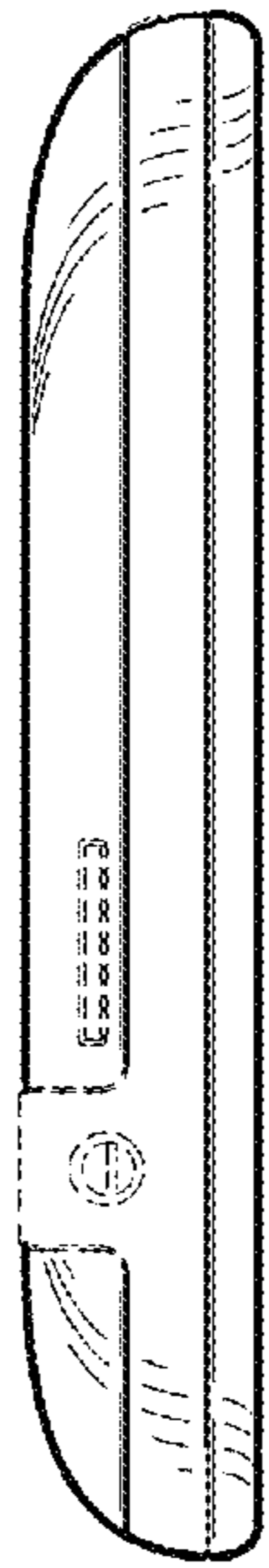


Fig. 7

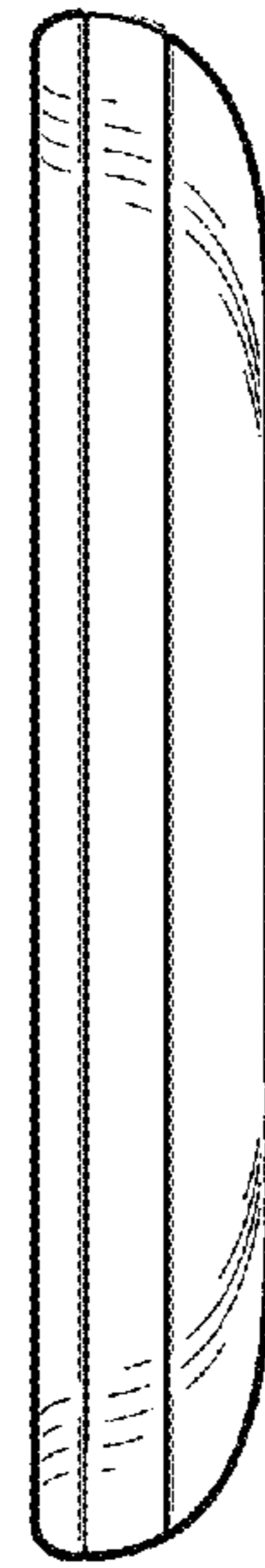


Fig. 8