



US00D677178S

(12) **United States Design Patent**
Delgado Acarreta

(10) **Patent No.:** **US D677,178 S**
(45) **Date of Patent:** **** Mar. 5, 2013**

(54) **MEASURING DEVICE FOR INDICATING THE AMMUNITION IN THE MAGAZINE AND SHOTS OF A FIREARM**

(76) Inventor: **Raúl Delgado Acarreta**, Navarra (ES)

(**) Term: **14 Years**

(21) Appl. No.: **29/396,849**

(22) Filed: **Jul. 7, 2011**

(51) **LOC (9) Cl.** **10-04**

(52) **U.S. Cl.** **D10/46; D22/108**

(58) **Field of Classification Search** D10/46;
D22/108, 199; 89/1.1, 33.01, 33.03, 33.1
See application file for complete search history.

(56) **References Cited**

U.S. PATENT DOCUMENTS

4,127,055 A * 11/1978 Hottinger et al. 89/33.02

* cited by examiner

Primary Examiner — Antoine D Davis

(74) *Attorney, Agent, or Firm* — Blank Rome LLP

(57) **CLAIM**

The ornamental design for a measuring device for indicating the ammunition in the magazine and shots of a firearm, as shown and described.

DESCRIPTION

FIG. 1 is a top-perspective view of an embodiment of a measuring device for indicating the ammunition in the magazine and shots of a firearm;

FIG. 2 is a front view of the measuring device for indicating the ammunition in the magazine and shots of a firearm;

FIG. 3 is a back view of the measuring device for indicating the ammunition in the magazine and shots of a firearm;

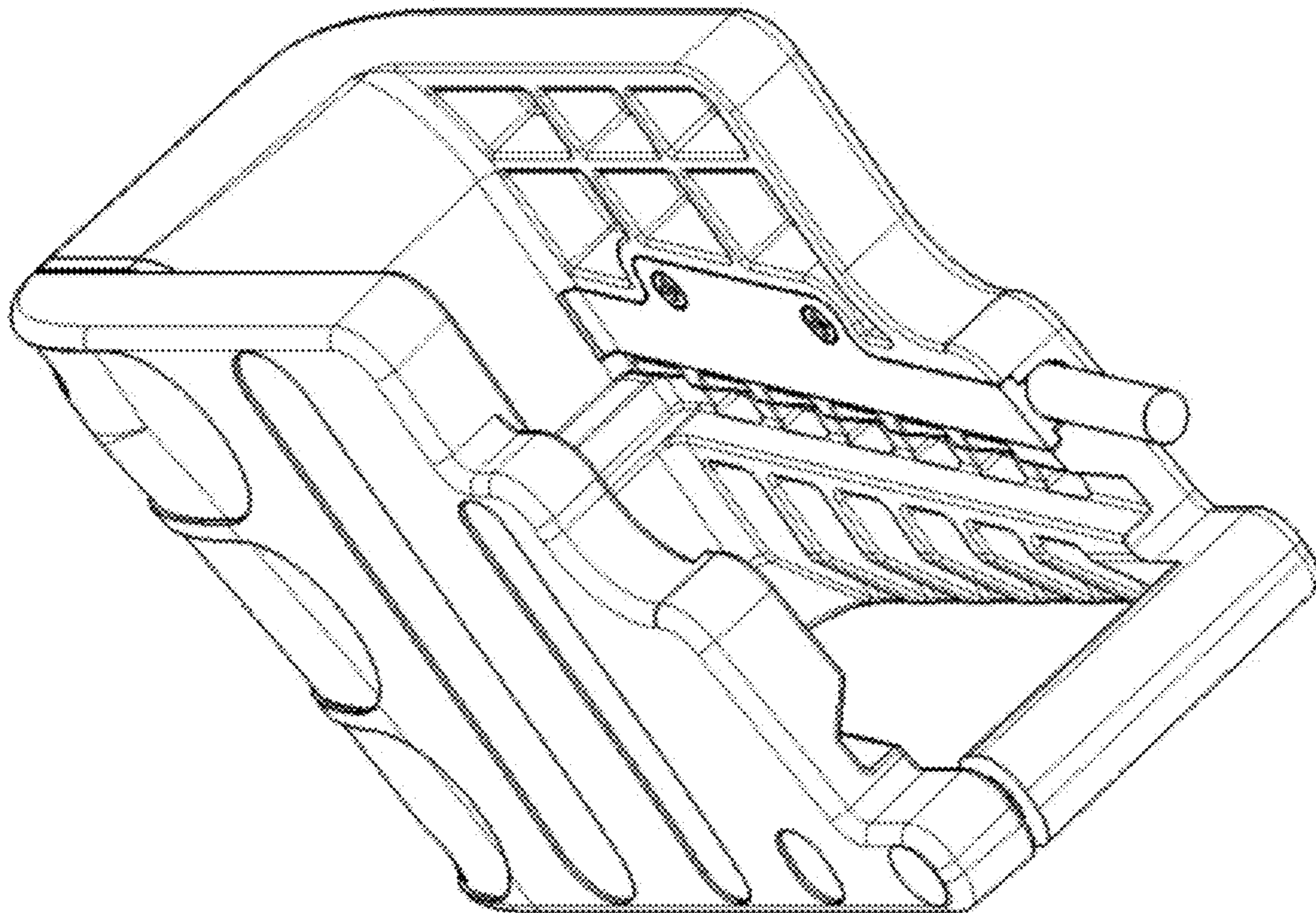
FIG. 4 is a left-side view of the measuring device for indicating the ammunition in the magazine and shots of a firearm;

FIG. 5 is a right-side view of the measuring device for indicating the ammunition in the magazine and shots of a firearm;

FIG. 6 is a top view of the measuring device for indicating the ammunition in the magazine and shots of a firearm; and,

FIG. 7 is a bottom view of the measuring device for indicating the ammunition in the magazine and shots of a firearm.

1 Claim, 7 Drawing Sheets



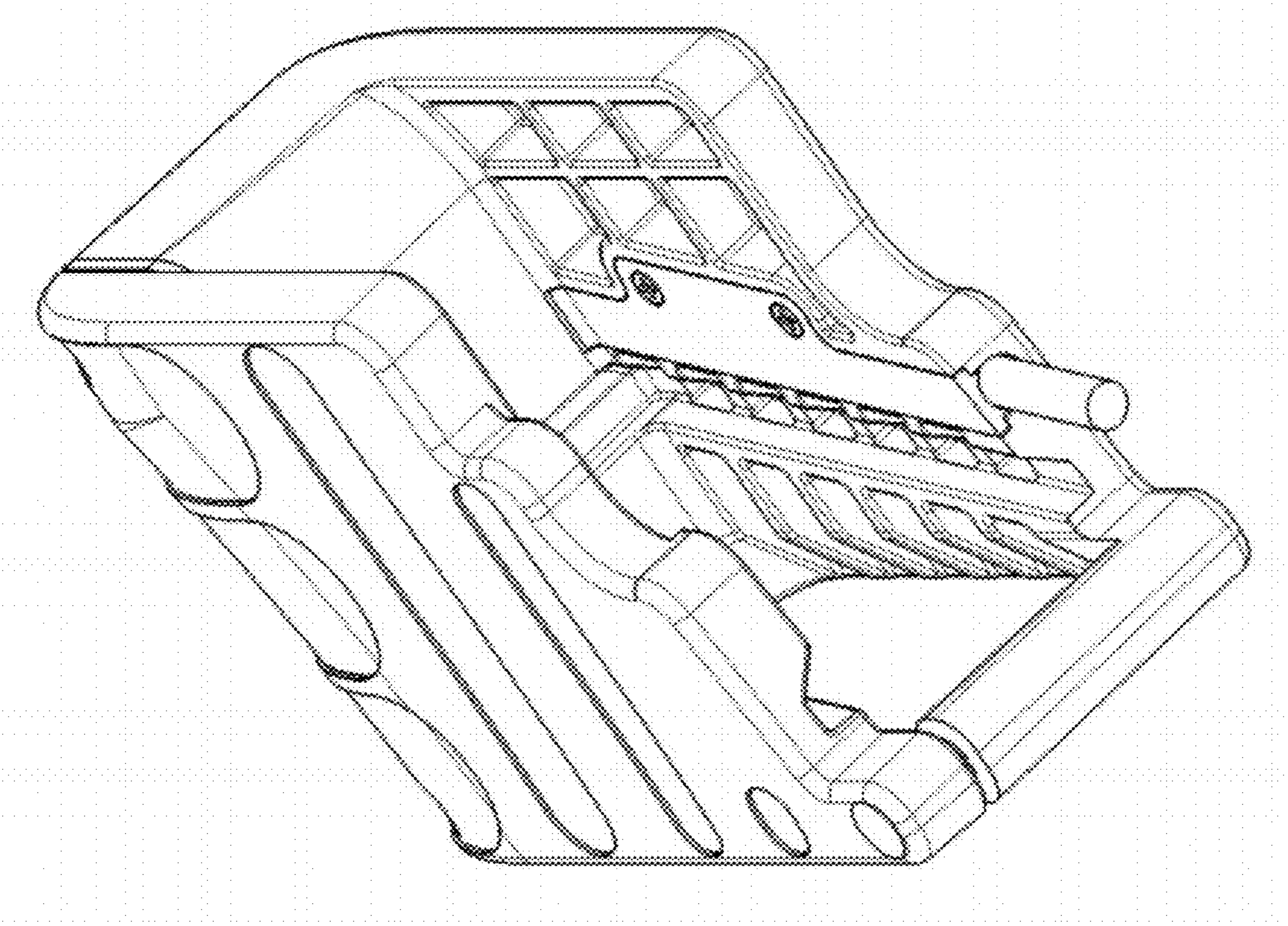


FIG 1

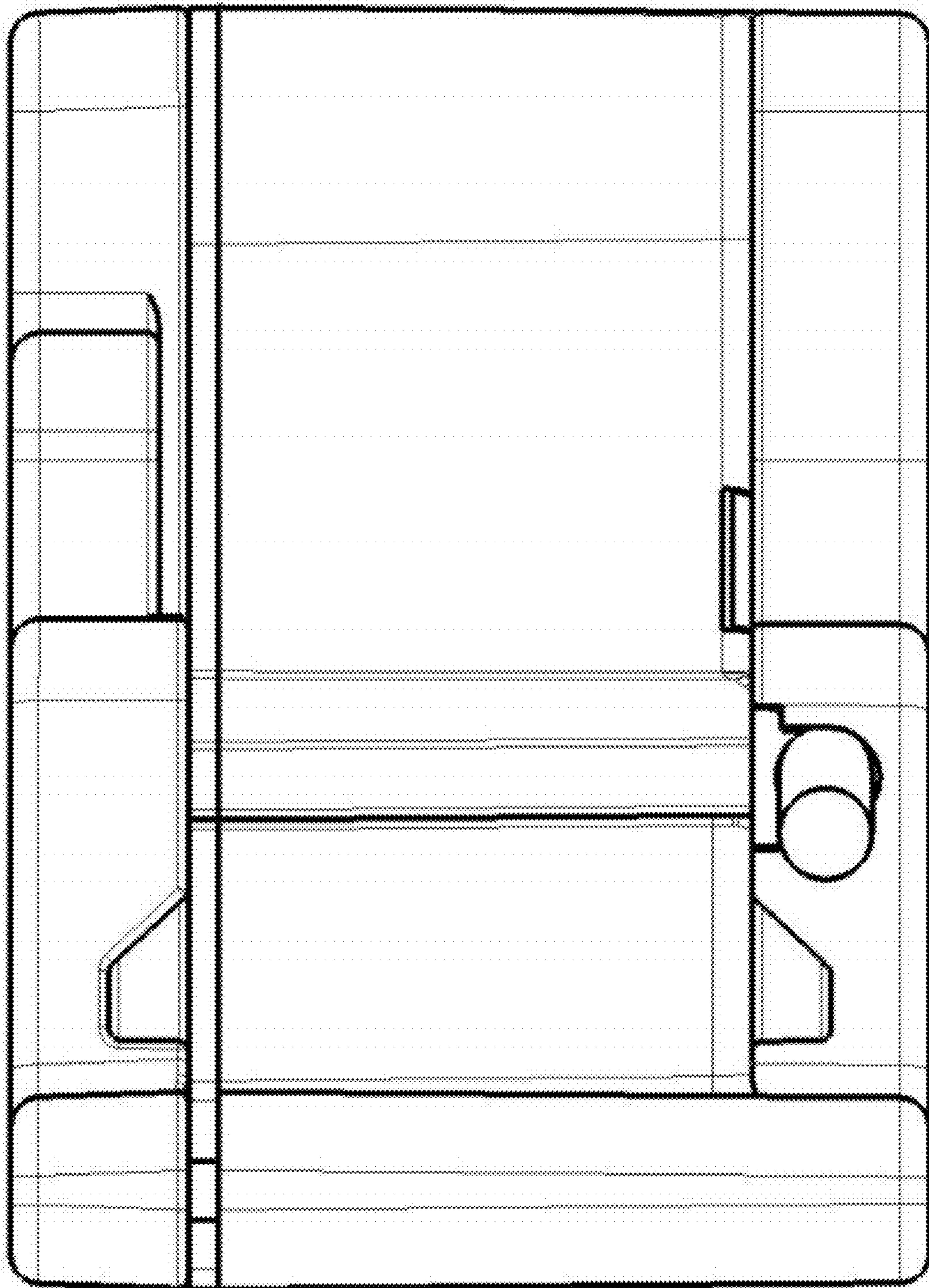


FIG. 2

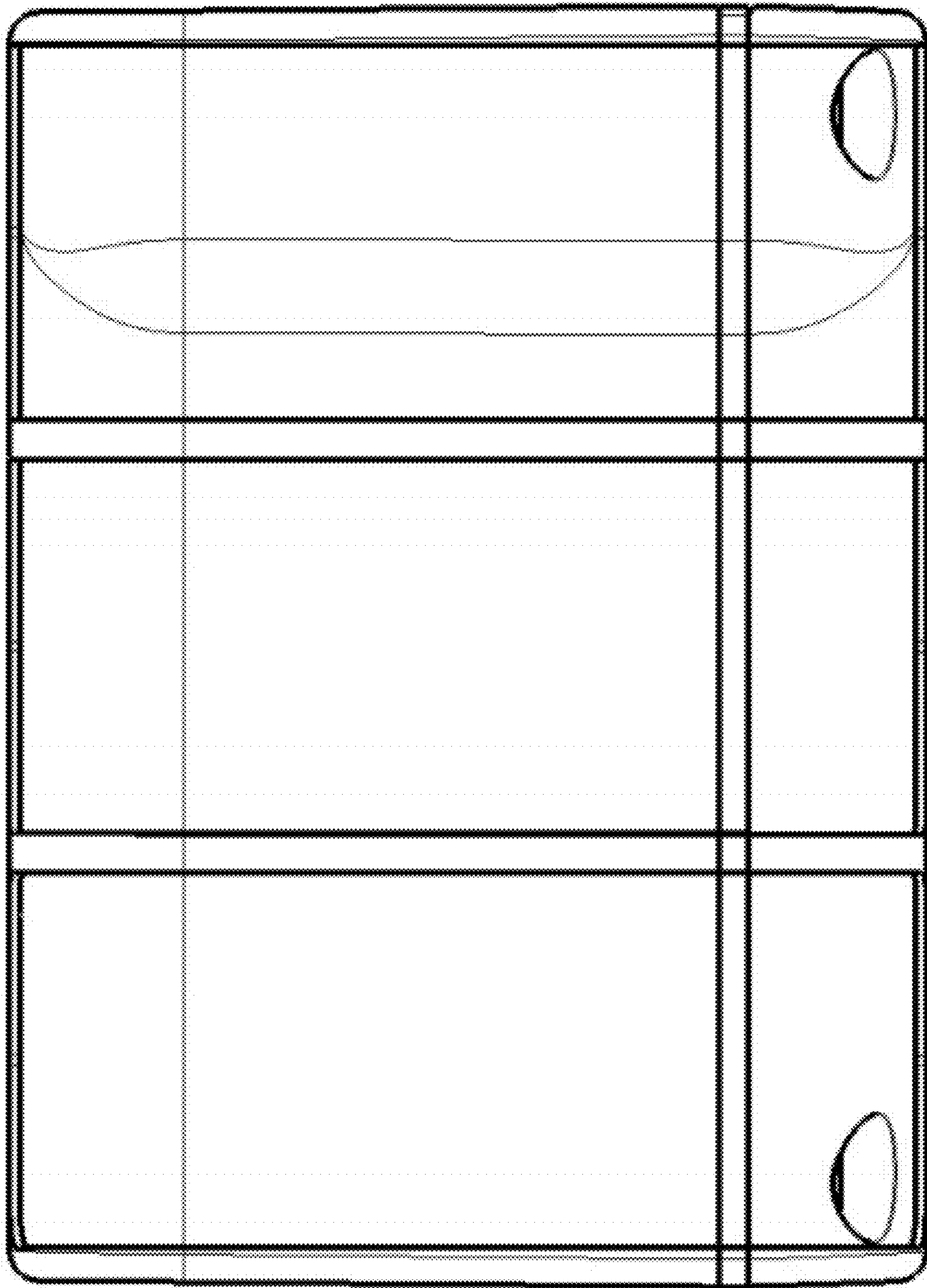


FIG. 3

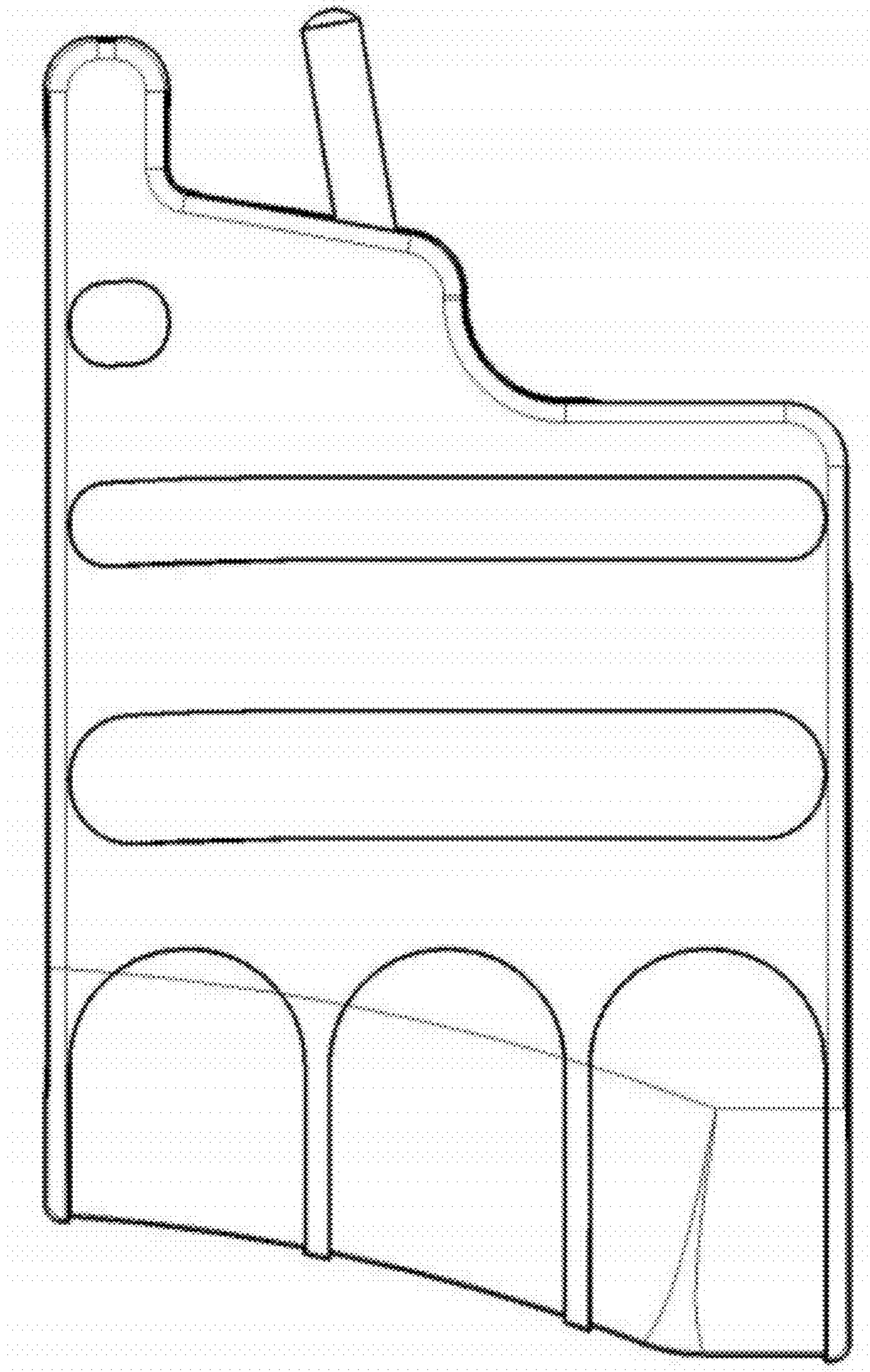


FIG. 4

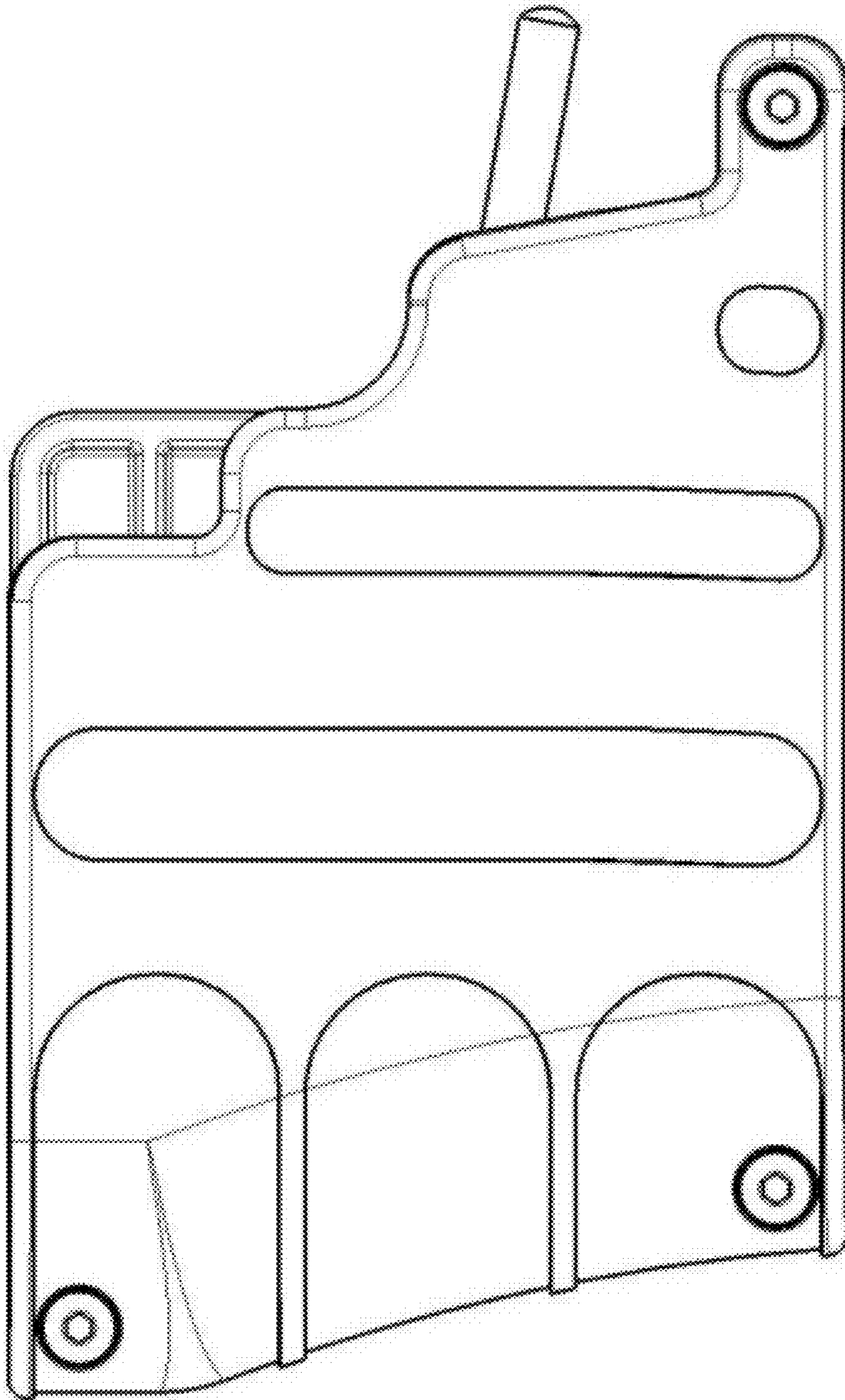


FIG. 5

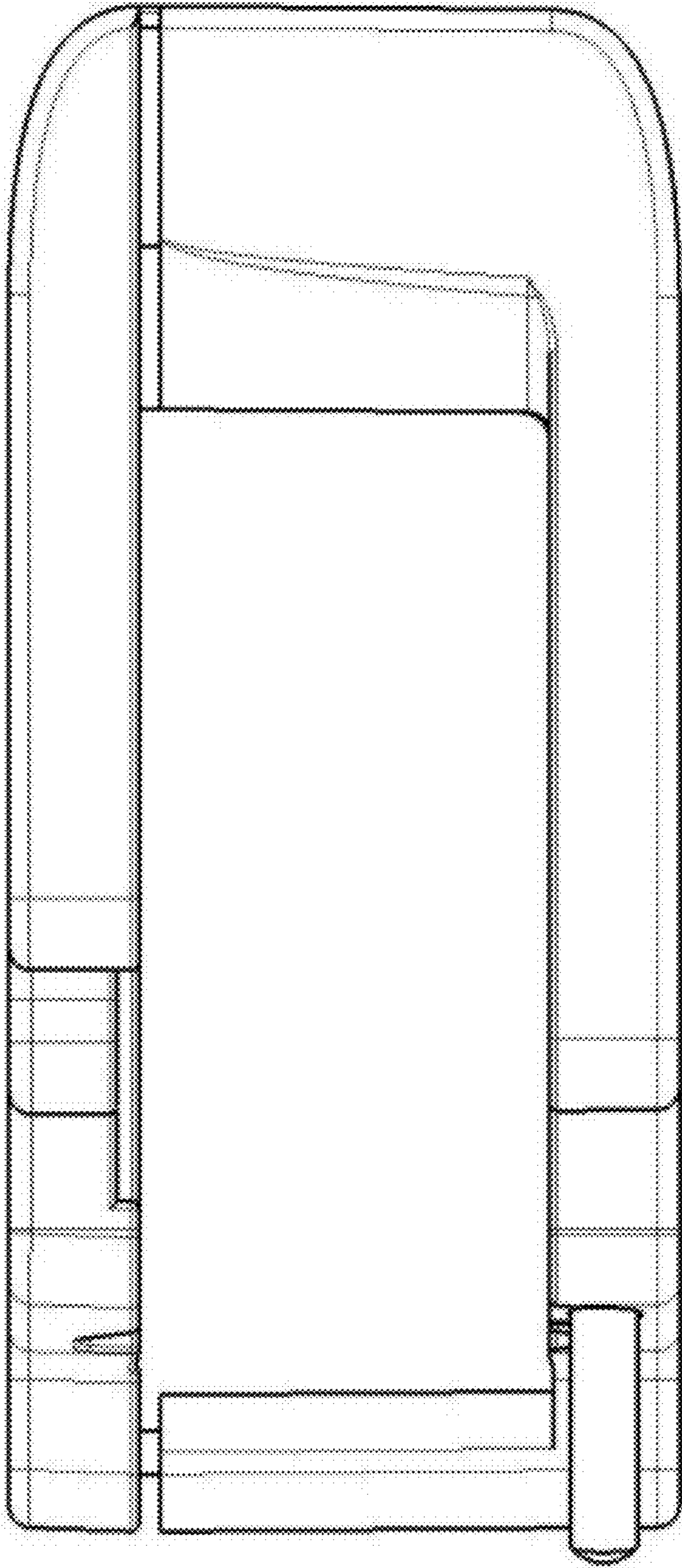


FIG. 6

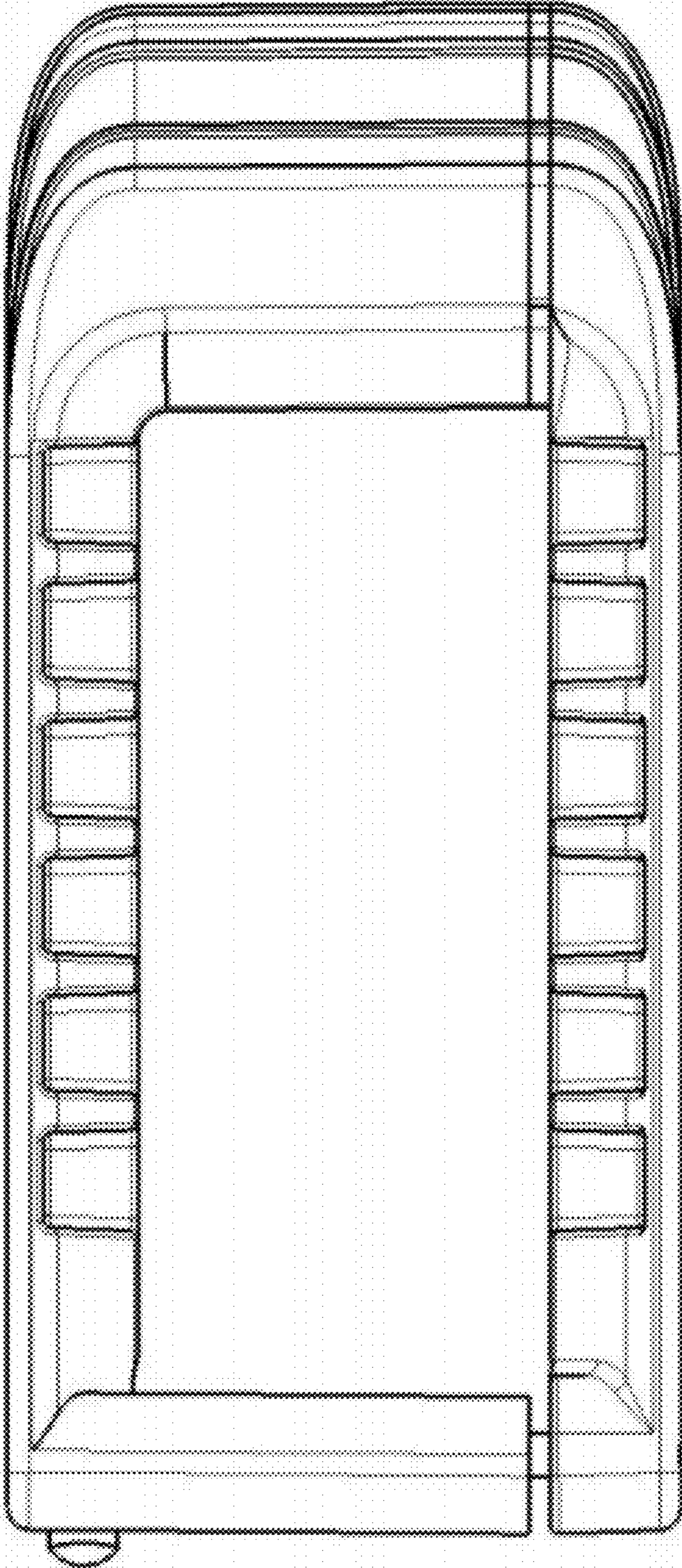


FIG. 7