



US00D677176S

(12) **United States Design Patent**
Ruffieux

(10) **Patent No.:** **US D677,176 S**
(45) **Date of Patent:** **** Mar. 5, 2013**

(54) **WATCH**
(75) Inventor: **Leila Ruffieux**, Neuchatel (CH)
(73) Assignee: **Montblanc-Simplo GmbH**, Hamburg (DE)
(**) Term: **14 Years**
(21) Appl. No.: **29/426,944**
(22) Filed: **Jul. 12, 2012**

D505,342 S *	5/2005	Hayek	D10/39
D547,211 S *	7/2007	Dias	D10/39
D554,003 S *	10/2007	Journe	D10/31
D554,535 S *	11/2007	Journe	D10/31
D562,705 S *	2/2008	Laucella	D10/37
D568,180 S *	5/2008	Laucella	D10/39
D578,901 S *	10/2008	Laucella	D10/38
D579,793 S *	11/2008	Hayek	D10/39
D608,223 S *	1/2010	Salanitro	D10/38
D615,883 S *	5/2010	Laucella	D10/39
D641,264 S *	7/2011	Garcia	D10/39
D651,099 S *	12/2011	Ruffieux	D10/38

* cited by examiner

(30) **Foreign Application Priority Data**
Jan. 13, 2012 (WO) DM/077 638
(51) **LOC (9) Cl.** **10-02**
(52) **U.S. Cl.** **D10/39**
(58) **Field of Classification Search** D10/30-39,
D10/122-132; 368/276, 281, 282, 319, 308,
368/223, 228, 232, 21, 28
See application file for complete search history.

Primary Examiner — Lucy Lieberman
(74) *Attorney, Agent, or Firm* — Clifford W. Browning;
Krieg DeVault LLP

(56) **References Cited**
U.S. PATENT DOCUMENTS
2,361,563 A * 10/1944 Pellaton 368/80
D186,180 S * 9/1959 Diamond D10/39
4,972,393 A * 11/1990 Sase et al. 368/28
5,467,325 A * 11/1995 Juillerat 368/276
D365,526 S * 12/1995 Gardner D10/39

(57) **CLAIM**
The ornamental design for a watch, as shown and described.

DESCRIPTION

FIG. 1 is a top view of the watch of the present invention.
FIG. 2 is a bottom view of the watch of FIG. 1.
FIG. 3 is a left side view of the watch of FIG. 1.
FIG. 4 is a right side view of the watch of FIG. 1.
FIG. 5 is a front view of the watch of FIG. 2.
FIG. 6 is a rear view of the watch of FIG. 1; and,
FIG. 7 is a top, right-side perspective view of the watch of FIG. 1.

1 Claim, 1 Drawing Sheet





FIG. 1

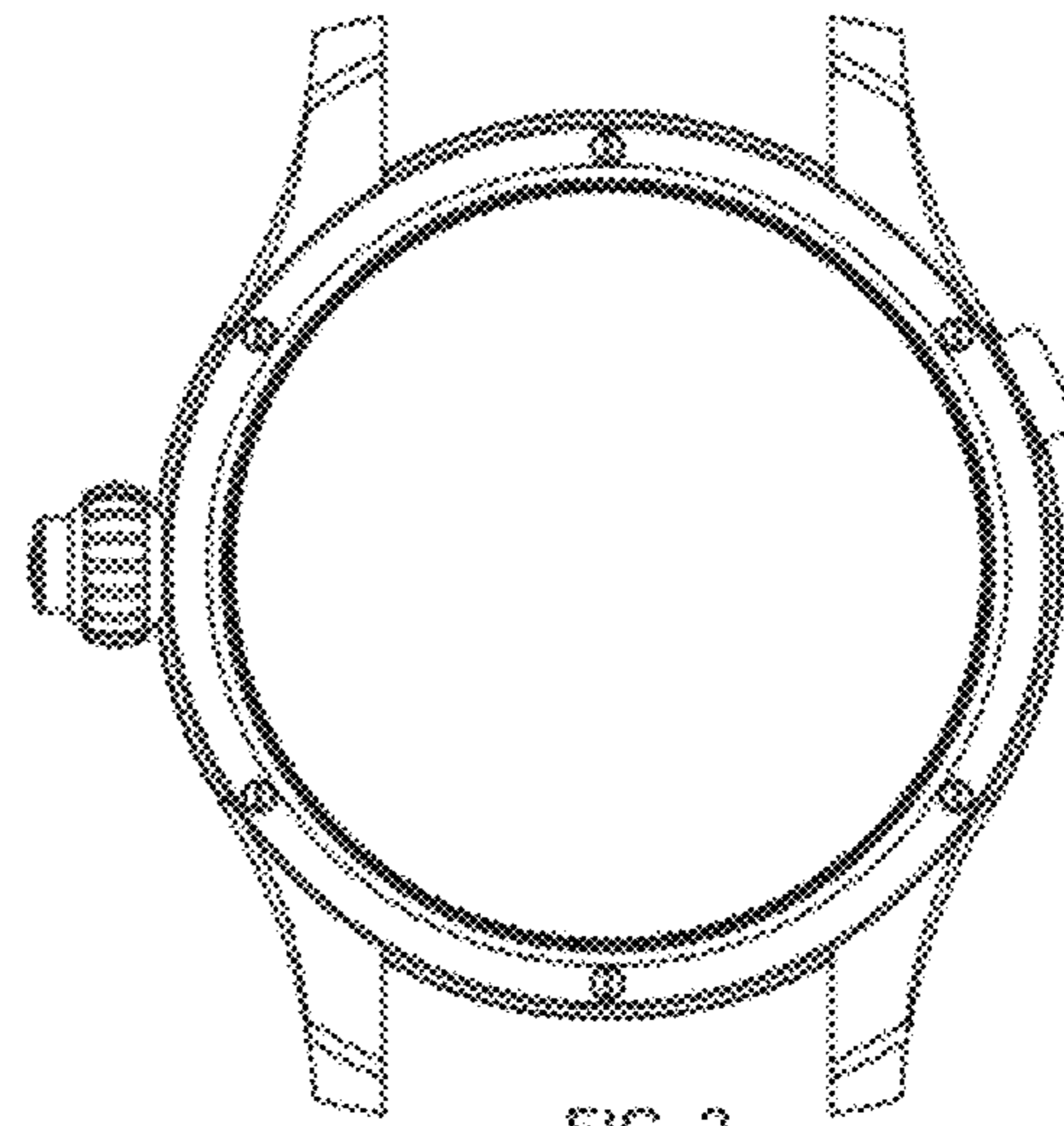


FIG. 2

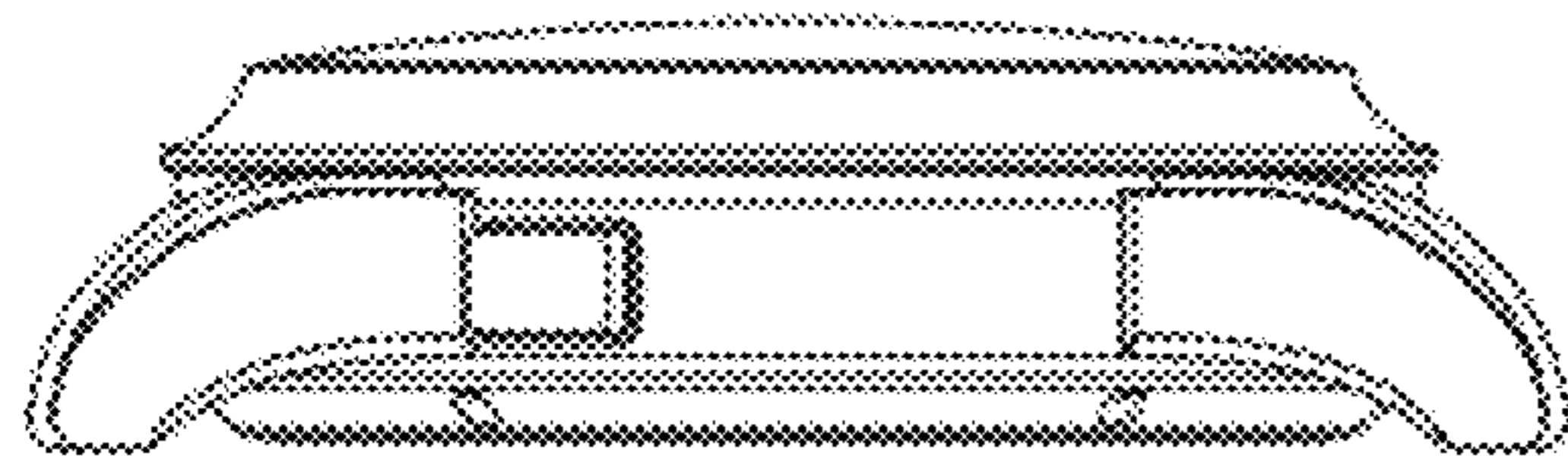


FIG. 3

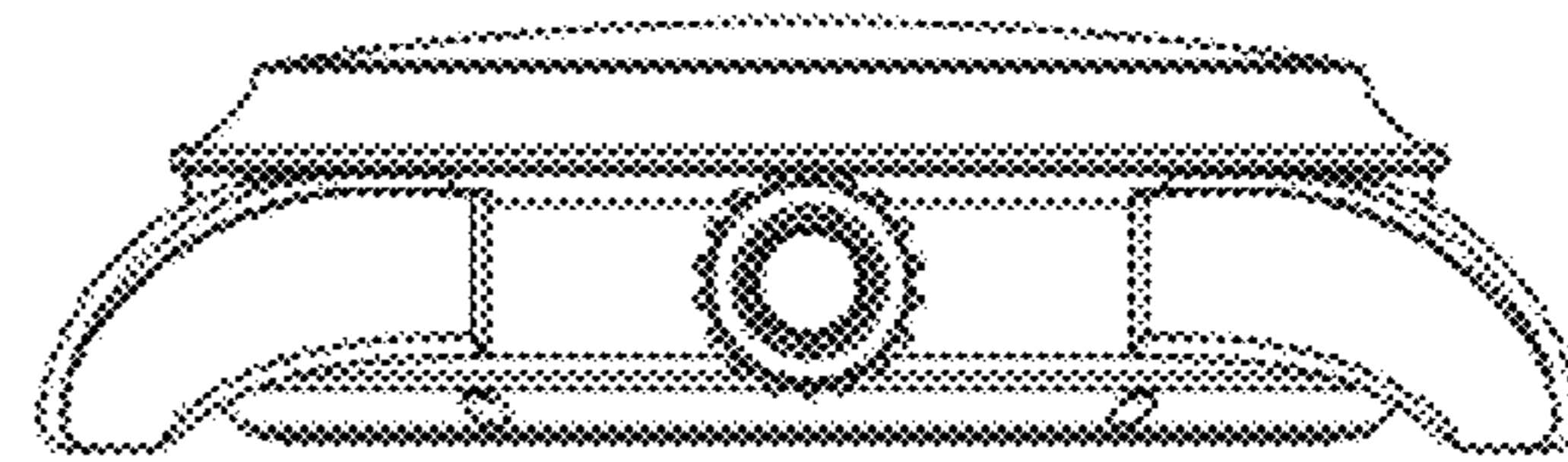


FIG. 4

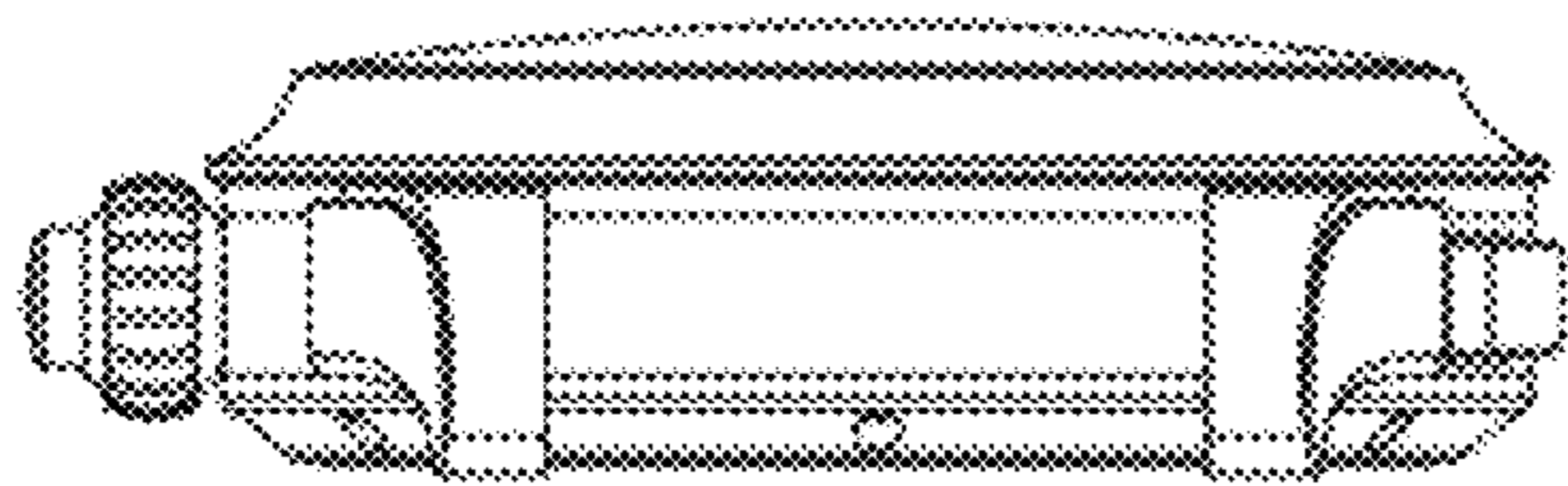


FIG. 5

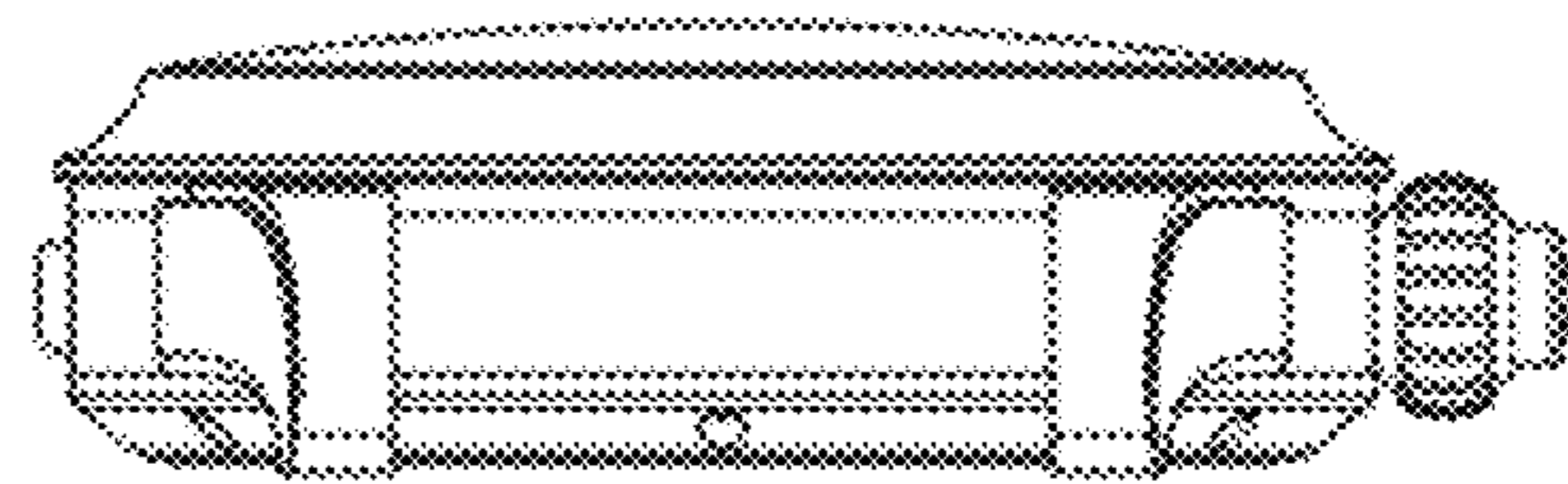


FIG. 6

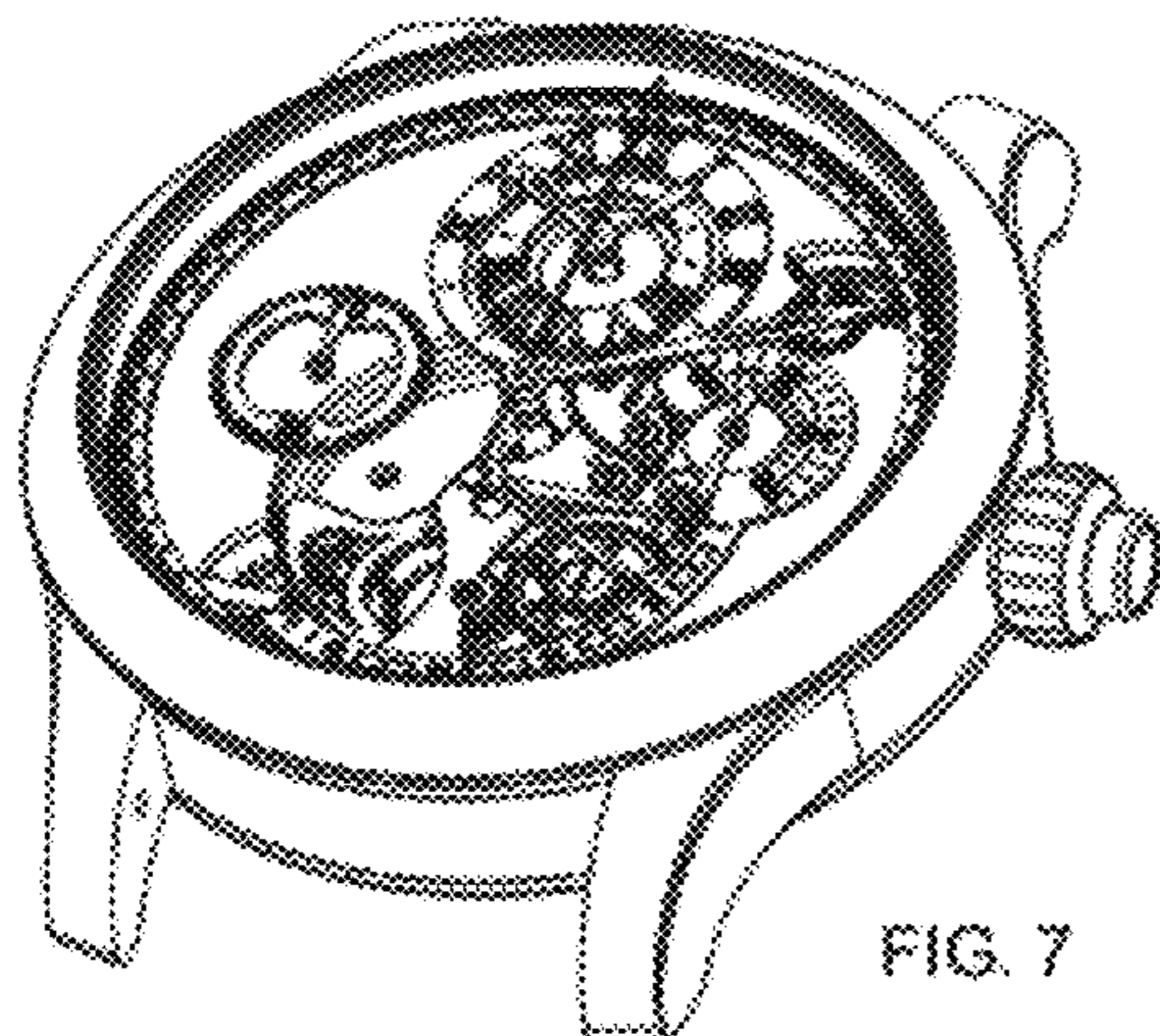


FIG. 7