

US00D677163S

(12) **United States Design Patent**  
**Jones et al.**

(10) **Patent No.:** **US D677,163 S**  
(45) **Date of Patent:** **\*\* Mar. 5, 2013**

(54) **TRAY ASSEMBLY FOR A DISPENSING CONTAINER**  
  
(75) Inventors: **Wesley Steven Jones**, Lexington, NC (US); **Jerry Wayne Pipes**, Clemmons, NC (US); **Pankaj Patel**, Clemmons, NC (US); **Jonathan David Corwin**, Winston-Salem, NC (US); **Melissa Ann Clark**, Mocksville, NC (US); **Rick Grainger**, Winston-Salem, NC (US); **Jean-Pierre Giraud**, Auburn, AL (US); **Michel Zbirka**, Jouy-sur-Morin (FR); **Herve Pichot**, Chenneviere sur Mame (FR)  
  
(73) Assignee: **R.J. Reynolds Tobacco Company**, Winston-Salem, NC (US)

3,895,737 A 7/1975 Phillips  
4,007,828 A 2/1977 Mayled  
4,057,145 A 11/1977 Wray et al.  
4,154,365 A 5/1979 Lorca  
D254,296 S 2/1980 Doneaux  
4,284,204 A 8/1981 Cary, Jr.  
4,437,579 A 3/1984 Obland  
4,561,544 A 12/1985 Reeve  
4,572,376 A 2/1986 Wrennall  
4,611,727 A 9/1986 Graff  
4,705,165 A 11/1987 Thieke  
D307,555 S 5/1990 Haenni et al.  
5,108,006 A 4/1992 Tieke et al.  
5,174,471 A 12/1992 Kozlowski et al.  
5,275,291 A 1/1994 Sledge  
D382,200 S 8/1997 Brondyke et al.  
5,657,901 A 8/1997 Farside  
5,729,955 A 3/1998 Yamada  
D393,591 S 4/1998 Baryshyan  
5,782,359 A 7/1998 McAllister et al.  
5,816,441 A 10/1998 Farside

(\*\*) Term: **14 Years**

(Continued)

(21) Appl. No.: **29/429,244**

FOREIGN PATENT DOCUMENTS

(22) Filed: **Aug. 8, 2012**

CH 180218 A 10/1935  
GB 686 870 2/1953

(Continued)

**Related U.S. Application Data**

(62) Division of application No. 29/386,798, filed on Mar. 4, 2011, now Pat. No. Des. 667,303.

(51) **LOC (9) Cl.** ..... **09-07**

(52) **U.S. Cl.** ..... **D9/456**

(58) **Field of Classification Search** ..... D9/456,  
D9/455, 434; D3/328, 319, 313, 295, 294,  
D3/273, 203.8, 203.6, 203.1, 201; D25/141,  
D25/125, 123, 115, 114, 113; 428/152, 150,  
428/141; 410/154; 206/711, 710

See application file for complete search history.

(56) **References Cited**

U.S. PATENT DOCUMENTS

194,197 A 8/1877 Villaret  
2,090,530 A 8/1937 Gary et al.  
D134,249 S 9/1942 Button  
3,696,917 A 10/1972 Levi  
3,782,584 A 1/1974 Swenson et al.

*Primary Examiner* — Susan Bennett Hattan

(74) *Attorney, Agent, or Firm* — Womble Carlyle Sandridge & Rice, LLP

(57) **CLAIM**

The ornamental design for a tray assembly for a dispensing container, as shown and described.

**DESCRIPTION**

FIG. 1 is a top, front perspective view of the new design for a tray assembly for a dispensing container, the tray assembly having a transparent cover portion;

FIG. 2 is a top, rear perspective view thereof;

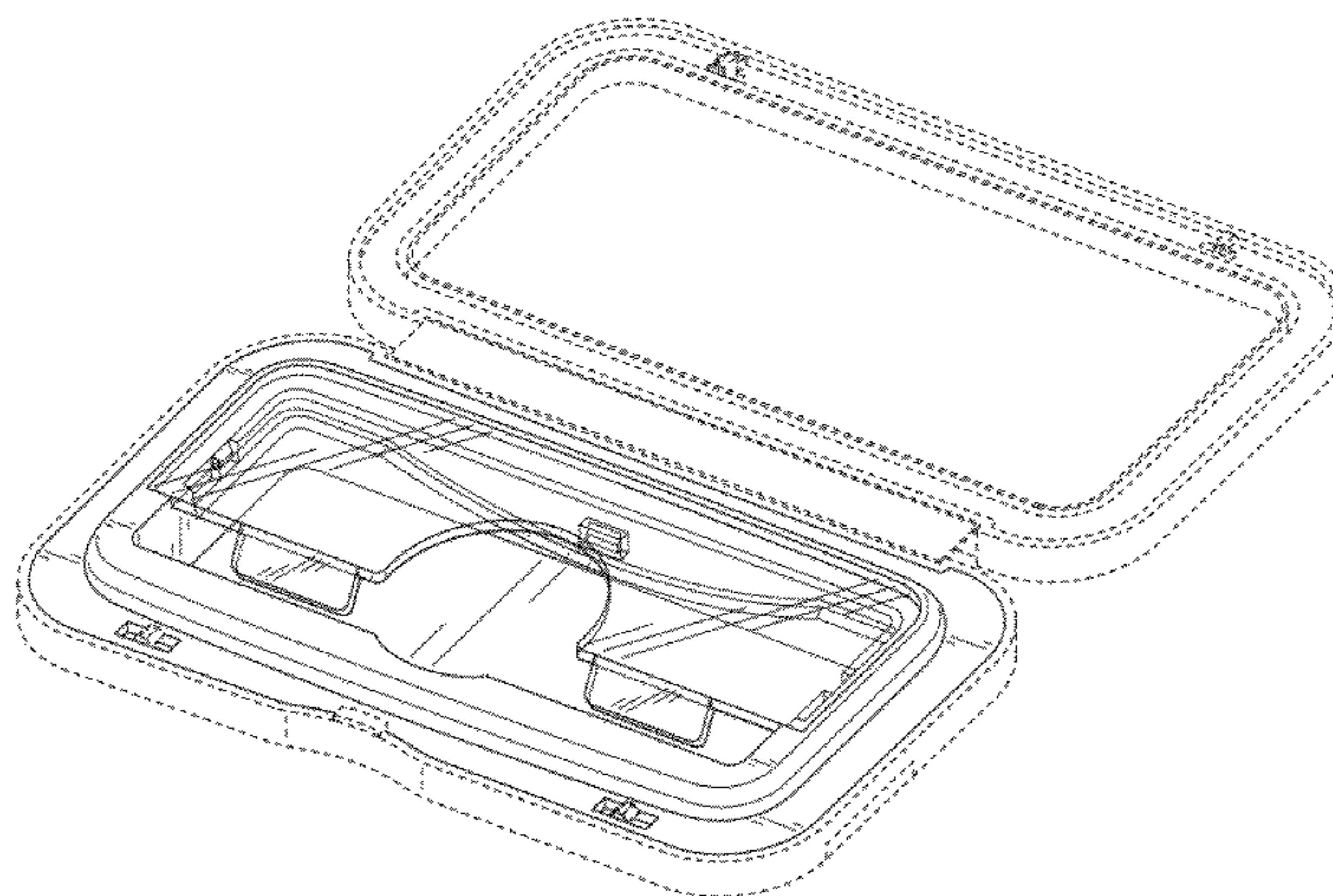
FIG. 3 is a top plan view thereof;

FIG. 4 is an exploded front view thereof; and,

FIG. 5 is an exploded rear view thereof.

The broken lines shown herein depict environmental subject matter only and form no part of the claimed design.

**1 Claim, 5 Drawing Sheets**



# US D677,163 S

Page 2

## U.S. PATENT DOCUMENTS

5,897,025	A	4/1999	Flewitt et al.	
5,909,822	A	6/1999	George et al.	
5,915,560	A	6/1999	George et al.	
6,131,765	A	10/2000	Barry et al.	
6,155,454	A	12/2000	George et al.	
D444,058	S	6/2001	Hampshire et al.	
6,267,265	B1	7/2001	Issa	
6,460,693	B1	10/2002	Harrold	
6,527,138	B2	3/2003	Pawlo et al.	
6,758,338	B2	7/2004	Lien	
D495,545	S	9/2004	Niehues	
6,863,175	B2	3/2005	Gelardi	
6,913,149	B2	7/2005	Gelardi et al.	
6,976,576	B2	12/2005	Intini	
D531,499	S	11/2006	Zaidman	
7,159,720	B2	1/2007	Pearson	
7,216,776	B2	5/2007	Gelardi	
7,288,745	B2	10/2007	Colonna	
7,353,969	B2	4/2008	McHutchinson	
D572,588	S	7/2008	Osborn et al.	
D589,798	S	4/2009	Liipola	
D595,056	S	6/2009	Pettersson	
7,565,969	B2	7/2009	He	
7,588,149	B2	9/2009	Gelardi	
D608,593	S	1/2010	Follansbee et al.	
7,712,630	B2	5/2010	He	
D631,353	S	1/2011	Gelardi et al.	
D631,354	S	1/2011	Gelardi et al.	
D631,747	S	2/2011	Gelardi et al.	
D633,388	S	3/2011	Andre et al.	
D638,297	S	5/2011	Gelardi et al.	
D639,162	S	6/2011	Gelardi et al.	
D639,163	S	6/2011	Gelardi et al.	
8,091,779	B2*	1/2012	Holt et al. ....	235/380
D655,165	S*	3/2012	Jensen et al. ....	D9/456
D660,723	S*	5/2012	Akana et al. ....	D9/737
D661,190	S*	6/2012	Fahy .....	D9/456

D663,205	S*	7/2012	Nelson et al. ....	D9/456
D663,206	S*	7/2012	Nelson et al. ....	D9/456
D667,301	S*	9/2012	Jones et al. ....	D9/456
2002/0096517	A1	7/2002	Gelardi	
2002/0175195	A1	11/2002	Cole	
2004/0217024	A1	11/2004	Arnarp et al.	
2005/0173272	A1	8/2005	Lemmons, IV	
2006/0060480	A1	3/2006	Budd	
2006/0118589	A1	6/2006	Arnarp et al.	
2006/0124658	A1	6/2006	Coe et al.	
2006/0243611	A1	11/2006	Wu	
2007/0068960	A1	3/2007	Valentine et al.	
2007/0163911	A1	7/2007	Gelardi	
2007/0277299	A1	12/2007	Kroon	
2008/0029110	A1	2/2008	Dube et al.	
2008/0029116	A1	2/2008	Robinson et al.	
2008/0035643	A1	2/2008	Hoffman	
2009/0223989	A1	9/2009	Gelardi	
2009/0266837	A1	10/2009	Gelardi et al.	
2010/0018882	A1	1/2010	St. Charles	
2010/0018883	A1	1/2010	Patel	
2010/0084424	A1	4/2010	Gelardi	
2010/0133140	A1	6/2010	Bailey et al.	
2010/0264157	A1	10/2010	Bailey et al.	
2011/0073610	A1	3/2011	Giraud et al.	

## FOREIGN PATENT DOCUMENTS

GB	2 042 476	9/1980
WO	WO 99/48391 A	9/1999
WO	WO 2004/035404 A1	4/2004
WO	WO 2005/016036 A1	2/2005
WO	WO 2005/030606 A1	4/2005
WO	WO 2005/035390 A1	4/2005
WO	WO 2007/017761 A2	2/2007
WO	WO 2007/067953 A2	6/2007
WO	WO 2007/070867 A2	6/2007
WO	WO 2008/070032 A2	6/2008

\* cited by examiner



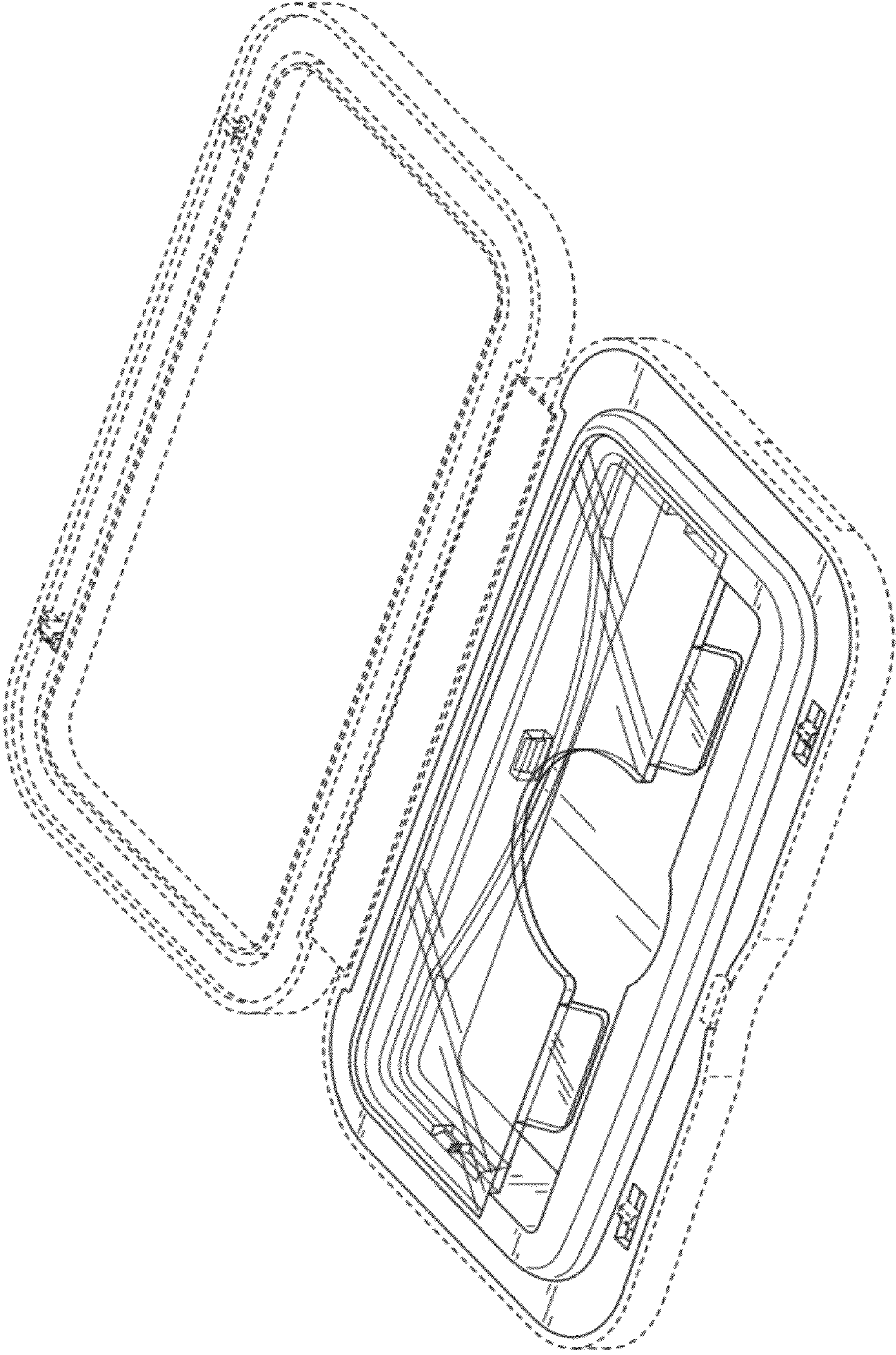


Fig. 1



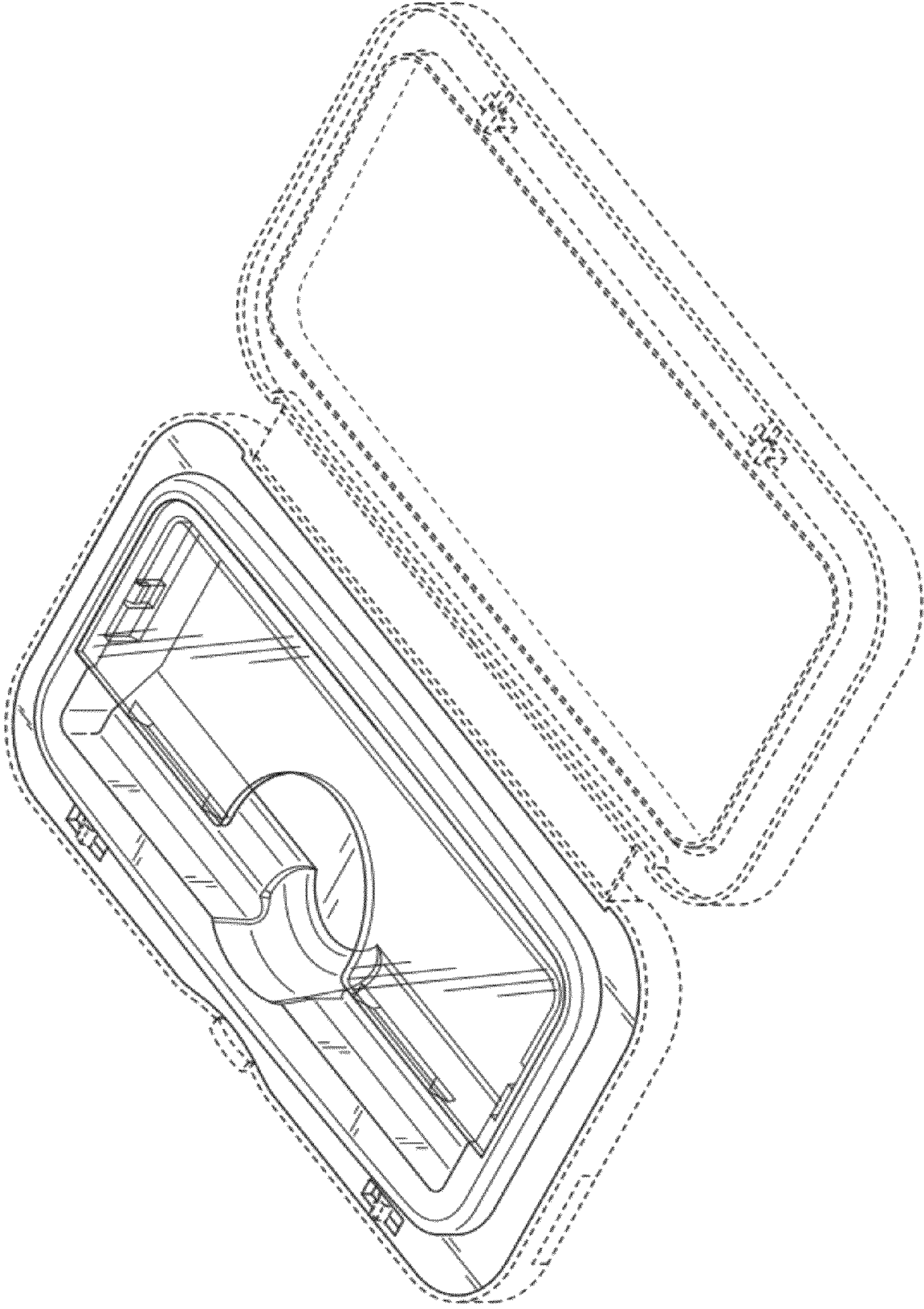


Fig. 2

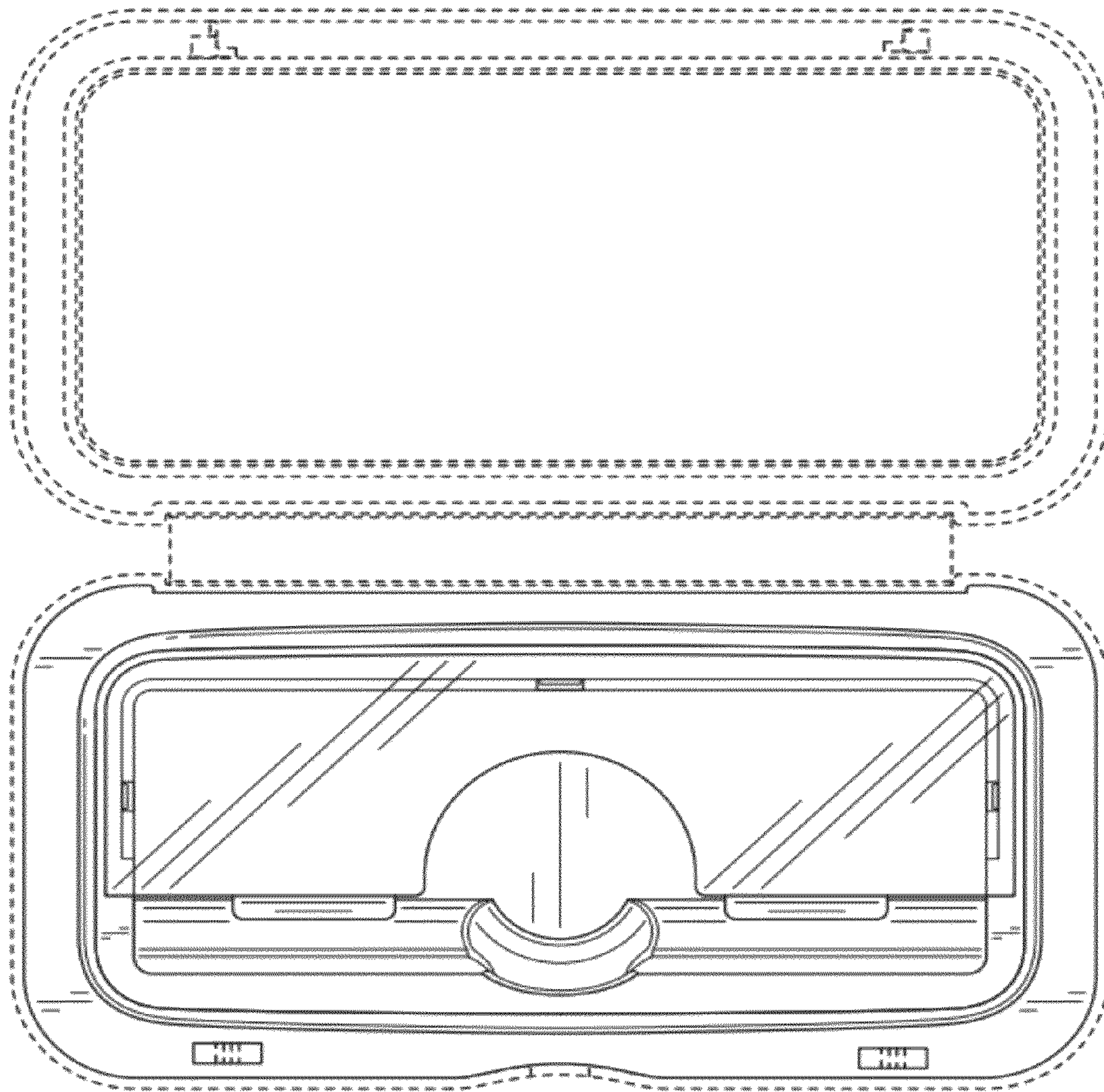


Fig. 3



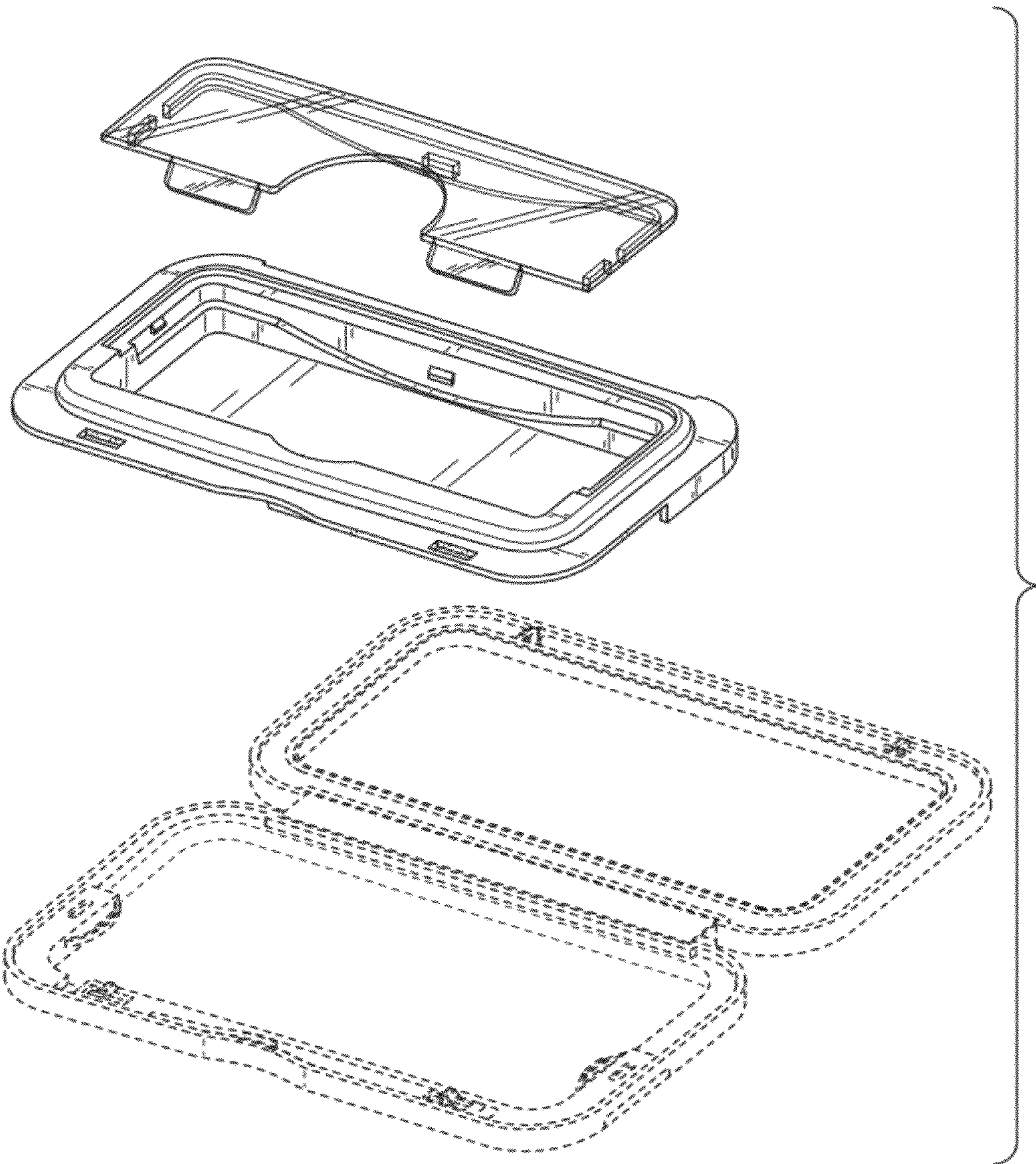


Fig. 4

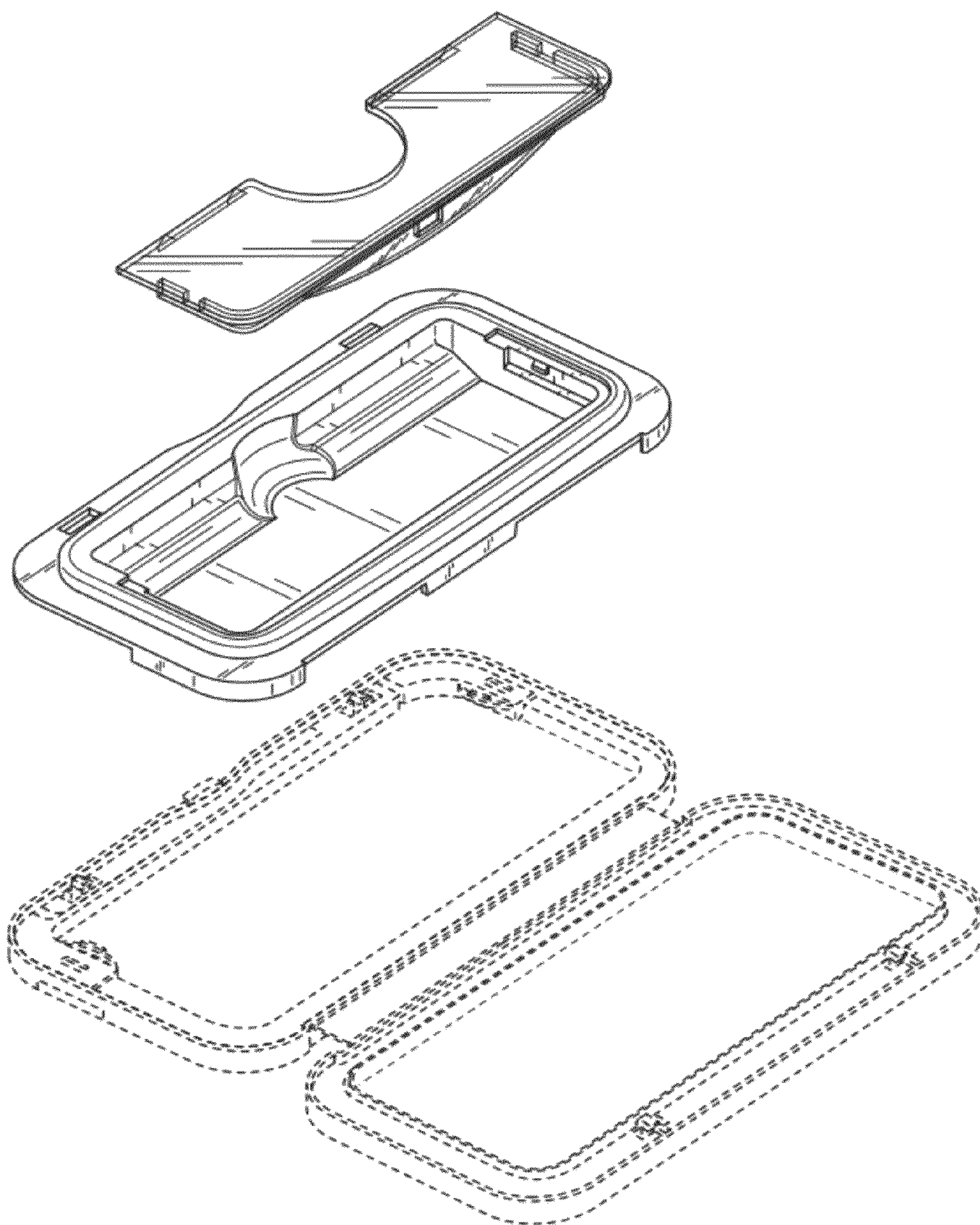


Fig. 5