



US00D677160S

(12) **United States Design Patent**  
**Krause**

(10) **Patent No.:** **US D677,160 S**  
(45) **Date of Patent:** **\*\* Mar. 5, 2013**

(54) **BOTTLE CAP**

(56) **References Cited**

(75) Inventor: **Andrew Krause**, Oxford, MI (US)

U.S. PATENT DOCUMENTS

(73) Assignee: **International IP Holdings LLC**,  
Bloomfield Hills, MI (US)

D113,394	S	*	2/1939	Piluso	.....	D9/453
4,573,601	A	*	3/1986	Berglund	.....	215/252
D542,656	S	*	5/2007	Szczesniak	.....	D9/453
D577,999	S	*	10/2008	Pivert	.....	D9/453
D586,213	S	*	2/2009	Wells et al.	.....	D9/453
D603,261	S	*	11/2009	Arnell et al.	.....	D9/453
D634,200	S	*	3/2011	Taber et al.	.....	D9/453
2009/0020494	A1	*	1/2009	Seelhofer	.....	215/252
2010/0072163	A1		3/2010	Krause		

(\*\*) Term: **14 Years**

(21) Appl. No.: **29/418,229**

(22) Filed: **Apr. 13, 2012**

\* cited by examiner

**Related U.S. Application Data**

(62) Division of application No. 12/476,475, filed on Jun. 2, 2009, now abandoned.

*Primary Examiner* — Sandra Morris

(51) **LOC (9) Cl.** ..... **09-07**

(74) *Attorney, Agent, or Firm* — Oakland Law Group, PLLC

(52) **U.S. Cl.** ..... **D9/451**

(57) **CLAIM**

The ornamental design for a bottle cap, as shown.

(58) **Field of Classification Search** ..... D9/600,  
D9/655-664, 500-504, 516, 434, 451-454;  
D7/392.1, 511, 514-516; D3/270-271.1;  
206/494, 457, 527; 220/890; 215/230, 252,  
215/329

**DESCRIPTION**

FIG. 1 is an orthogonal top view of a bottle cap showing my new design; and,  
FIG. 2 is an orthogonal bottom view thereof.

See application file for complete search history.

**1 Claim, 1 Drawing Sheet**



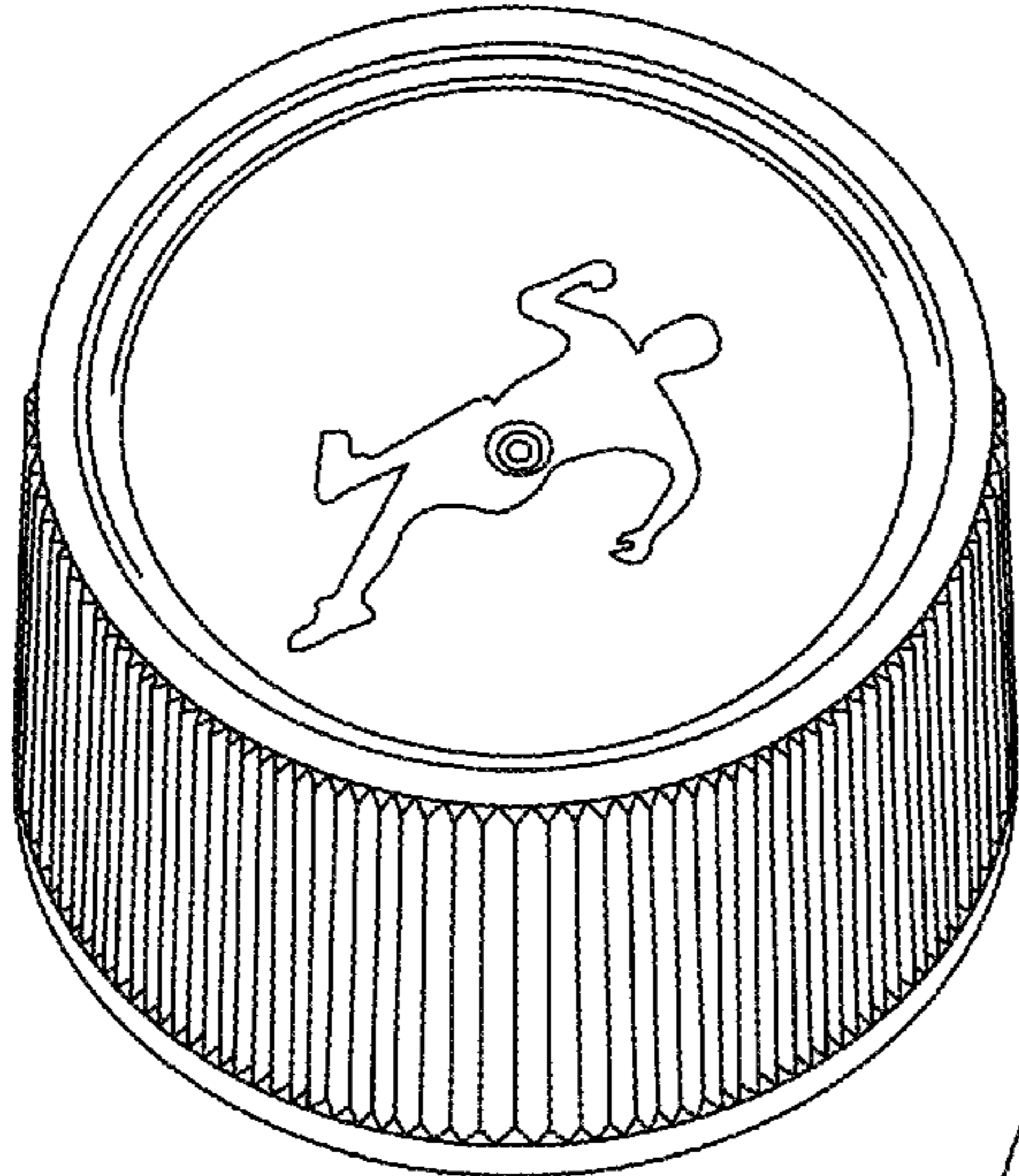


FIG - 1

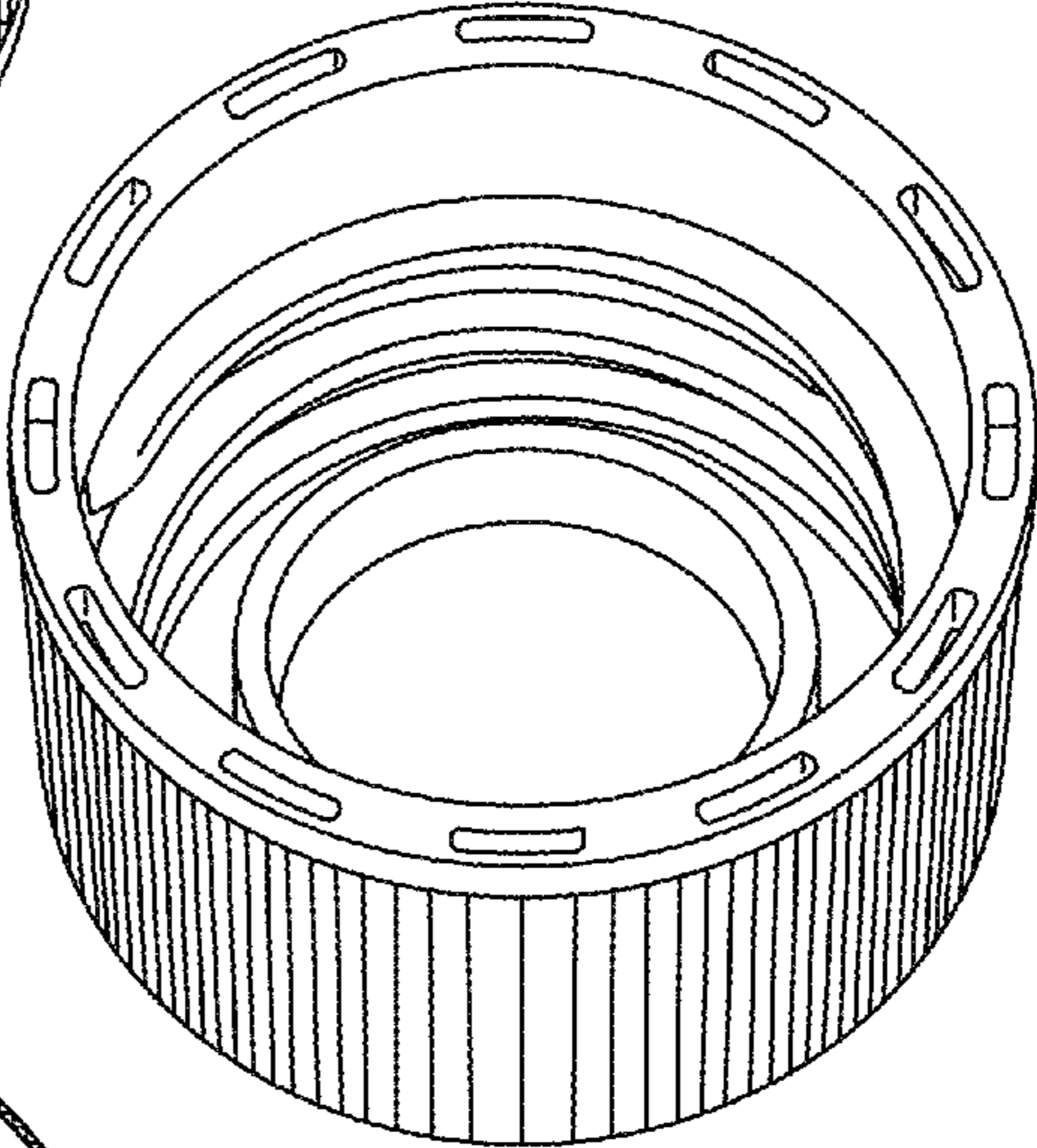


FIG - 2

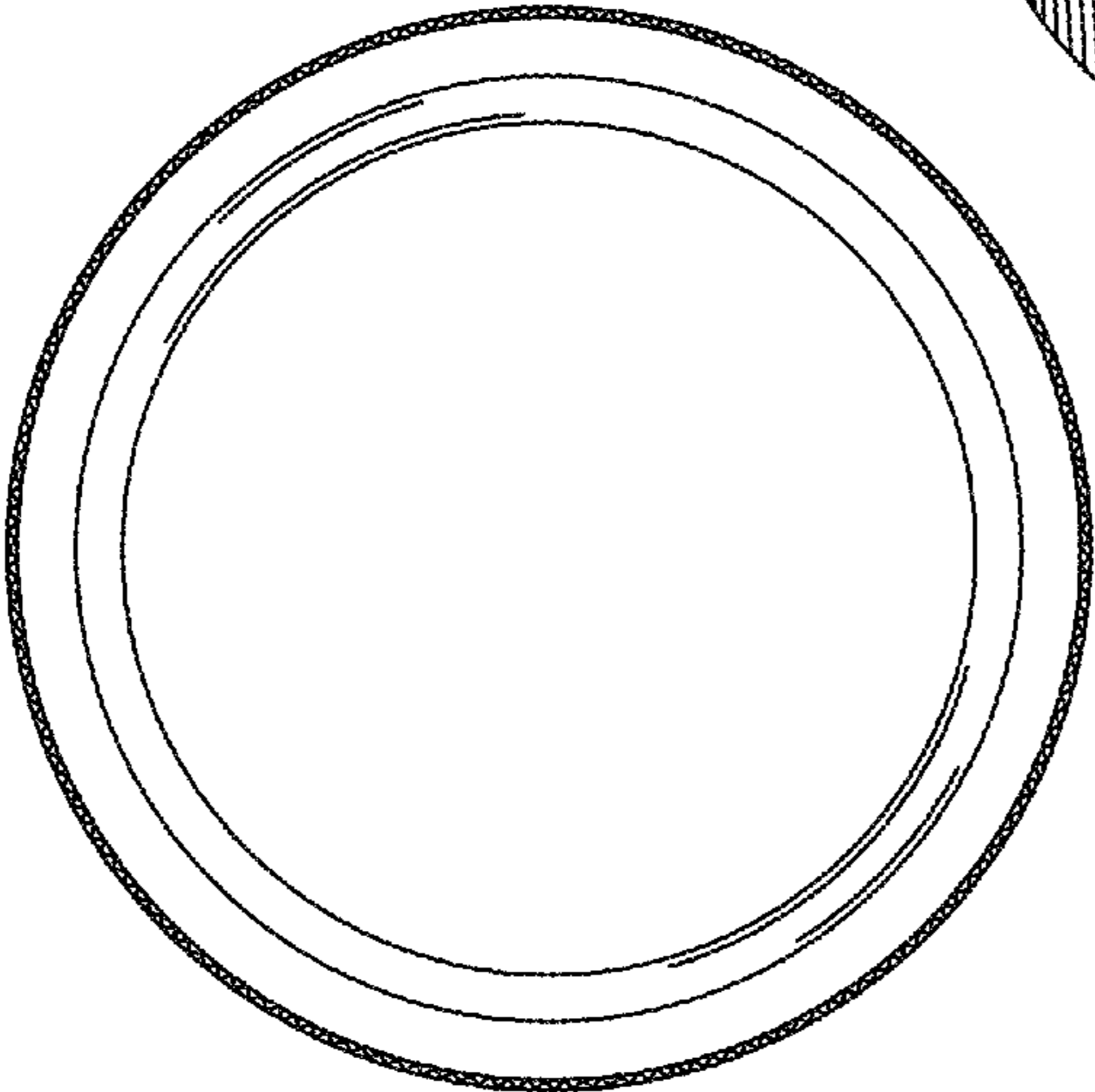


FIG - 3