

US00D677158S

(12) **United States Design Patent**
Delaney et al.

(10) **Patent No.:** **US D677,158 S**
(45) **Date of Patent:** **** Mar. 5, 2013**

(54) **CLOSURE**

(75) Inventors: **Lindsay Delaney**, Chicago, IL (US);
Marcus H. Parsons, Crystal Lake, IL
(US); **H. Stephen Quinn**, Eau Claire, WI
(US)

(73) Assignee: **The Quaker Oats Company**, Chicago,
IL (US)

(**) Term: **14 Years**

(21) Appl. No.: **29/387,309**

(22) Filed: **Mar. 11, 2011**

(51) **LOC (9) Cl.** **09-07**

(52) **U.S. Cl.** **D9/449**

(58) **Field of Classification Search** D9/454,
D9/453, 449, 447, 446, 443, 440, 439, 417;
D7/396.2, 392.1; 222/556, 484; 220/837,
220/715, 259.2, 254.2-254.5; 215/306, 235,
215/236

See application file for complete search history.

(56) **References Cited**

U.S. PATENT DOCUMENTS

1,697,664	A	1/1929	Schweich
2,692,698	A	10/1954	Waterman
D249,931	S	10/1978	Russert
D252,558	S	8/1979	Beck
D311,665	S	10/1990	Carlson
5,083,701	A	1/1992	Passamoni
5,106,015	A	4/1992	Vlasaty et al.
5,115,966	A	5/1992	McKibben et al.
D328,710	S	8/1992	Deflander
5,193,712	A	3/1993	Kuppersbusch
5,350,110	A	9/1994	Will
5,402,933	A	4/1995	Behrmann
D364,344	S	11/1995	Shaw
5,551,629	A	9/1996	Fujimoto
D395,204	S	6/1998	Wood
5,829,637	A	11/1998	Takemura et al.
5,857,614	A	1/1999	Walsh
5,911,359	A	6/1999	Stone et al.
5,957,280	A	9/1999	Focke et al.
D430,025	S	8/2000	Kelsey
6,098,874	A	8/2000	Tokarski
6,131,806	A	10/2000	Hess, III et al.
D433,941	S	11/2000	Kelsey

6,349,866	B1	2/2002	Stewart et al.
6,386,438	B1	5/2002	Walsh et al.
6,419,151	B1	7/2002	Urtubey
D462,806	S	9/2002	Draghetti
6,471,083	B1	10/2002	Helms
6,484,903	B2	11/2002	Spivey et al.
6,484,929	B2	11/2002	Sumpmann et al.
D466,408	S	12/2002	Baerenwald
D466,412	S	12/2002	Baskinger et al.
D485,754	S	1/2004	Fielder et al.
6,715,605	B1	4/2004	Manservigi et al.
D499,341	S	12/2004	Lovison
D502,871	S	3/2005	Ghini et al.
6,929,171	B1	8/2005	Thiersch
6,957,763	B2	10/2005	Huffman et al.

(Continued)

OTHER PUBLICATIONS

Picture downloaded from <http://www.globalpackagegallery.com/main.php/key/U?g2_itemId=61192> on Jul. 8, 2010.

(Continued)

Primary Examiner — Susan Bennett Hattan

(74) *Attorney, Agent, or Firm* — Banner & Witcoff, Ltd.

(57) **CLAIM**

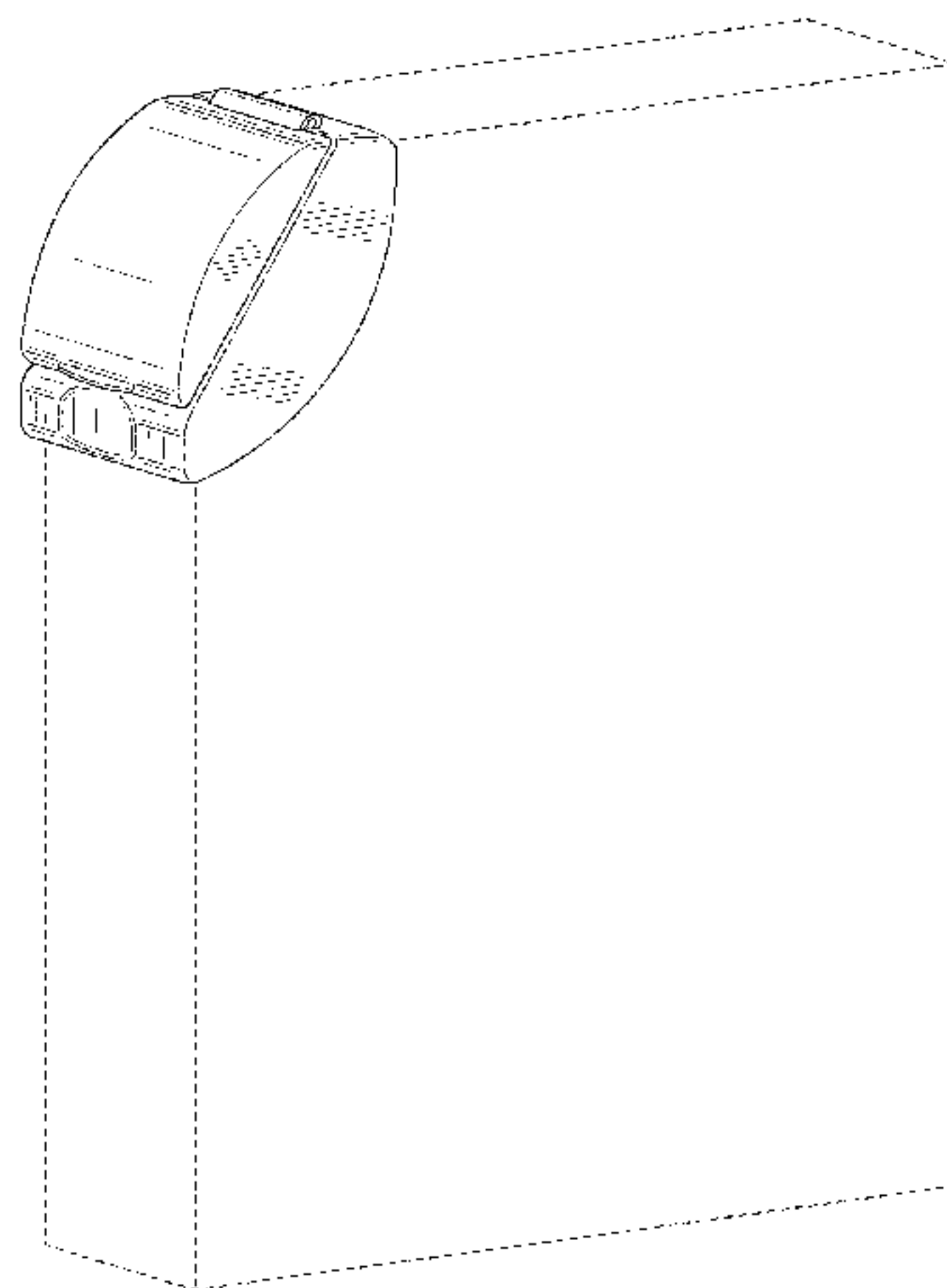
The ornamental design for a closure, as shown and described.

DESCRIPTION

FIG. 1 is a front, left perspective view of a closure showing our new design;
FIG. 2 is a front view thereof;
FIG. 3 is a left side view thereof;
FIG. 4 is a rear view thereof;
FIG. 5 is a right side view thereof;
FIG. 6 is a top view thereof;
FIG. 7 is a bottom view thereof;
FIG. 8 is a front, left perspective view of a closure showing our new design;
FIG. 9 is a front view thereof;
FIG. 10 is a left side view thereof;
FIG. 11 is a rear view thereof;
FIG. 12 is a right side view thereof;
FIG. 13 is a top view thereof; and,
FIG. 14 is a bottom view thereof.

The broken lines depict environmental subject matter only and form no part of the claimed design.

1 Claim, 9 Drawing Sheets



US D677,158 S

Page 2

U.S. PATENT DOCUMENTS

7,017,796 B2 3/2006 Ishikawa
D523,344 S 6/2006 Toth et al.
7,097,092 B1 8/2006 Marrale
D530,447 S 10/2006 Velloni et al.
7,156,228 B2 1/2007 Brizzi et al.
D540,161 S 4/2007 Terrasi
D540,162 S 4/2007 Chin et al.
D545,186 S 6/2007 Liebe et al.
D550,512 S 9/2007 Delsol
D553,500 S 10/2007 Bourghol
D556,035 S 11/2007 Peeters
7,320,399 B2 1/2008 Ghini et al.
D573,889 S 7/2008 Short et al.
D574,246 S 8/2008 Russell et al.
D578,302 S 10/2008 Arvidsson et al.
D584,614 S 1/2009 Russell et al.
D586,221 S 2/2009 Shaikh
7,604,157 B2 10/2009 Zammit et al.
D604,502 S 11/2009 Lee et al.
7,621,438 B2 11/2009 Spivey, Sr.
7,703,666 B2 4/2010 Hand et al.
D615,700 S 5/2010 Borges et al.
7,726,473 B2 6/2010 Miyazawa et al.
D619,425 S 7/2010 Watkins
D637,074 S * 5/2011 Maki et al. D9/417
2002/0148886 A1 10/2002 Miess
2002/0190072 A1 12/2002 Strange
2003/0085265 A1 5/2003 Haim
2005/0189405 A1 9/2005 Gomes et al.

2005/0211754 A1 9/2005 Fulcher
2005/0274086 A1 12/2005 Petrelli et al.
2006/0255110 A1 11/2006 Kaneko
2007/0029371 A1 2/2007 Theelen
2007/0131689 A1 6/2007 Felber
2007/0164029 A1 7/2007 Gelardi et al.
2007/0164093 A1 7/2007 Spivey, Sr. et al.
2007/0187471 A1 8/2007 Ford
2007/0278238 A1 12/2007 Nilsson
2007/0295791 A1 12/2007 Gomes et al.
2007/0295792 A1 12/2007 Zammit et al.
2007/0295795 A1 12/2007 Clougherty
2008/0006680 A1 1/2008 Hernandez et al.
2008/0099546 A1 5/2008 Cronin et al.
2008/0135605 A1 6/2008 Manaige
2009/0045200 A1 2/2009 Nilsson
2009/0050520 A1 2/2009 Cambay
2010/0102109 A1 4/2010 Flecker et al.
2010/0193575 A1 8/2010 Fontaine et al.

OTHER PUBLICATIONS

Pictures downloaded from <http://www.target.com/dp/B0015R2BNG/ref=sc_qi_img_viewdetails?ie=UTF8&title=view%20full%20details> on Jul. 8, 2010.
“TheDieline.com” web page downloaded on Jul. 8, 2010.
“mediabistro.com” web page downloaded on Jul. 8, 2010.
“The Breakfast Bowl” web page downloaded on Jul. 8, 2010.

* cited by examiner

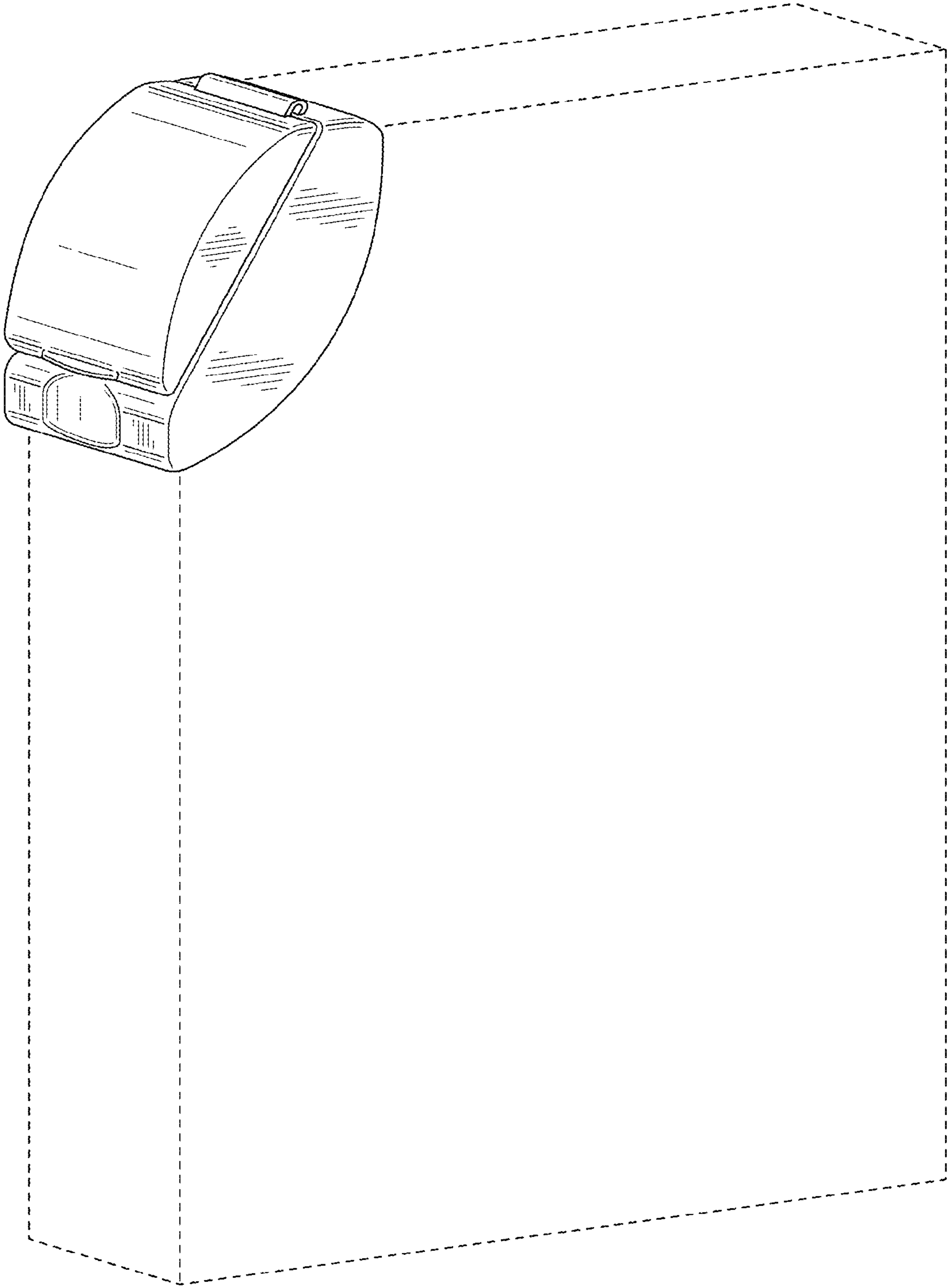


FIG. 1

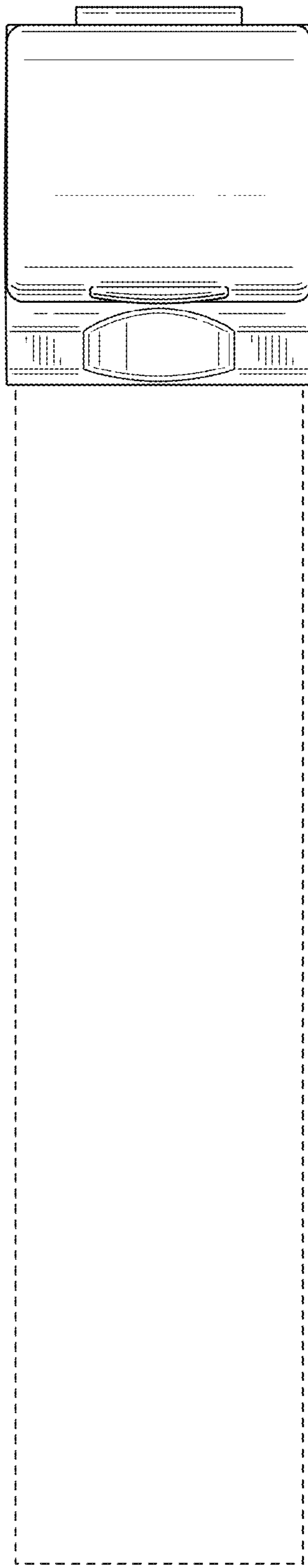


FIG. 2

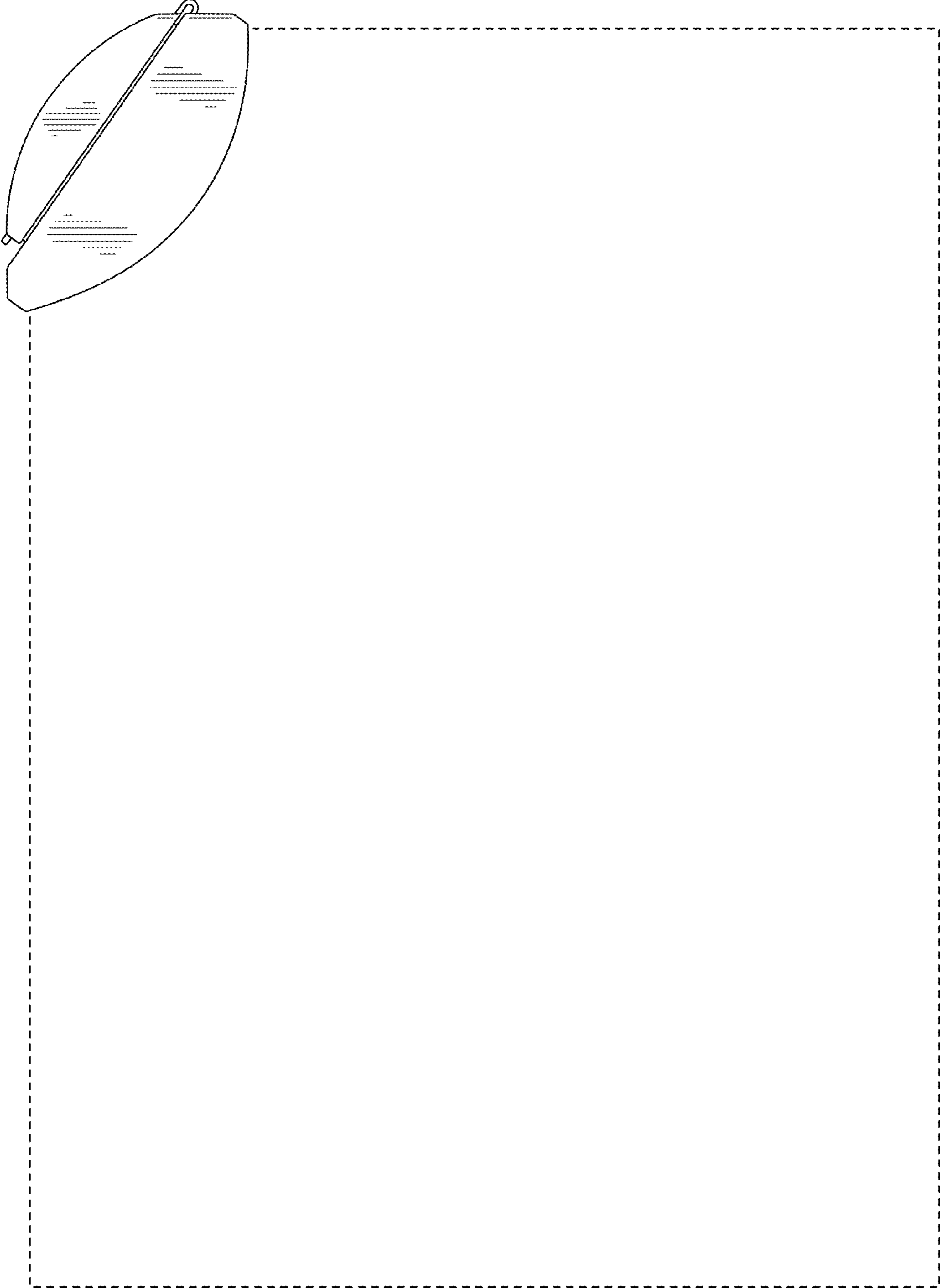


FIG. 3

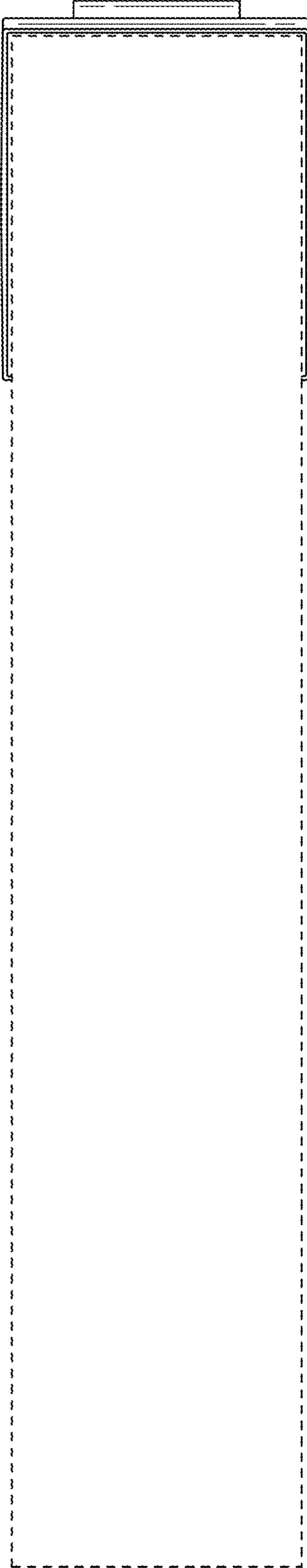


FIG. 4

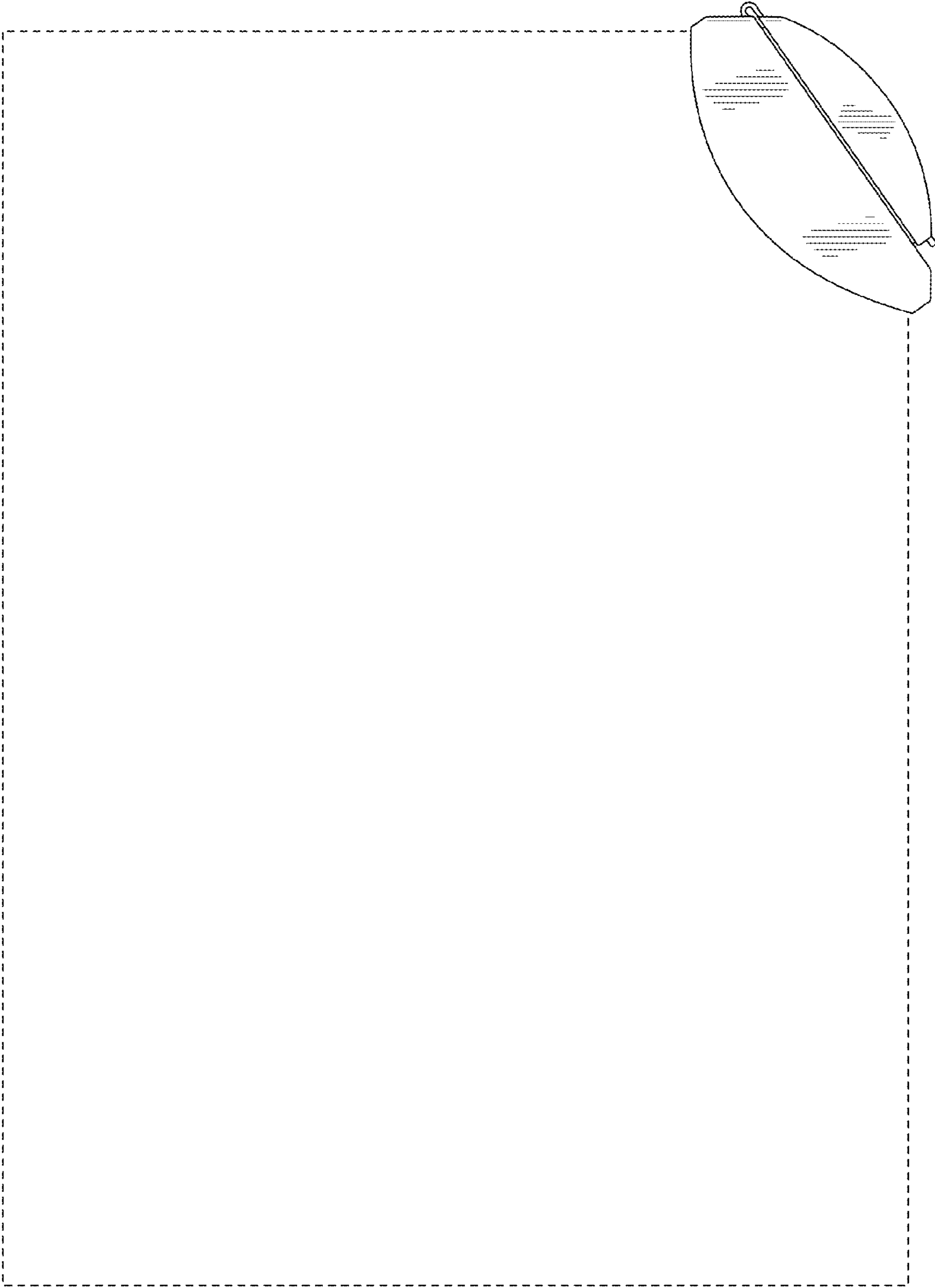


FIG. 5

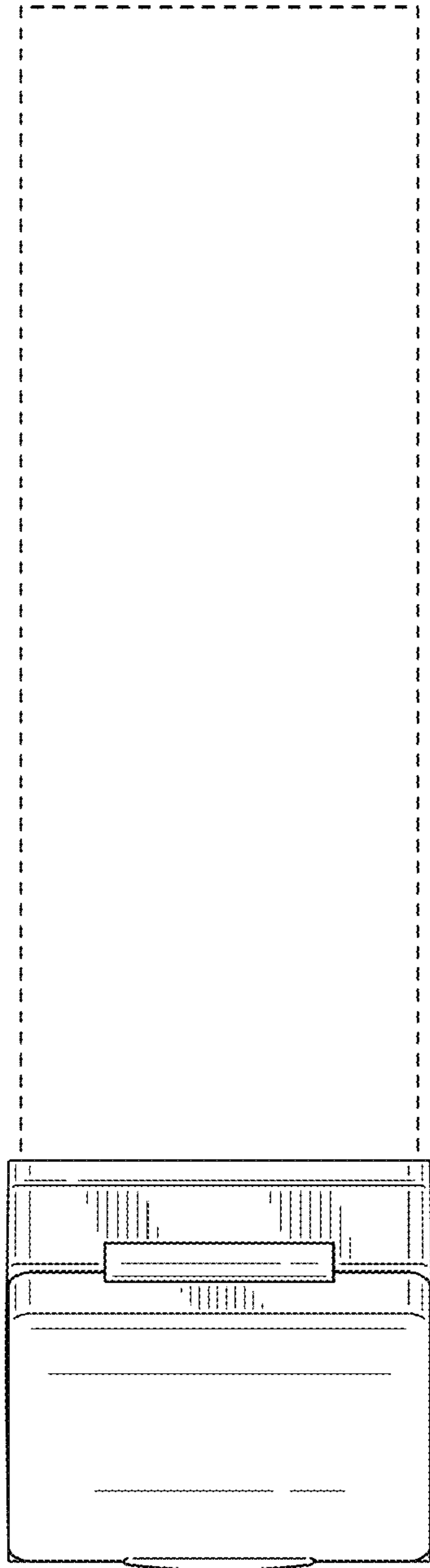


FIG. 6

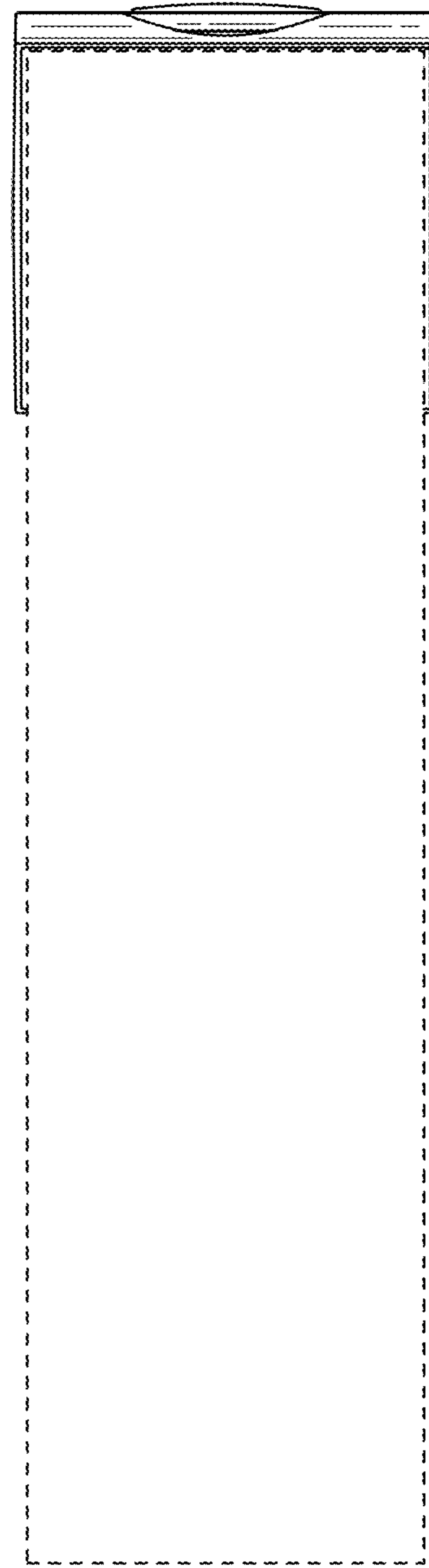


FIG. 7

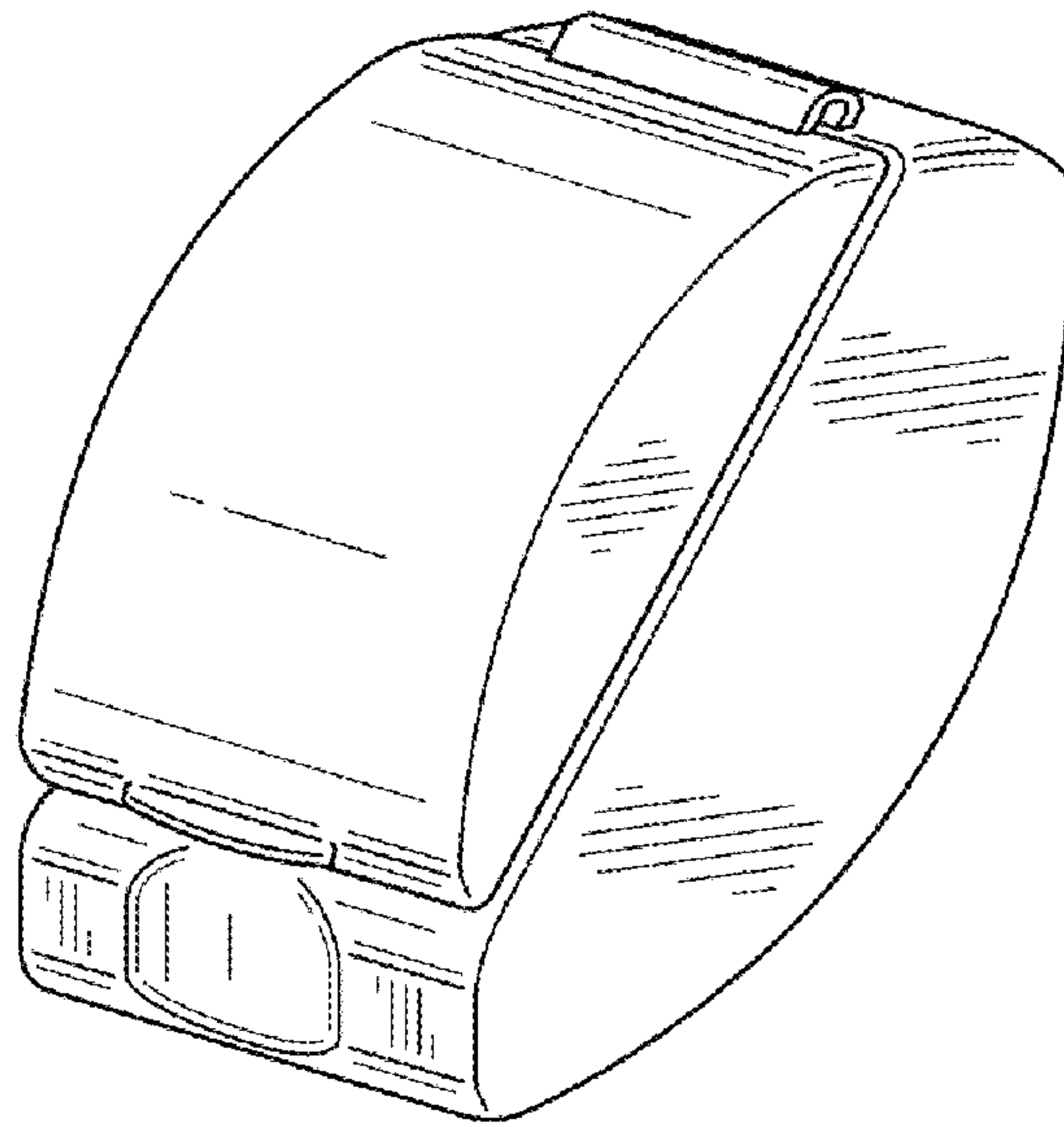


FIG. 8

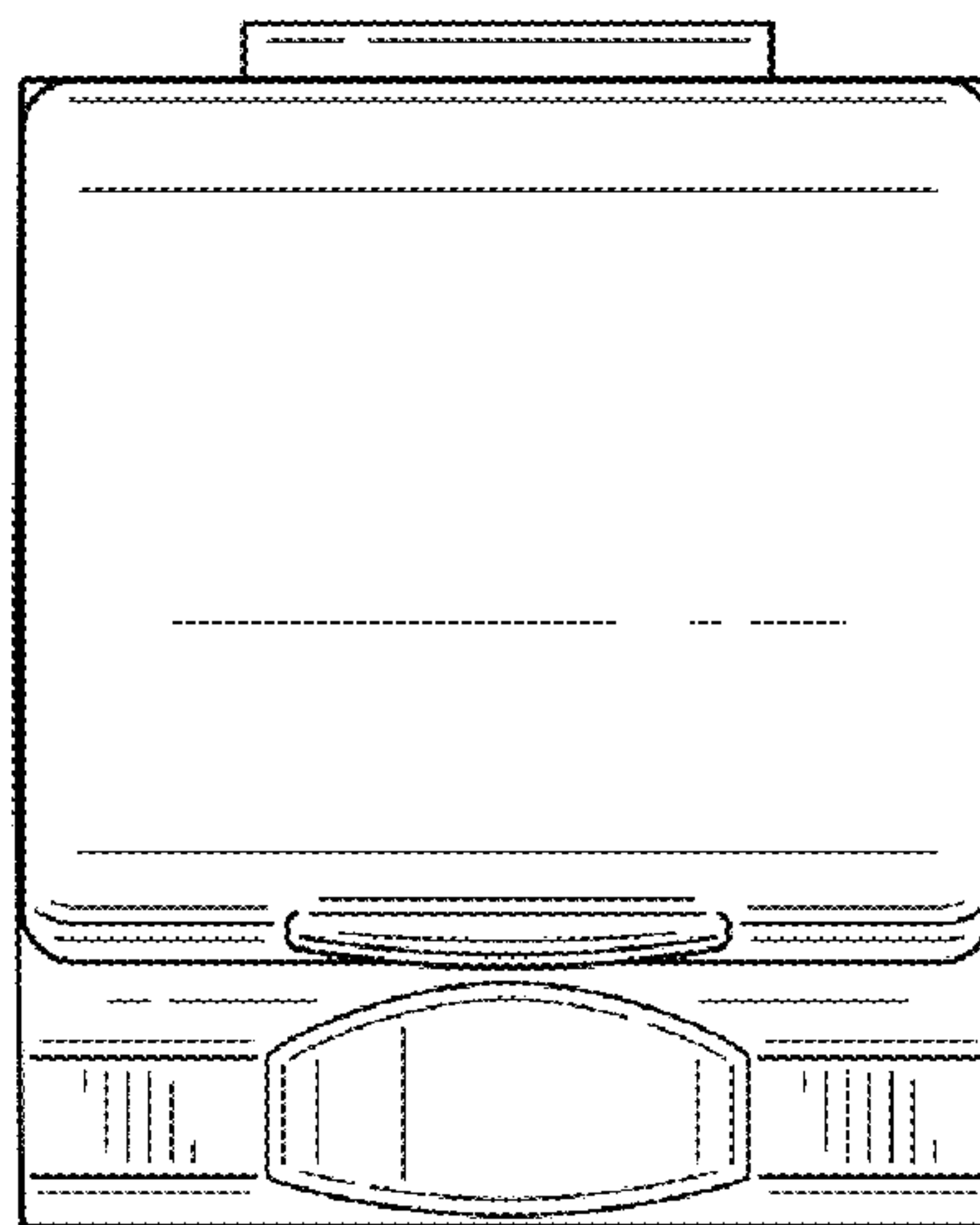


FIG. 9

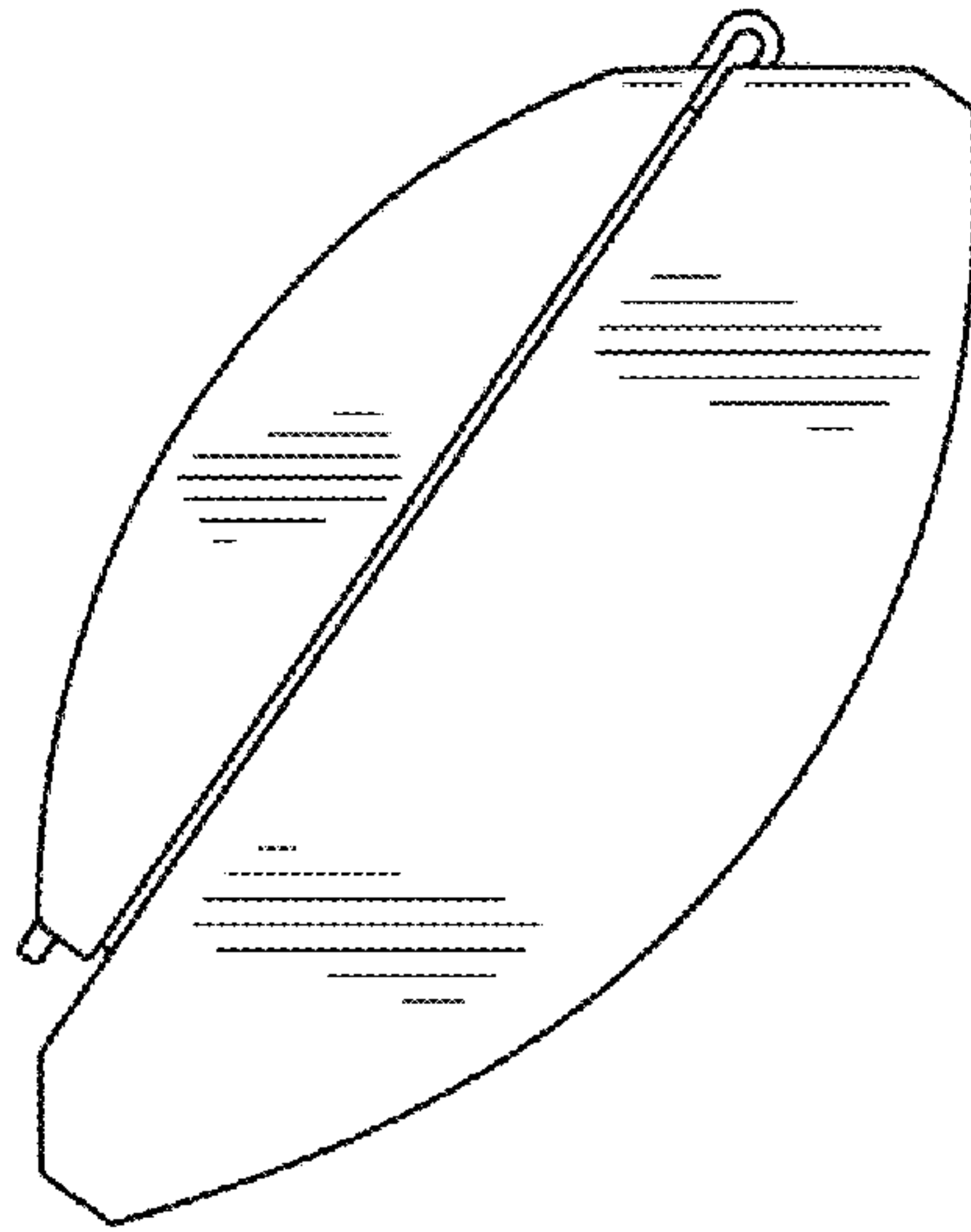


FIG. 10

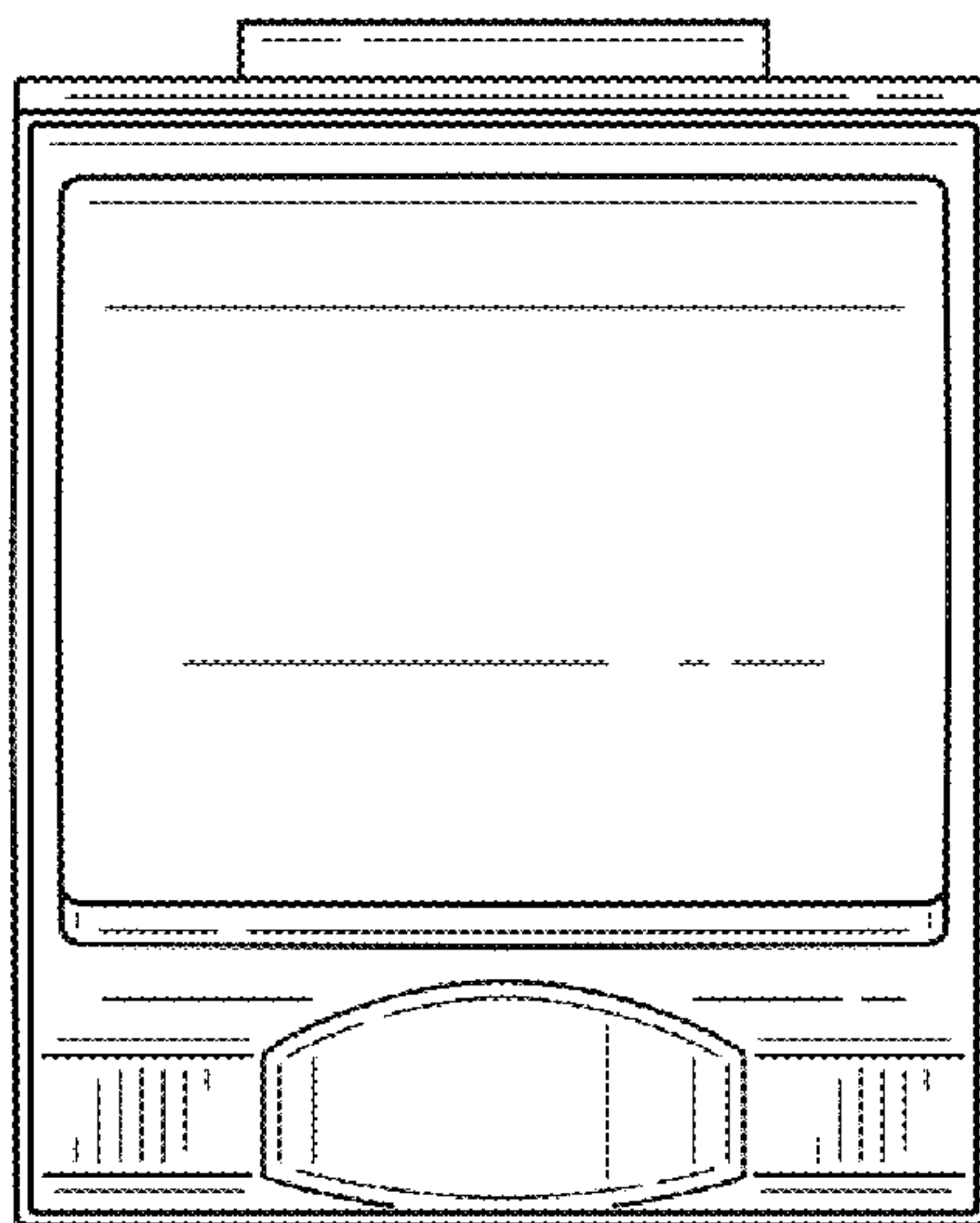


FIG. 11

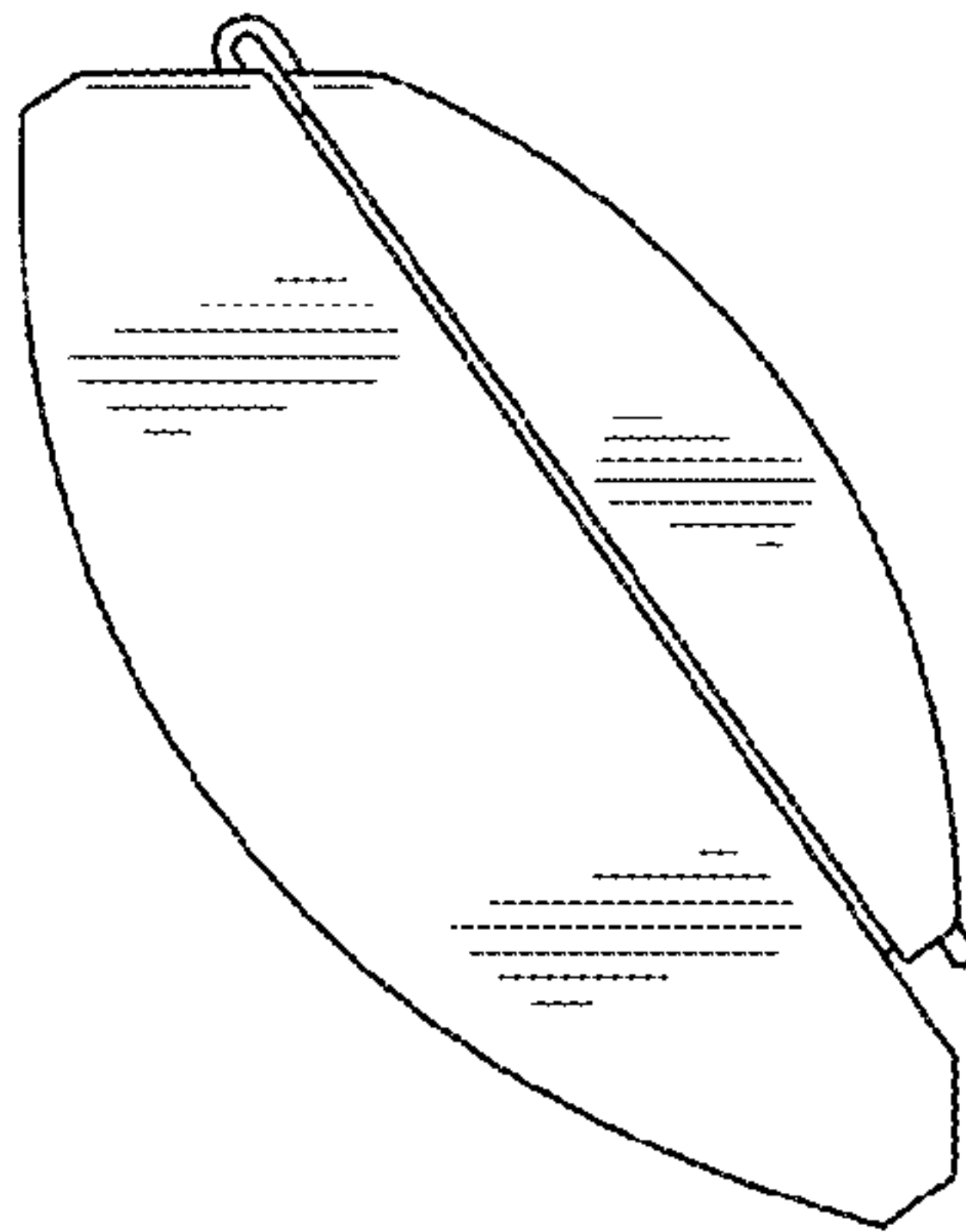


FIG. 12

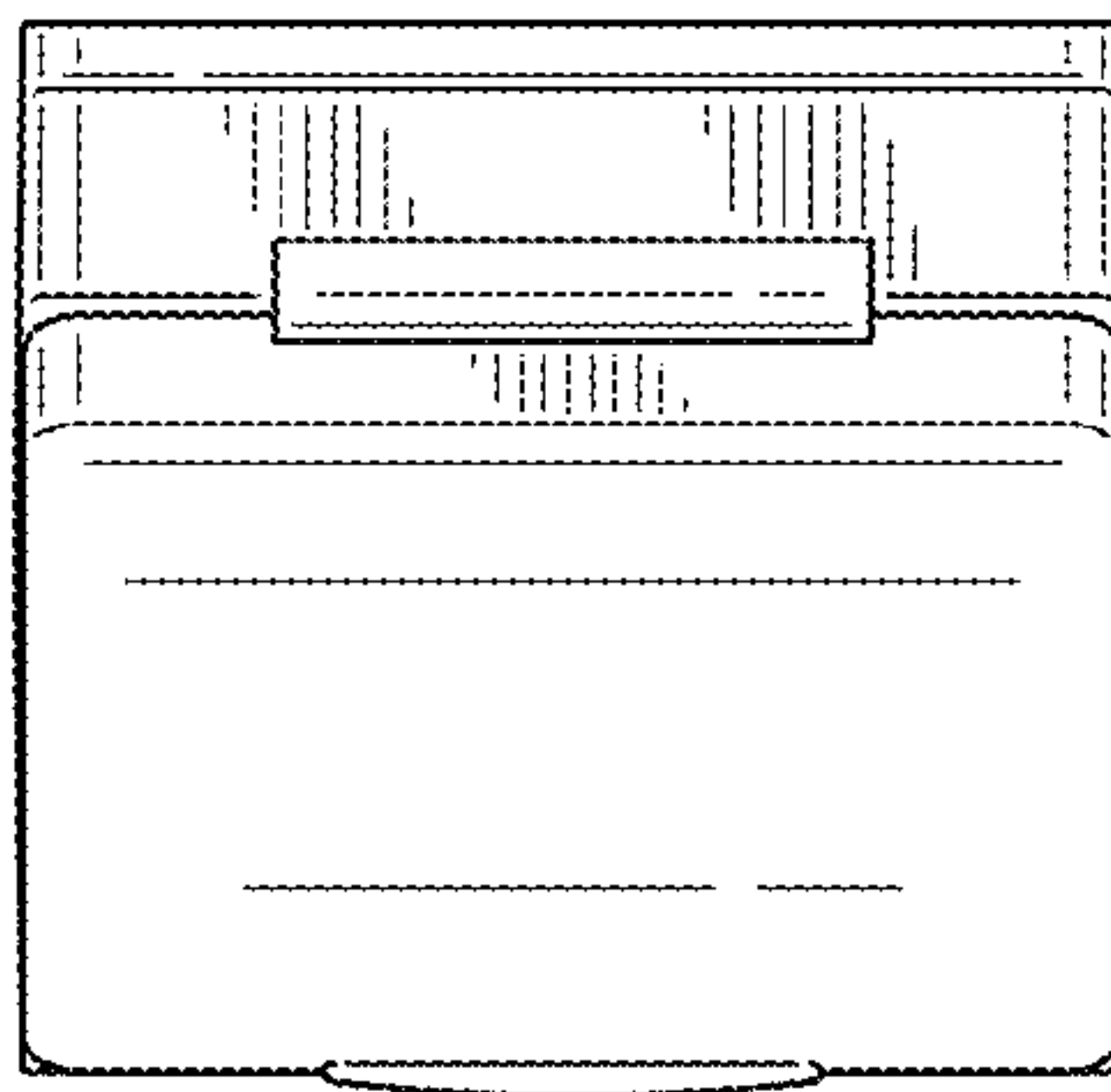


FIG. 13

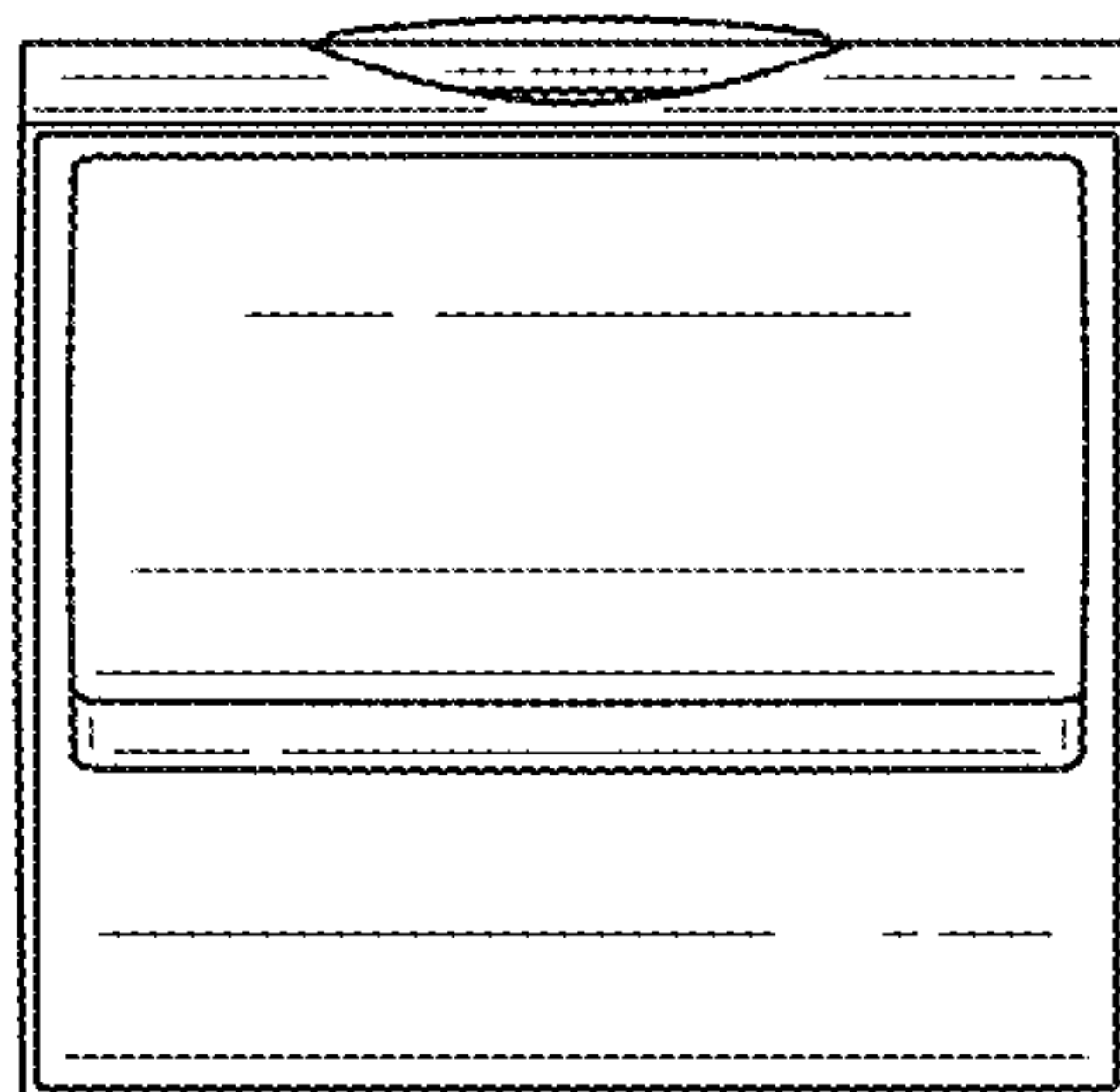


FIG. 14