



US00D677156S

(12) **United States Design Patent**
Wu

(10) **Patent No.:** **US D677,156 S**
(45) **Date of Patent:** **** Mar. 5, 2013**

(54) **FOOD CONTAINER**

FOREIGN PATENT DOCUMENTS

(76) Inventor: **Jingdong Wu**, Taishan (CN)

CN 301602723 7/2011
CN 201130436988.3 11/2011

(**) Term: **14 Years**

* cited by examiner

(21) Appl. No.: **29/407,805**

Primary Examiner — Thomas Johannes

(22) Filed: **Dec. 2, 2011**

(74) *Attorney, Agent, or Firm* — The Farrell Law Firm, P.C.

(51) **LOC (9) Cl.** **09-03**

(52) **U.S. Cl.** **D9/429**

(58) **Field of Classification Search** D9/414,
D9/416, 418, 423, 425, 428–431, 454, 542;
D7/538, 540, 542, 550.1, 565, 584, 602, 629;
206/501–509, 512; 220/4.23–4.24, 23.86,
220/780–781, 791–793, 835, 839; 428/34.1,
428/35.7, 36.5–36.8

See application file for complete search history.

(57) **CLAIM**

The ornamental design for a food container, as shown and described.

DESCRIPTION

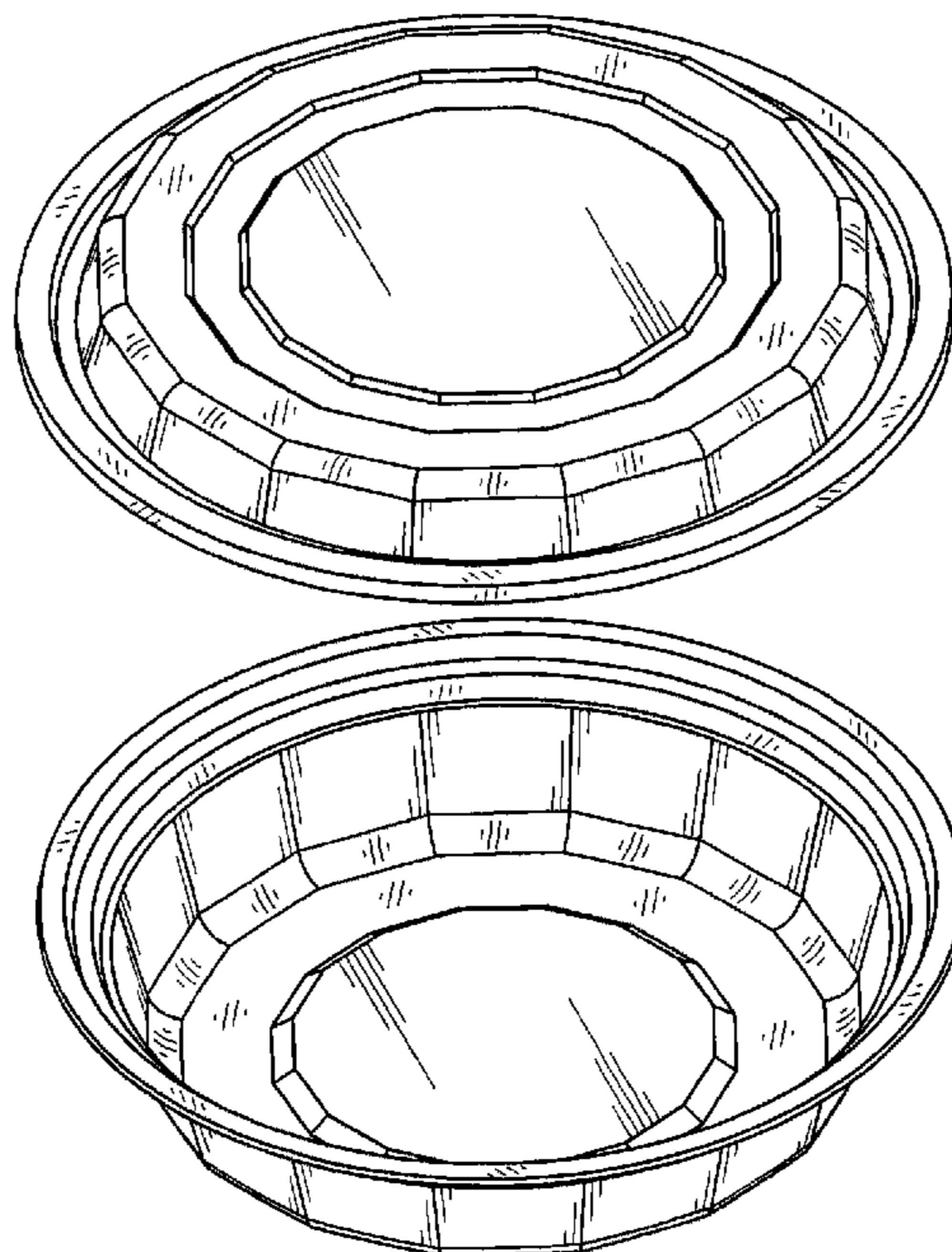
FIG. 1 is a top perspective view of a food container showing my new design with a lid closed;
FIG. 2 is a front view thereof with the lid closed, the rear view, the left side view, and the right side view with the lid closed being identical;
FIG. 3 is a top view thereof;
FIG. 4 is a bottom view thereof;
FIG. 5 is a second top perspective view thereof with the lid closed;
FIG. 6 is a bottom perspective view thereof with the lid closed;
FIG. 7 is a top perspective view thereof with the lid separated;
FIG. 8 is a bottom perspective view thereof with the lid separated; and,
FIG. 9 is a cross section view thereof taken in the direction of line 9-9 of FIG. 1.

(56) **References Cited**

U.S. PATENT DOCUMENTS

D246,289	S	11/1977	Boucher	
D250,929	S	1/1979	Gerstman et al.	
D254,776	S	4/1980	Edwards	
D415,420	S	* 10/1999	Chen	D9/428
D472,113	S	3/2003	Seifert	
D472,773	S	4/2003	Samartgis	
D489,254	S	* 5/2004	Kocis et al.	D9/425
D494,062	S	* 8/2004	Willis	D9/428
D581,781	S	12/2008	Enriquez	
D620,790	S	8/2010	Lovett	
D625,599	S	10/2010	Golota et al.	
D649,448	S	11/2011	Wu	
2006/0175327	A1*	8/2006	Kirkland et al.	220/4.21
2007/0295631	A1*	12/2007	Lin et al.	206/508

1 Claim, 9 Drawing Sheets



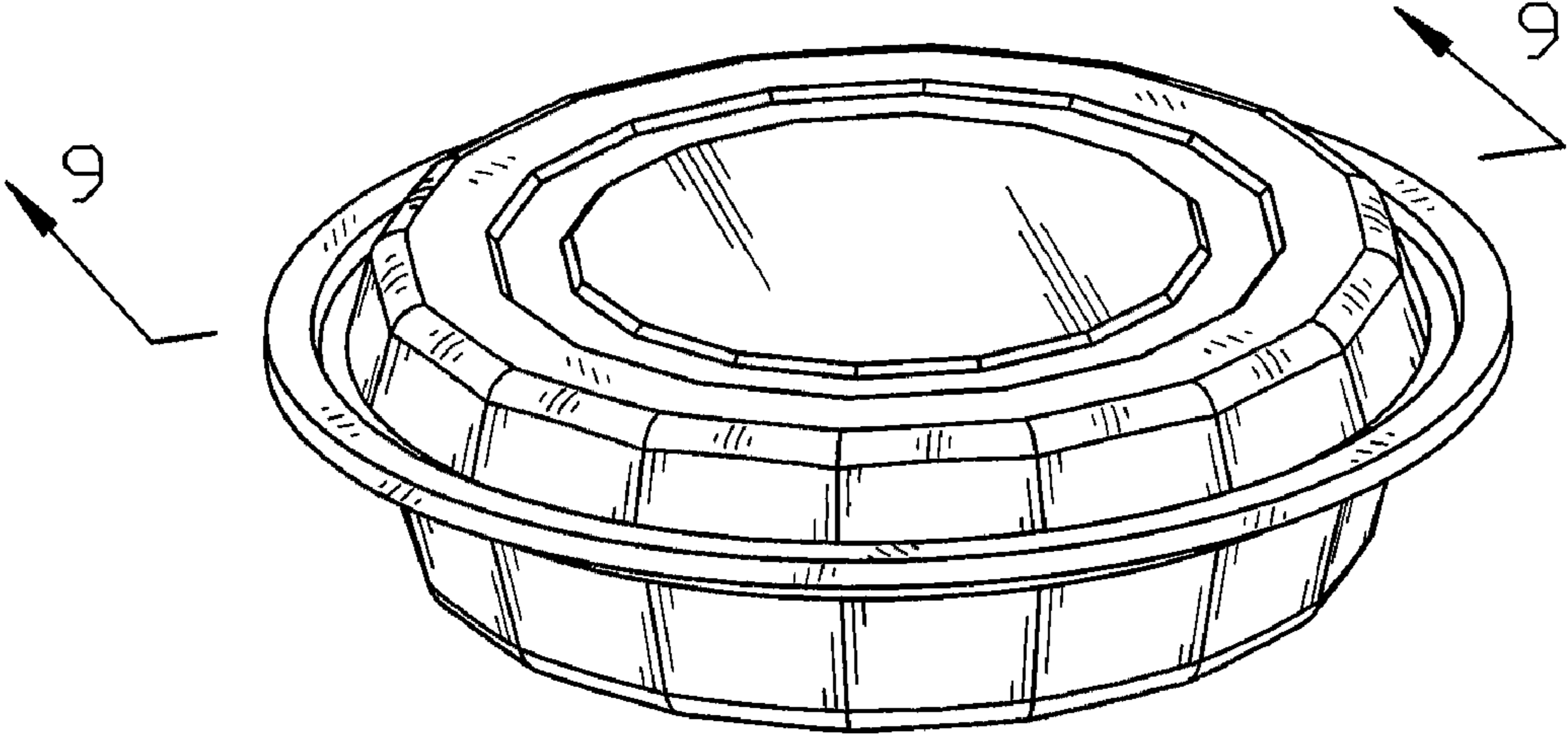


FIG.1

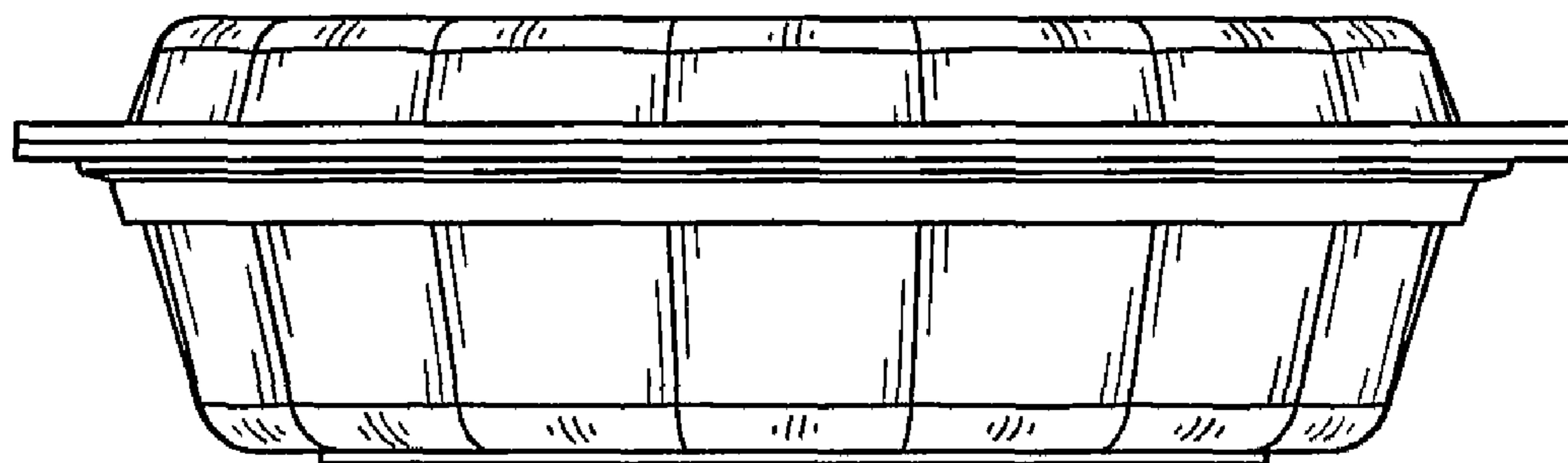


FIG. 2

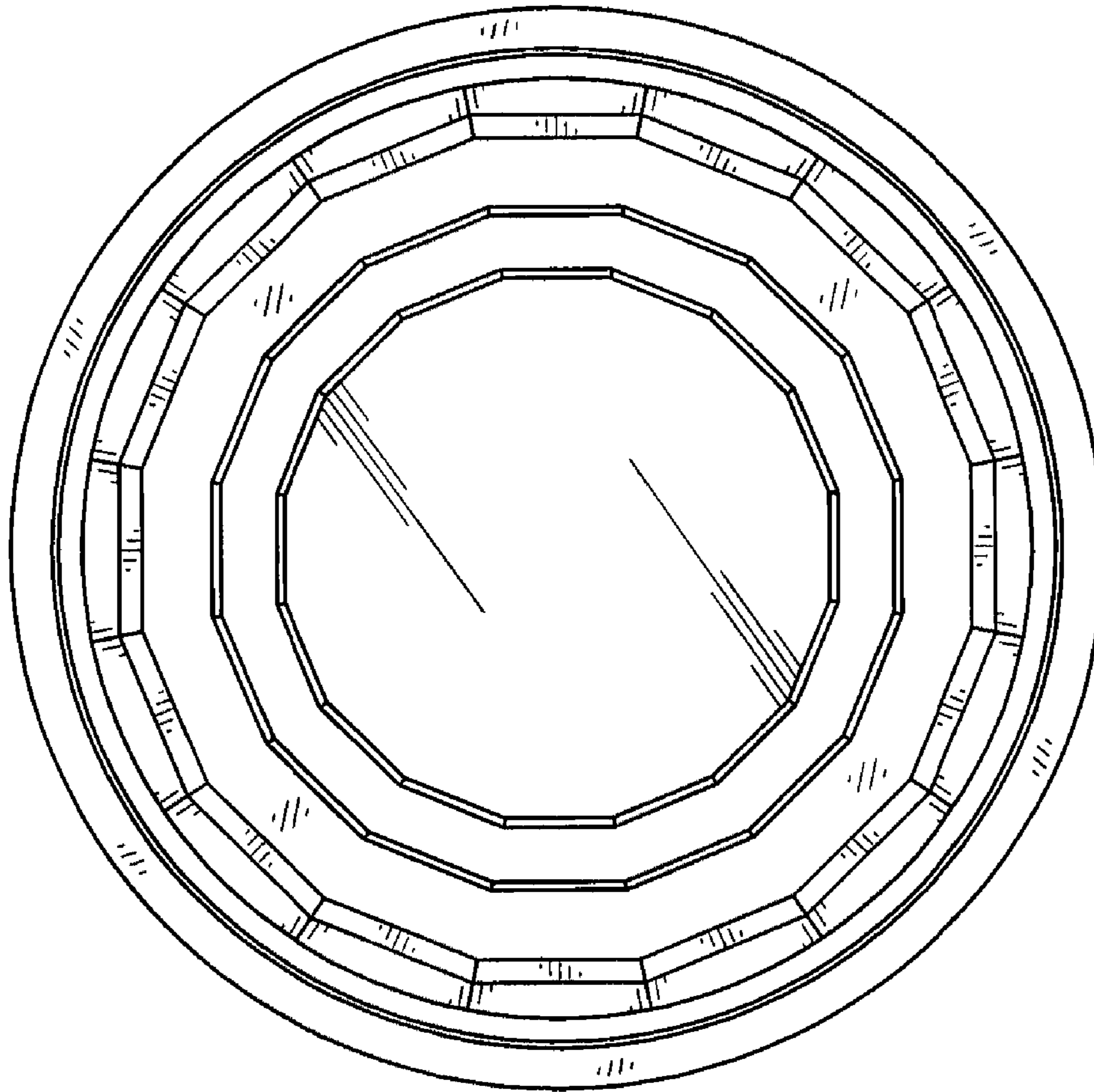


FIG. 3

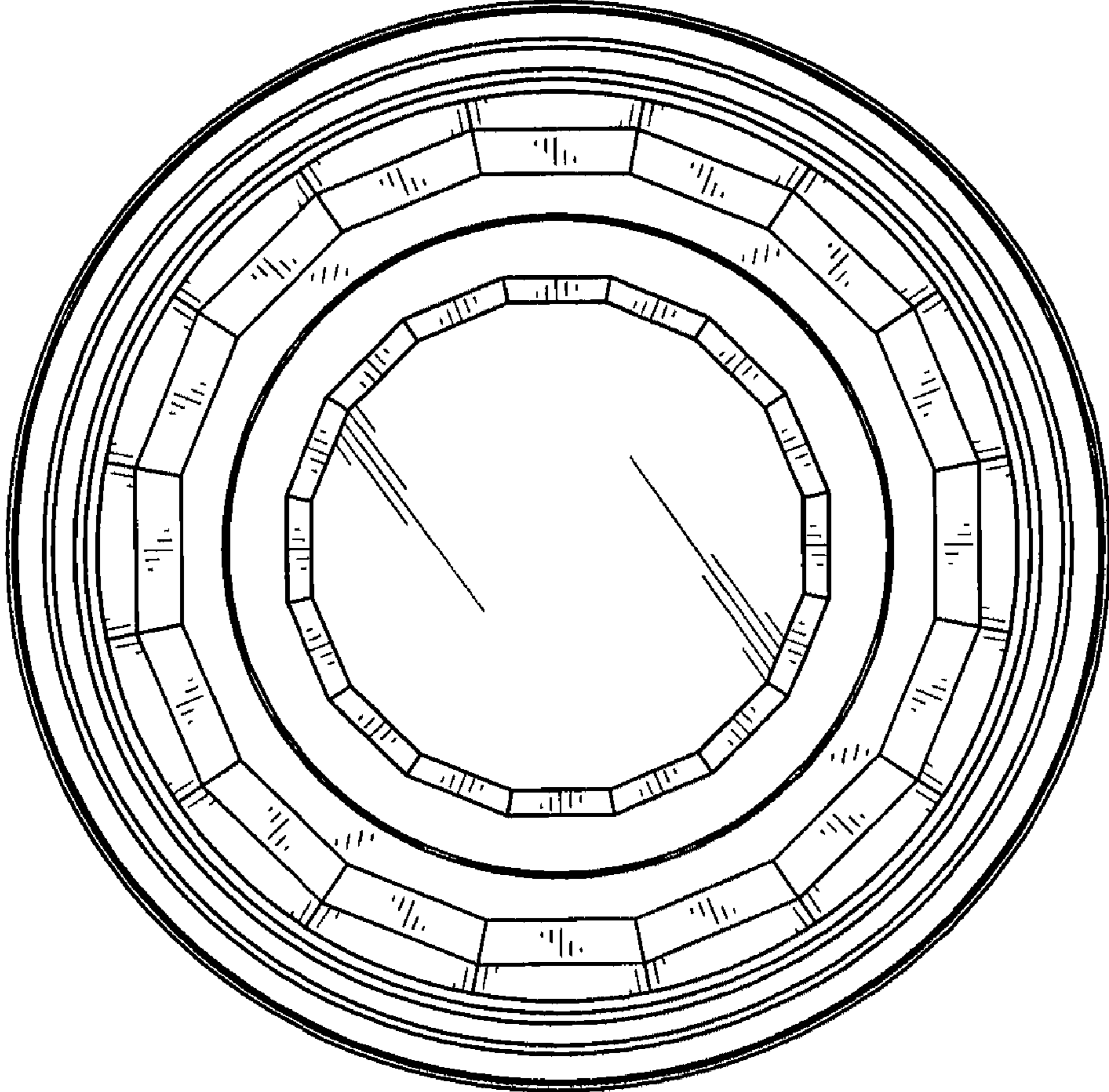


FIG. 4

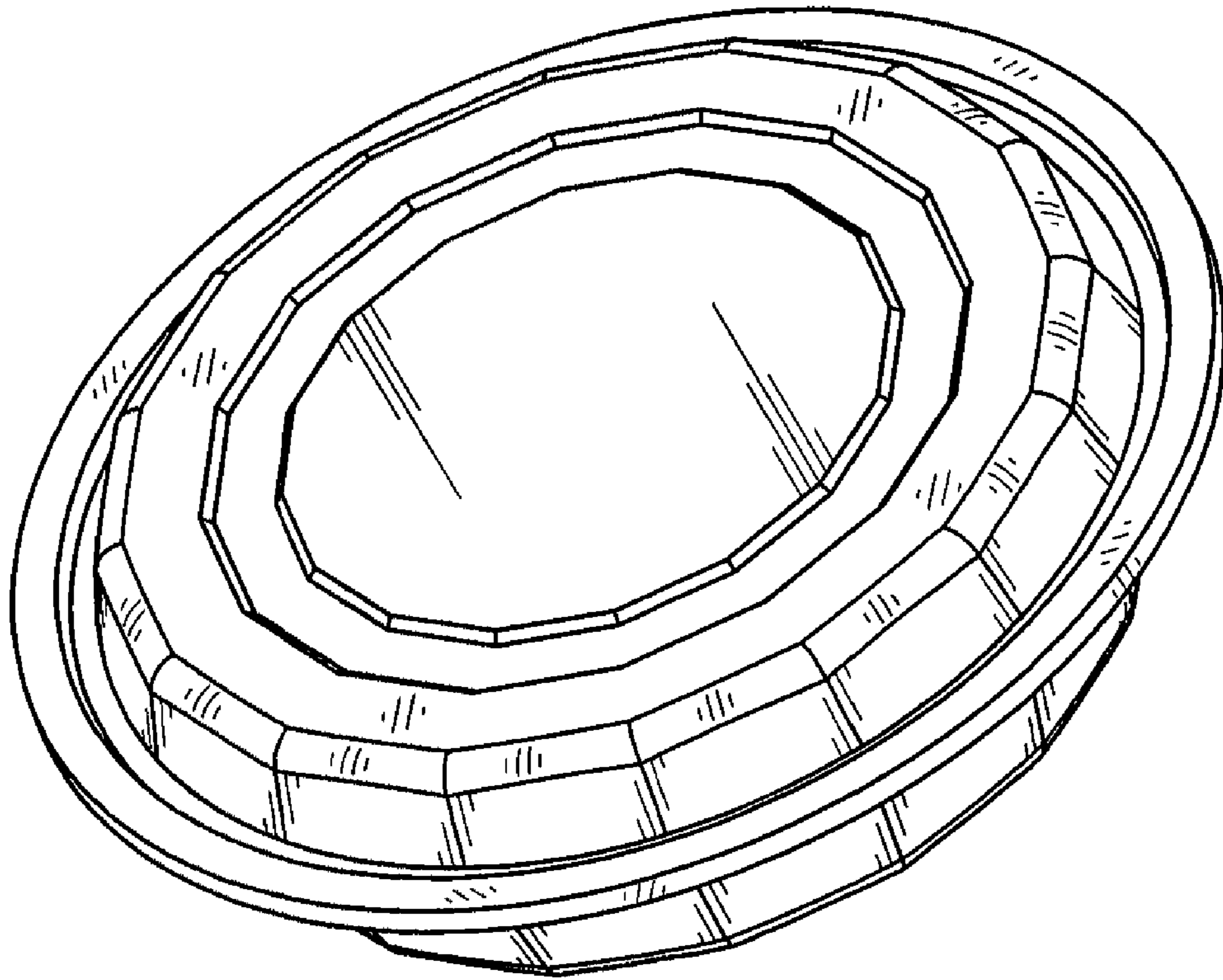


FIG. 5

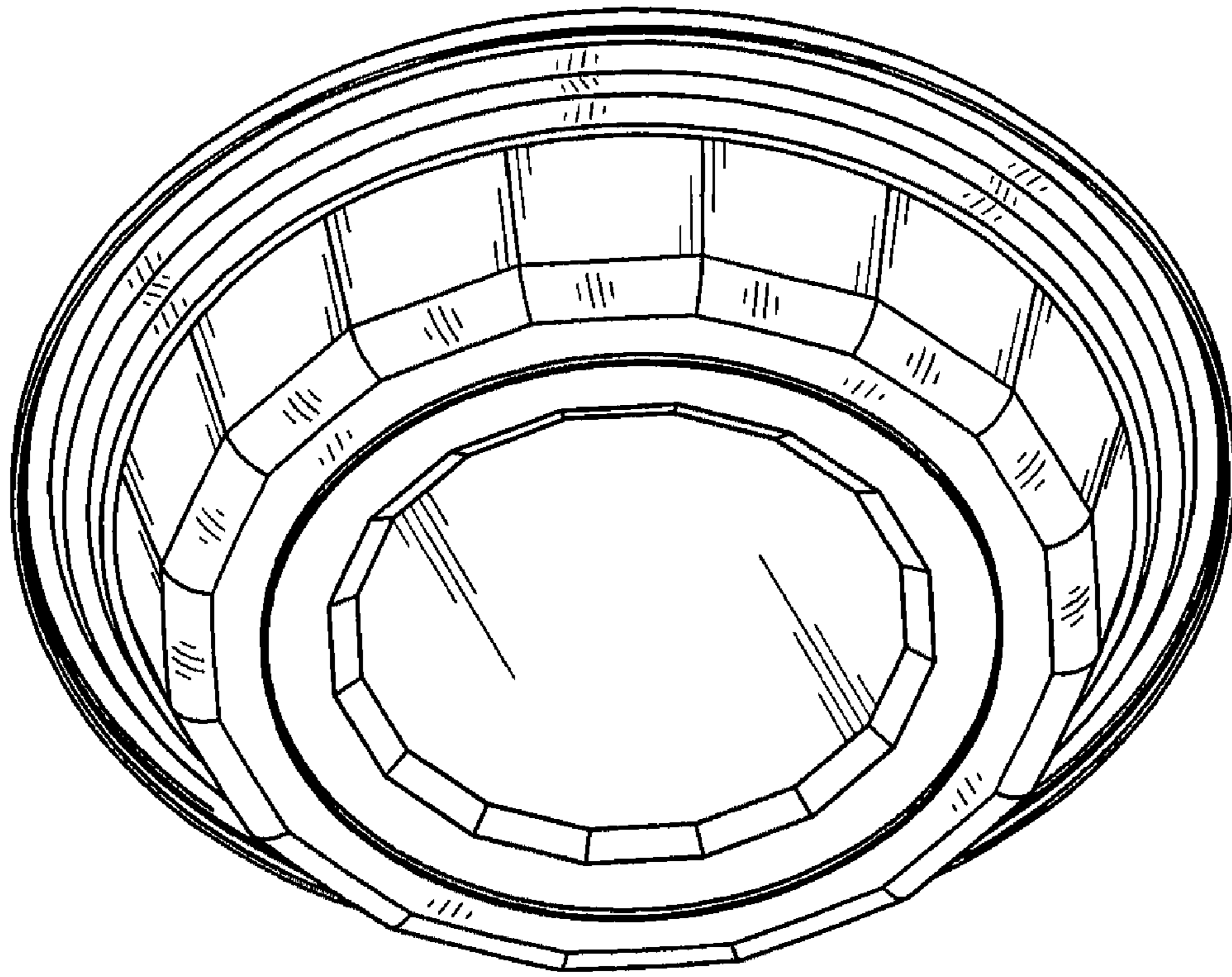


FIG. 6

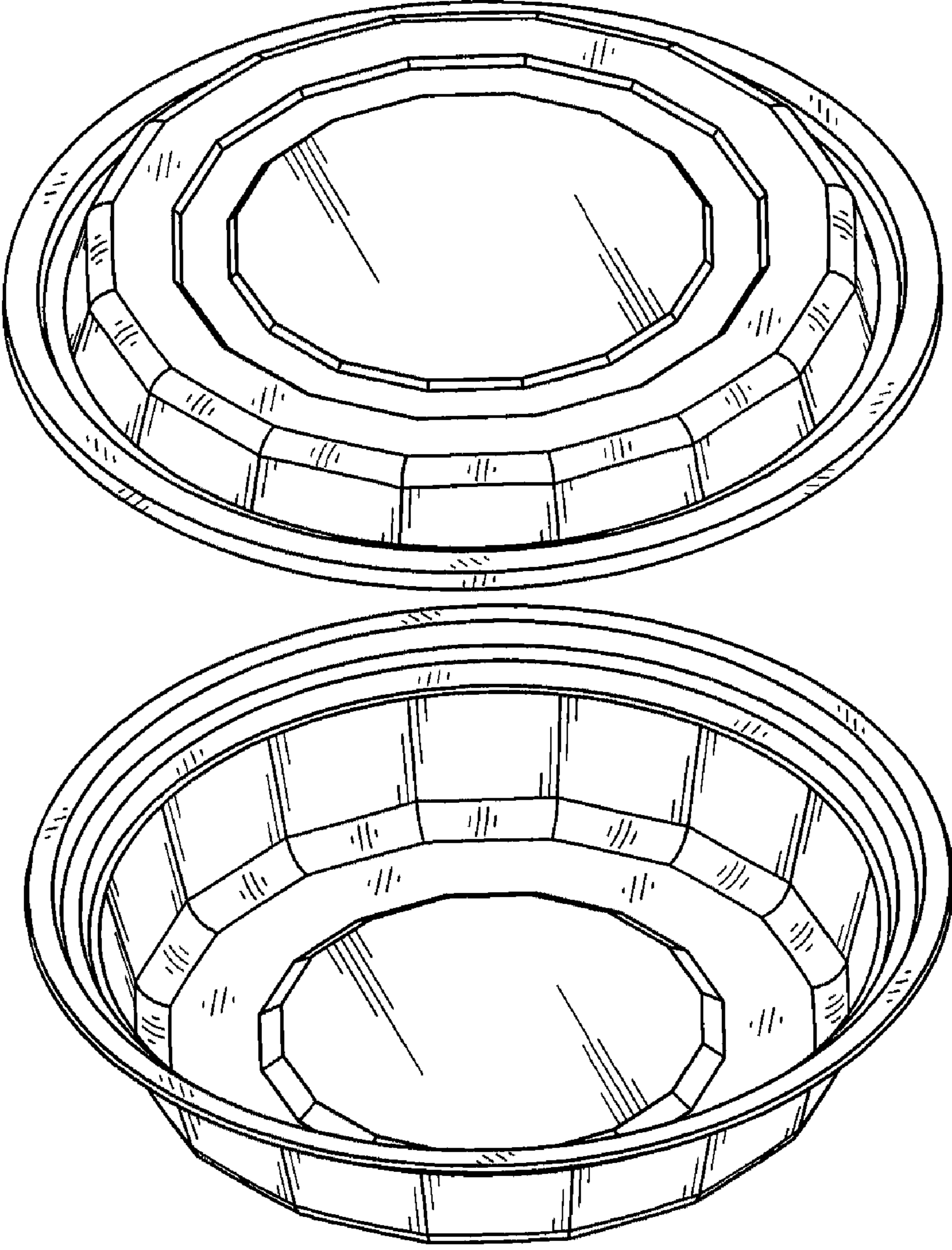


FIG. 7

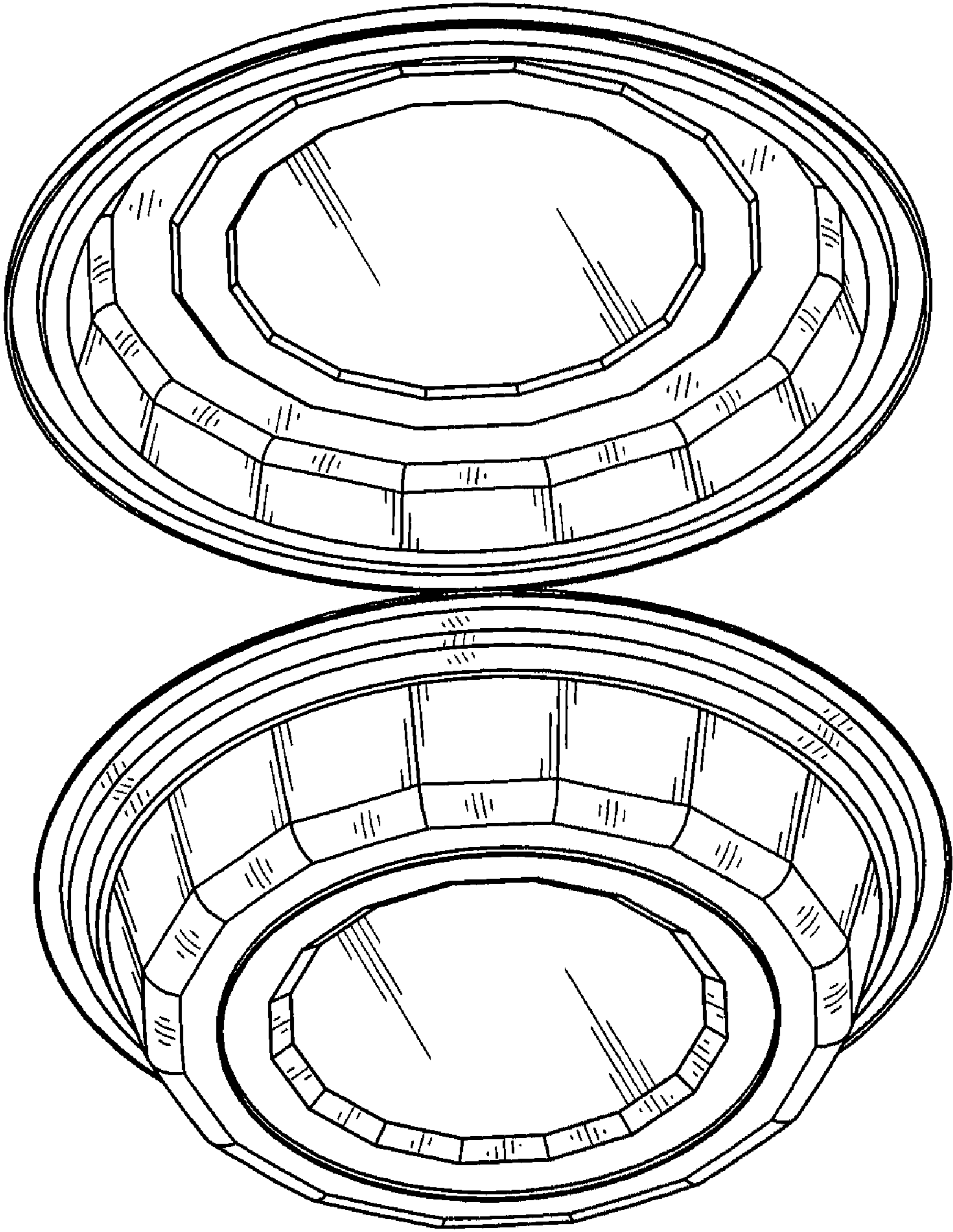


FIG. 8

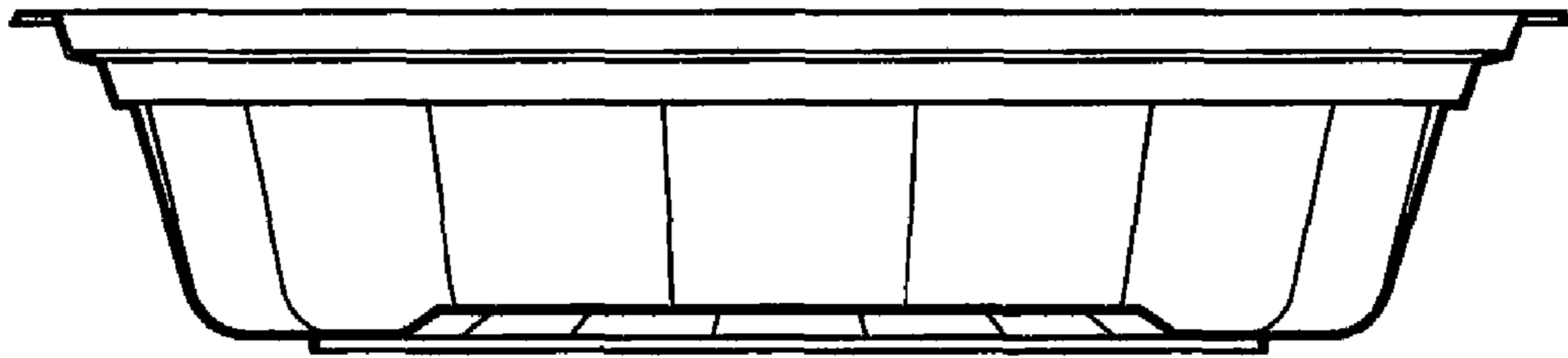
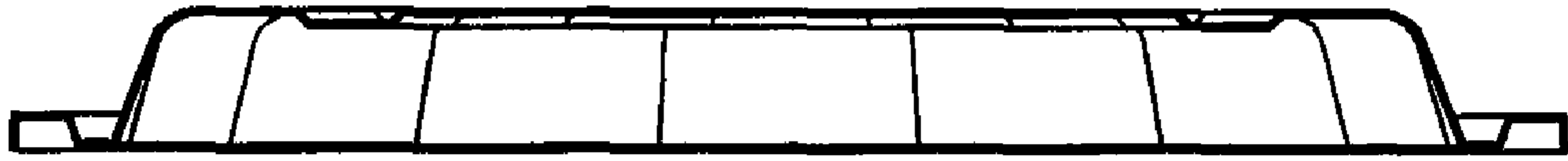


FIG. 9