



US00D677155S

(12) **United States Design Patent**
Miller et al.

(10) **Patent No.:** **US D677,155 S**
(45) **Date of Patent:** **** Mar. 5, 2013**

(54) **PLATE**
(75) Inventors: **Amanda Miller**, Minneapolis, MN (US);
Kent D. Katterheinrich, St. Anthony,
MN (US)
(73) Assignee: **Target Brands, Inc.**, Minneapolis, MN
(US)
(**) Term: **14 Years**

6,568,532 B1 * 5/2003 Leach 206/457
D516,858 S * 3/2006 Henry et al. D7/359
D540,111 S * 4/2007 Nichols et al. D7/354
D542,083 S * 5/2007 Nichols et al. D7/359
D557,553 S * 12/2007 Sarnoff D7/354
D557,987 S 12/2007 Hoehne
D600,550 S 9/2009 King
D602,352 S 10/2009 Pendergrass et al.
D603,255 S 11/2009 King
D603,256 S 11/2009 King
D605,896 S 12/2009 Zalewski et al.
D609,509 S 2/2010 Hrovat

(21) Appl. No.: **29/420,477**

* cited by examiner

(22) Filed: **May 9, 2012**

Primary Examiner — Derrick Holland

Assistant Examiner — Lauren Calve

(51) **LOC (9) Cl.** **09-03**

(74) *Attorney, Agent, or Firm* — Griffiths & Seaton PLLC

(52) **U.S. Cl.** **D9/424**

(58) **Field of Classification Search** D9/414,
D9/415, 416, 423, 424, 425, 430, 431, 432,
D9/439, 440, 455, 506, 518, 522, 523, 529,
D9/530, 544, 545, 553, 564, 566, 763, 753,
D9/757, 760, 761, 764, 772, 773, 776; 206/216,
206/232, 470, 461, 463, 469, 543, 557, 771,
206/806; D7/359, 500, 514, 602, 629
See application file for complete search history.

(57) **CLAIM**

The ornamental design for a plate, as shown and described.

DESCRIPTION

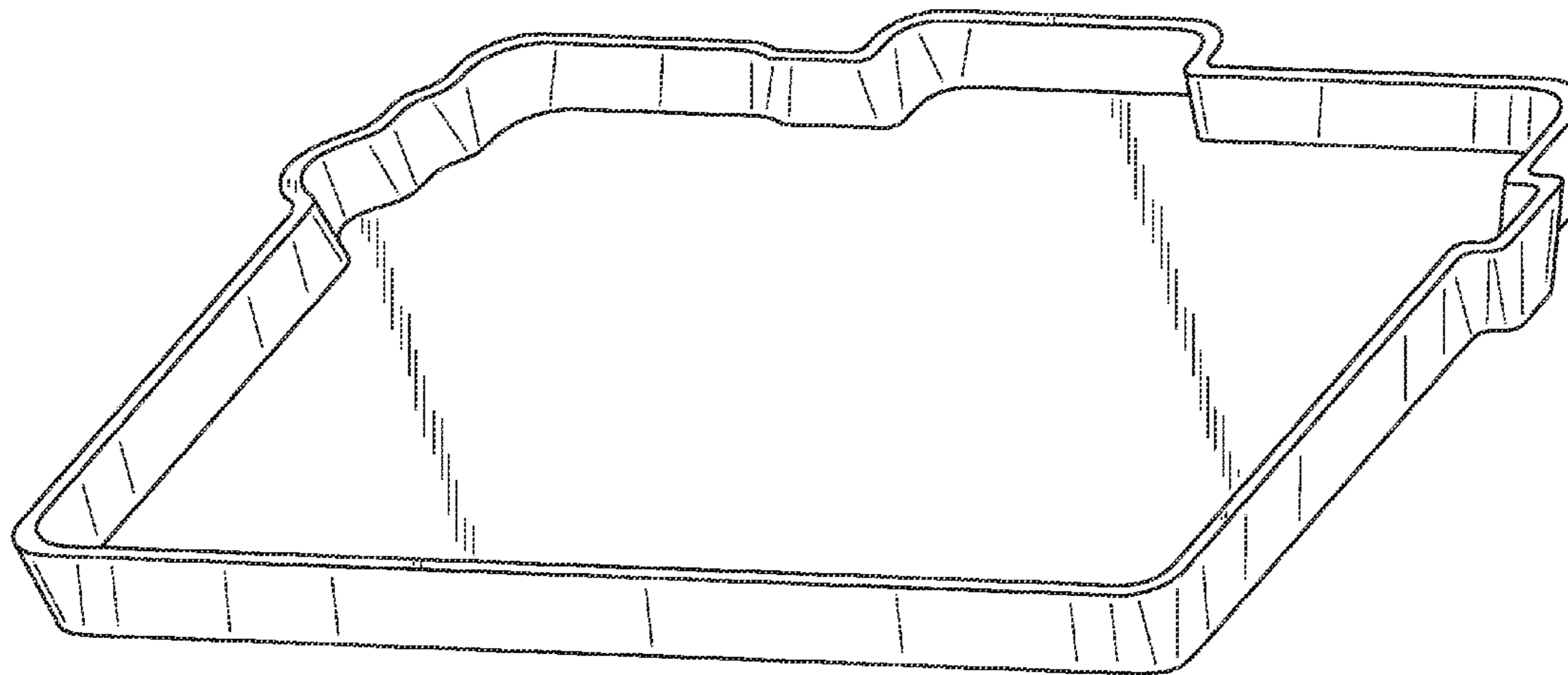
FIG. 1 is a front, top perspective view of a plate showing our new design;
FIG. 2 is a rear view thereof;
FIG. 3 is a front view thereof;
FIG. 4 is a left side view thereof;
FIG. 5 is a right side view thereof;
FIG. 6 is a top view thereof; and,
FIG. 7 is a bottom view thereof.
The broken lines showing of a bottom rib represents unclaimed subject matter and forms no part of the claimed design.

(56) **References Cited**

U.S. PATENT DOCUMENTS

D241,196 S 8/1976 Dunchock
D251,228 S 3/1979 Block et al.
D338,595 S 8/1993 Cafarella et al.
D338,596 S 8/1993 Cafarella et al.
D380,152 S * 6/1997 Correll D9/430

1 Claim, 5 Drawing Sheets



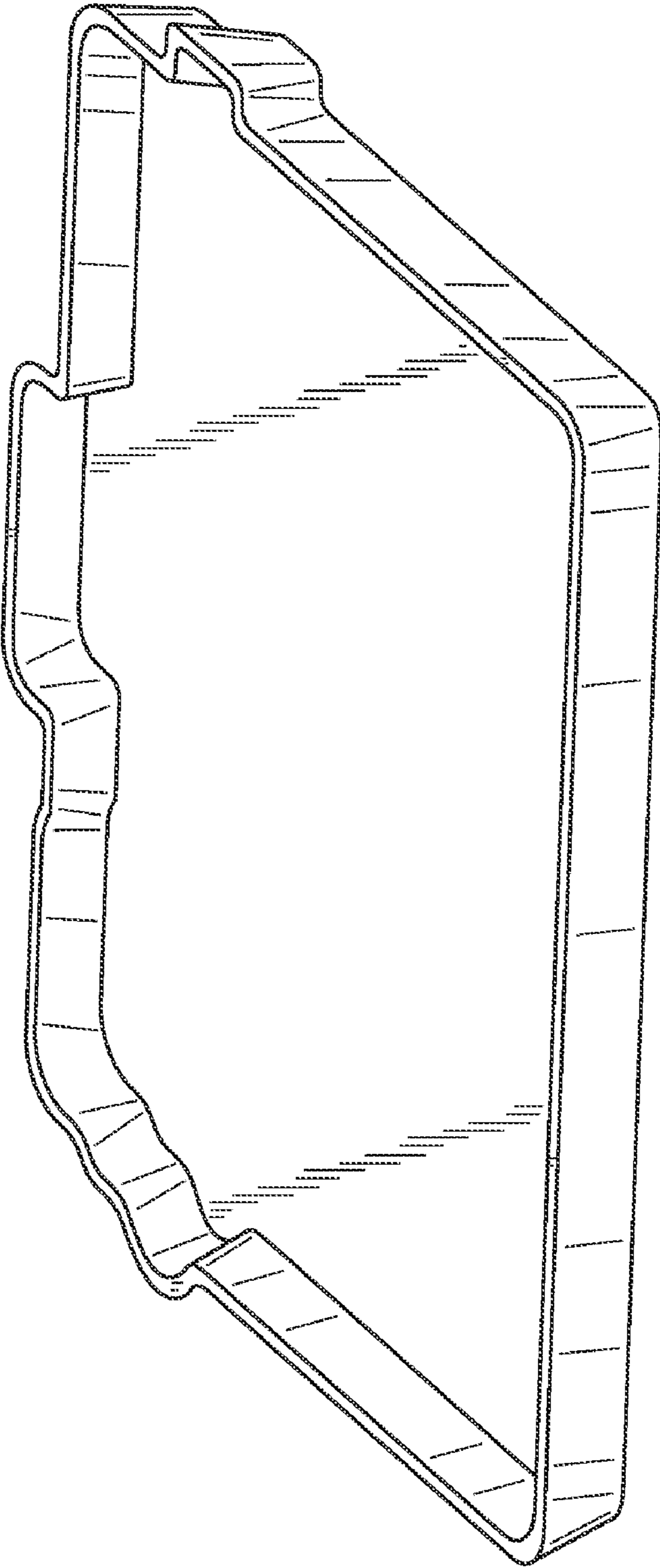


FIG. 1

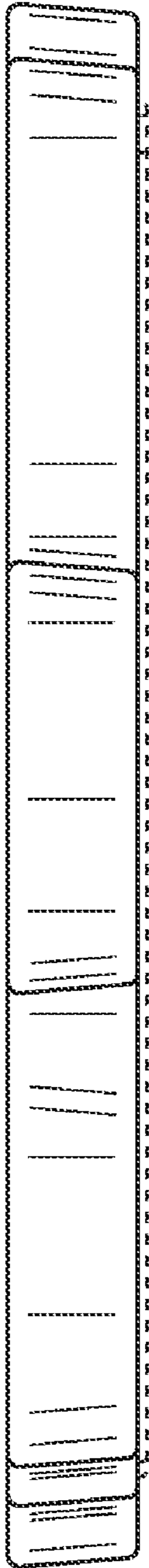


FIG. 2



FIG. 3



FIG. 4

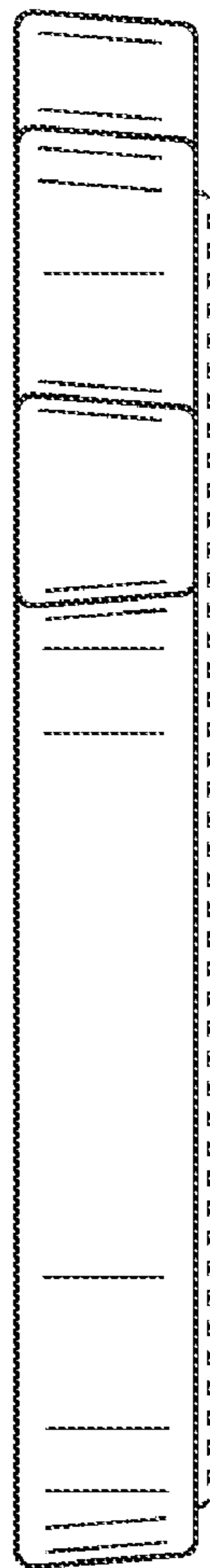


FIG. 5

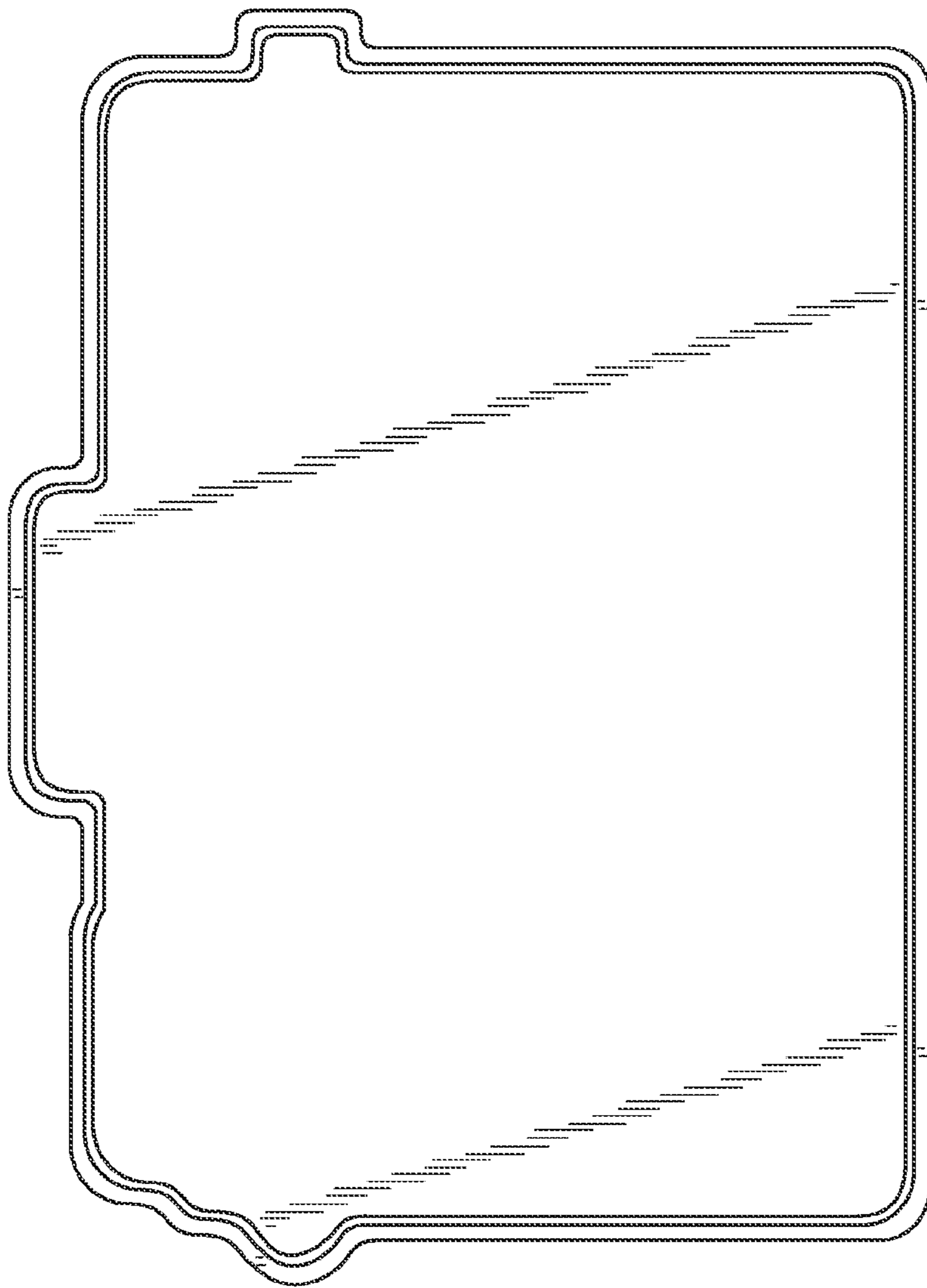


FIG. 6

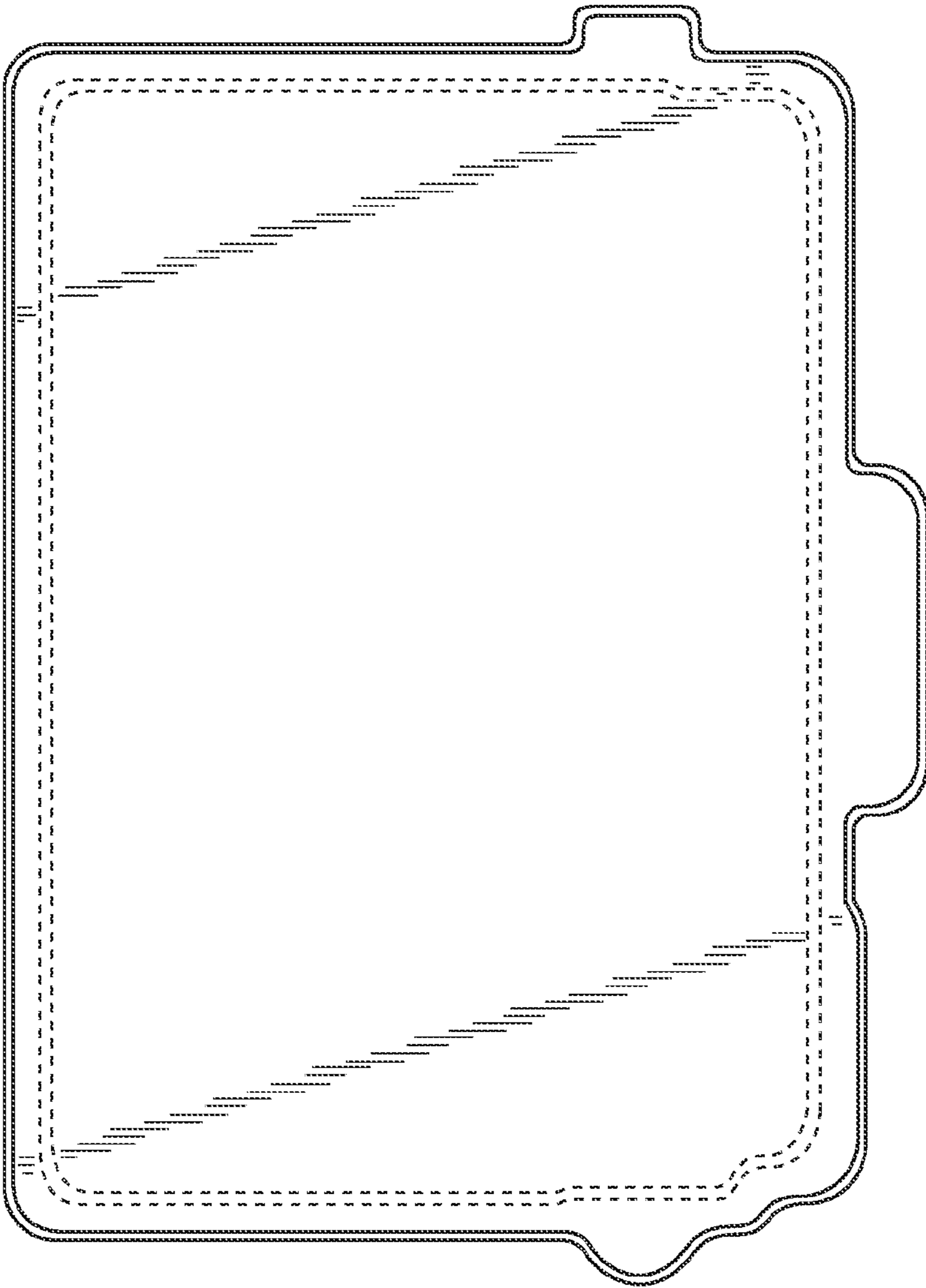


FIG. 7